



PARTS LIST FOR  
***WCP-30AB-0M10*** (AFTER SERIAL #30001104)  
***WCP-30AB-0M30***  
WATER RECYCLING TREATMENT SYSTEM

Congratulations on the purchase of your new Mi-T-M water treatment system! This parts listing has been compiled for your benefit. You can be assured your Mi-T-M water treatment system was constructed and designed with quality and performance in mind. Each component has been rigorously tested to insure the highest level of acceptance.

The contents of this parts listing are based on the latest product information available at the time of publication. Mi-T-M reserves the right to make changes in price, color, materials, equipment, specifications or models at any time without notice.

### **WARNING**

THIS IS A PROFESSIONAL WATER TREATMENT SYSTEM. CAUTION SHOULD BE OBSERVED WHEN USING OR REPAIRING THIS UNIT! READ AND FOLLOW THE SAFETY WARNINGS LISTED BELOW BEFORE ATTEMPTING ANY REPAIRS ON THIS WATER TREATMENT SYSTEM!

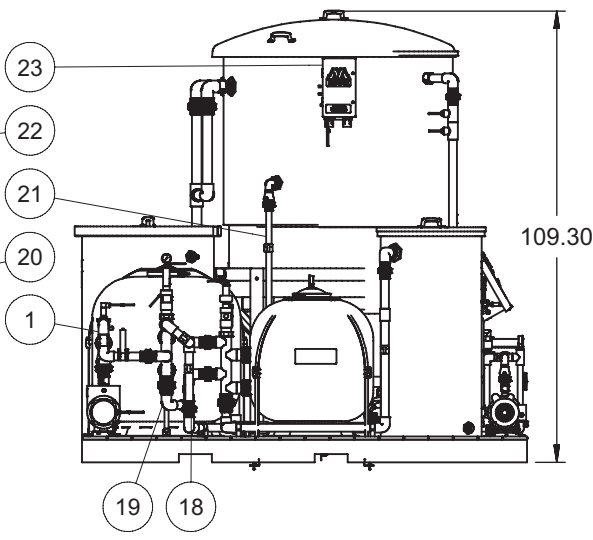
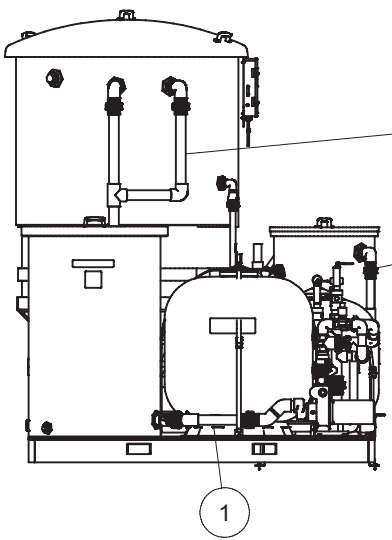
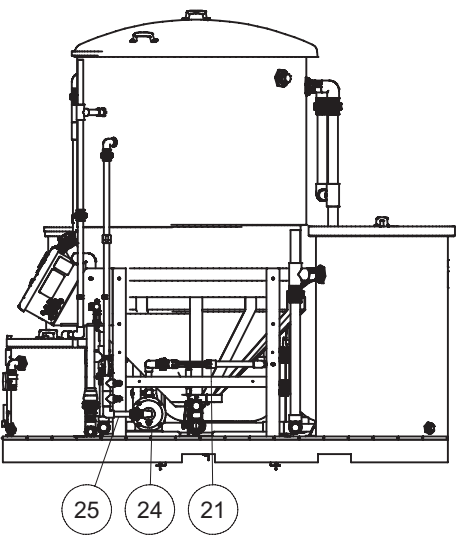
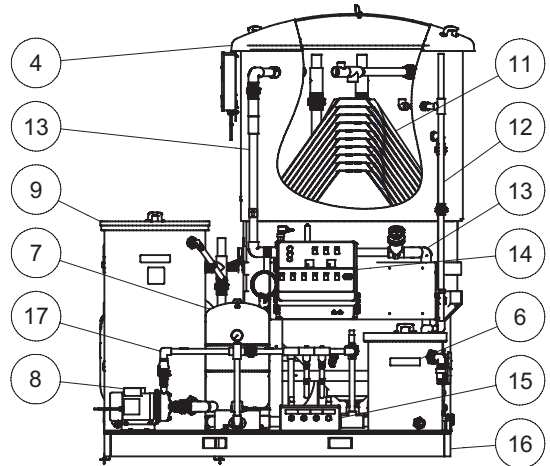
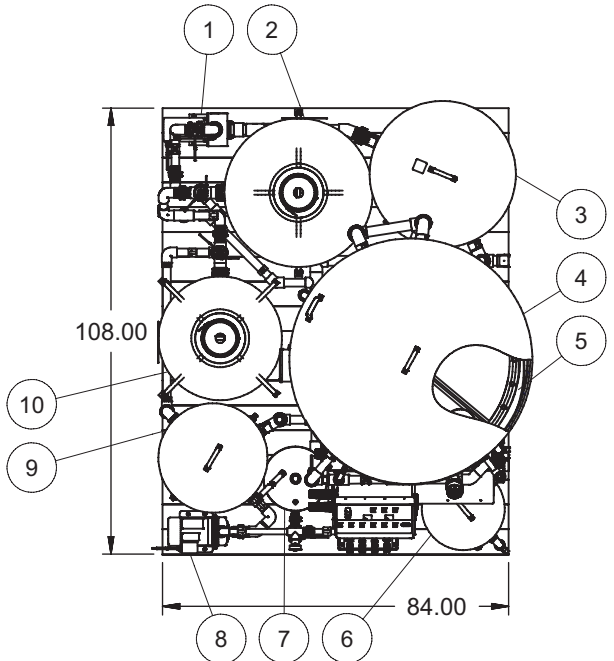
### **SAFETY WARNINGS**

1. Serious injury or death could occur if the water treatment system is not properly grounded. Your water treatment system is powered by electricity and may cause electric shock or electrocution if not installed properly. Installation to this unit, including all electrical connections, must comply with all local, state and national codes. Any electrical wiring or repairs performed on this water treatment system should be done by Authorized Service Personnel in accordance with National and Local electrical codes.
2. NEVER alter or modify the equipment. Use only genuine Mi-T-M parts for repair of your water treatment system. Failure to do so can cause hazardous operating conditions and will VOID warranty.
3. Know how to stop and bleed pressures quickly. Be thoroughly familiar with controls. Do not operate without protective cover/guards. Follow the maintenance instructions specified in your operator's manual.
4. Before servicing, ALWAYS shut off the water and the unit. Allow the unit to cool down. NEVER assume the water treatment system is safe to work on just because it is not operating. It could restart at any time! ALWAYS disconnect from the power source. Service in a clean, dry flat area.
5. Be especially careful it properly dispose of any flammable materials. Consult Materials Safety Data Sheets for safe handling of chemicals used with your system, especially oxidizers and acids.

## Table of Contents

|  |    |
|--|----|
| MAIN ASSEMBLY (AFTER SERIAL #30000122) .....                               | 4  |
| TANK STAND ASSEMBLY (AFTER SERIAL #30000122).....                          | 6  |
| PLUMBING: INLET ASSEMBLY (AFTER SERIAL #30000122).....                     | 8  |
| CLARIFIER TANK ASSEMBLY (AFTER SERIAL #30000122).....                      | 10 |
| PLUMBING: OZONE PUMP INLET ASSEMBLY (AFTER SERIAL #30000122).....          | 14 |
| OZONE PUMP ASSEMBLY (AFTER SERIAL #30000122) .....                         | 15 |
| OZONE PUMP (3-0186) (SINGLE PHASE).....                                    | 16 |
| OZONE PUMP (3-0322) (THREE PHASE).....                                     | 18 |
| PLUMBING: OZONE PUMP OUTLET ASSEMBLY (AFTER SERIAL #30000122).....         | 19 |
| PLUMBING: OIL DECANTER ASSEMBLY (AFTER SERIAL #30000122) .....             | 20 |
| OUTLET RING ASSEMBLY (AFTER SERIAL #30000122) .....                        | 21 |
| PLUMBING: CLARIFIER TANK OUTLET ASSEMBLY (AFTER SERIAL #30000122).....     | 22 |
| HOLDING TANK ASSEMBLY (AFTER SERIAL #30000122) .....                       | 23 |
| FILTER PUMP ASSEMBLY (AFTER SERIAL #30001104).....                         | 24 |
| FILTER PUMP (3-0329) (SINGLE PHASE) .....                                  | 26 |
| FILTER PUMP (3-0319) (THREE PHASE) .....                                   | 27 |
| MULTI-MEDIA FILTER ASSEMBLY (AFTER SERIAL #3001104) .....                  | 28 |
| VALVE ASSEMBLY (AFTER SERIAL #30000122) .....                              | 29 |
| PLUMBING: MEDIA FILTER TO POLISHING FILTER (AFTER SERIAL #30000122).....   | 30 |
| POLISHING FILTER ASSEMBLY (AFTER SERIAL #30001104).....                    | 31 |
| PLUMBING: POLISHING FILTER TO PRODUCT TANK (AFTER SERIAL #30000122) .....  | 32 |
| PRODUCT TANK ASSEMBLY (AFTER SERIAL #30000389) .....                       | 34 |
| TRANSFER PUMP ASSEMBLY (AFTER SERIAL #30000389).....                       | 36 |
| TRANSFER PUMP.....   | 38 |
| PRESSURE TANK ASSEMBLY (AFTER SERIAL #30000122).....                       | 40 |
| HOSE ASSEMBLIES .....  | 41 |
| PLUMBING: MANIFOLD ASSEMBLY (AFTER SERIAL #30001104) .....                 | 42 |
| MANIFOLD ASSEMBLY (AFTER SERIAL #30001104).....                            | 44 |
| OIL DECANTER ASSEMBLY (AFTER SERIAL #30000122).....                        | 46 |
| PLUMBING: DRAIN LINE ASSEMBLY (AFTER SERIAL #30000122).....                | 48 |
| PH / ORP PUMP (3-0316) (AFTER SERIAL #30001104).....                       | 50 |
| OZONE GENERATOR MOUNTING (AFTER SERIAL #30000122).....                     | 51 |
| CONTROL PANEL (AFTER SERIAL #30001104).....                                | 52 |
| CONTROL PANEL PLATE ASSEMBLY (SINGLE PHASE) (AFTER SERIAL #30001104) ..... | 54 |
| CONTROL PANEL PLATE ASSEMBLY (THREE PHASE) (AFTER SERIAL #30001104).....   | 56 |
| AIR CONTROL SYSTEM (3) .....   | 58 |
| SLUDGE BOX ASSEMBLY (855-0017).....  | 59 |
| SUMP PIT ASSEMBLY .....  | 60 |
| SUMP PUMP ASSEMBLY .....   | 61 |
| SUMP PUMP (3-0328) (SINGLE PHASE) .....                                    | 62 |
| SUMP PUMP (3-0317) (THREE PHASE) .....                                     | 63 |
| PNEUMATIC DIAGRAM .....  | 64 |
| NOTES .....  | 65 |
| LADDER DIAGRAM (SINGLE PHASE) .....  | 66 |
| WIRE DIAGRAM (SINGLE PHASE).....   | 67 |
| LADDER DIAGRAM (THREE PHASE) .....   | 68 |
| WIRE DIAGRAM (THREE PHASE).....  | 69 |

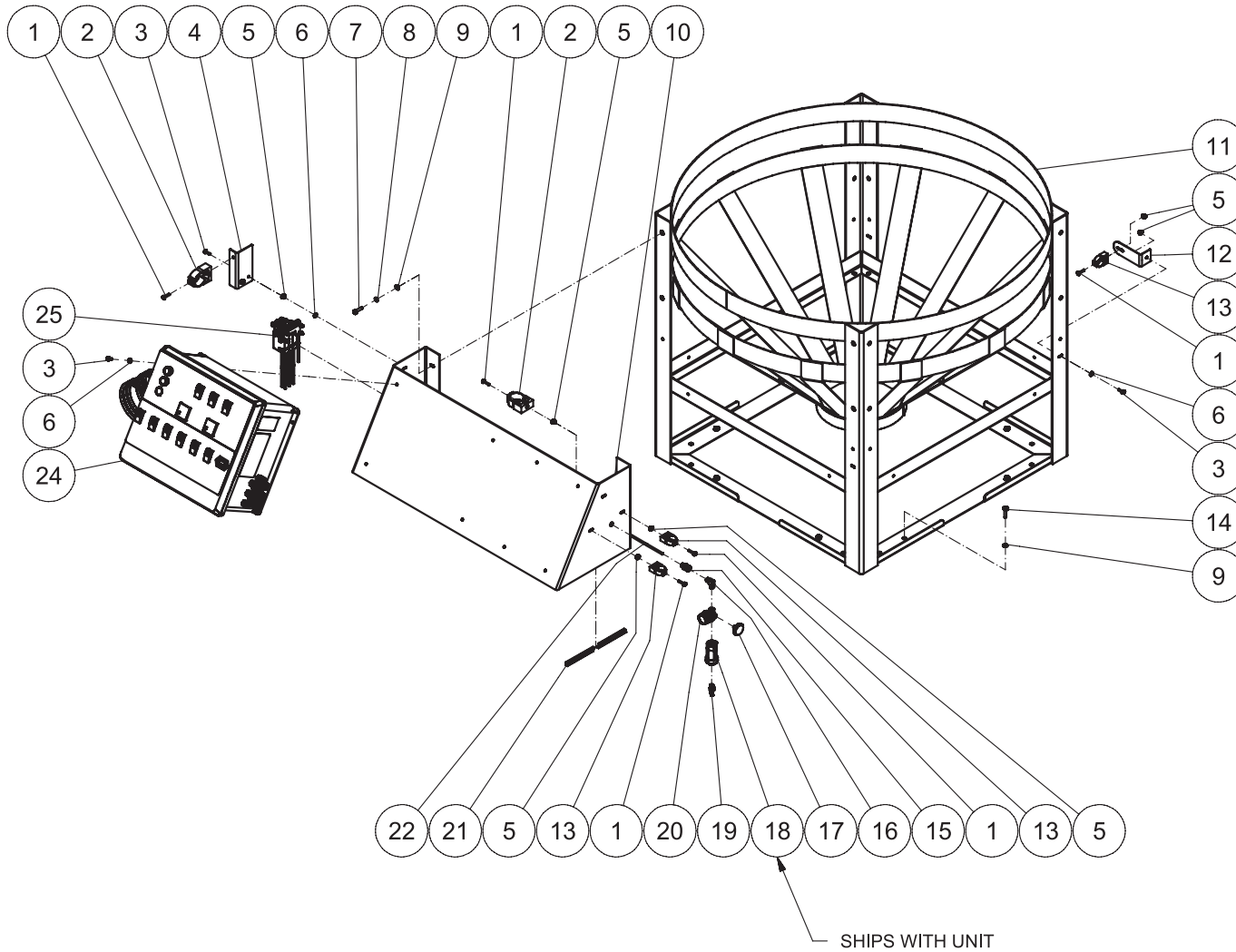
MAIN ASSEMBLY (AFTER SERIAL #30000122)



WCP-30AB-0M10 020117 MLK

| MAIN ASSEMBLY |   |          |     |
|---------------|---|----------|-----|
| ITEM          | DESCRIPTION                                   | PART #   | QTY |
| 1             | FILTER PUMP ASSEMBLY                          | N/A SEP. | 1   |
| 2             | 36" MULTIMEDIA FILTER ASSEMBLY                | N/A SEP. | 1   |
| 3             | HOLDING TANK ASSEMBLY                         | N/A SEP. | 1   |
| 4             | CLARIFIER TANK ASSEMBLY                       | N/A SEP. | 1   |
| 5             | OUTLET RING ASSEMBLY - 600 GAL CLARIFIER TANK | N/A SEP. | 1   |
| 6             | OIL DECANter ASSEMBLY                         | N/A SEP. | 1   |
| 7             | PRESSURE TANK ASSEMBLY                        | N/A SEP. | 1   |
| 8             | TRANSFER PUMP ASSEMBLY                        | N/A SEP. | 1   |
| 9             | PRODUCT TANK ASSEMBLY                         | N/A SEP. | 1   |
| 10            | 30" POLISHING FILTER ASSEMBLY                 | N/A SEP. | 1   |
| 11            | CONE ASSEMBLY - 600 GAL CLARIFIER             | N/A SEP. | 1   |
| 12            | OIL DECANter PLUMBING ASSY                    | N/A SEP. | 1   |
| 13            | INLET PLUMBING ASSEMBLY                       | N/A SEP. | 1   |
| 14            | TANK STAND ASSEMBLY                           | N/A SEP. | 1   |
| 15            | LOW PROFILE MANIFOLD ASSEMBLY                 | N/A SEP. | 1   |
| 16            | 7' X 9' PALLET                                | 35-0057  | 1   |
| 17            | MANIFOLD PLUMBING - WCP-30AB                  | N/A SEP. | 1   |
| 18            | DRAIN LINE ASSEMBLY                           | N/A SEP. | 1   |
| 19            | MULTIMEDIA FILTER TO POLISHING FILTER         | N/A SEP. | 1   |
| 20            | POLISHING FILTER TO PRODUCT TANK              | N/A SEP. | 1   |
| 21            | OZONE PUMP OUTLET                             | N/A SEP. | 1   |
| 22            | CLARIFIER TANK OUTLET ASSEMBLY                | N/A SEP. | 1   |
| 23            | OZONE GENERATOR MOUNTING DETAIL               | N/A SEP. | 1   |
| 24            | OZONE PUMP ASSEMBLY                           | N/A SEP. | 1   |
| 25            | OZONE PUMP INLET                              | N/A SEP. | 1   |

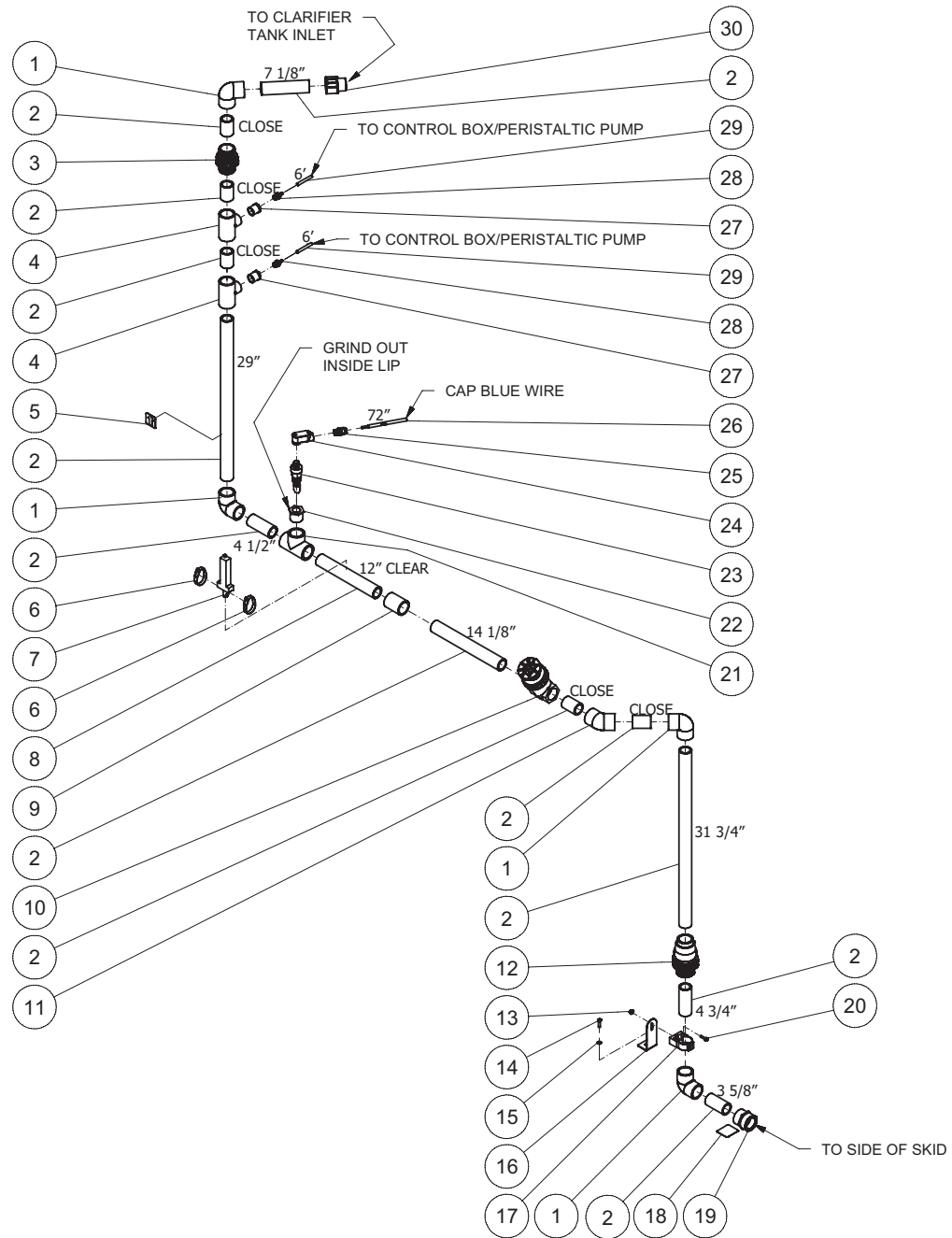
# TANK STAND ASSEMBLY (AFTER SERIAL #30000122)



TANK STAND ASSEMBLY - WCP-30AB 122016 MLK

| TANK STAND ASSEMBLY - WCP-30AB 122016 MLK |                             |            |     |
|---|-----------------------------|------------|-----|
| TANK STAND ASSEMBLY                       |                             |            |     |
| ITEM                                      | DESCRIPTION                 | PART #     | QTY |
| 1   | BOLT                        | 27-5018    | 5   |
| 2   | CLAMP                       | 42-0026    | 2   |
| 3   | BOLT                        | 27-5016    | 7   |
| 4   | BRACKET                     | 20-0569A01 | 1   |
| 5   | NUT                         | 30-5202    | 12  |
| 6   | WASHER                      | 28-0121    | 7   |
| 7   | BOLT                        | 27-8963    | 4   |
| 8   | LOCKWASHER                  | 29-1007    | 4   |
| 9   | WASHER                      | 28-0122    | 12  |
| 10  | CONTROL PANEL               | 20-0535A01 | 1   |
| 11  | TANK STAND                  | 20-0595A01 | 1   |
| 12  | CLAMP BRACKET               | 20-0555A01 | 1   |
| 13  | CLAMP                       | 42-0038    | 3   |
| 14  | BOLT                        | 27-5276    | 8   |
| 15  | BULKHEAD                    | 55-0092    | 1   |
| 16  | ELBOW                       | 23-0130    | 1   |
| 17  | PRESSURE GAUGE              | 22-0257    | 1   |
| 18  | AIR FILTER                  | AT-4007    | 1   |
| 19  | QUICK CONNECT               | 17-0049    | 1   |
| 20  | REGULATOR                   | 22-0326    | 1   |
| 21  | EDGING *(ONE FOOT REQUIRED) | 33-0020    | 1   |
| 22  | HOSE *(FIVE FEET REQUIRED)  | 15-0240    | 1   |
| 24  | CONTROL PANEL ASSEMBLY      | N/A SEP.   | 1   |
| 25  | AIR CONTROL VALVE ASSEMBLY  | N/A        | 1   |
| *MUST ORDER IN ONE FOOT LENGTHS           |                             |            |     |

# PLUMBING: INLET ASSEMBLY (AFTER SERIAL #30000122)

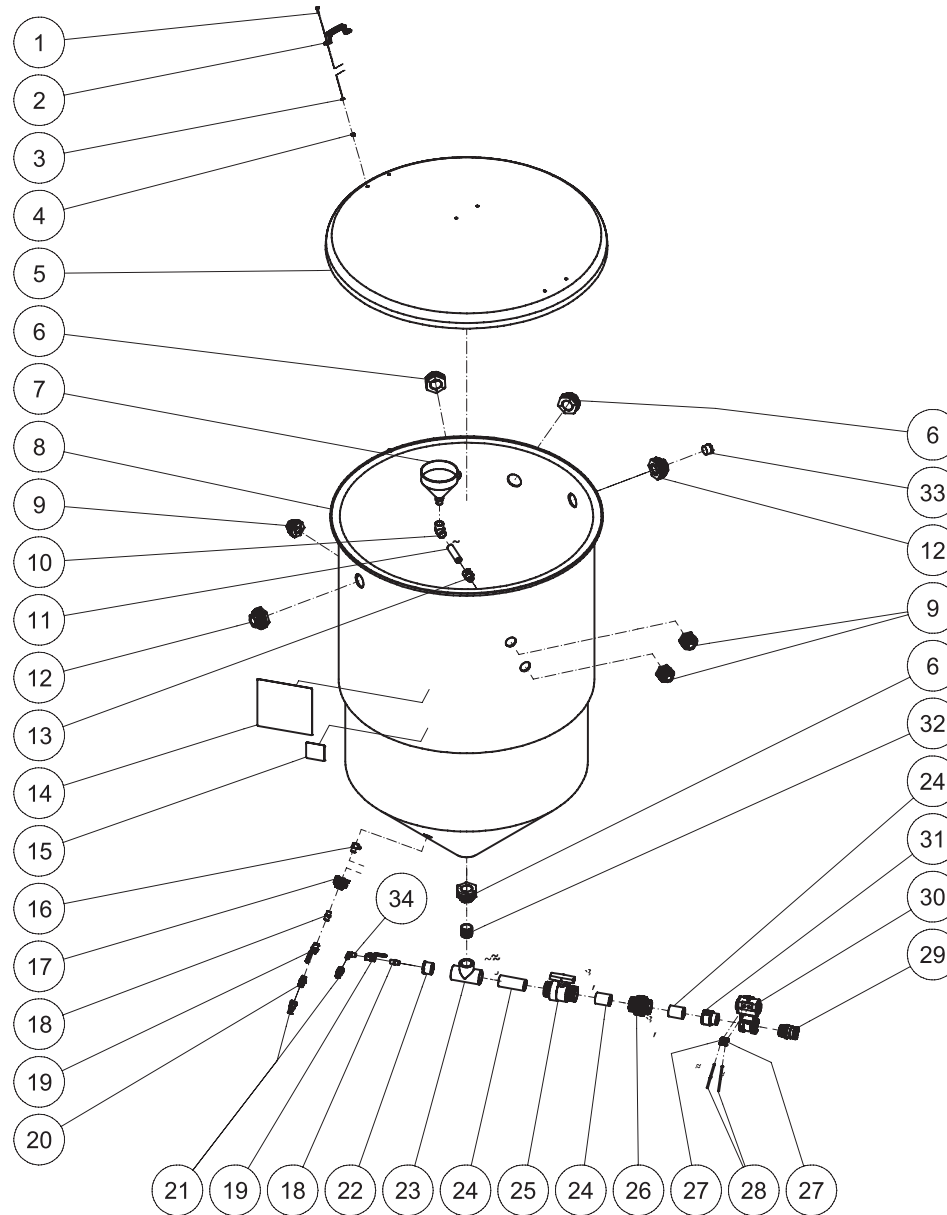


INLET PLUMBING ASSEMBLY - WCP-30AB 011317 MLK



| INLET PLUMBING ASSEMBLY - WCP-30AB 011317 MLK |   |            |     |
|---|---|------------|-----|
| PLUMBING: INLET ASSEMBLY                      |   |            |     |
| ITEM  | DESCRIPTION                             | PART #     | QTY |
| 1   | ELBOW                                   | 55-1609    | 4   |
| 2   | *PIPE 1 1/2" *(TEN FEET REQUIRED)       | 55-1600    | 1   |
| 3   | UNION - INCLUDES O-RING (25-0448)       | 55-1645    | 1   |
| 4   | TEE                                     | 55-1603    | 2   |
| 5   | DECAL                                   | N/A        | 1   |
| 6   | HOSE CLAMP                              | 42-0027    | 2   |
| 7   | FLOW METER                              | 55-0016    | 1   |
| 8   | *PIPE 1 1/2" CLEAR *(ONE FOOT REQUIRED) | 55-1685    | 1   |
| 9   | COUPLER                                 | 55-1614    | 1   |
| 10  | GATE VALVE                              | 55-1671    | 1   |
| 11  | ELBOW                                   | 55-1612    | 1   |
| 12  | CHECK VALVE                             | 55-1652    | 1   |
| 13  | NUT                                     | 30-5202    | 1   |
| 14  | BOLT                                    | 27-5277    | 1   |
| 15  | WASHER                                  | 28-0121    | 1   |
| 16  | CLAMP BRACKET                           | 20-0555A01 | 1   |
| 17  | CLAMP                                   | 42-0026    | 1   |
| 18  | DECAL - INLET (SEE 71-0098)             | N/A        | 1   |
| 19  | FEMALE ADAPTER                          | 55-1621    | 1   |
| 20  | BOLT                                    | 27-5018    | 1   |
| 21  | TEE                                     | 55-1601    | 1   |
| 22  | REDUCER                                 | 55-1629    | 1   |
| 23  | FLOW SWITCH                             | 32-0641    | 1   |
| 24  | ELBOW                                   | 32-0642    | 1   |
| 25  | STRAIN RELIEF                           | 32-0437    | 1   |
| 26  | CORD *(SIX FEET REQUIRED)               | 32-0075    | 1   |
| 27  | REDUCER                                 | 55-1229    | 2   |
| 28  | HOSE BARB                               | 55-0023    | 2   |
| 29  | CHEMICAL HOSE *(TWELVE FEET REQUIRED)   | 15-0021    | 1   |
| 30  | ADAPTER                                 | 55-1622    | 1   |
| -   | DECAL SET                               | 71-0098    | 1   |
| *MUST ORDER IN ONE FOOT LENGTHS               |   |            |     |

# CLARIFIER TANK ASSEMBLY (AFTER SERIAL #30000122)

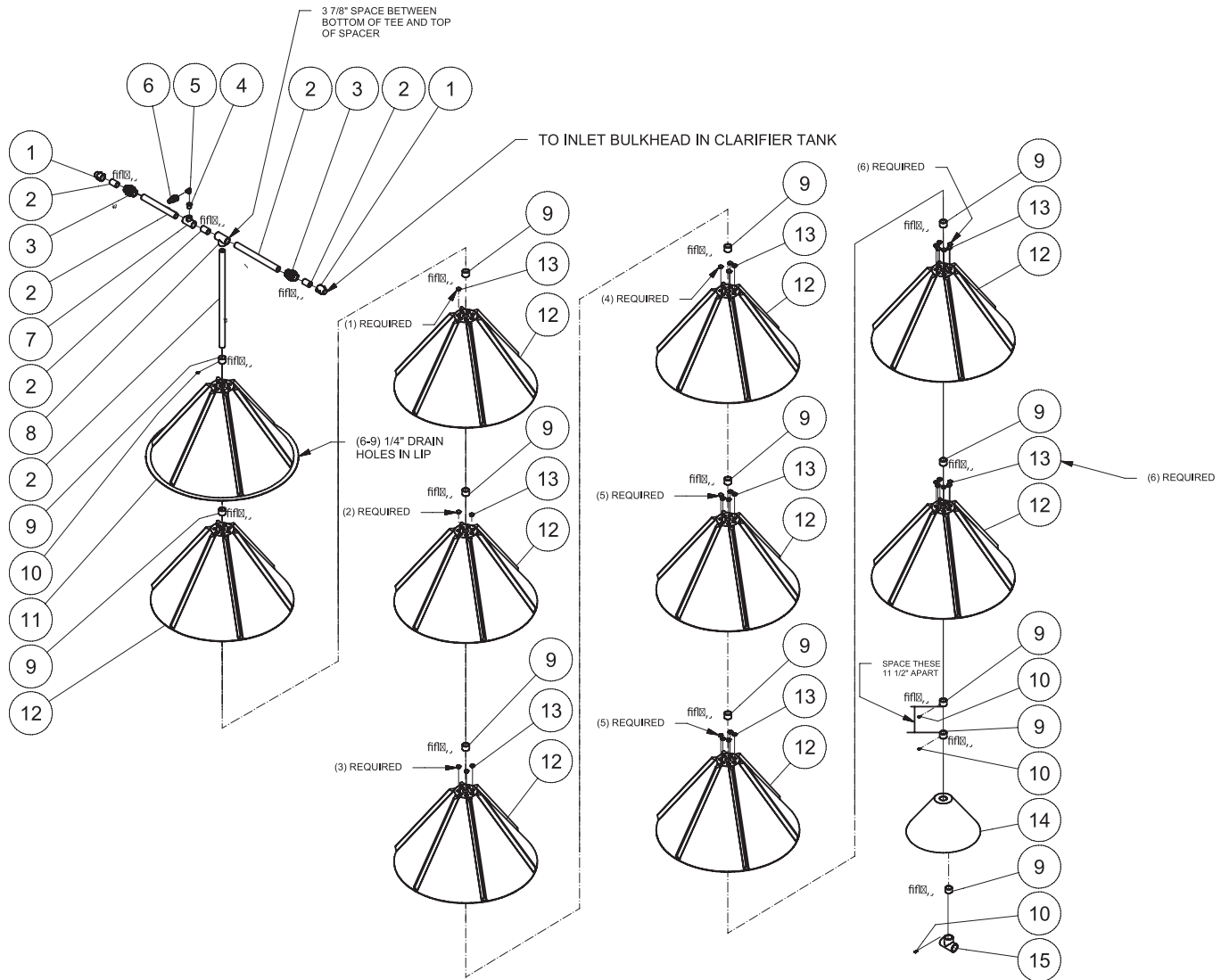


CLARIFIER TANK ASSEMBLY - WCP-30AB 030317MLK

| CLARIFIER TANK ASSEMBLY |  |         |     |
|-------------------------|--|---------|-----|
| ITEM                    | DESCRIPTION                            | PART #  | QTY |
| 1                       | BOLT                                   | 27-5018 | 6   |
| 2                       | HANDLE                                 | 7-0164  | 3   |
| 3                       | WASHER                                 | 28-0121 | 6   |
| 4                       | LOCKNUT                                | 30-5155 | 6   |
| 5                       | LID                                    | N/A     | 1   |
| 6                       | BULKHEAD (INC. 25-0481 GASKET)         | 55-1886 | 3   |
| 7                       | FUNNEL                                 | 33-0338 | 1   |
| 8                       | HOLE LOCATIONS - CLARIFIER TANK        | 12-0069 | 1   |
| 9                       | BULKHEAD (INC. 25-0482 GASKET)         | 55-1286 | 3   |
| 10                      | ELBOW                                  | 55-1210 | 1   |
| 11                      | *PIPE 1" *(ONE FOOT REQUIRED)          | 55-1200 | 1   |
| 12                      | BULKHEAD (INC. 25-0481 GASKET)         | 55-1686 | 2   |
| 13                      | MALE ADAPTER                           | 55-1222 | 1   |
| 14                      | DECAL (DEALER DECAL)                   | N/A     | 1   |
| 15                      | DECAL - NONPOTABLE WATER (SEE 71-0098) | N/A     | 1   |
| 16                      | ELBOW                                  | 23-0053 | 1   |
| 17                      | BULKHEAD (INC. 25-0506 GASKET)         | 55-0886 | 1   |
| 18                      | NIPPLE                                 | 23-0012 | 2   |
| 19                      | BALL VALVE                             | 22-0278 | 2   |
| 20                      | NIPPLE                                 | 23-0359 | 1   |
| 21                      | HOSE BARB                              | 23-0358 | 2   |
| 22                      | REDUCER BUSHING                        | 55-1832 | 1   |
| 23                      | TEE                                    | 55-1807 | 1   |
| 24                      | *PIPE 2" *(ONE FOOT REQUIRED)          | 55-1800 | 1   |
| 25                      | BALL VALVE                             | 55-1855 | 1   |
| 26                      | UNION - INCLUDES O-RING (25-0449)      | 55-1845 | 1   |
| 27                      | ELBOW                                  | 55-0089 | 2   |
| 28                      | HOSE *(SIX FEET REQUIRED)              | 15-0240 | 1   |
| 29                      | ADAPTER                                | 55-0054 | 1   |
| 30                      | PNEUMATIC VALVE                        | 22-0354 | 1   |
| 31                      | ADAPTER                                | 55-1822 | 1   |
| 32                      | NIPPLE                                 | 55-1874 | 1   |
| 33                      | PLUG                                   | 55-1640 | 1   |
| 34                      | ELBOW                                  | 23-0386 | 1   |
| -                       | DECAL SET                              | 71-0098 | 1   |

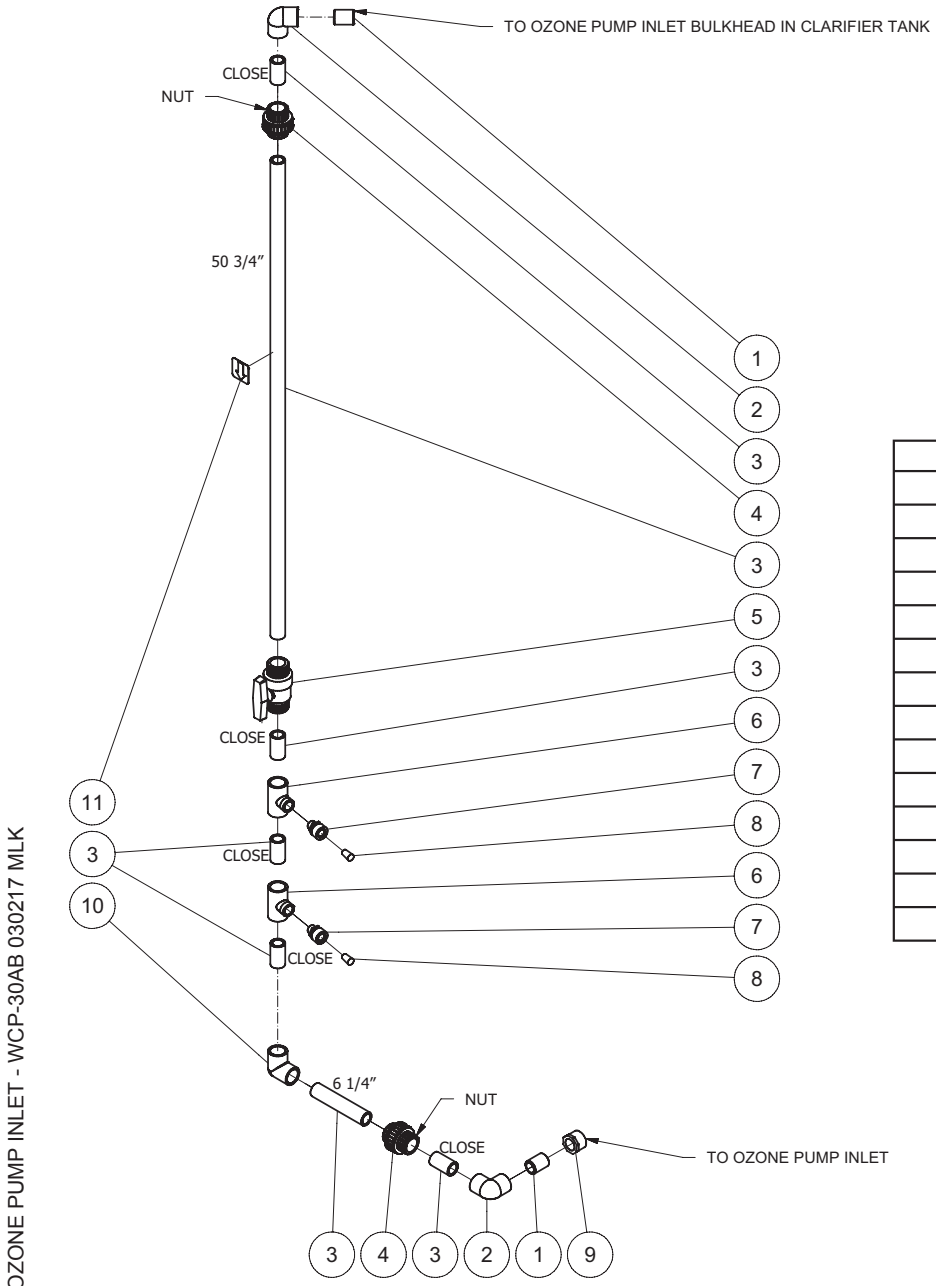
\*MUST ORDER IN ONE FOOT LENGTHS

# CONE ASSEMBLY (855-0023)



| 855-0023 012517 MLK             |                                     |         |     |
|---------------------------------|-------------------------------------|---------|-----|
| CONE ASSEMBLY                   |                                     |         |     |
| ITEM                            | DESCRIPTION                         | PART #  | QTY |
| 1                               | ADAPTER                             | 55-1622 | 2   |
| 2                               | *PIPE 1 1/2" *(SEVEN FEET REQUIRED) | 55-1600 | 1   |
| 3                               | UNION - INCLUDES O-RING (25-0448)   | 55-1645 | 2   |
| 4                               | REDUCER                             | 55-1229 | 1   |
| 5                               | ELBOW                               | 23-0386 | 1   |
| 6                               | CHECK VALVE                         | 55-0853 | 1   |
| 7                               | TEE                                 | 55-1603 | 1   |
| 8                               | TEE                                 | 55-1601 | 1   |
| 9                               | *PIPE 2" *(TWO FEET REQUIRED)       | 55-1800 | 1   |
| 10                              | BOLT                                | 27-3064 | 4   |
| 11                              | TOP CONE - 600 GAL.                 | 33-0297 | 1   |
| 12                              | COALESCING CONE - LOWER - 600 GAL   | 33-0331 | 9   |
| 13                              | PLUG HEYCO                          | 39-0120 | 32  |
| 14                              | CONE                                | 33-0334 | 1   |
| 15                              | TEE                                 | 55-1801 | 1   |
| *MUST ORDER IN ONE FOOT LENGTHS |                                     |         |     |

### PLUMBING: OZONE PUMP INLET ASSEMBLY (AFTER SERIAL #3000122)

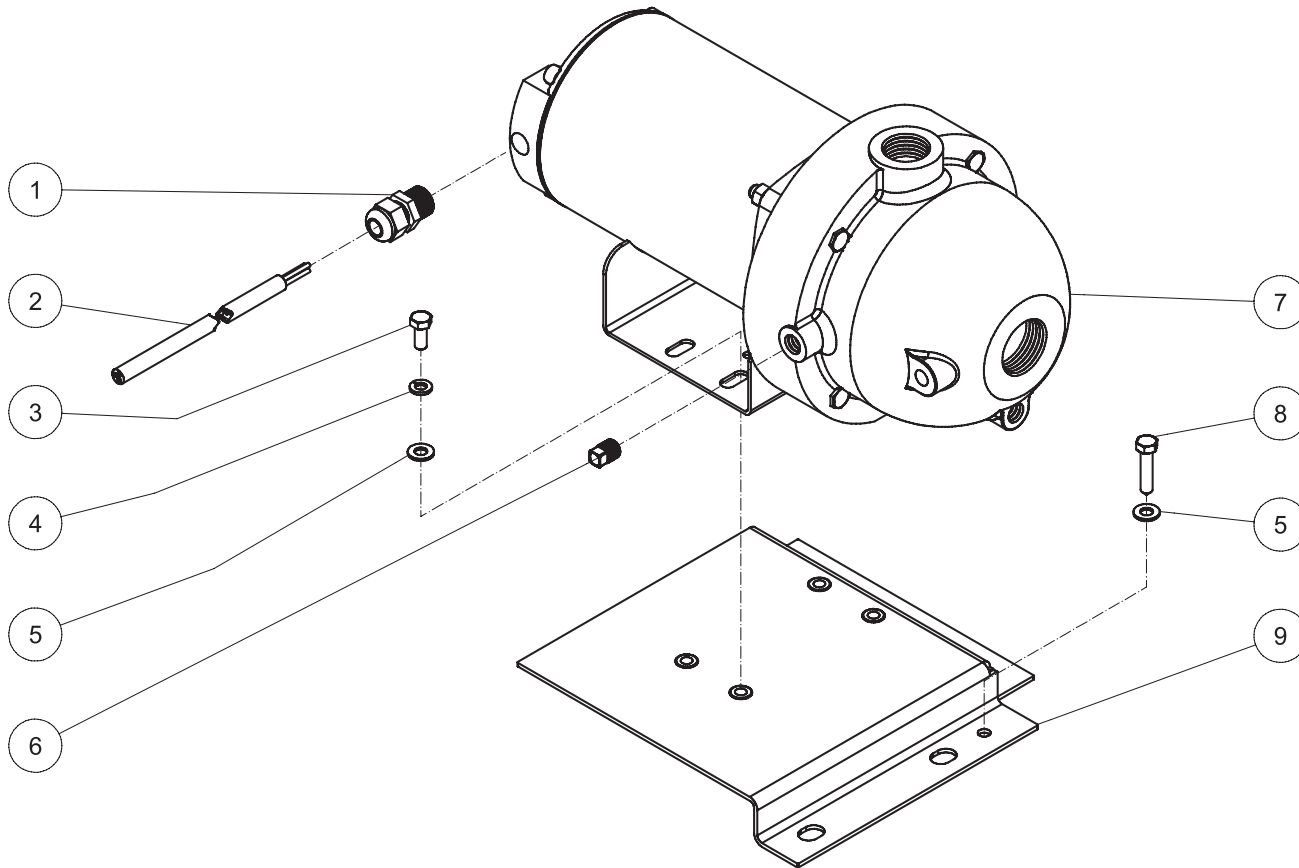


| OZONE PUMP INLET - WCP-30AB 030217 MLK |                                   |         |     |
|--|-----------------------------------|---------|-----|
| OZONE PUMP INLET                       |                                   |         |     |
| ITEM                                   | DESCRIPTION                       | PART #  | QTY |
| 1                                      | NIPPLE                            | 55-1274 | 2   |
| 2                                      | ELBOW                             | 55-1210 | 2   |
| 3                                      | *PIPE 1" *(SIX FEET REQUIRED)     | 55-1200 | 1   |
| 4                                      | UNION - INCLUDES O-RING (25-0447) | 55-1245 | 2   |
| 5                                      | BALL VALVE                        | 55-1255 | 1   |
| 6                                      | TEE                               | 55-1208 | 2   |
| 7                                      | STRAIN RELIEF                     | 32-0550 | 2   |
| 8                                      | PLUG                              | 32-1203 | 2   |
| 9                                      | REDUCER                           | 55-1433 | 1   |
| 10                                     | ELBOW                             | 55-1209 | 1   |
| 11                                     | DECAL                             | N/A     | 1   |

\*MUST ORDER IN ONE FOOT LENGTHS

OZONE PUMP INLET - WCP-30AB 030217 MLK

## OZONE PUMP ASSEMBLY (AFTER SERIAL #30000122)

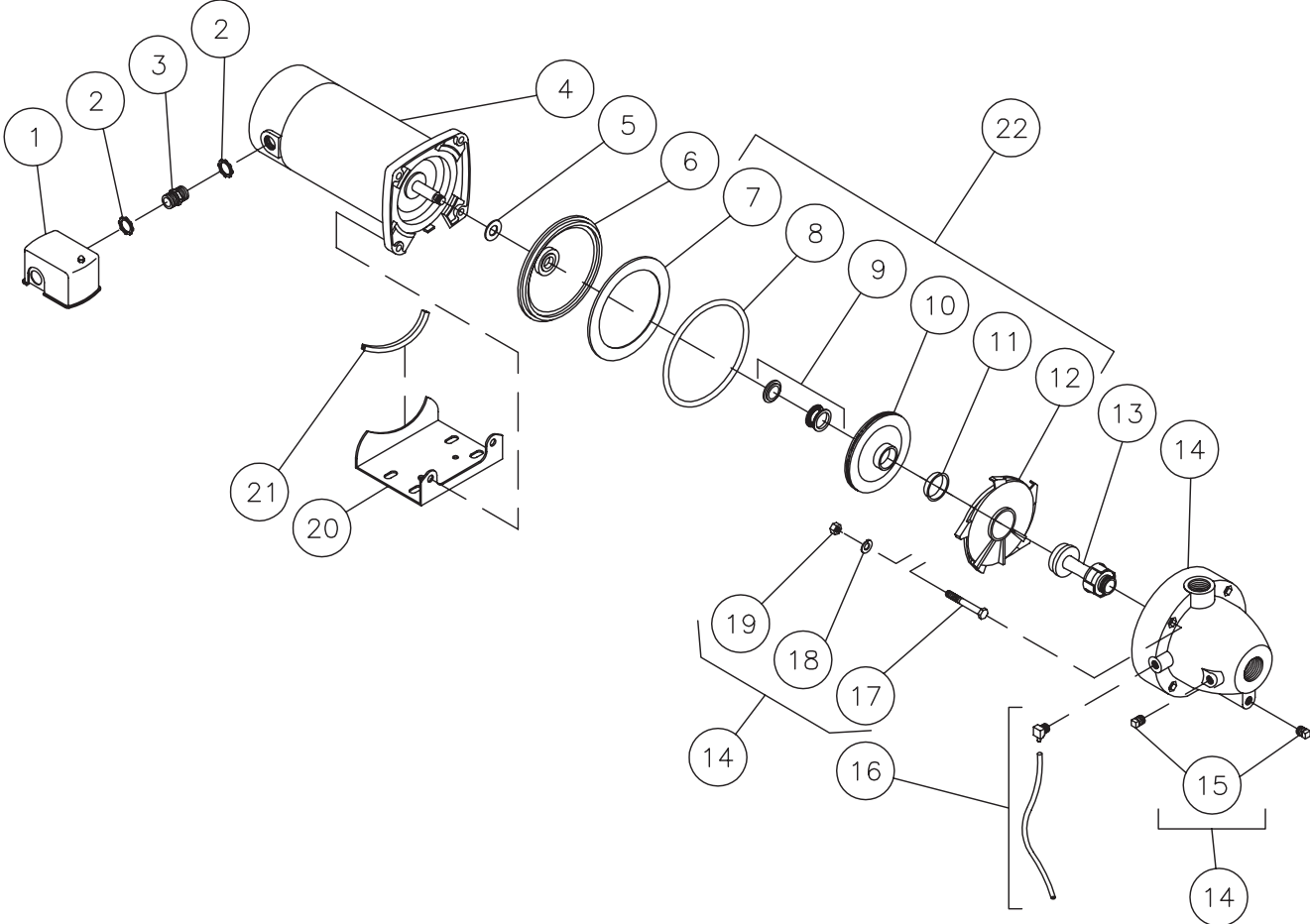


OZONE PUMP ASSY-WCP-30AB -012417 MLK

| OZONE PUMP ASSY-WCP-30AB -012417 MLK |                                  |            |     |
|--------------------------------------|----------------------------------|------------|-----|
| OZONE PUMP ASSEMBLY                  |                                  |            |     |
| ITEM                                 | DESCRIPTION                      | PART #     | QTY |
| 1                                    | STRAIN RELIEF                    | 32-0437    | 1   |
| 2                                    | CORD *(SIX FEET REQUIRED) (0M10) | 32-0074    | 1   |
| -                                    | CORD *(SIX FEET REQUIRED) (0M30) | 32-0247    | 1   |
| 3                                    | BOLT                             | 27-5066    | 4   |
| 4                                    | LOCKWASHER                       | 29-1007    | 4   |
| 5                                    | WASHER                           | 28-0122    | 8   |
| 6                                    | PLUG (0M10 ONLY)                 | 24-0009    | 1   |
| 7                                    | PUMP (0M10)                      | 3-0186     | 1   |
| -                                    | PUMP (0M30)                      | 3-0322     | 1   |
| 8                                    | BOLT                             | 27-5276    | 4   |
| 9                                    | PUMP MOUNT PLATE                 | 20-0522A01 | 1   |

\*MUST ORDER IN ONE FOOT LENGTHS

OZONE PUMP (3-0186) (SINGLE PHASE)

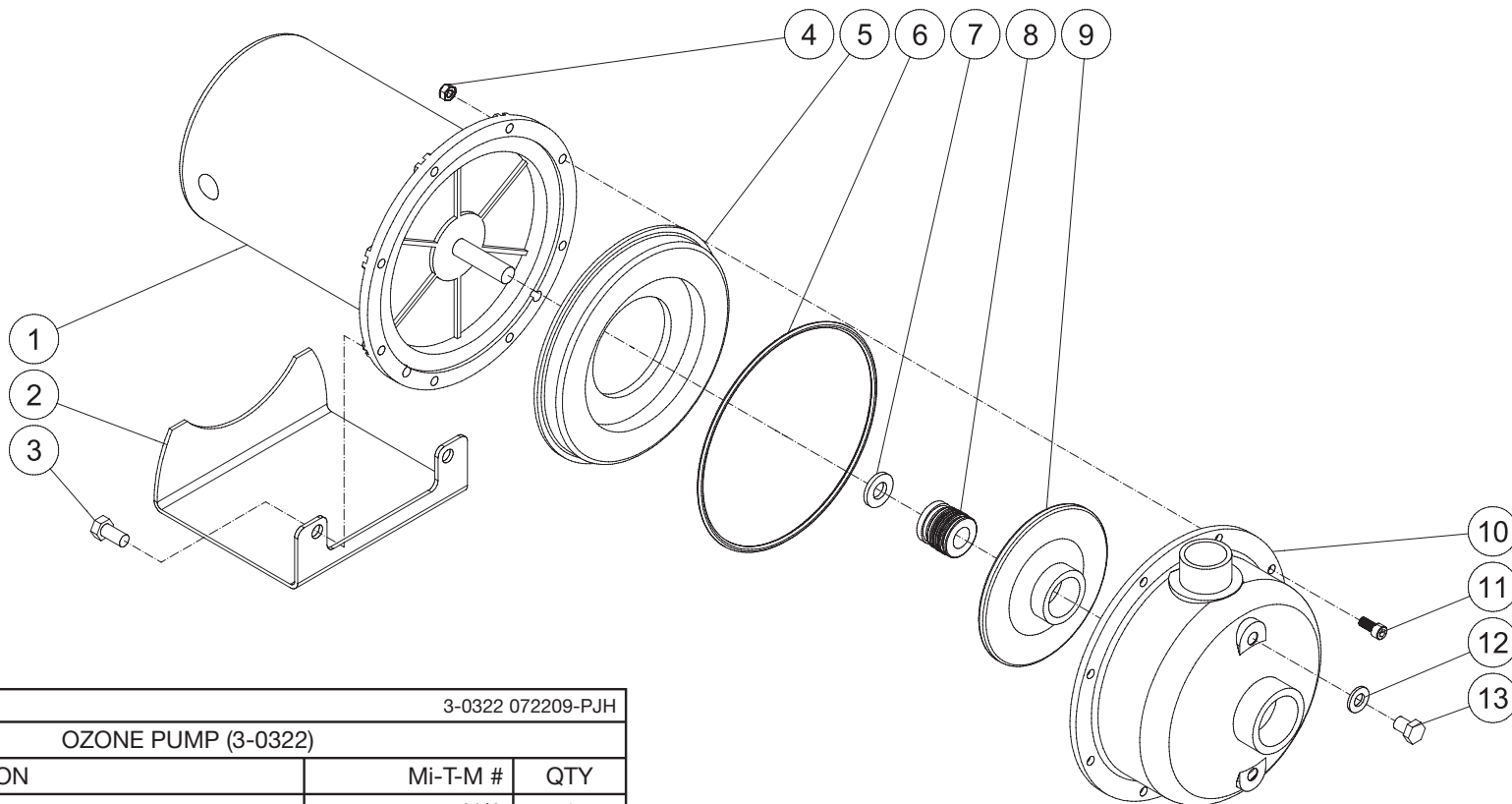




## OZONE PUMP (3-0186)

| REF. # | DESCRIPTION            | PART#    | QTY. | REF. # | DESCRIPTION                  | PART#   | QTY. |
|--------|------------------------|----------|------|--------|------------------------------|---------|------|
| 1      | PRESSURE SWITCH        | 22-0293  | 1    | 13     | VENTURI                      | 46-0899 | 1    |
| 2      | LOCKNUT                | 32-0108  | 2    | 14     | CASE                         | 46-0837 | 1    |
| 3      | FITTING                | 54-0040  | 1    | 15     | PLUG                         | 39-0109 | 2    |
| 4      | MOTOR                  | N/A      | 1    | 16     | HOSE                         | 15-0210 | 1    |
| 5      | RUBBER WASHER          | N/A      | 1    | 17     | BOLT                         | 27-8937 | 4    |
| 6      | SEAL PLATE             | 26-0214  | 1    | 18     | LOCK WASHER                  | 29-0008 | 4    |
| 7      | DISK                   | 46-0834  | 1    | 19     | NUT                          | 30-0006 | 4    |
| 8      | O-RING (SEE 70-0313)   | 25-0522  | 1    | 20     | BASE (INCLUDES REF. 21)      | 5-0144  | 1    |
| 9      | SEAL                   | 26-0215  | 1    | 21     | RUBBER PROTECTOR             | 33-0320 | 1    |
| 10     | IMPELLER (SEE 70-0313) | N/A SEP. | 1    | 22     | IMPELLER KIT (INCLUDES 7-12) | 70-0313 | 1    |
| 11     | WEAR RING              | 46-0835  | 1    |        | COMPLETE OZONE PUMP          | 3-0186  |      |
| 12     | DIFFUSER (SEE 70-0313) | N/A SEP. | 1    |        |                              |         |      |

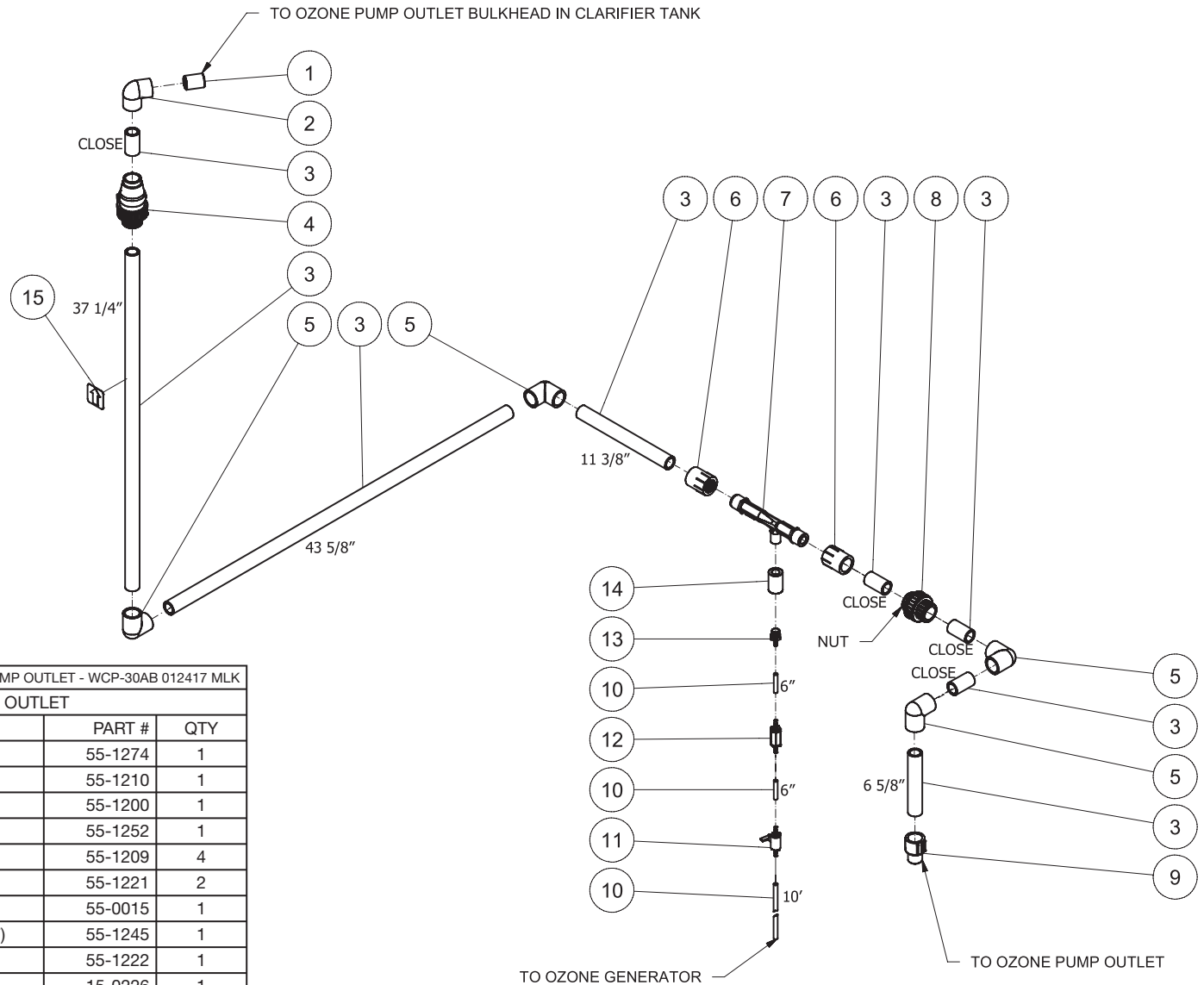
## OZONE PUMP (3-0322) (THREE PHASE)



| 3-0322 072209-PJH   |                          |          |     |
|---------------------|--------------------------|----------|-----|
| OZONE PUMP (3-0322) |                          |          |     |
| ITEM                | DESCRIPTION              | Mi-T-M # | QTY |
| 1                   | MOTOR                    | N/A      | 1   |
| 2                   | BASE                     | N/A      | 1   |
| 3                   | BOLT                     | 27-0116  | 2   |
| 4                   | NUT                      | 30-0057  | 8   |
| 5                   | SEAL PLATE               | N/A      | 1   |
| 6                   | O-RING                   | 25-0621  | 1   |
| 7                   | WATER SLINGER            | 46-1386  | 1   |
| 8                   | SHAFT SEAL               | 26-0354  | 1   |
| 9                   | IMPELLER                 | N/A      | 1   |
| 10                  | CASING/DIFFUSER ASSEMBLY | N/A      | 1   |
| 11                  | BOLT                     | 27-8401  | 8   |
| 12                  | WASHER                   | N/A      | 2   |
| 13                  | PLUG                     | N/A      | 2   |

3-0322 072209-PJH

## PLUMBING: OZONE PUMP OUTLET ASSEMBLY (AFTER SERIAL #30000122)

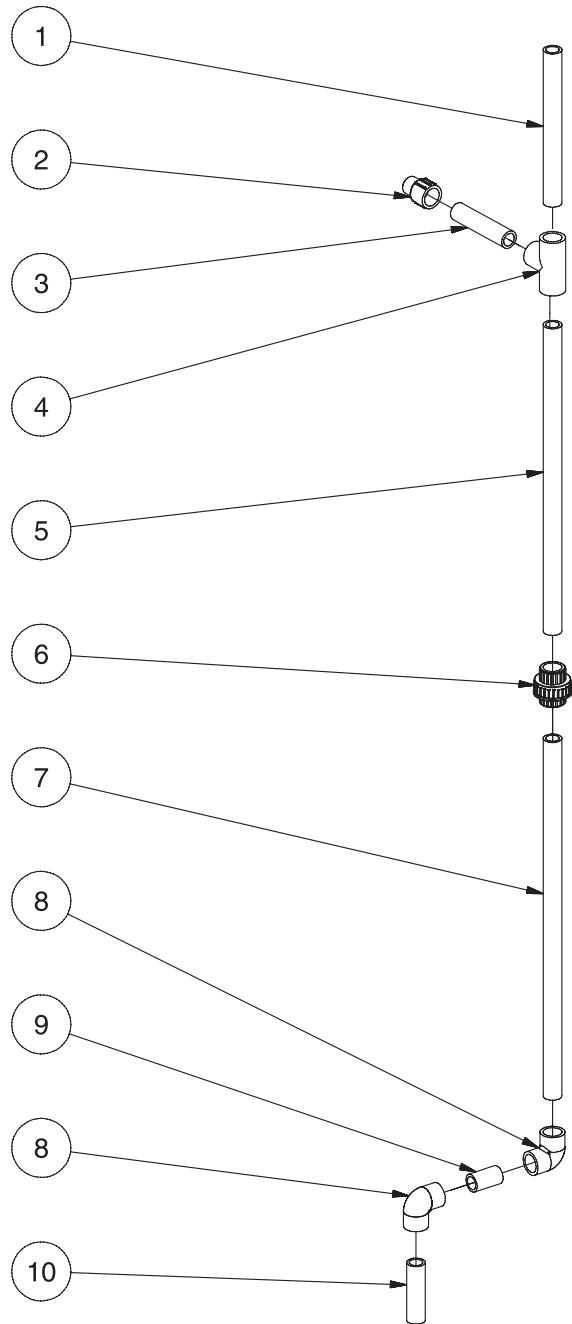


| OZONE PUMP OUTLET - WCP-30AB 012417 MLK |                                   |         |     |
|---|-----------------------------------|---------|-----|
| PLUMBING: OZONE PUMP OUTLET             |                                   |         |     |
| ITEM                                    | DESCRIPTION                       | PART #  | QTY |
| 1                                       | NIPPLE                            | 55-1274 | 1   |
| 2                                       | ELBOW                             | 55-1210 | 1   |
| 3                                       | *PIPE 1" *(NINE FEET REQUIRED)    | 55-1200 | 1   |
| 4                                       | CHECK VALVE                       | 55-1252 | 1   |
| 5                                       | ELBOW                             | 55-1209 | 1   |
| 6                                       | ADAPTER                           | 55-1221 | 2   |
| 7                                       | MAZZEI                            | 55-0015 | 1   |
| 8                                       | UNION - INCLUDES O-RING (25-0447) | 55-1245 | 1   |
| 9                                       | MALE ADAPTER                      | 55-1222 | 1   |
| 10                                      | HOSE *(ELEVEN FEET REQUIRED)      | 15-0226 | 1   |
| 11                                      | VALVE                             | 22-0074 | 1   |
| 12                                      | CHECK VALVE                       | 22-0286 | 1   |
| 13                                      | HOSE BARB                         | 55-0023 | 1   |
| 14                                      | COUPLER                           | 55-0815 | 1   |
| 15                                      | DECAL                             | N/A     | 1   |

\*MUST ORDER IN ONE FOOT LENGTHS

OZONE PUMP OUTLET - WCP-30AB 012417 MLK

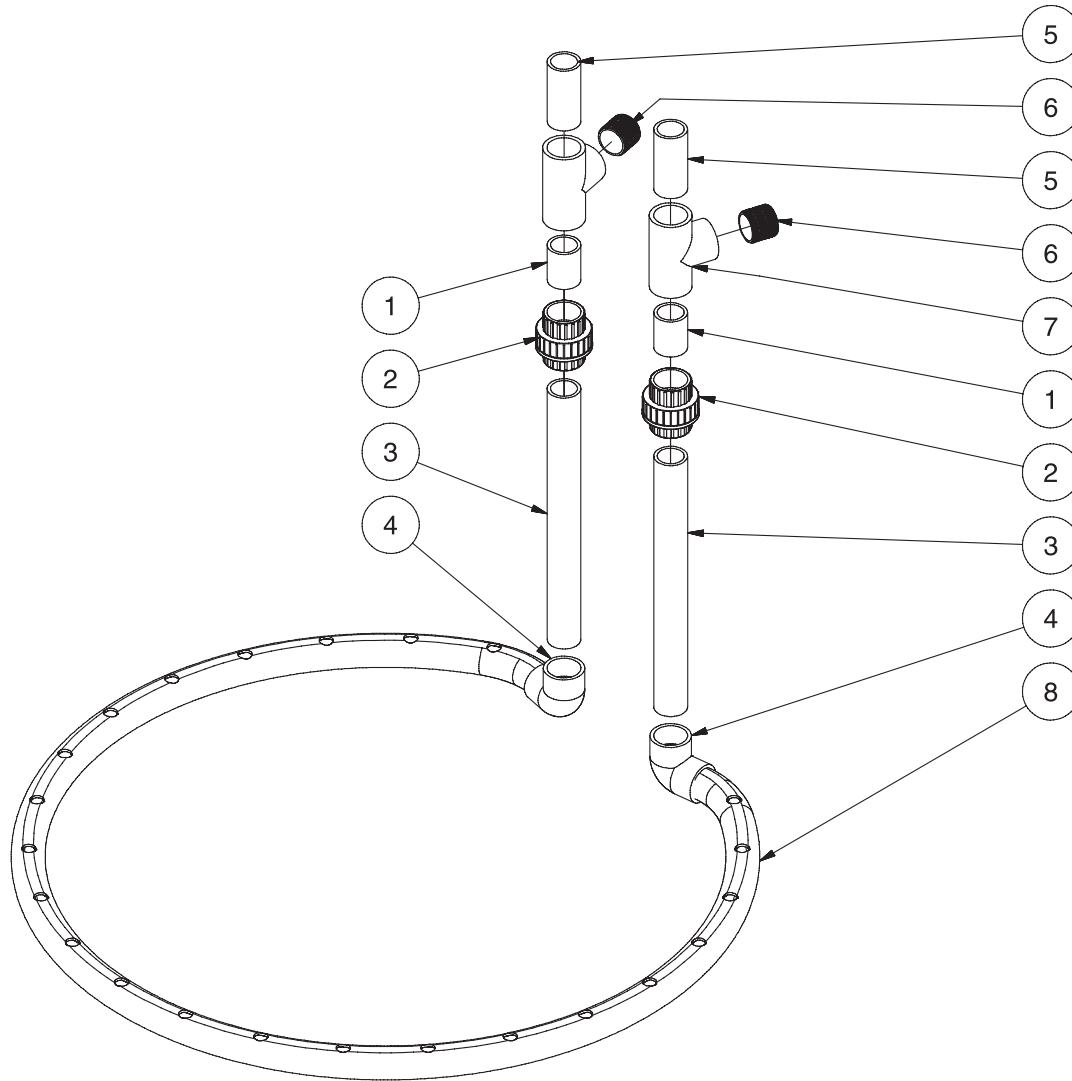
## PLUMBING: OIL DECANTER ASSEMBLY (AFTER SERIAL #30000122)



OIL DECANTER PLUMBING-020905-ASY

| PLUMBING: OIL DECANTER ASSEMBLY (AFTER SERIAL #30000122) |                      |         |      |
|--|----------------------|---------|------|
| REF. #   | DESCRIPTION          | PART#   | QTY. |
| 1  | Pipe *(1" x 12")     | 55-1200 | 1    |
| 2  | Adapter- Male        | 55-1222 | 1    |
| 3  | Pipe *(1" x 5-5/8")  | 55-1200 | 1    |
| 4  | Tee                  | 55-1201 | 1    |
| 5  | Pipe *(1" x 24")     | 55-1200 | 1    |
| 6  | Union (Inc. 25-0447) | 55-1245 | 1    |
| -  | O-ring               | 25-0447 | 1    |
| 7  | Pipe *(1" x 28")     | 55-1200 | 1    |
| 8  | Elbow                | 55-1209 | 2    |
| 9  | Pipe *(1" x 2 1/4")  | 55-1200 | 1    |
| 10   | Pipe *(1" x 6")      | 55-1200 | 1    |
| *Must Order in One Foot Lengths                          |                      |         |      |

## OUTLET RING ASSEMBLY (AFTER SERIAL #30000122)

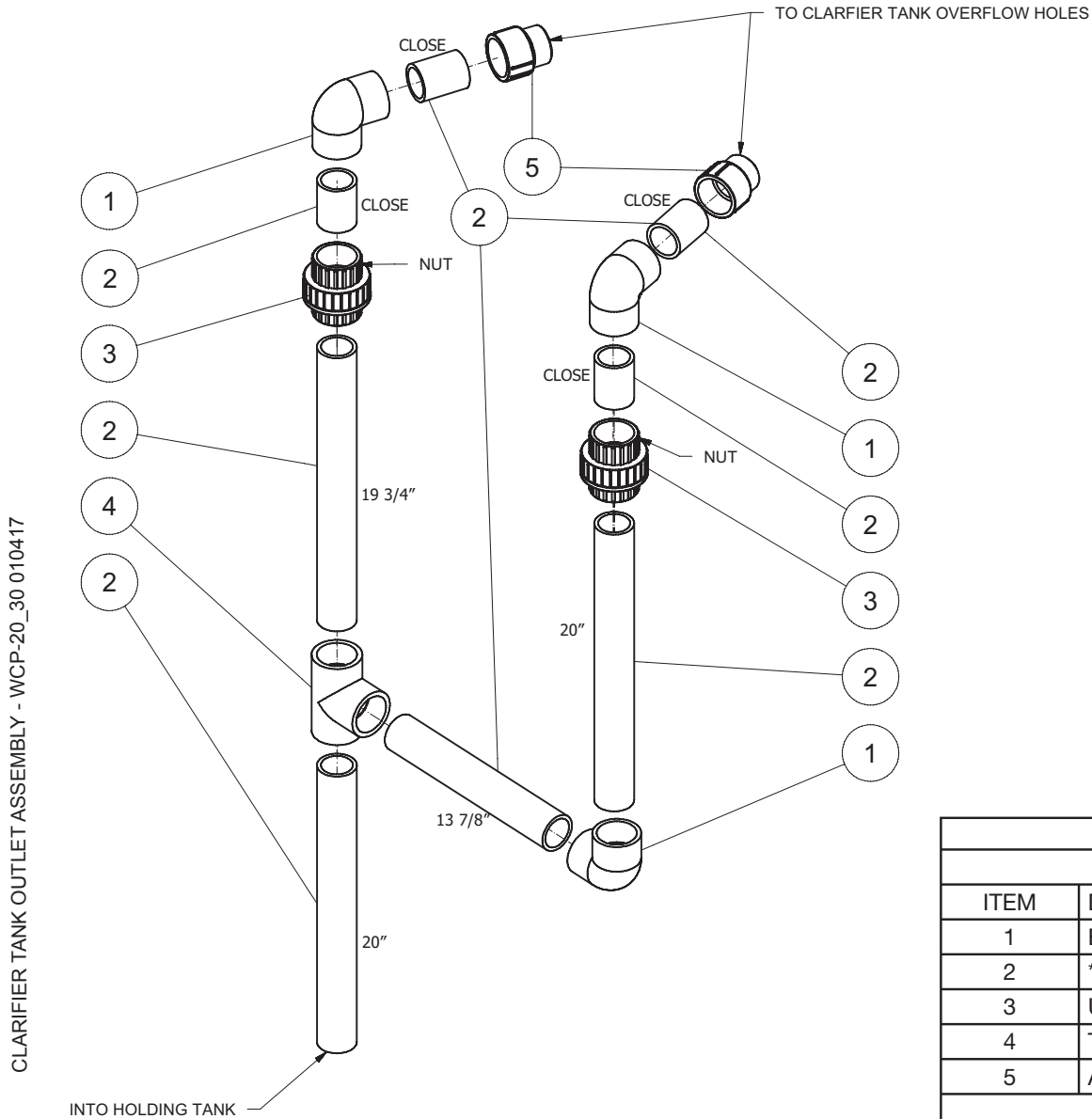


OUTLET RING 600-021605-ASY

| OUTLET RING ASSEMBLY (AFTER SERIAL #30000122) |                      |         |      |
|---|----------------------|---------|------|
| REF. #  | DESCRIPTION          | PART#   | QTY. |
| 1   | Pipe *(2" x 3")      | 55-1800 | 2    |
| 2   | Union (Inc. 25-0449) | 55-1845 | 2    |
| -   | O-ring               | 25-0449 | 2    |
| 3   | Pipe *(2" x 2 1/2")  | 55-1800 | 2    |
| 4   | Elbow                | 55-1809 | 2    |
| 5   | Pipe *(2" x 5 1/8")  | 55-1800 | 2    |
| 6   | Nipple               | 55-1874 | 2    |
| 7   | Tee                  | 55-1807 | 2    |
| 8   | Flex Pipe            | 55-0062 | 1    |
| *Must Order in One Foot Lengths               |                      |         |      |

OUTLET RING 600-021605-ASY

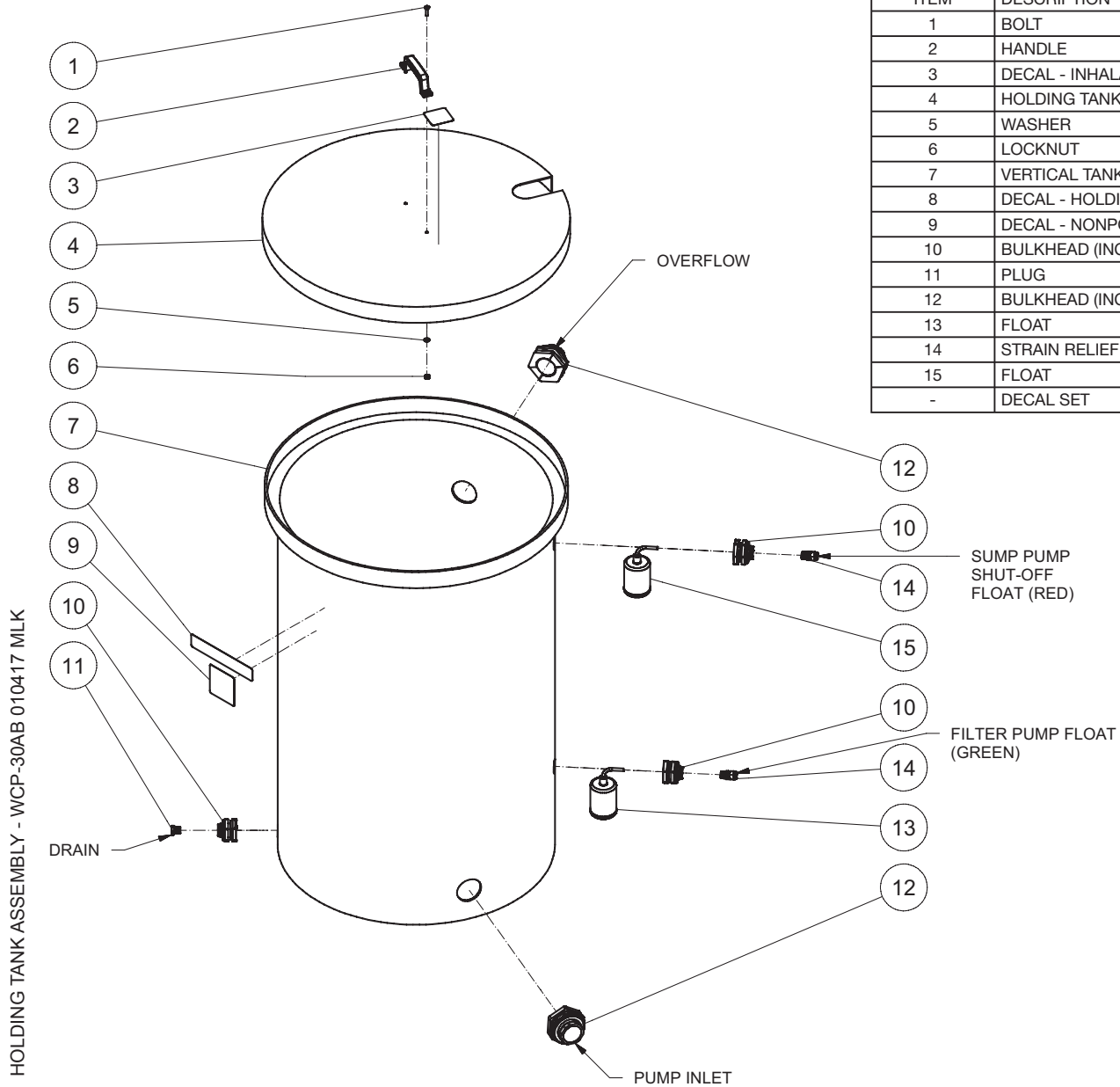
## PLUMBING: CLARIFIER TANK OUTLET ASSEMBLY (AFTER SERIAL #30000122)



CLARIFIER TANK OUTLET ASSEMBLY - WCP-20\_30\_010417

| WCP-20_30-0M10_0M30 010417 MLK  |                                   |         |     |
|---------------------------------|-----------------------------------|---------|-----|
| CLARIFIER TANK OUTLET           |                                   |         |     |
| ITEM                            | DESCRIPTION                       | PART #  | QTY |
| 1                               | ELBOW                             | 55-1809 | 3   |
| 2                               | *PIPE 2" *(EIGHT FEET REQUIRED)   | 55-1800 | 1   |
| 3                               | UNION - INCLUDES O-RING (25-0449) | 55-1845 | 2   |
| 4                               | TEE                               | 55-1801 | 1   |
| 5                               | ADAPTER                           | 55-1822 | 2   |
| *MUST ORDER IN ONE FOOT LENGTHS |                                   |         |     |

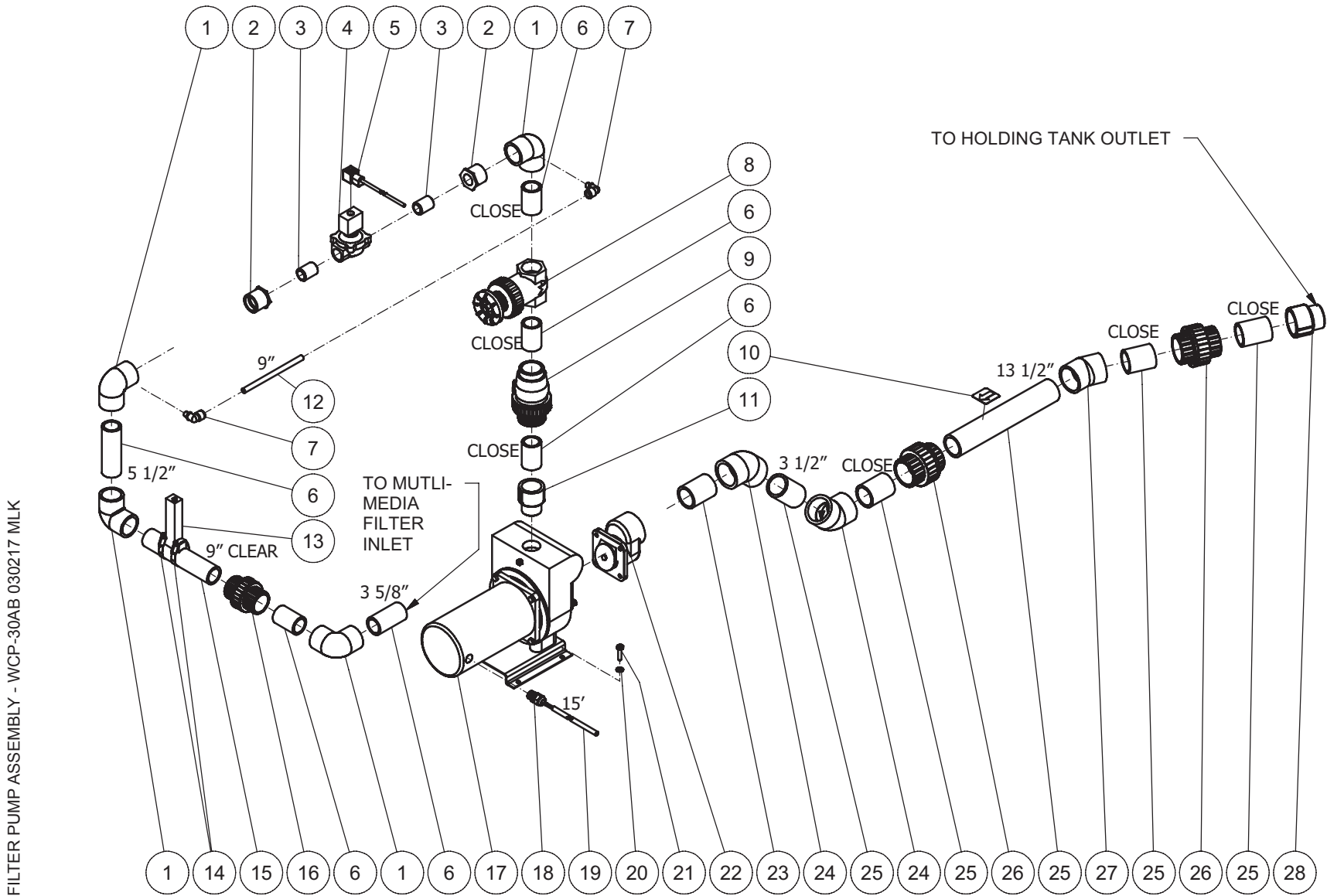
## HOLDING TANK ASSEMBLY (AFTER SERIAL #3000122)



| HOLDING TANK ASSEMBLY WCP-30AB-0M10_0M30 010417 MLK |   |         |     |
|---|---|---------|-----|
| HOLDING TANK ASSEMBLY                               |   |         |     |
| ITEM  | DESCRIPTION                             | PART #  | QTY |
| 1   | BOLT                                    | 27-5018 | 2   |
| 2   | HANDLE                                  | 7-0164  | 1   |
| 3   | DECAL - INHALATION HAZARD (SEE 71-0098) | N/A     | 1   |
| 4   | HOLDING TANK LID                        | 12-0098 | 1   |
| 5   | WASHER                                  | 28-0121 | 2   |
| 6   | LOCKNUT                                 | 30-5155 | 2   |
| 7   | VERTICAL TANK - 165 GAL                 | 12-0095 | 1   |
| 8   | DECAL - HOLDING TANK (SEE 71-0098)      | N/A     | 1   |
| 9   | DECAL - NONPOTABLE WATER (SEE 71-0098)  | N/A     | 1   |
| 10  | BULKHEAD (INC. 25-0506 GASKET)          | 55-0886 | 3   |
| 11  | PLUG                                    | 55-0840 | 1   |
| 12  | BULKHEAD (INC. 25-0481 GASKET)          | 55-1886 | 2   |
| 13  | FLOAT                                   | 32-0663 | 1   |
| 14  | STRAIN RELIEF                           | 32-0437 | 2   |
| 15  | FLOAT                                   | 32-0664 | 1   |
| -   | DECAL SET                               | 71-0098 | 1   |

HOLDING TANK ASSEMBLY - WCP-30AB 010417 MLK

# FILTER PUMP ASSEMBLY (AFTER SERIAL #30001104)

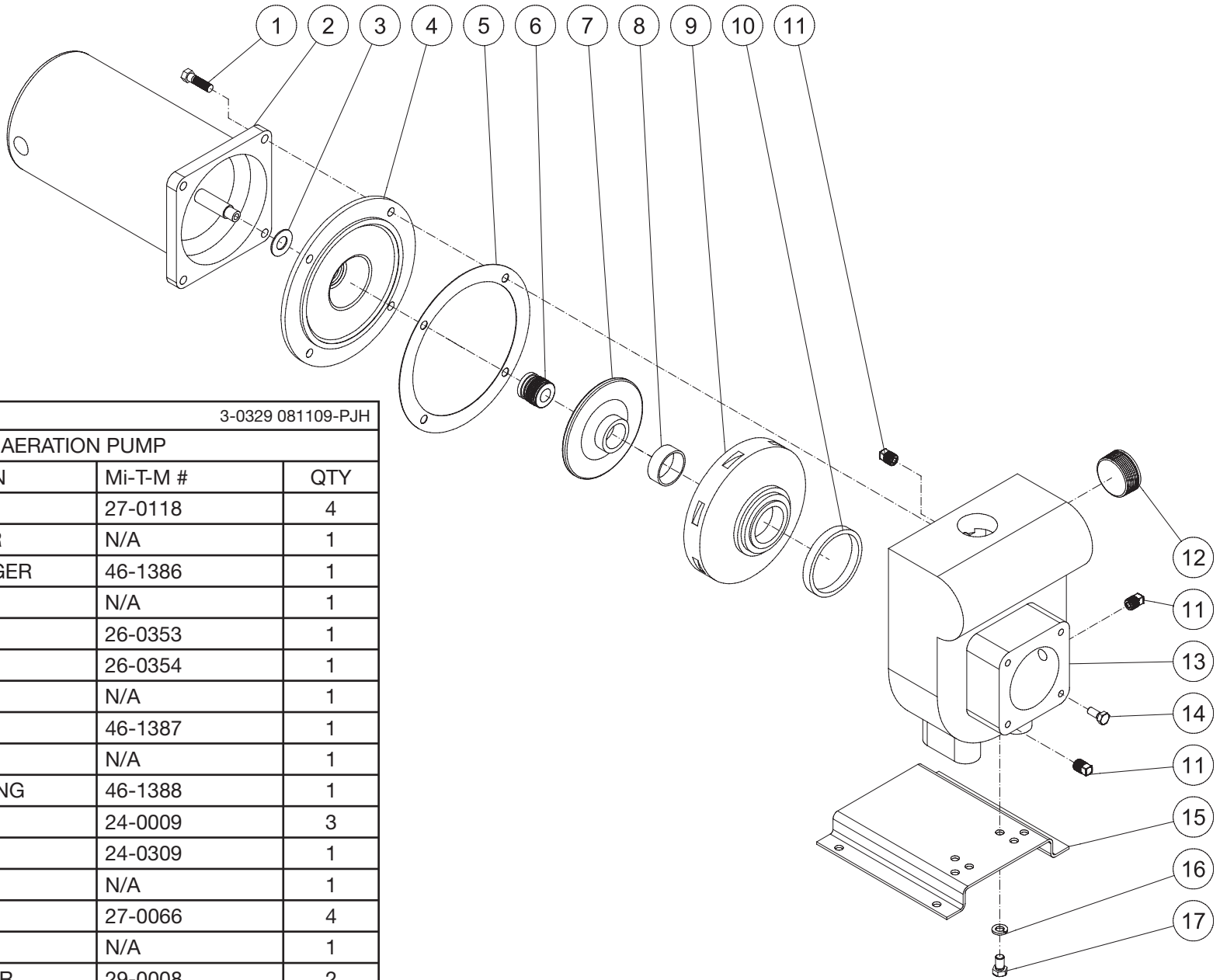


FILTER PUMP ASSEMBLY - WCP-30AB 030217 MLK



| FILTER PUMP ASSEMBLY - WCP-30AB 030217 |   |         |     |
|--|---|---------|-----|
| FILTER PUMP ASSEMBLY                   |   |         |     |
| ITEM                                   | DESCRIPTION                             | PART #  | QTY |
| 1                                      | ELBOW                                   | 55-1609 | 4   |
| 2                                      | REDUCER                                 | 55-1629 | 2   |
| 3                                      | NIPPLE                                  | 55-1274 | 2   |
| 4                                      | SOLENOID                                | 22-0441 | 1   |
| 5                                      | CORDSET *(SIXTEEN FEET REQUIRED)        | 32-0786 | 1   |
| 6                                      | *PIPE 1 1/2" *(TWO FEET REQUIRED)       | 55-1600 | 1   |
| 7                                      | ELBOW                                   | 55-0108 | 2   |
| 8                                      | GATE VALVE                              | 55-1671 | 1   |
| 9                                      | CHECK VALVE                             | 55-1652 | 1   |
| 10                                     | DECAL                                   | N/A     | 1   |
| 11                                     | ADAPTER                                 | 55-1622 | 1   |
| 12                                     | TUBING (8" REQUIRED)                    | 15-0252 | 1   |
| 13                                     | FLOW METER                              | 55-0016 | 1   |
| 14                                     | HOSE CLAMP                              | 42-0027 | 2   |
| 15                                     | *PIPE 1 1/2" CLEAR *(ONE FOOT REQUIRED) | 55-1685 | 1   |
| 16                                     | UNION - INCLUDES O-RING (25-0448)       | 55-1645 | 1   |
| 17                                     | PUMP (0M10)                             | 3-0329  | 1   |
| -                                      | PUMP (0M30)                             | 3-0319  | 1   |
| 18                                     | STRAIN RELIEF                           | 32-0437 | 1   |
| 19                                     | CORD *(FIFTEEN FEET REQUIRED) (0M10)    | 32-0074 | 1   |
| -                                      | CORD *(FIFTEEN FEET REQUIRED) (0M30)    | 32-0247 | 1   |
| 20                                     | WASHER                                  | 28-0122 | 4   |
| 21                                     | BOLT                                    | 27-5276 | 4   |
| 22                                     | FLANGE                                  | 33-0493 | 1   |
| 23                                     | TOE NIPPLE                              | 55-1857 | 1   |
| 24                                     | ELBOW                                   | 55-1812 | 2   |
| 25                                     | *PIPE 2" *(TWO FEET REQUIRED)           | 55-1800 | 1   |
| 26                                     | UNION - INCLUDES O-RING (25-0449)       | 55-1845 | 2   |
| 27                                     | ELBOW                                   | 55-1893 | 1   |
| 28                                     | ADAPTER                                 | 55-1822 | 1   |
| *MUST ORDER IN ONE FOOT LENGTHS        |   |         |     |

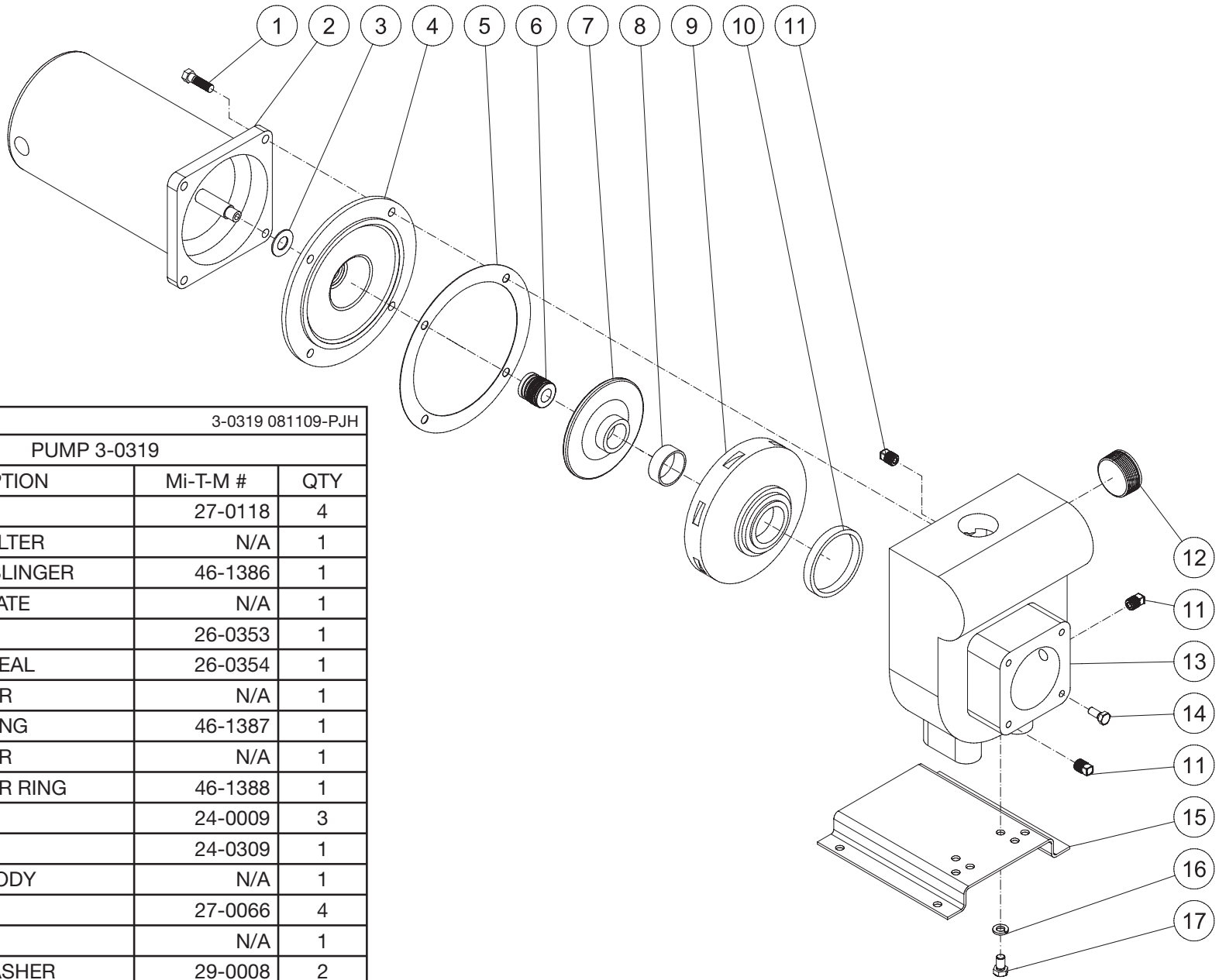
### FILTER PUMP (3-0329) (SINGLE PHASE)



| 3-0329 081109-PJH |               |          |     |
|-------------------|---------------|----------|-----|
| AERATION PUMP     |               |          |     |
| ITEM              | DESCRIPTION   | Mi-T-M # | QTY |
| 1                 | BOLT          | 27-0118  | 4   |
| 2                 | PUMP/FILTER   | N/A      | 1   |
| 3                 | WATER SLINGER | 46-1386  | 1   |
| 4                 | SEAL PLATE    | N/A      | 1   |
| 5                 | GASKET        | 26-0353  | 1   |
| 6                 | SHAFT SEAL    | 26-0354  | 1   |
| 7                 | IMPELLER      | N/A      | 1   |
| 8                 | WEAR RING     | 46-1387  | 1   |
| 9                 | DIFFUSER      | N/A      | 1   |
| 10                | DIFFUSER RING | 46-1388  | 1   |
| 11                | PLUG          | 24-0009  | 3   |
| 12                | PLUG          | 24-0309  | 1   |
| 13                | PUMP BODY     | N/A      | 1   |
| 14                | BOLT          | 27-0066  | 4   |
| 15                | BASE          | N/A      | 1   |
| 16                | LOCKWASHER    | 29-0008  | 2   |
| 17                | BOLT          | N/A      | 2   |

3-0329 081109-JJT

## FILTER PUMP (3-0319) (THREE PHASE)



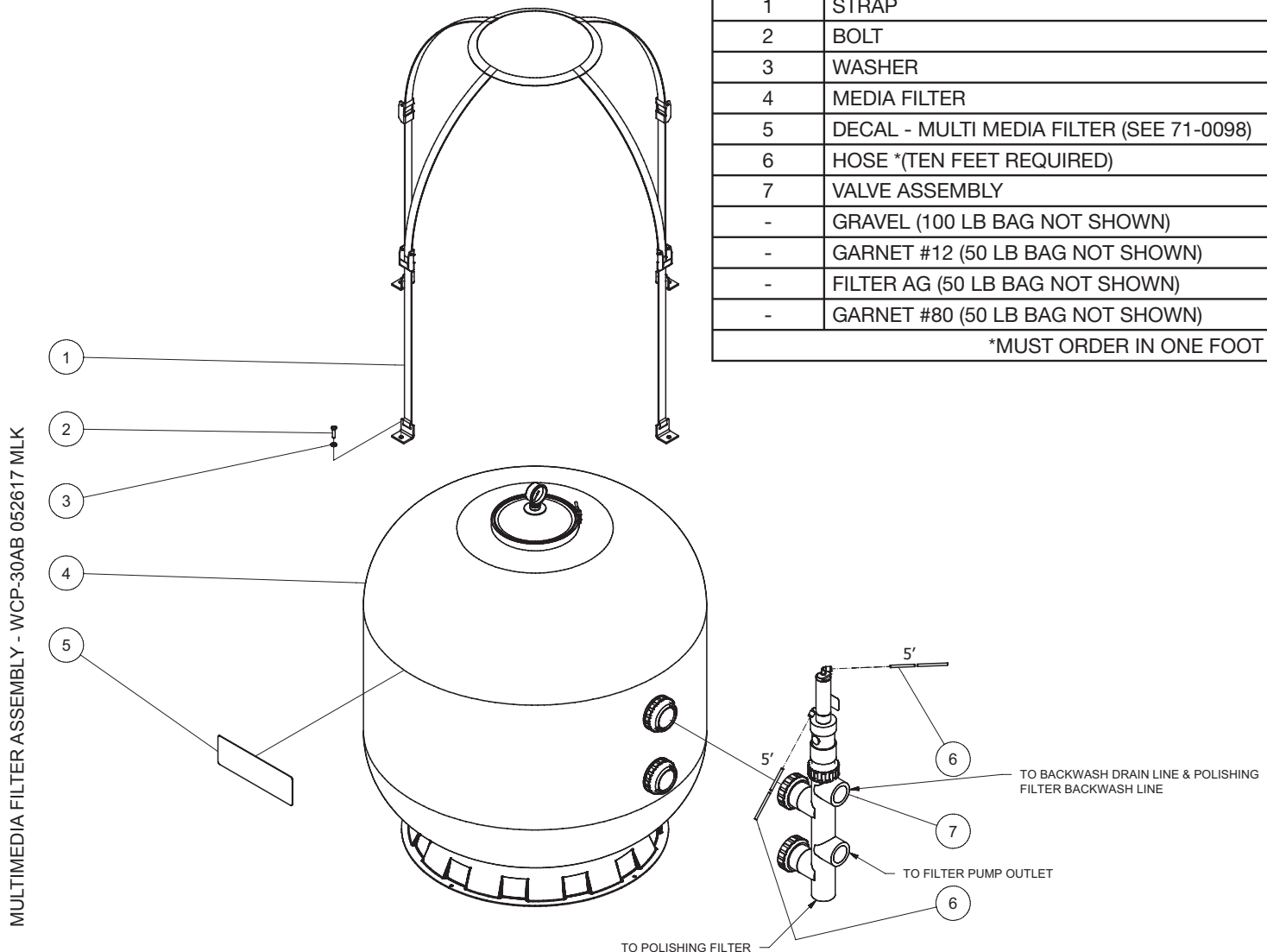
| 3-0319 081109-PJH |               |          |     |
|-------------------|---------------|----------|-----|
| PUMP 3-0319       |               |          |     |
| ITEM              | DESCRIPTION   | Mi-T-M # | QTY |
| 1                 | BOLT          | 27-0118  | 4   |
| 2                 | PUMP/FILTER   | N/A      | 1   |
| 3                 | WATER SLINGER | 46-1386  | 1   |
| 4                 | SEAL PLATE    | N/A      | 1   |
| 5                 | GASKET        | 26-0353  | 1   |
| 6                 | SHAFT SEAL    | 26-0354  | 1   |
| 7                 | IMPELLER      | N/A      | 1   |
| 8                 | WEAR RING     | 46-1387  | 1   |
| 9                 | DIFFUSER      | N/A      | 1   |
| 10                | DIFFUSER RING | 46-1388  | 1   |
| 11                | PLUG          | 24-0009  | 3   |
| 12                | PLUG          | 24-0309  | 1   |
| 13                | PUMP BODY     | N/A      | 1   |
| 14                | BOLT          | 27-0066  | 4   |
| 15                | BASE          | N/A      | 1   |
| 16                | LOCKWASHER    | 29-0008  | 2   |
| 17                | BOLT          | N/A      | 2   |

3-0319-081109-PJH

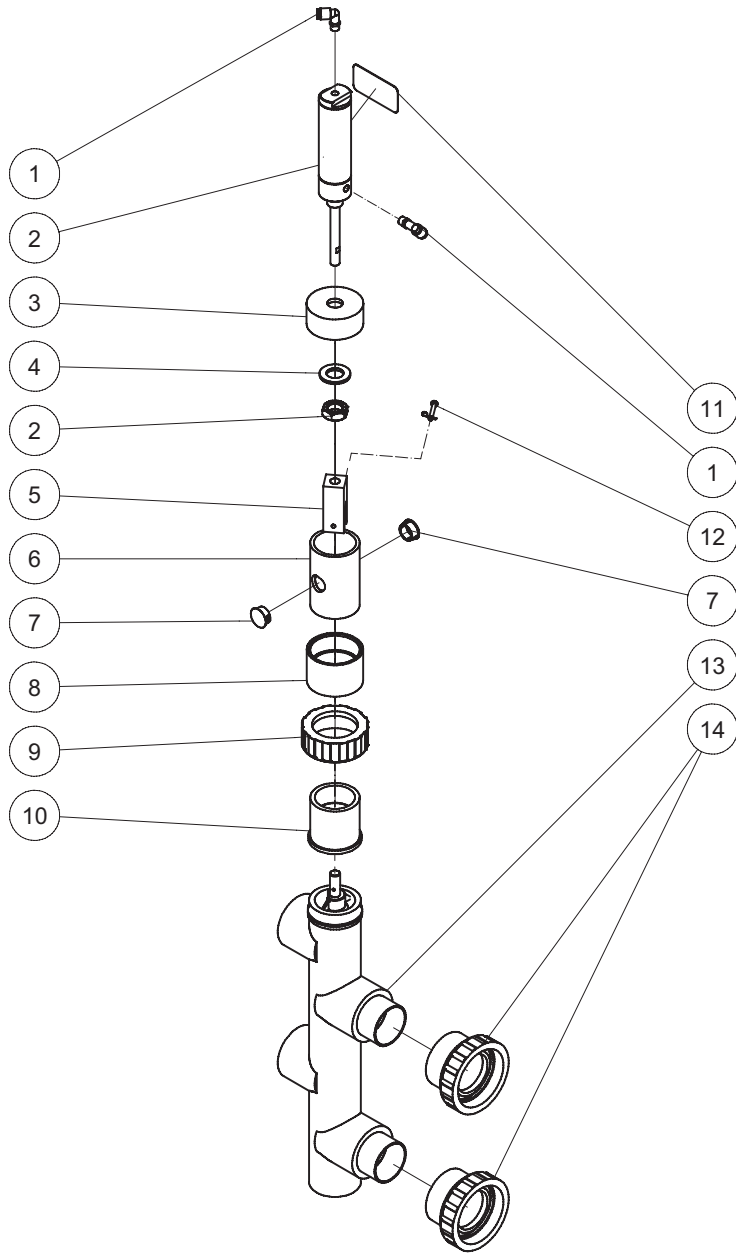
## MULTI-MEDIA FILTER ASSEMBLY (AFTER SERIAL #3001104)

| MULTIMEDIA FILTER ASSEMBLY WCP-30AB 052517 MLK |  |         |     |
|--|--|---------|-----|
| MULTIMEDIA FILTER ASSEMBLY                     |  |         |     |
| ITEM   | DESCRIPTION                              | PART #  | QTY |
| 1  | STRAP                                    | 33-0315 | 1   |
| 2  | BOLT                                     | 27-5277 | 4   |
| 3  | WASHER                                   | 28-0121 | 4   |
| 4  | MEDIA FILTER                             | 19-0562 | 1   |
| 5  | DECAL - MULTI MEDIA FILTER (SEE 71-0098) | N/A     | 1   |
| 6  | HOSE *(TEN FEET REQUIRED)                | 15-0240 | 1   |
| 7  | VALVE ASSEMBLY                           | N/A     | 1   |
| -  | GRAVEL (100 LB BAG NOT SHOWN)            | 33-0303 | 300 |
| -  | GARNET #12 (50 LB BAG NOT SHOWN)         | 33-0304 | 200 |
| -  | FILTER AG (50 LB BAG NOT SHOWN)          | 33-0306 | 100 |
| -  | GARNET #80 (50 LB BAG NOT SHOWN)         | 33-0403 | 300 |

\*MUST ORDER IN ONE FOOT LENGTHS



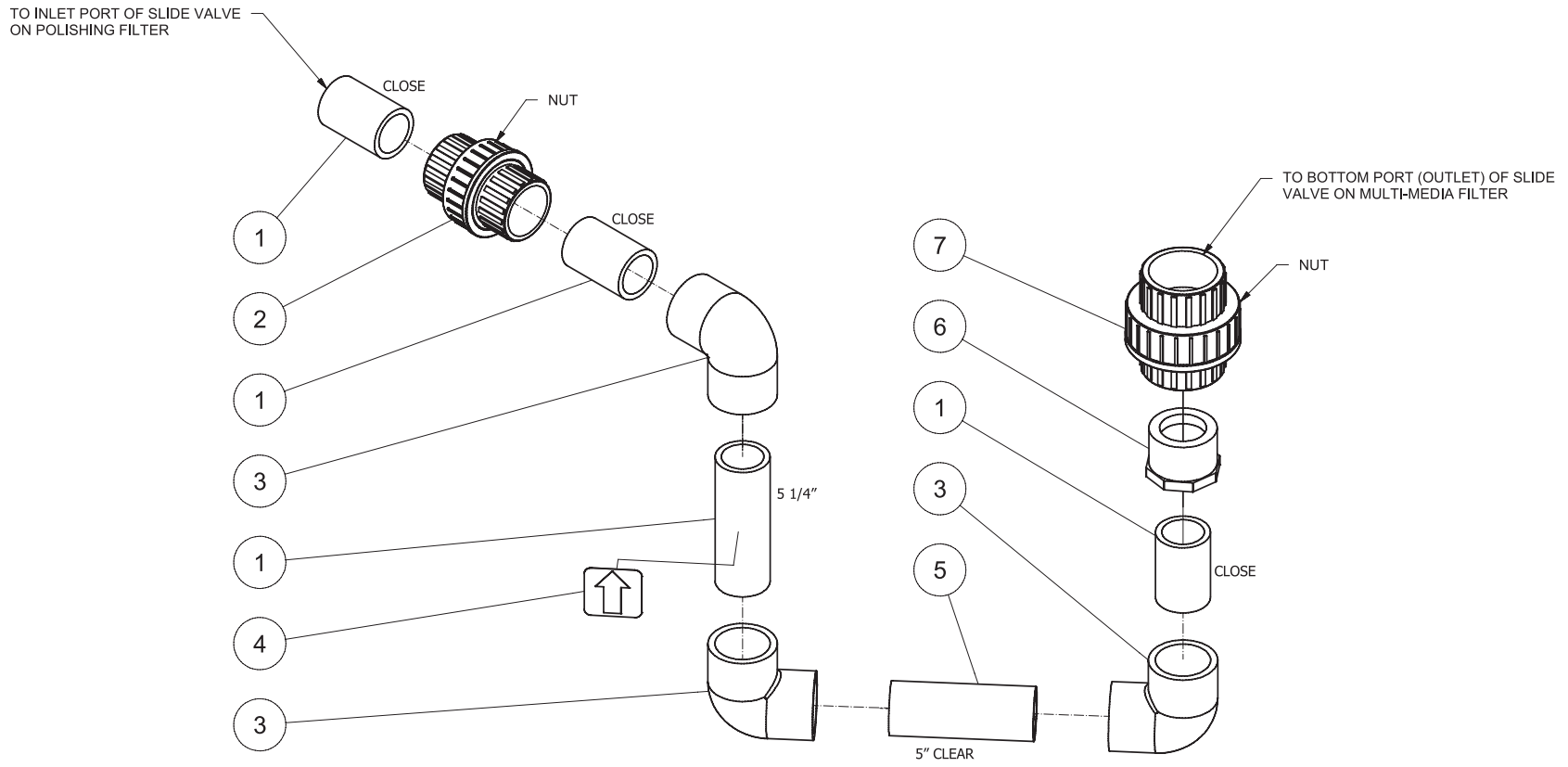
## VALVE ASSEMBLY (AFTER SERIAL #30000122)



| SLIDE VALVE ASSY - 2.5 STROKE 021317 MLK |  |         |     |
|--|--|---------|-----|
| VALVE ASSEMBLY                           |  |         |     |
| ITEM                                     | DESCRIPTION                                  | PART #  | QTY |
| 1  | ELBOW  | 55-0104 | 2   |
| 2  | AIR CYLINDER                                 | 22-0387 | 1   |
| 3  | CAP  | 55-1889 | 1   |
| 4  | WASHER                                       | 28-1048 | 1   |
| 5  | CYLINDER CLEVIS                              | 56-0055 | 1   |
| 6  | *PIPE 2" *(ONE FOOT REQUIRED)                | 55-1805 | 1   |
| 7  | PLUG   | 39-0014 | 2   |
| 8  | COUPLER                                      | 55-1815 | 1   |
| 9  | COUPLER                                      | 55-0105 | 1   |
| 10                                       | BULKHEAD ADAPTER                             | 55-0121 | 1   |
| 11                                       | DECAL - WARNING: MOVING PARTS *(SEE 71-0098) | 34-1634 | 1   |
| 12                                       | CLEVIS PIN                                   | 43-0116 | 1   |
| 13                                       | SLIDE VALVE                                  | 55-0101 | 1   |
| 14                                       | HALF UNION                                   | 55-0122 | 2   |
| *MUST ORDER IN ONE FOOT LENGTHS          |  |         |     |

SLIDE VALVE ASSY - 2.5 STROKE 021317 MLK

## PLUMBING: MEDIA FILTER TO POLISHING FILTER (AFTER SERIAL #30000122)

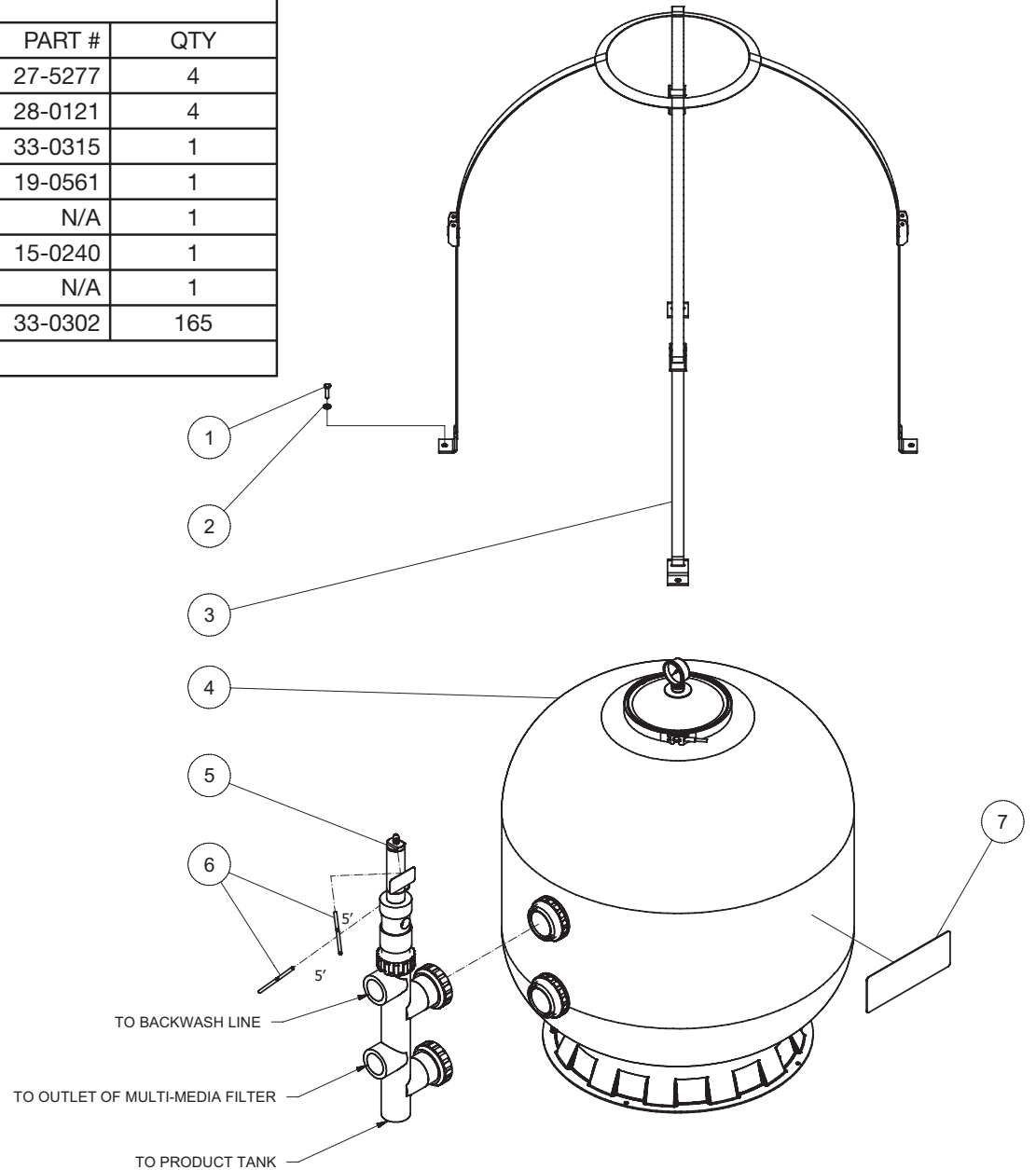


| MULTIMEDIA FILTER TO POLISHING FILTER - WCP-30AB 011717 MLK |   |         |     |
|---|---|---------|-----|
| MULTIMEDIA FILTER TO POLISHING FILTER                       |   |         |     |
| ITEM  | DESCRIPTION                             | PART #  | QTY |
| 1   | *PIPE 1 1/2" *(TWO FEET REQUIRED)       | 55-1600 | 1   |
| 2   | UNION - INCLUDES O-RING (25-0448)       | 55-1645 | 1   |
| 3   | ELBOW                                   | 55-1609 | 3   |
| 4   | DECAL                                   | N/A     | 1   |
| 5   | *PIPE 1 1/2" CLEAR *(ONE FOOT REQUIRED) | 55-1685 | 1   |
| 6   | REDUCER BUSHING                         | 55-1823 | 1   |
| 7   | UNION - INCLUDES O-RING (25-0449)       | 55-1845 | 1   |
| *MUST ORDER IN ONE FOOT LENGTHS                             |   |         |     |

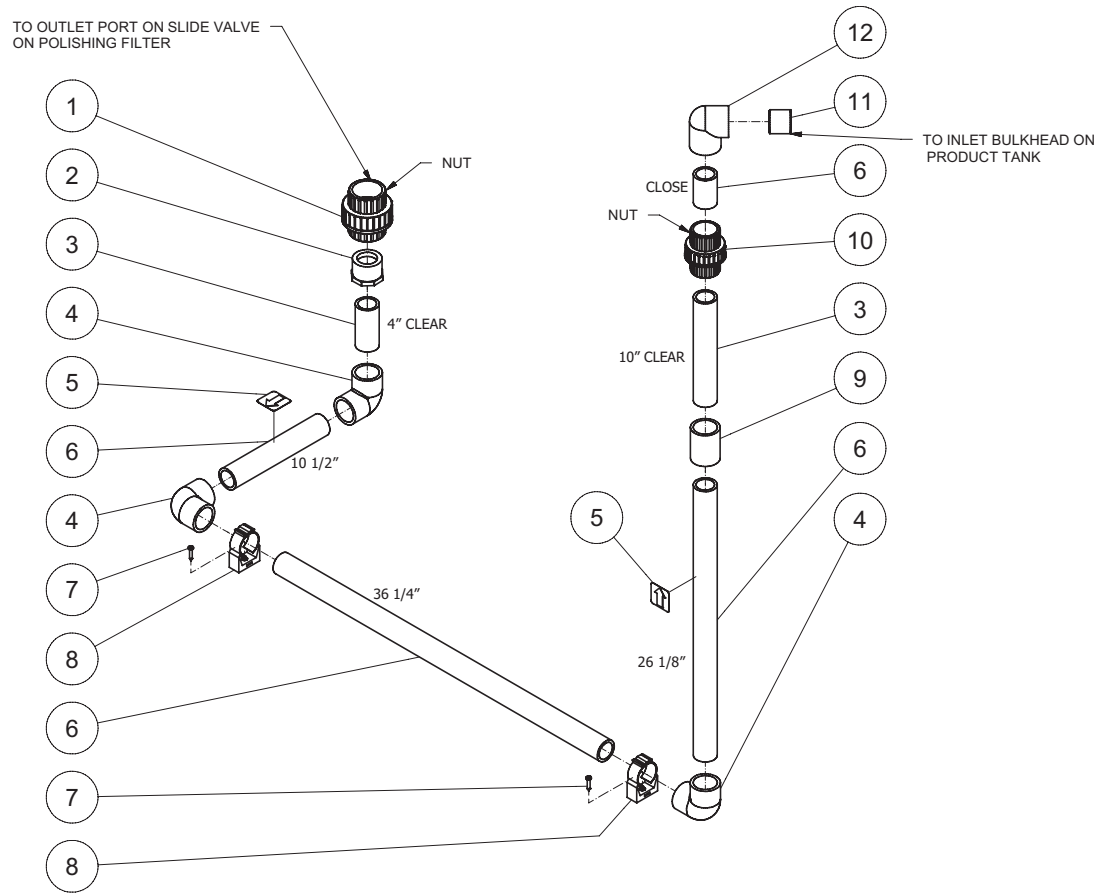
MULTIMEDIA FILTER TO POLISHING FILTER - WCP-30AB 011717 MLK

## POLISHING FILTER ASSEMBLY (AFTER SERIAL #30001104)

| POLISHING FILTER ASSEMBLY - WCP-30AB 121916 MLK |  |         |     |
|---|--|---------|-----|
| POLISHING FILTER ASSEMBLY                       |  |         |     |
| ITEM  | DESCRIPTION                              | PART #  | QTY |
| 1   | BOLT                                     | 27-5277 | 4   |
| 2   | WASHER                                   | 28-0121 | 4   |
| 3   | STRAP                                    | 33-0315 | 1   |
| 4   | MEDIA FILTER                             | 19-0561 | 1   |
| 5   | VALVE ASSEMBLY                           | N/A     | 1   |
| 6   | HOSE *(TEN FEET REQUIRED)                | 15-0240 | 1   |
| 7   | DECAL - POLISHING FILTER (SEE 71-0098)   | N/A     | 1   |
| -   | ACTIVATED CARBON (27.5 LB BAG NOT SHOWN) | 33-0302 | 165 |
| *MUST ORDER IN ONE FOOT LENGTHS                 |  |         |     |



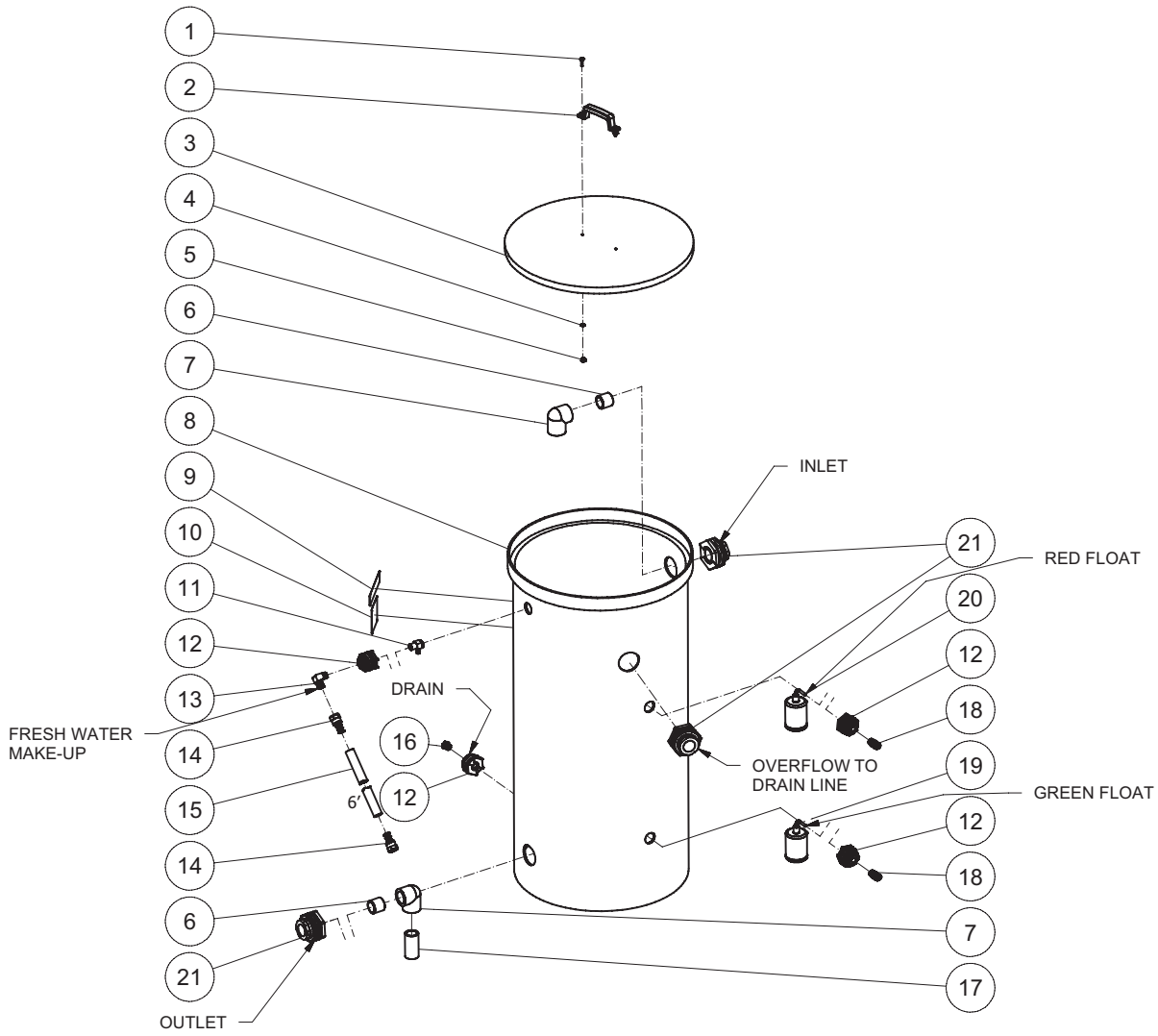
## PLUMBING: POLISHING FILTER TO PRODUCT TANK (AFTER SERIAL #30000122)





| POLISHING FILTER TO PRODUCT TANK - WCP-30AB 011817 MLK |   |         |     |
|--|---|---------|-----|
| POLISHING FILTER TO PRODUCT TANK                       |   |         |     |
| ITEM   | DESCRIPTION                             | PART #  | QTY |
| 1  | UNION - INCLUDES O-RING (25-0449)       | 55-1845 | 1   |
| 2  | REDUCER BUSHING                         | 55-1823 | 1   |
| 3  | *PIPE 1 1/2" CLEAR *(TWO FEET REQUIRED) | 55-1685 | 1   |
| 4  | ELBOW                                   | 55-1609 | 3   |
| 5  | DECAL                                   | N/A     | 2   |
| 6  | *PIPE 1 1/2" *(SEVEN FEET REQUIRED)     | 55-1600 | 1   |
| 7  | SCREW                                   | 27-5278 | 2   |
| 8  | CLAMP                                   | 42-0026 | 2   |
| 9  | COUPLER                                 | 55-1614 | 1   |
| 10   | UNION - INCLUDES O-RING (25-0448)       | 55-1645 | 1   |
| 11   | NIPPLE                                  | 55-1674 | 1   |
| 12   | ELBOW                                   | 55-1610 | 1   |
| *MUST ORDER IN ONE FOOT LENGTHS                        |   |         |     |

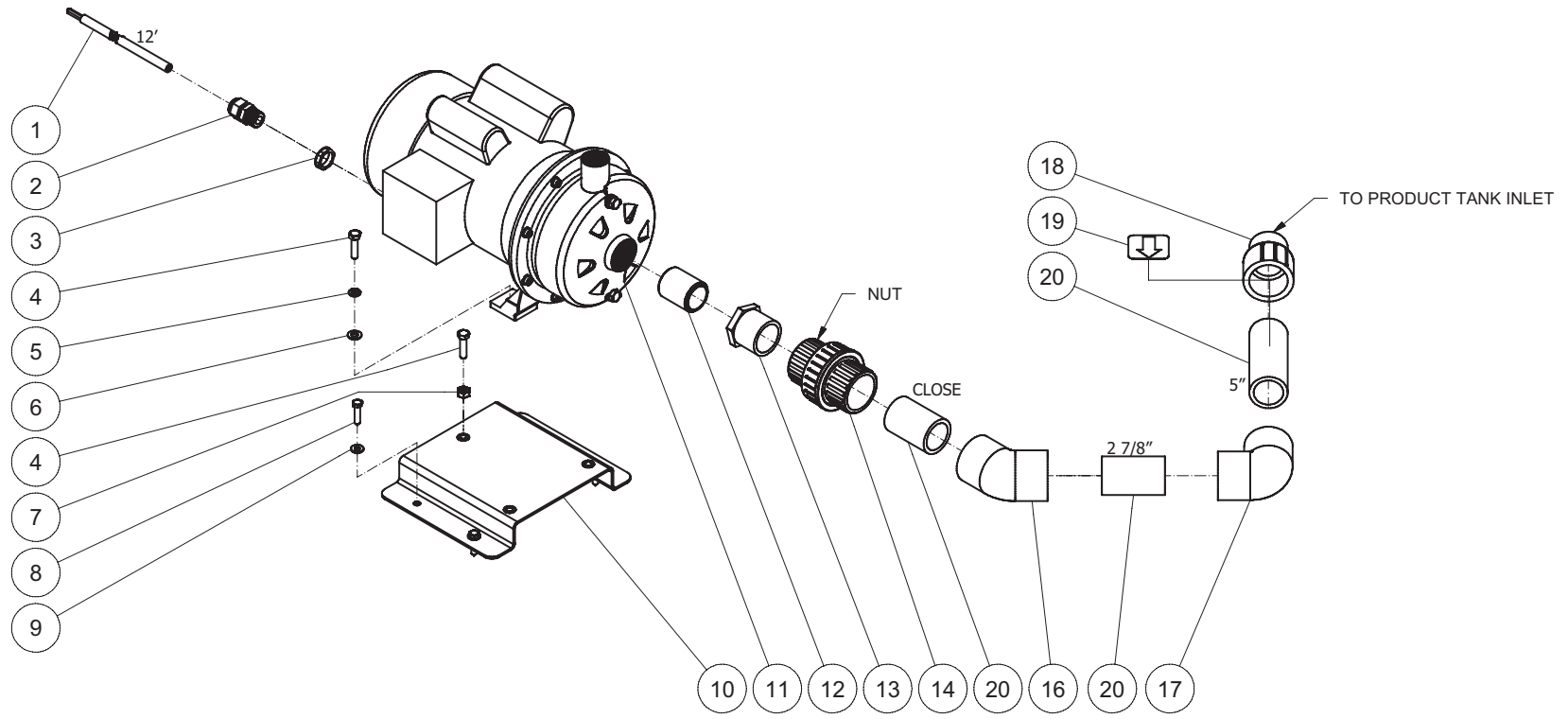
PRODUCT TANK ASSEMBLY (AFTER SERIAL #30000389)



PRODUCT TANK ASSEMBLY - WCP-30AB 011617 MLK

| PRODUCT TANK ASSEMBLY - WCP-30AB 011617 MLK |  |         |     |
|---|--|---------|-----|
| PRODUCT TANK ASSEMBLY                       |  |         |     |
| ITEM  | DESCRIPTION                            | PART #  | QTY |
| 1   | BOLT                                   | 27-5018 | 2   |
| 2   | HANDLE                                 | 7-0164  | 1   |
| 3   | TANK LID                               | 12-0097 | 1   |
| 4   | WASHER                                 | 28-0121 | 2   |
| 5   | LOCKNUT                                | 30-5155 | 2   |
| 6   | NIPPLE                                 | 55-1674 | 2   |
| 7   | ELBOW                                  | 55-1610 | 2   |
| 8   | PRODUCT TANK - WCP-30AB                | 12-0094 | 1   |
| 9   | DECAL - PRODUCT TANK (SEE 71-0098)     | N/A     | 1   |
| 10  | DECAL - NONPOTABLE WATER (SEE 71-0098) | N/A     | 1   |
| 11  | ELBOW                                  | 23-0053 | 1   |
| 12  | BULKHEAD (INC. 25-0506 GASKET)         | 55-0886 | 4   |
| 13  | ELBOW                                  | 23-0363 | 1   |
| 14  | HOSE BARB                              | 23-0358 | 2   |
| 15  | HOSE *(SIX FEET REQUIRED)              | 15-0033 | 1   |
| 16  | PLUG                                   | 55-0840 | 1   |
| 17  | *PIPE 1 1/2" *(ONE FOOT REQUIRED)      | 55-1600 | 1   |
| 18  | STRAIN RELIEF                          | 32-0437 | 2   |
| 19  | FLOAT                                  | 32-0663 | 1   |
| 20  | FLOAT                                  | 32-0664 | 1   |
| 21  | BULKHEAD (INC. 25-0481 GASKET)         | 55-1686 | 3   |
| *MUST ORDER IN ONE FOOT LENGTHS             |  |         |     |

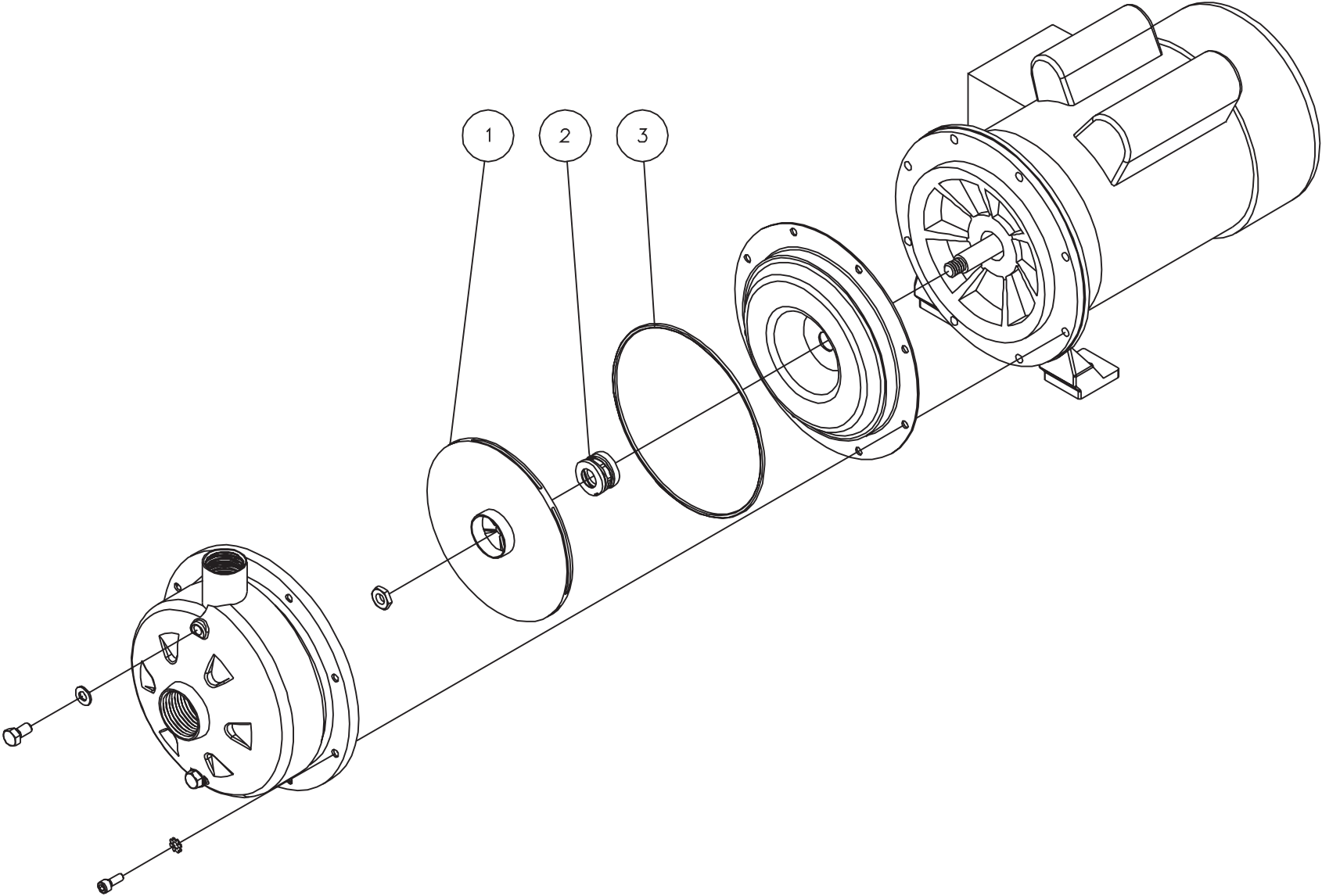
# TRANSFER PUMP ASSEMBLY (AFTER SERIAL #30000389)



TRANSFER PUMP ASSEMBLY - WCP-30AB 030217 MLK

| TRANSFER PUMP ASSEMBLY - WCP-30AB 030217 MLK |                                   |         |     |
|--|-----------------------------------|---------|-----|
| TRANSFER PUMP ASSEMBLY                       |                                   |         |     |
| ITEM   | DESCRIPTION                       | PART #  | QTY |
| 1  | CORD *(TWELVE FEET REQUIRED)      | 32-0074 | 1   |
| -  | CORD *(TWELVE FEET REQUIRED)      | 32-0247 | 1   |
| 2  | STRAIN RELIEF                     | 32-0437 | 1   |
| 3  | ELECTRICAL LOCKNUT                | 32-0108 | 1   |
| 4  | BOLT                              | 27-8963 | 3   |
| 5  | LOCKWASHER                        | 29-1007 | 2   |
| 6  | WASHER                            | 28-0122 | 2   |
| 7  | NUT                               | 30-0004 | 1   |
| 8  | BOLT                              | 27-5277 | 4   |
| 9  | WASHER                            | 28-0121 | 4   |
| 10   | PUMP HAT                          | 21-0140 | 1   |
| 11   | PUMP 1 PHASE                      | 3-0218  | 1   |
| -  | PUMP-TRANSFER SS CF 2HP 3PH       | 3-0324  | 1   |
| 12   | NIPPLE                            | 55-1474 | 1   |
| 13   | REDUCER                           | 55-1628 | 1   |
| 14   | UNION - INCLUDES O-RING (25-0448) | 55-1645 | 1   |
| 15   | *PIPE 1 1/2" *(ONE FOOT REQUIRED) | 55-1600 | 1   |
| 16   | ELBOW                             | 55-1612 | 1   |
| 17   | ELBOW                             | 55-1609 | 1   |
| 18   | ADAPTER                           | 55-1622 | 1   |
| 19   | DECAL                             | N/A     | 1   |
| *MUST ORDER IN ONE FOOT LENGTHS              |                                   |         |     |

# TRANSFER PUMP

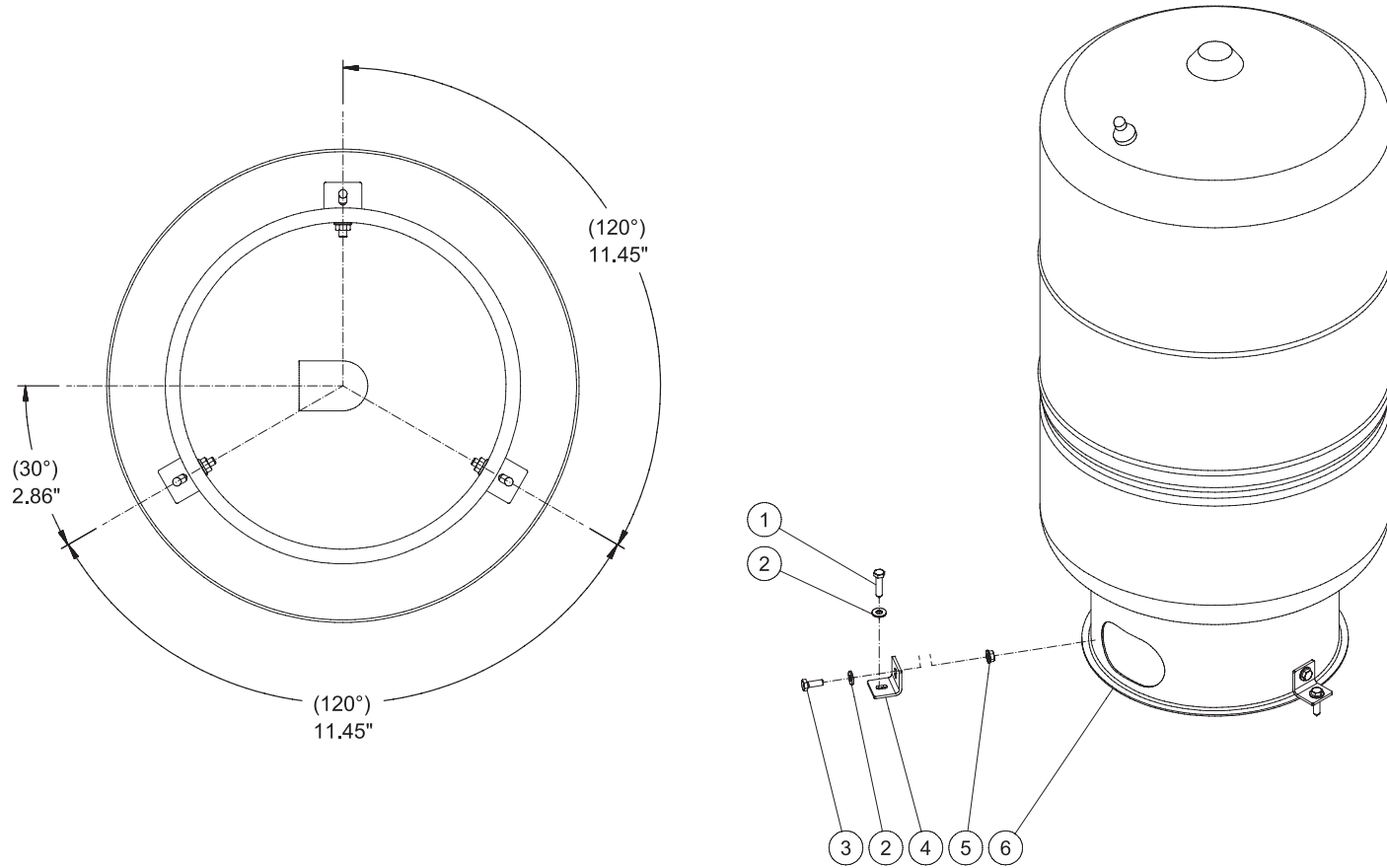


3-0218-070202-KS

3-0218-070202-KS

| <b>TRANSFER PUMP (3-0218)</b> |                                       |               |             |
|-------------------------------|---------------------------------------|---------------|-------------|
| <b>REF. #</b>                 | <b>DESCRIPTION</b>                    | <b>PART #</b> | <b>QTY.</b> |
| 1                             | Impeller                              | 46-1073       | 1           |
| 2                             | Seal                                  | 26-0266       | 1           |
| 3                             | O-ring                                | 25-0540       | 1           |
|                               | Complete Transfer Pump (Single phase) | 3-0218        |             |
|                               | Complete Transfer Pump (Three phase)  | 3-0324        |             |

## PRESSURE TANK ASSEMBLY (AFTER SERIAL #30000122)

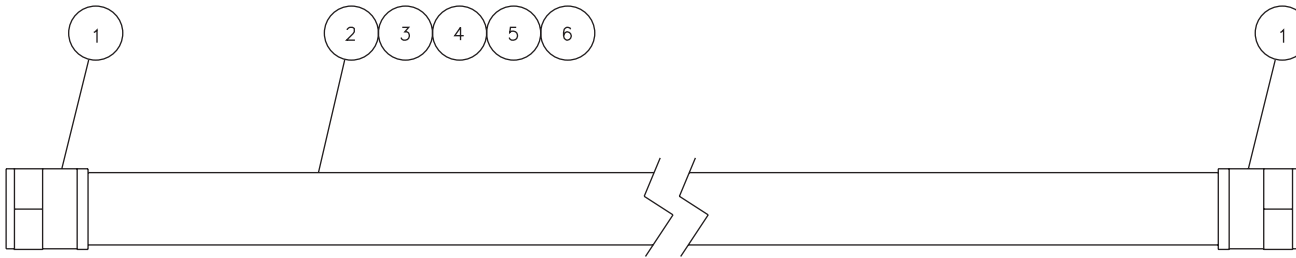


| PRESSURE TANK ASSEMBLY WTR-10-0M10/30 021116 MLK |               |         |     |
|--|---------------|---------|-----|
| PRESSURE TANK ASSEMBLY                           |               |         |     |
| ITEM   | DESCRIPTION   | PART #  | QTY |
| 1  | BOLT          | 27-5277 | 3   |
| 2  | WASHER        | 28-0121 | 6   |
| 3  | BOLT          | 27-5016 | 3   |
| 4  | BRACKET       | 21-0127 | 3   |
| 5  | NUT           | 30-5202 | 3   |
| 6  | PRESSURE TANK | 12-0081 | 1   |

PRESSURE TANK ASSEMBLY - WTR-10 021116 MLK



# HOSE ASSEMBLIES

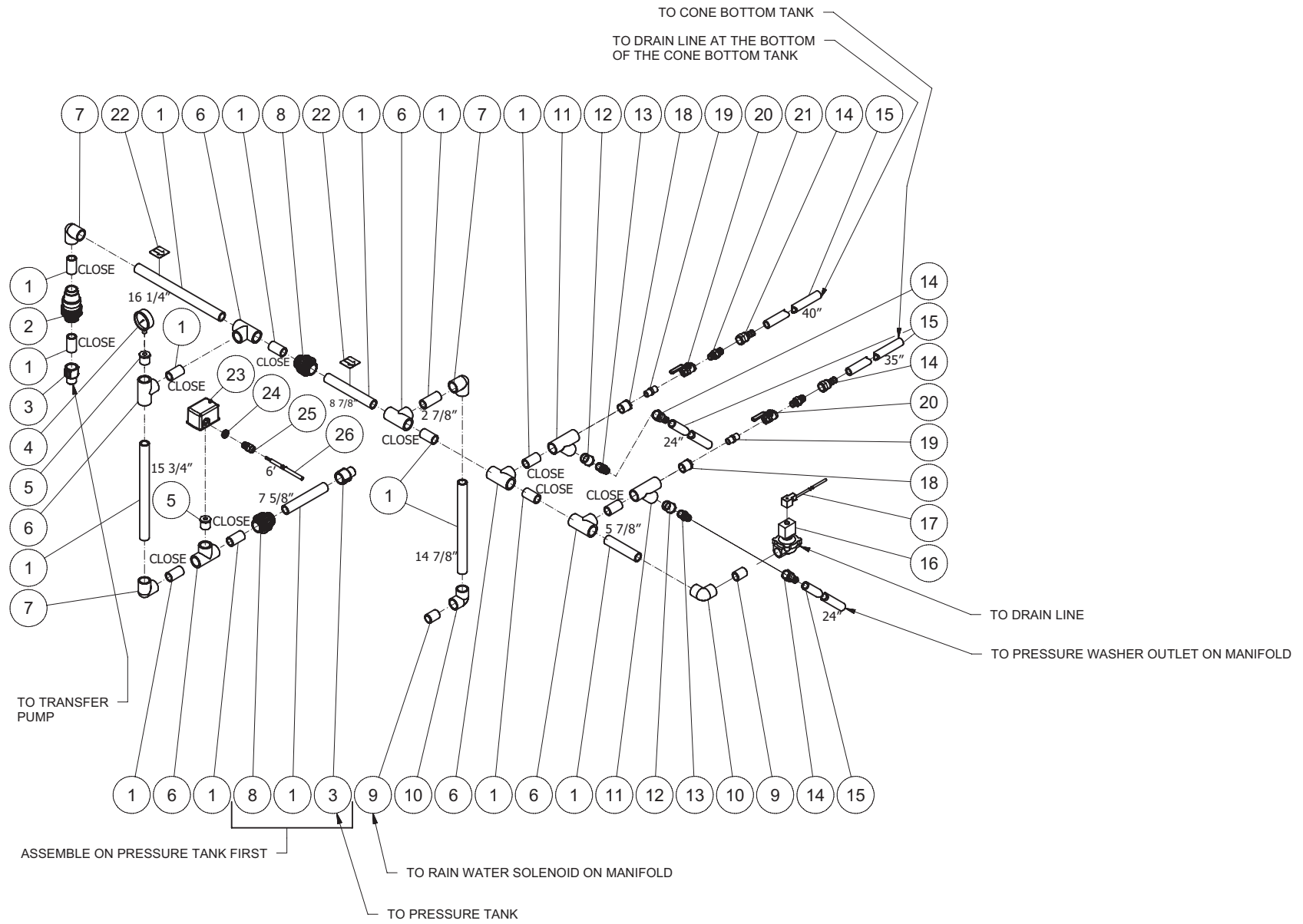


HOSE ASSY-090302-KS

| HOSE ASSEMBLIES                 |                   |   |         |      |
|---------------------------------|-------------------|---|---------|------|
| REF. #                          | HOSE CONNECTION # | DESCRIPTION   | PART#   | QTY. |
| 1                               | -                 | Hose Barb   | 23-0358 | 10   |
| 2                               | H 1               | Clarifier Tank Clean-out Hose *(Three Feet Required)  | 15-0033 | 1    |
| 3                               | H 2               | Clarifier Drain Clean-out Hose *(Three Feet Required) | 15-0033 | 1    |
| 4                               | H 3               | Pressure Washer Hose *(Two Feet Required)             | 15-0033 | 1    |
| 5                               | H 4               | Pressure Washer Hose *(Two Feet Required)             | 15-0033 | 1    |
| 6                               | H 5               | Fresh Water Make-up Hose *(Six Feet Required)         | 15-0033 | 1    |
| *Must Order in One Foot Lengths |                   |   |         |      |

HOSE ASSY WCP-30AB-090302-KS

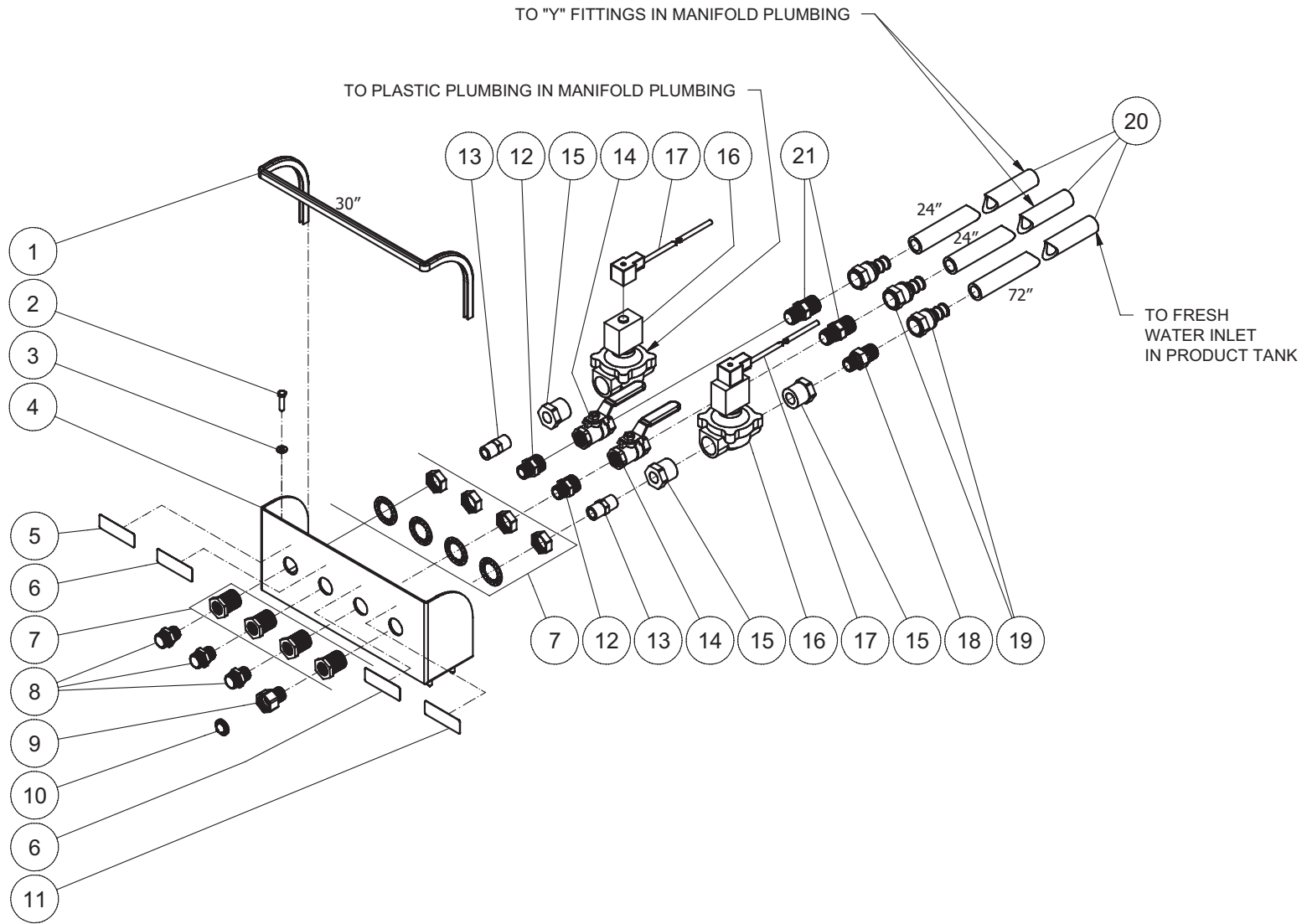
# PLUMBING: MANIFOLD ASSEMBLY (AFTER SERIAL #30001104)



MANIFOLD PLUMBING - WCP-30AB 012317 MLK

| MANIFOLD PLUMBING - WCP-30AB 012317 MLK |                                   |         |     |
|---|-----------------------------------|---------|-----|
| MANIFOLD PLUMBING                       |                                   |         |     |
| ITEM                                    | DESCRIPTION                       | PART #  | QTY |
| 1                                       | *PIPE 1" *(NINE FEET REQUIRED)    | 55-1200 | 1   |
| 2                                       | CHECK VALVE                       | 55-1252 | 1   |
| 3                                       | MALE ADAPTER                      | 55-1222 | 2   |
| 4                                       | PRESSURE GAUGE                    | 22-0280 | 1   |
| 5                                       | REDUCER                           | 55-1231 | 2   |
| 6                                       | TEE                               | 55-1201 | 6   |
| 7                                       | ELBOW                             | 55-1209 | 3   |
| 8                                       | UNION - INCLUDES O-RING (25-0447) | 55-1245 | 2   |
| 9                                       | NIPPLE                            | 55-1274 | 2   |
| 10                                      | ELBOW                             | 55-1210 | 2   |
| 11                                      | WYE                               | 55-1292 | 2   |
| 12                                      | REDUCER                           | 55-1228 | 2   |
| 13                                      | NIPPLE                            | 23-0362 | 2   |
| 14                                      | HOSE BARB                         | 23-0358 | 4   |
| 15                                      | HOSE *(ELEVEN FEET REQUIRED)      | 15-0033 | 1   |
| 16                                      | SOLENOID-NC                       | 22-0442 | 1   |
| 17                                      | CORDSET                           | 32-0786 | 1   |
| 18                                      | REDUCER                           | 55-1229 | 2   |
| 19                                      | NIPPLE                            | 23-0012 | 2   |
| 20                                      | BALL VALVE                        | 22-0278 | 2   |
| 21                                      | NIPPLE                            | 23-0359 | 2   |
| 22                                      | DECAL                             | N/TA    | 2   |
| 23                                      | PRESSURE SWITCH                   | 22-0304 | 1   |
| 24                                      | ELECTRICAL LOCKNUT                | 32-0108 | 1   |
| 25                                      | STRAIN RELIEF                     | 32-0437 | 1   |
| 26                                      | CORD (SIX FEET REQUIRED)          | 32-0074 | 1   |
| *MUST ORDER IN ONE FOOT LENGTHS         |                                   |         |     |

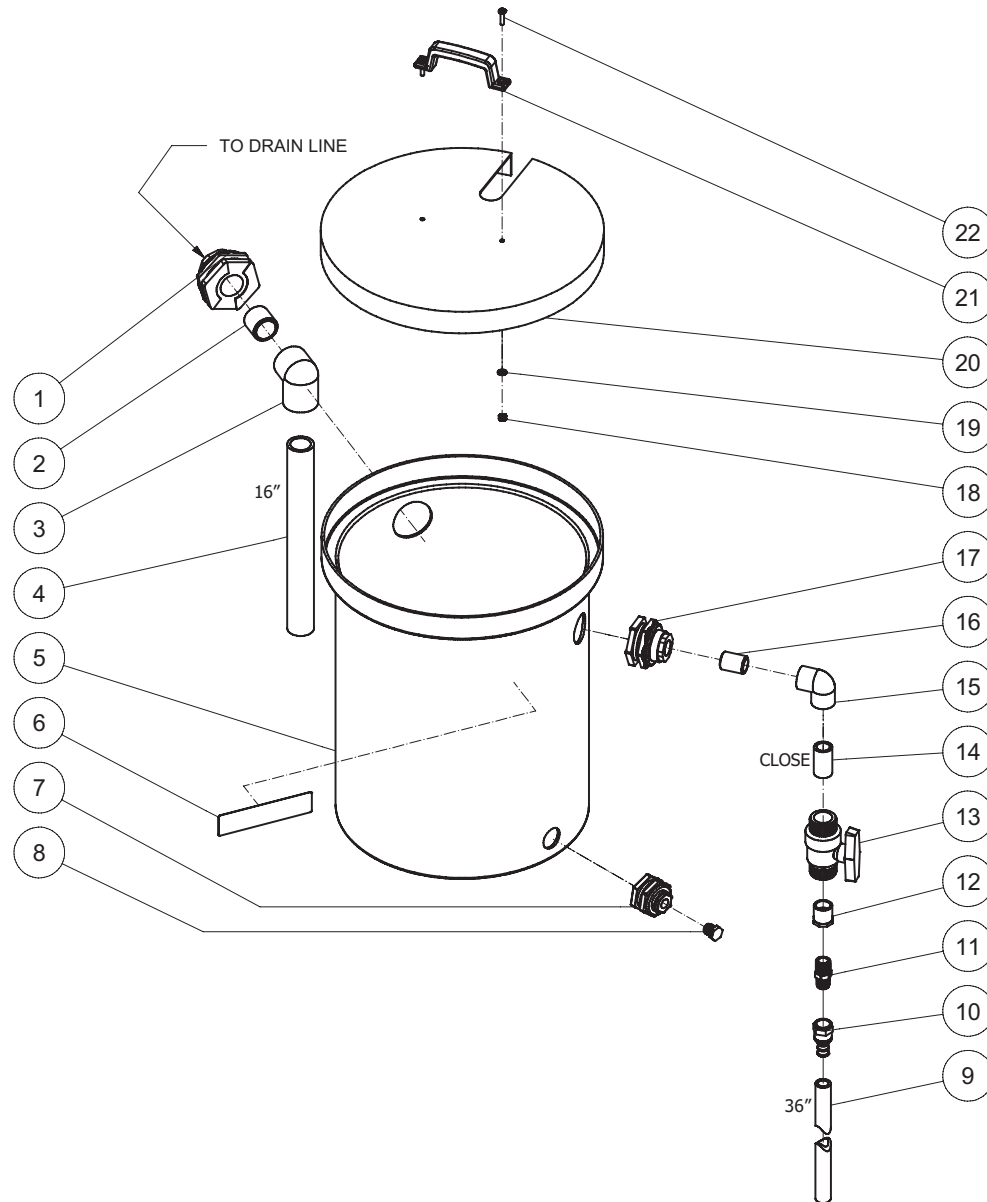
# MANIFOLD ASSEMBLY (AFTER SERIAL #30001104)



MANIFOLD ASSY - WCP-30AB 030117 MLK

| MANIFOLD ASS'Y - WCP-30AB 030117 MLK |  |         |     |
|--------------------------------------|--|---------|-----|
| MANIFOLD ASSEMBLY                    |  |         |     |
| ITEM                                 | DESCRIPTION                                  | PART #  | QTY |
| 1                                    | EDGING *(THREE FEET REQUIRED)                | 33-0020 | 1   |
| 2                                    | BOLT   | 27-5277 | 4   |
| 3                                    | WASHER                                       | 28-0121 | 4   |
| 4                                    | MANIFOLD                                     | 21-0116 | 1   |
| 5                                    | DECAL - RAIN WATER OVERFLOW (SEE 71-0098)    | N/A     | 1   |
| 6                                    | DECAL - PRESSURE WASHER OUTLET (SEE 71-0098) | N/A     | 2   |
| 7                                    | ADAPTER                                      | 23-0365 | 4   |
| 8                                    | ADAPTER                                      | 23-0136 | 3   |
| 9                                    | SWIVEL                                       | 23-0095 | 1   |
| 10                                   | FILTER                                       | 19-0001 | 1   |
| 11                                   | DECAL - FRESH WATER INLET (SEE 71-0098)      | N/A     | 1   |
| 12                                   | NIPPLE                                       | 23-0082 | 2   |
| 13                                   | NIPPLE                                       | 23-0012 | 2   |
| 14                                   | BALL VALVE                                   | 22-0279 | 2   |
| 15                                   | REDUCER                                      | 23-0226 | 3   |
| 16                                   | SOLENOID-NC                                  | 22-0442 | 2   |
| 17                                   | CORDSET                                      | 32-0786 | 2   |
| 18                                   | NIPPLE                                       | 23-0359 | 1   |
| 19                                   | HOSE BARB                                    | 23-0358 | 3   |
| 20                                   | HOSE *(TEN FEET REQUIRED)                    | 15-0033 | 3   |
| 21                                   | NIPPLE                                       | 23-0362 | 2   |
| -                                    | DECAL SET                                    | 71-0098 | 1   |
| *MUST ORDER IN ONE FOOT LENGTHS      |  |         |     |

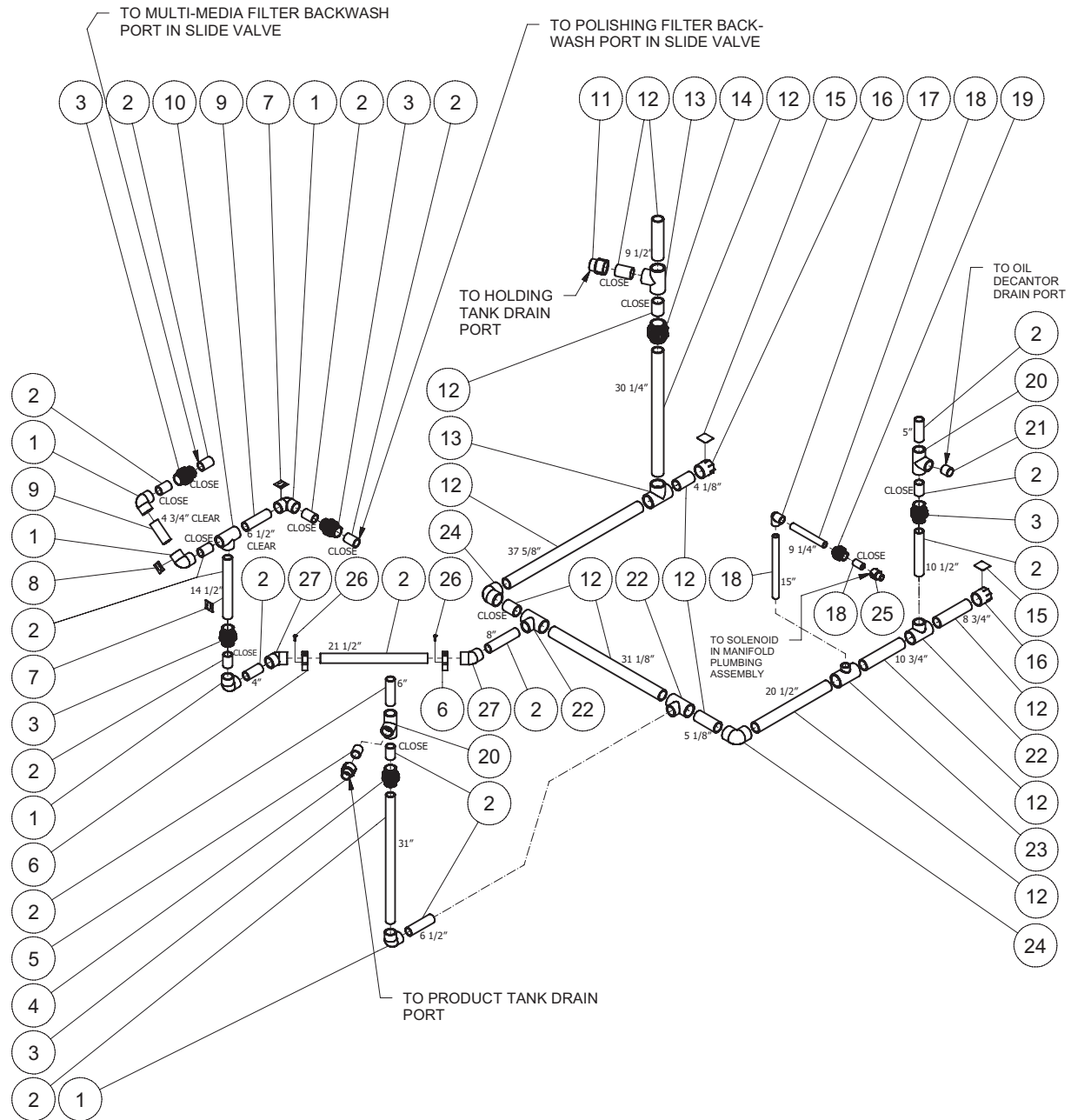
# OIL DECANTER ASSEMBLY (AFTER SERIAL #30000122)



OIL DECANTER ASSEMBLY - WCP-20\_30 011717 MLK

| OIL DECANTER ASSEMBLY WCP-20_30 011717 |                                    |         |     |
|--|------------------------------------|---------|-----|
| OIL DECANTER ASSEMBLY                  |                                    |         |     |
| ITEM                                   | DESCRIPTION                        | PART #  | QTY |
| 1                                      | BULKHEAD (INC. 25-0481 GASKET)     | 55-1686 | 1   |
| 2                                      | NIPPLE                             | 55-1674 | 1   |
| 3                                      | ELBOW                              | 55-1610 | 1   |
| 4                                      | *PIPE 1 1/2" *(TWO FEET REQUIRED)  | 55-1600 | 1   |
| 5                                      | OIL DECANTER TANK                  | 12-0093 | 1   |
| 6                                      | DECAL - OIL DECANTER (SEE 71-0098) | N/A     | 1   |
| 7                                      | BULKHEAD (INC. 25-0506 GASKET)     | 55-0886 | 1   |
| 8                                      | PLUG                               | 55-0840 | 1   |
| 9                                      | HOSE *(THREE FEET REQUIRED)        | 15-0033 | 1   |
| 10                                     | HOSE BARB                          | 23-0358 | 1   |
| 11                                     | NIPPLE                             | 23-0362 | 1   |
| 12                                     | REDUCER                            | 55-1228 | 1   |
| 13                                     | BALL VALVE                         | 55-1255 | 1   |
| 14                                     | *PIPE 1" *(ONE FOOT REQUIRED)      | 55-1200 | 1   |
| 15                                     | ELBOW                              | 55-1210 | 1   |
| 16                                     | NIPPLE                             | 55-1274 | 1   |
| 17                                     | BULKHEAD (INC. 25-0482 GASKET)     | 55-1286 | 1   |
| 18                                     | LOCKNUT                            | 30-5155 | 2   |
| 19                                     | WASHER                             | 28-0121 | 2   |
| 20                                     | LID                                | 12-0096 | 1   |
| 21                                     | HANDLE                             | 7-0164  | 1   |
| 22                                     | BOLT                               | 27-5018 | 2   |
| -                                      | DECAL SET                          | 71-0098 | 1   |
| *MUST ORDER IN ONE FOOT LENGTHS        |                                    |         |     |

## PLUMBING: DRAIN LINE ASSEMBLY (AFTER SERIAL #30000122)



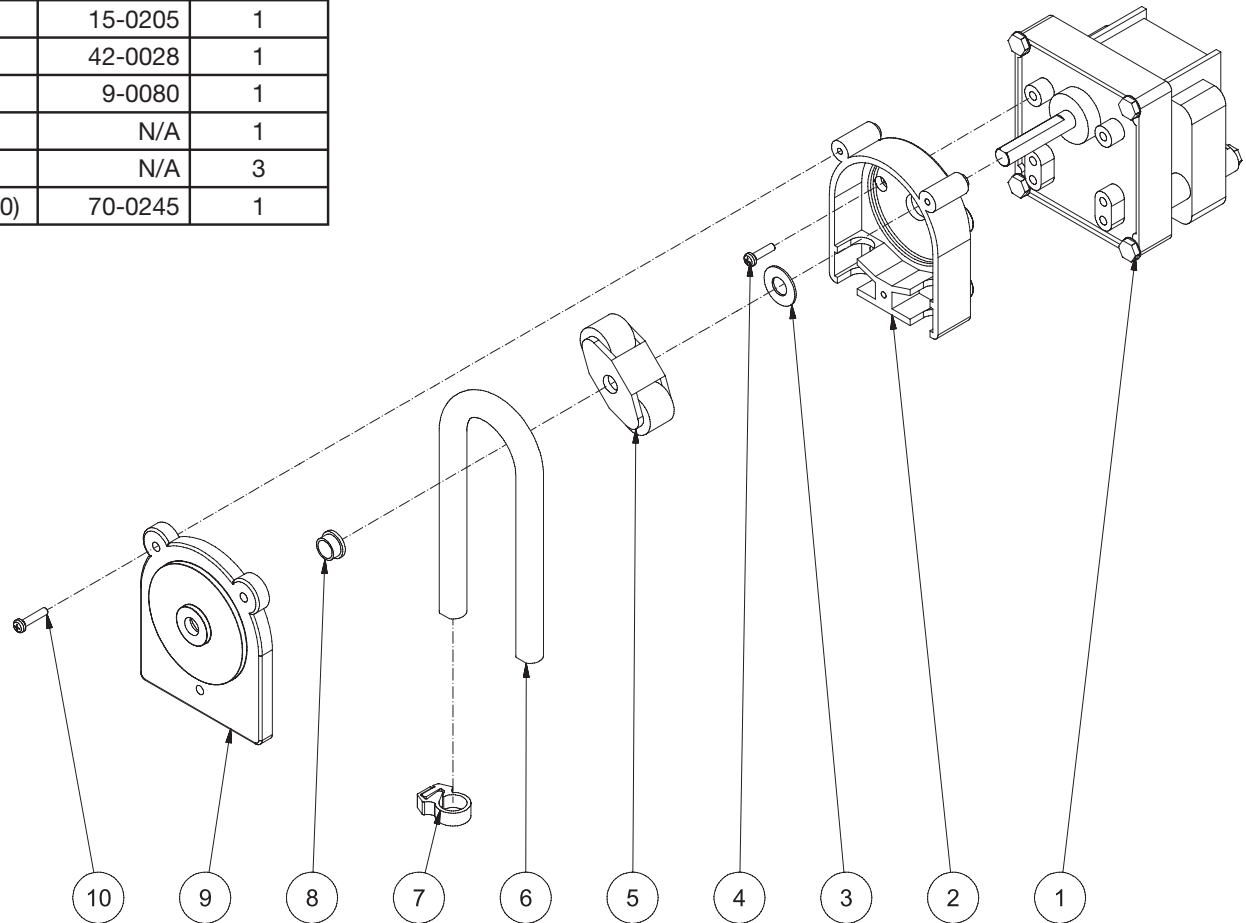
DRAIN LINE ASSEMBLY - WCP-30AB 020117 MLK



| DRAIN LINE ASSEMBLY - WCP-30AB 020117 |   |         |     |
|---------------------------------------|---|---------|-----|
| DRAIN LINE ASSEMBLY                   |   |         |     |
| ITEM                                  | DESCRIPTION                             | PART #  | QTY |
| 1                                     | ELBOW                                   | 55-1609 | 5   |
| 2                                     | *PIPE 1 1/2" *(ELEVEN FEET REQUIRED)    | 55-1600 | 1   |
| 3                                     | UNION - INCLUDES O-RING (25-0448)       | 55-1645 | 5   |
| 4                                     | ADAPTER                                 | 55-1622 | 1   |
| 5                                     | TOE NIPPLE                              | 55-1679 | 1   |
| 6                                     | CLAMP                                   | 42-0026 | 2   |
| 7                                     | DECAL - BACKWASH ARROW (SEE 71-0098)    | N/A     | 2   |
| 8                                     | DECAL - BACKWASH ARROW (SEE 71-0098)    | N/A     | 1   |
| 9                                     | *PIPE 1 1/2" CLEAR *(ONE FOOT REQUIRED) | 55-1685 | 1   |
| 10                                    | TEE                                     | 55-1601 | 1   |
| 11                                    | ADAPTER                                 | 55-1822 | 1   |
| 12                                    | *PIPE 2" *(FOURTEEN FEET REQUIRED)      | 55-1800 | 1   |
| 13                                    | TEE                                     | 55-1801 | 2   |
| 14                                    | UNION - INCLUDES O-RING (25-0449)       | 55-1845 | 1   |
| 15                                    | DECAL                                   | N/A     | 2   |
| 16                                    | ADAPTER                                 | 55-1821 | 2   |
| 17                                    | ELBOW                                   | 55-1209 | 1   |
| 18                                    | *PIPE 1" *(THREE FEET REQUIRED)         | 55-1200 | 1   |
| 19                                    | UNION - INCLUDES O-RING (25-0447)       | 55-1245 | 1   |
| 20                                    | TEE                                     | 55-1607 | 2   |
| 21                                    | NIPPLE                                  | 55-1674 | 1   |
| 22                                    | TEE                                     | 55-1802 | 3   |
| 23                                    | TEE                                     | 55-1804 | 1   |
| 24                                    | ELBOW                                   | 55-1809 | 2   |
| 25                                    | MALE ADAPTER                            | 55-1222 | 1   |
| 26                                    | BOLT                                    | 27-5018 | 2   |
| 27                                    | ELBOW                                   | 55-1612 | 2   |
| -                                     | DECAL SET                               | 71-0098 | 1   |
| *MUST ORDER IN ONE FOOT LENGTHS       |   |         |     |

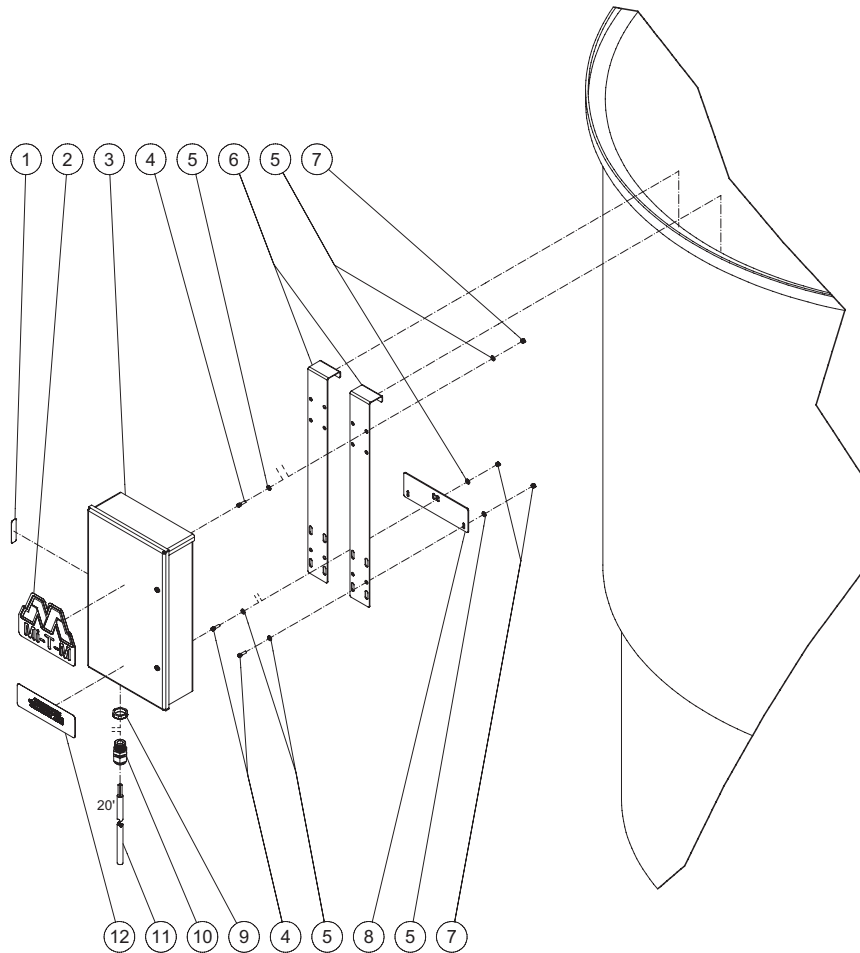
## PH / ORP PUMP (3-0316) (AFTER SERIAL #30001104)

| 3-0316 030110-PJH |  |         |     |
|-------------------|--|---------|-----|
| PUMP (3-0316)     |  |         |     |
| ITEM              | DESCRIPTION                              | PART #  | QTY |
| 1                 | MOTOR                                    | N/A     | 1   |
| 2                 | HOUSING (SEE 70-0245)                    | N/A     | 1   |
| 3                 | WASHER                                   | N/A     | 1   |
| 4                 | SCREW                                    | 27-2771 | 4   |
| 5                 | ROLLER BRACKET ASSEMBLY                  | 46-0830 | 1   |
| 6                 | TUBE                                     | 15-0205 | 1   |
| 7                 | CLAMP                                    | 42-0028 | 1   |
| 8                 | BUSHING                                  | 9-0080  | 1   |
| 9                 | PUMP COVER (SEE 70-0245)                 | N/A     | 1   |
| 10                | SCREW (SEE 70-0245)                      | N/A     | 3   |
| -                 | PH/OPR PUMP KIT (INC. 2, 3, 4, 8, 9, 10) | 70-0245 | 1   |



3-0316 030110-PJH

## OZONE GENERATOR MOUNTING (AFTER SERIAL #30007551)

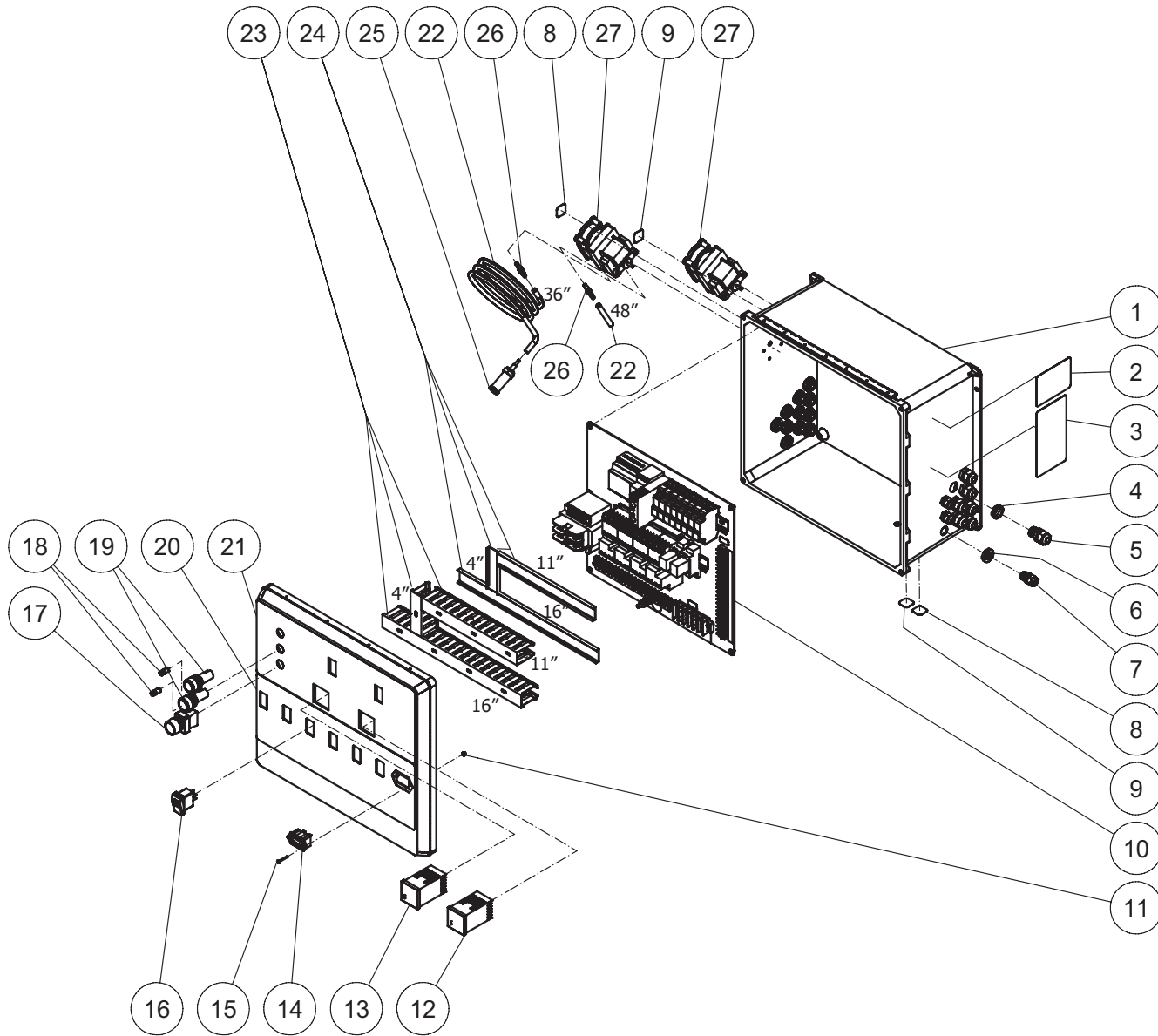


| 855-0046_8 040816 MLK    |  |            |     |
|--------------------------|--|------------|-----|
| OZONE GENERATOR MOUNTING |  |            |     |
| ITEM                     | DESCRIPTION                              | PART #     | QTY |
| 1                        | DECAL - OZONE GENERATOR SERIAL #         | N/A        | 1   |
| 2                        | DECAL - #3M                              | 34-2169    | 1   |
| 3                        | OZONE GEN-LOW FLOW 110-230VAC (855-0046) | 32-1192    | 1   |
| -                        | OZONE GEN-MED FLOW 110-230VAC (855-0048) | 32-1193    | 1   |
| 4                        | BOLT                                     | 27-8835    | 5   |
| 5                        | WASHER                                   | 28-0010    | 10  |
| 6                        | HANGER BRACKET                           | 21-0177    | 2   |
| 7                        | LOCKNUT                                  | 30-8152    | 5   |
| 8                        | OZONE GEN. FIT PLATE - PAINTED           | 20-1445A18 | 1   |
| 9                        | LOCKNUT                                  | 32-0108    | 1   |
| 10                       | STRAIN RELIEF                            | 32-0437    | 1   |
| 11                       | CORD                                     | 32-0074    | 1   |
| 12                       | DECAL: OZONE GENERATOR                   | 34-2115    | 1   |

| UNIT MODEL NUMBER | 855-0046 | 855-0048 |
|-------------------|----------|----------|
| BIO-15-010/30     | X        |          |
| WCP-10-0M10       | X        |          |
| WCP-10AB-0M10/30  | X        |          |
| WCP-20-0M10       |          | X        |
| WCP-30-0M10       |          | X        |
| WCP-30AB-0M10/30  |          | X        |
| WCL-30D-0M10      |          | X        |

855-0046\_8 040816 MLK

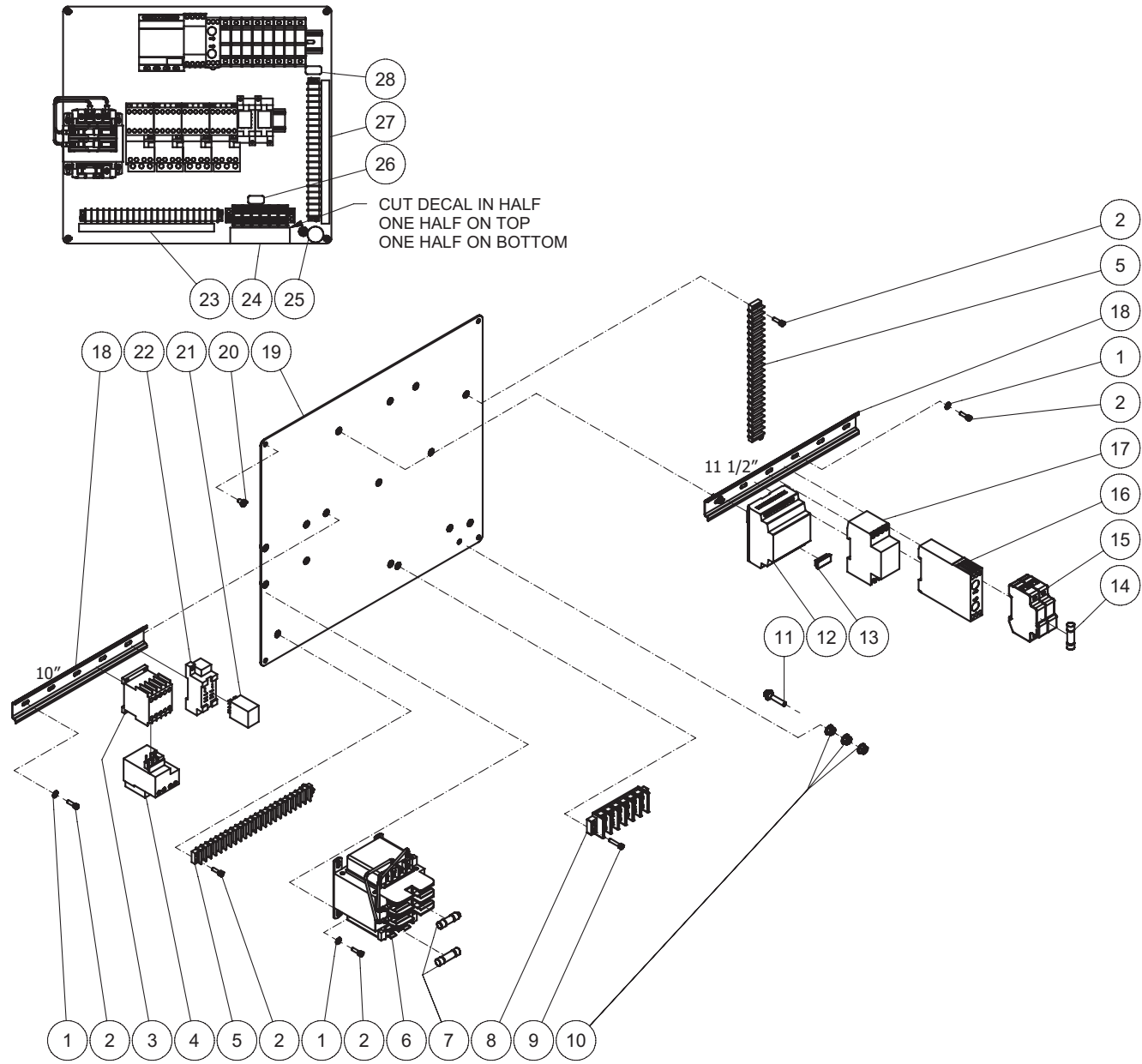
# CONTROL PANEL (AFTER SERIAL #30001104)



CONTROL PANEL ASSEMBLY - WCP-30AB 020317 MLK

| CONTROL PANEL ASSEMBLY - WCP-30AB 020317 MLK |  |         |     |
|--|--|---------|-----|
| CONTROL PANEL ASSEMBLY                       |  |         |     |
| ITEM   | DESCRIPTION                                  | PART #  | QTY |
| 1  | ELECTRIC BOX                                 | 32-0543 | 1   |
| 2  | DECAL - DATA PLATE                           | 34-1138 | 1   |
| 3  | DECAL - RISK OF ELECTROCUTION (SEE 71-0098)  | N/A     | 1   |
| 4  | ELECTRICAL LOCKNUT                           | 32-0108 | 14  |
| 5  | STRAIN RELIEF                                | 32-0437 | 14  |
| 6  | ELECTRICAL LOCKNUT                           | 32-0587 | 7   |
| 7  | STRAIN RELIEF                                | 32-0586 | 7   |
| 8  | DECAL - ORP (SEE 71-0098)                    | N/A     | 2   |
| 9  | DECAL - PH (SEE 71-0098)                     | N/A     | 2   |
| 10   | CONTROL PANEL PLATE ASSY                     | N/A     | 1   |
| 11   | LOCKNUT                                      | 30-8151 | 2   |
| 12   | ORP METER                                    | 32-0807 | 1   |
| 13   | PH METER                                     | 32-0806 | 1   |
| 14   | HOUR METER                                   | 32-0668 | 1   |
| 15   | BOLT   | 27-8928 | 2   |
| 16   | ROCKER SWITCH                                | 32-0669 | 9   |
| 17   | SWITCH PUSH BUTTON                           | 32-0534 | 1   |
| 18   | BULB   | 32-0937 | 2   |
| 19   | INDICATOR LIGHT                              | 32-0803 | 2   |
| 20   | DECAL - OPERATING INSTRUCTIONS (SEE 71-0098) | N/A     | 1   |
| 21   | DECAL - AUTO BACKWASH CONTROL (SEE 71-0098)  | N/A     | 1   |
| 22   | CHEMICAL HOSE *(FOURTEEN FEET REQUIRED)      | 15-0021 | 1   |
| 23   | DUCT *(THREE FEET REQUIRED)                  | 32-0555 | 1   |
| 24   | DUCT *(THREE FEET REQUIRED)                  | 32-0318 | 1   |
| 25   | STRAINER                                     | 19-0056 | 2   |
| 26   | HOSE MENDER                                  | 55-0022 | 4   |
| 27   | PUMP   | 3-0316  | 2   |
| -  | DECAL SET                                    | 71-0098 | 1   |
| *MUST ORDER IN ONE FOOT LENGTHS              |  |         |     |

# CONTROL PANEL PLATE ASSEMBLY (SINGLE PHASE) (AFTER SERIAL #30001104)

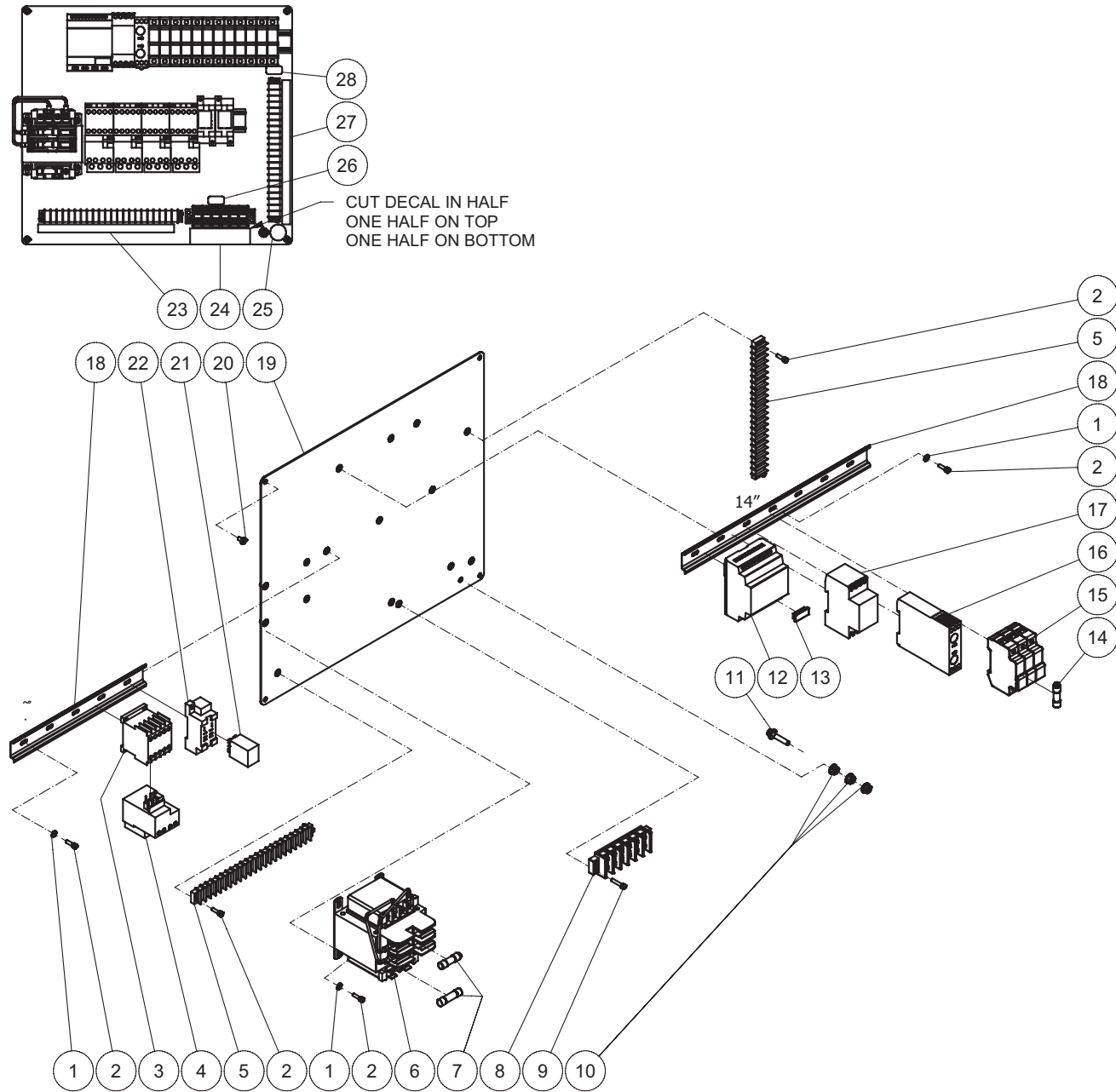


CONTROL PANEL PLATE ASSY - WCP-30AB-0M10 030317 MLK

| CONTROL PANEL PLATE ASSY - WCP-30AB-0M10 030317 MLK |  |            |     |
|---|--|------------|-----|
| CONTROL PANEL PLATE ASSEMBLY (SINGLE PHASE)         |  |            |     |
| ITEM  | DESCRIPTION  | PART #     | QTY |
| 1   | STAR WASHER  | 28-1009    | 8   |
| 2   | SCREW  | 27-8835    | 12  |
| 3   | CONTACTOR  | 32-1009    | 4   |
| 4   | OVERLOAD (SUMP PUMP)   | 3-0328     | 1   |
| -   | OVERLOAD (FILTER PUMP)                                       | 3-0329     | 1   |
| -   | OVERLOAD (TRANSFER PUMP)                                     | 3-0218     | 1   |
| -   | OVERLOAD (OZONE PUMP)  | 3-0186     | 1   |
| -   | OVERLOAD (SUMP 1Ø 230V)                                      | 32-1016    | 1   |
| -   | OVERLOAD (FILTER 1Ø 230V; TRANSFER 1Ø 230V)                  | 32-1017    | 1   |
| -   | OVERLOAD (OZONE 1Ø 230V)                                     | 32-1015    | 1   |
| 5   | TERMINAL STRIP   | 32-0463    | 2   |
| 6   | TRANSFORMER  | 32-0618    | 1   |
| 7   | TRANSFORMER FUSES (PRIMARY)                                  | 32-0740    | 2   |
| -   | TRANSFORMER FUSES (SECONDARY)                                | 32-1055    | 1   |
| 8   | TERMINAL BLOCK   | 32-0536    | 1   |
| 9   | BOLT   | 27-8930    | 2   |
| 10  | NUT  | 30-3022    | 3   |
| 11  | BOLT   | 27-8898    | 1   |
| 12  | PROGRAMMABLE RELAY   | 32-0778    | 1   |
| 13  | PROGRAMMABLE RELAY CHIP                                      | 32-0779    | 1   |
| 14  | MOTOR FUSES (SUMP PUMP)                                      | 3-0328     | 1   |
| -   | MOTOR FUSES (FILTER PUMP)                                    | 3-0329     | 1   |
| -   | MOTOR FUSES (TRANSFER PUMP)                                  | 3-0218     | 1   |
| -   | MOTOR FUSES (OZONE PUMP)                                     | 3-0186     | 1   |
| -   | MOTOR FUSES (SUMP 1Ø 230V; FILTER 1Ø 230V; TRANSFER 1Ø 230V) | 32-1026    | 2   |
| -   | MOTOR FUSES (OZONE 1Ø 230V)                                  | 32-1025    | 2   |
| 15  | FUSE HOLDER  | 32-1006    | 4   |
| 16  | RELAY TIMER  | 32-0822    | 1   |
| 17  | TIMER  | 32-1018    | 1   |
| 18  | DIN RAIL *(TWO FEET REQUIRED)                                | 32-0316    | 1   |
| 19  | ELECTRICAL PLATE   | 20-1159A06 | 1   |
| 20  | SCREW  | 27-8933    | 4   |
| 21  | RELAY  | 32-1008    | 2   |
| 22  | SOCKET - RELAY 8 PIN   | 32-0321    | 2   |
| 23  | DECAL - TERMINAL STRIP #23-44 (SEE 71-0098)                  | N/A        | 1   |
| 24  | DECAL - TERMINAL STRIP #45-50 (SEE 71-0098)                  | N/A        | 1   |
| 25  | DECAL - GROUND PICTORIAL (SEE 71-0098)                       | N/A        | 1   |
| 26  | DECAL - 230 VOLT (SEE 71-0098)                               | N/A        | 1   |
| 27  | DECAL - TERMINAL STRIP #01-22 (SEE 71-0098)                  | N/A        | 1   |
| 28  | DECAL - 115 VOLT (SEE 71-0098)                               | N/A        | 1   |
| -   | DECAL SET  | 71-0098    | 1   |

\*MUST ORDER IN ONE FOOT LENGTHS

# CONTROL PANEL PLATE ASSEMBLY (THREE PHASE) (AFTER SERIAL #30001104)

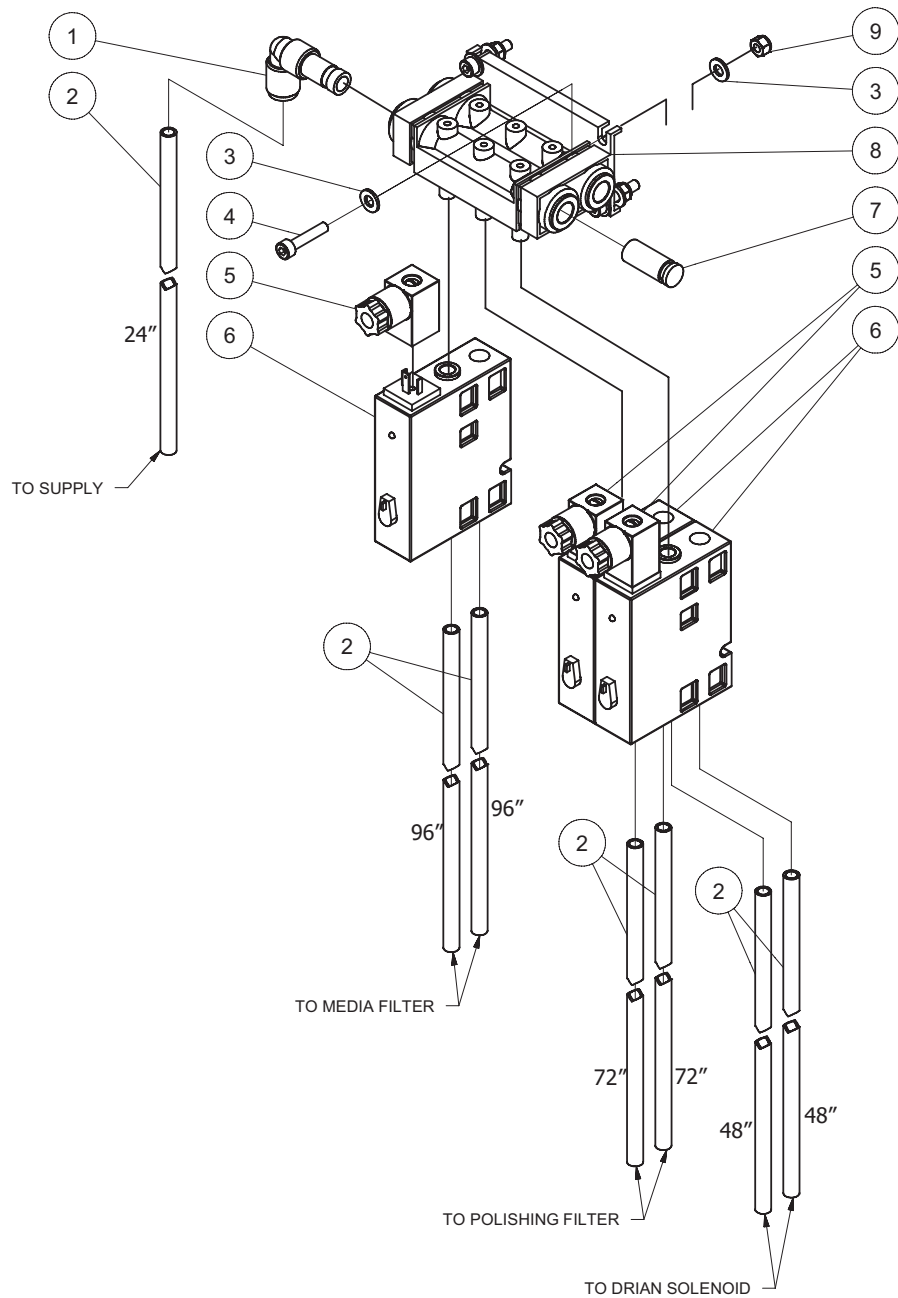


CONTROL PANEL PLATE ASSY - WCP-30AB-0M30 030317 MLK



| CONTROL PANEL PLATE ASSY - WCP-30AB-0M30 030317 MLK |   |            |     |
|---|---|------------|-----|
| CONTROL PANEL PLATE ASSEMBLY (THREE PHASE)          |   |            |     |
| ITEM  | DESCRIPTION   | PART #     | QTY |
| 1   | STAR WASHER   | 28-1009    | 8   |
| 2   | SCREW   | 27-8835    | 12  |
| 3   | CONTACTOR   | 32-1009    | 4   |
| 4   | OVERLOAD (PUMP SUMP)  | 3-0317     | 1   |
| -   | OVERLOAD (PUMP FILTER)  | 3-0319     | 1   |
| -   | OVERLOAD (PUMP TRANSFER)  | 3-0324     | 1   |
| -   | OVERLOAD (PUMP OZONE)   | 3-0322     | 1   |
| -   | OVERLOAD (SUMP 3Ø 208V, 230V)                                       | 32-1014    | 1   |
| -   | OVERLOAD (FILTER 3Ø 208V, 230V; TRANSFER 3Ø 208V, 230V)             | 32-1015    | 1   |
| -   | OVERLOAD (OZONE 3Ø 208V, 230V; TRANSFER 3Ø 460V; FILTER 3Ø 460V)    | 32-1012    | 1   |
| -   | OVERLOAD (SUMP 3Ø 460V)   | 32-1011    | 1   |
| -   | OVERLOAD (OZONE 3Ø 460V)  | 32-1010    | 1   |
| 5   | TERMINAL STRIP  | 32-0463    | 2   |
| 6   | TRANSFORMER   | 32-0618    | 1   |
| 7   | TRANSFORMER FUSES (PRIMARY 3Ø 208V, 230V)                           | 32-0740    | 2   |
| -   | TRANSFORMER FUSES (PRIMARY 3Ø 460V)                                 | 32-0467    | 2   |
| -   | TRANSFORMER FUSES (SECONDARY 3Ø 208V, 230V, 460V)                   | 32-1055    | 1   |
| 8   | TERMINAL BLOCK  | 32-0536    | 1   |
| 9   | BOLT  | 27-8930    | 2   |
| 10  | NUT   | 30-3022    | 3   |
| 11  | BOLT  | 27-8898    | 1   |
| 12  | PROGRAMMABLE RELAY  | 32-0778    | 1   |
| 13  | PROGRAMMABLE RELAY CHIP   | 32-0779    | 1   |
| 14  | MOTOR FUSES (PUMP SUMP)   | 3-0317     | 1   |
| -   | MOTOR FUSES (PUMP FILTER)   | 3-0319     | 1   |
| -   | MOTOR FUSES (PUMP TRANSFER)   | 3-0324     | 1   |
| -   | MOTOR FUSES (PUMP OZONE)  | 3-0322     | 1   |
| -   | MOTOR FUSES (SUMP 3Ø 208V, 230V)                                    | 32-1024    | 3   |
| -   | MOTOR FUSES (FILTER 3Ø 208V, 230V; TRANSFER 3Ø 208V, 230V)          | 32-1025    | 3   |
| -   | MOTOR FUSES (OZONE 3Ø 208V, 230V; TRANSFER 3Ø 460V; FILTER 3Ø 460V) | 32-0470    | 3   |
| -   | MOTOR FUSES (SUMP 3Ø 460V)  | 32-1023    | 3   |
| -   | MOTOR FUSES (OZONE 3Ø 460V)   | 32-0741    | 3   |
| 15  | FUSE HOLDER   | 32-1007    | 4   |
| 16  | RELAY TIMER   | 32-0822    | 1   |
| 17  | TIMER   | 32-1018    | 1   |
| 18  | DIN RAIL  | 32-0316    | 2   |
| 19  | ELECTRICAL PLATE  | 20-1159A06 | 1   |
| 20  | SCREW   | 27-8933    | 4   |
| 21  | RELAY   | 32-1008    | 2   |
| 22  | SOCKET - RELAY 8 PIN  | 32-0321    | 2   |
| 23  | DECAL - TERMINAL STRIP #23-44 (SEE 71-0098)                         | 34-0886    | 1   |
| 24  | DECAL - TERMINAL STRIP #45-50 (SEE 71-0098)                         | N/A        | 1   |
| 25  | DECAL - GROUND PICTORIAL (SEE 71-0098)                              | N/A        | 1   |
| 26  | DECAL - 230 VOLT (SEE 71-0098)                                      | N/A        | 1   |
| -   | DECAL - 460 VOLT  | N/A        | 1   |
| 27  | DECAL - TERMINAL STRIP #01-22 (SEE 71-0098)                         | N/A        | 1   |
| 28  | DECAL - 115 VOLT (SEE 71-0098)                                      | N/A        | 1   |
| -   | DECAL SET   | 71-0098    | 1   |

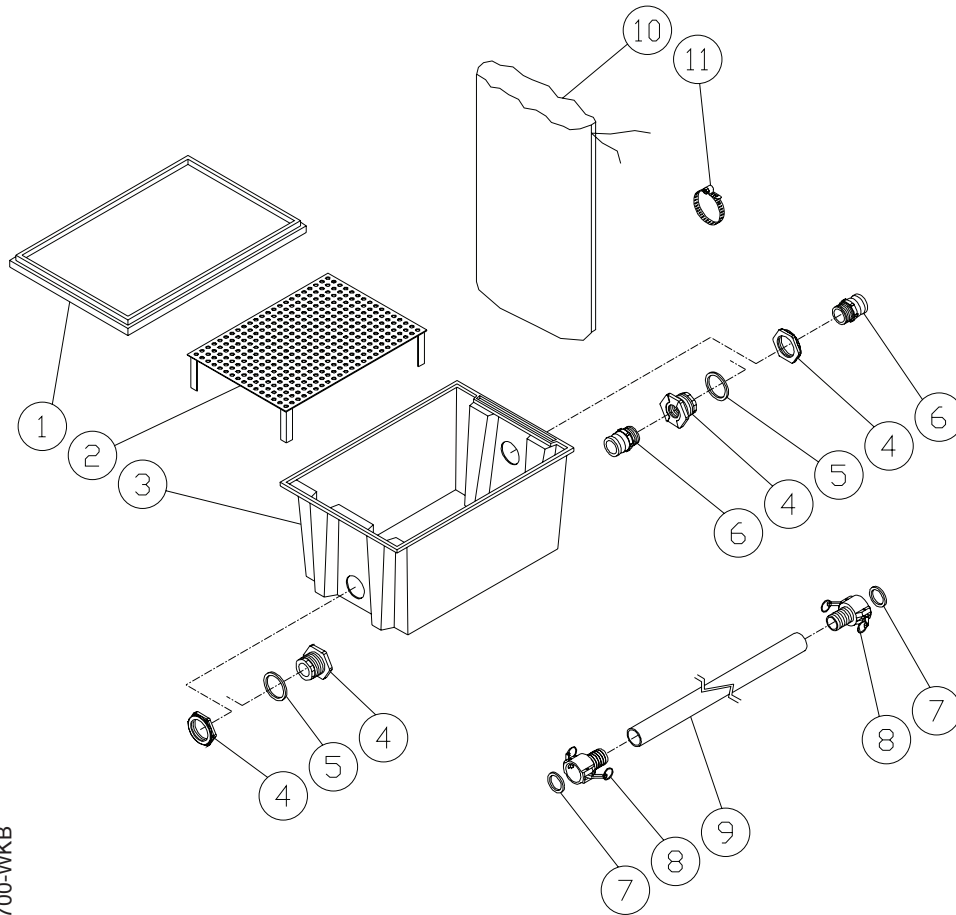
### AIR CONTROL SYSTEM (3)



| AIR CONTROL SYSTEM 031417 MLK   |                                    |         |     |
|---------------------------------|------------------------------------|---------|-----|
| AIR CONTROL SYSTEM ASSEMBLY     |                                    |         |     |
| ITEM                            | DESCRIPTION                        | PART #  | QTY |
| 1                               | ELBOW                              | 55-0091 | 1   |
| 2                               | HOSE *(THIRTY EIGHT FEET REQUIRED) | 15-0240 | 1   |
| 3                               | WASHER                             | 28-0010 | 8   |
| 4                               | BOLT                               | 27-8930 | 4   |
| 5                               | DIN CORD                           | 32-0772 | 3   |
| 6                               | AIR CONTROL VALVE                  | 22-0443 | 3   |
| 7                               | PLUG                               | N/A     | 1   |
| 8                               | AIR MANIFOLD                       | 22-0352 | 1   |
| 9                               | LOCKNUT                            | 30-8152 | 4   |
| *MUST ORDER IN ONE FOOT LENGTHS |                                    |         |     |

## SLUDGE BOX ASSEMBLY (855-0017)

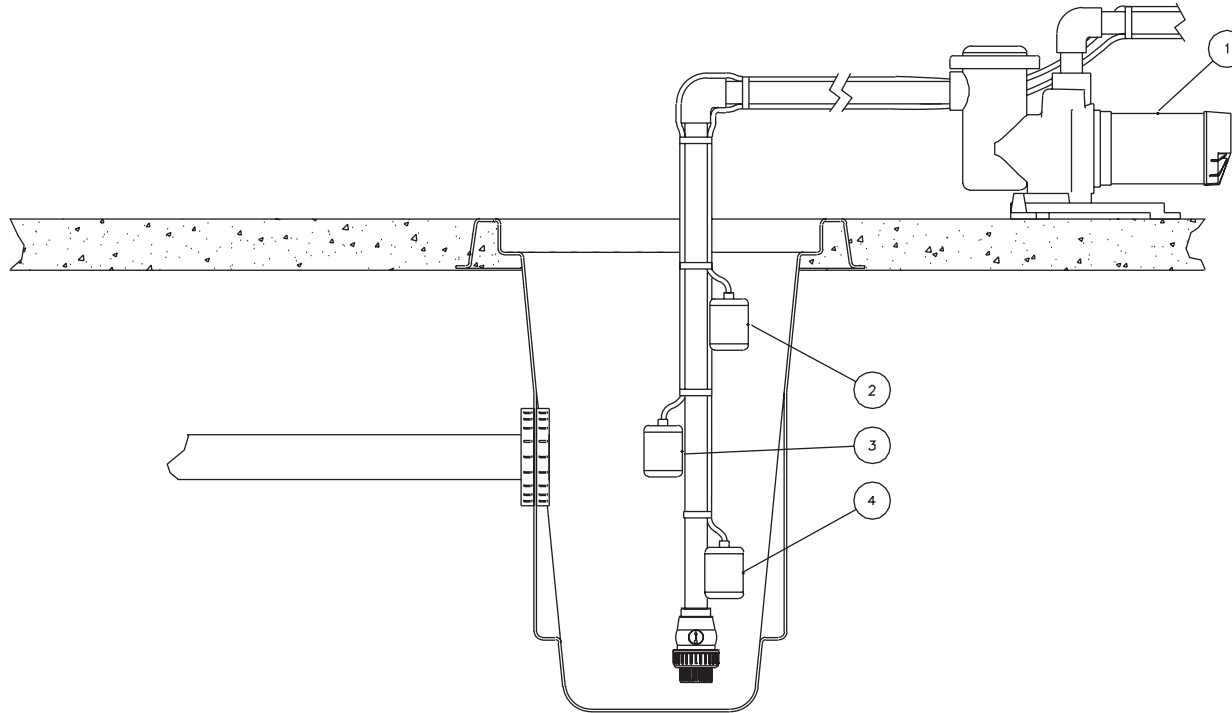
855-0017-040700-WKB



| SLUDGE BOX ASSEMBLY (855-0017)  |                                    |          |      |
|---------------------------------|------------------------------------|----------|------|
| REF. #                          | DESCRIPTION                        | PART #   | QTY. |
| 1                               | Lid                                | 33-0341  | 1    |
| 2                               | Riser Plate                        | 21-0126  | 1    |
| 3                               | Sludge Box                         | 33-0344  | 1    |
| 4                               | Bulkhead (Includes Gasket 25-0481) | 55-1886  | 2    |
| 5                               | Gasket                             | 25-0481  | 2    |
| 6                               | Adapter                            | 55-0054  | 2    |
| 7                               | Gasket                             | 25-0476  | 2    |
| 8                               | Coupler (Includes Gasket 25-0476)  | 55-0055  | 2    |
| 9                               | Hose *(Ten Feet Required)          | 15-0213  | 1    |
| 10                              | Filter Bag                         | 41-0190  | 5    |
| 11                              | Hose Clamp                         | 42-0027  | 1    |
|                                 | Complete Sludge Box (Inc. 1-11)    | 855-0017 |      |
| *Must Order in One Foot Lengths |                                    |          |      |

855-0017-040700-WKB

## SUMP PIT ASSEMBLY

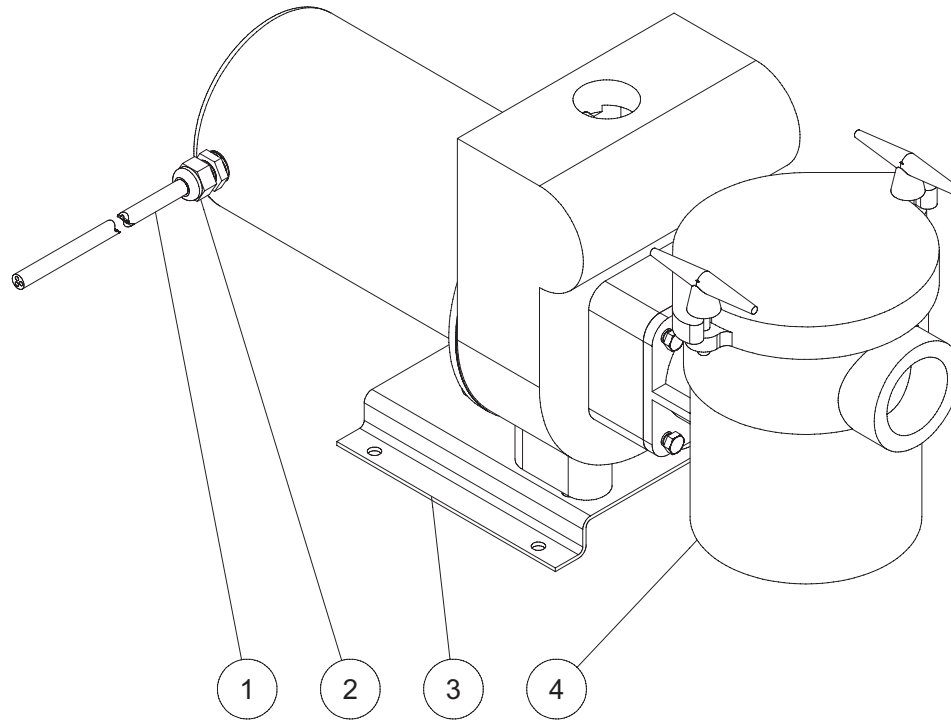


SUMP PIT ASSY-121901-KS

| <b>SUMP PIT ASSEMBLY</b> |                        |          |      |
|--------------------------|------------------------|----------|------|
| REF. #                   | DESCRIPTION            | PART #   | QTY. |
| 1                        | Sump Pump Assembly     | 855-0024 | 1    |
| 2                        | Float- Normally Open   | 32-0545  | 1    |
| 3                        | Float- Normally Closed | 32-0530  | 1    |
| 4                        | Float- Normally Open   | 32-0528  | 1    |

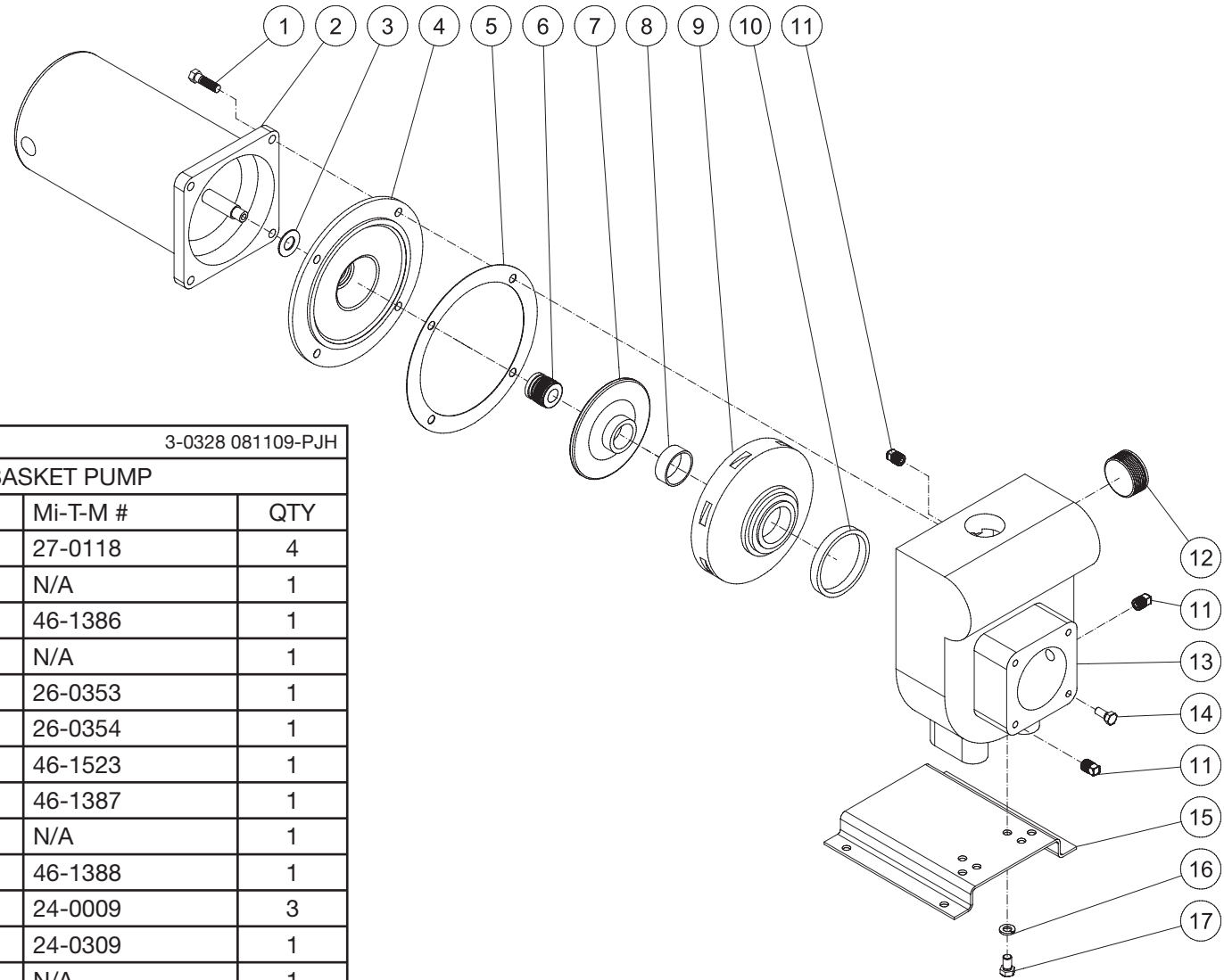
SUMP PIT ASSY-121901-KS

## SUMP PUMP ASSEMBLY



| SUMP PUMP ASSEMBLY - WCP-30AB 041917 |  |         |     |
|--------------------------------------|--|---------|-----|
| SUMP PUMP ASSEMBLY                   |  |         |     |
| ITEM                                 | DESCRIPTION                                  | PART #  | QTY |
| 1                                    | CORD (0M10)                                  | 32-0074 | 1   |
| -                                    | CORD (0M30)                                  | 32-0247 | 1   |
| 2                                    | STRAIN RELIEF                                | 32-0437 | 1   |
| 3                                    | PUMP (0M30)                                  | 3-0317  | 1   |
| -                                    | PUMP (0M10)                                  | 3-0328  | 1   |
| 4                                    | TRAP & BASKET                                | 33-0491 | 1   |
| 5                                    | TERMINAL FORK                                | 32-0003 | 2   |
| 6                                    | TERMINAL RING                                | 32-0099 | 1   |
| -                                    | BASKET (NOT SHOWN) (REPLACEMENT ONLY)        | 33-0502 | 1   |
| -                                    | BASKET O-RING (NOT SHOWN) (REPLACEMENT ONLY) | 25-0623 | 1   |
| -                                    | GASKET FOR 33-0491                           | 26-0356 | 1   |

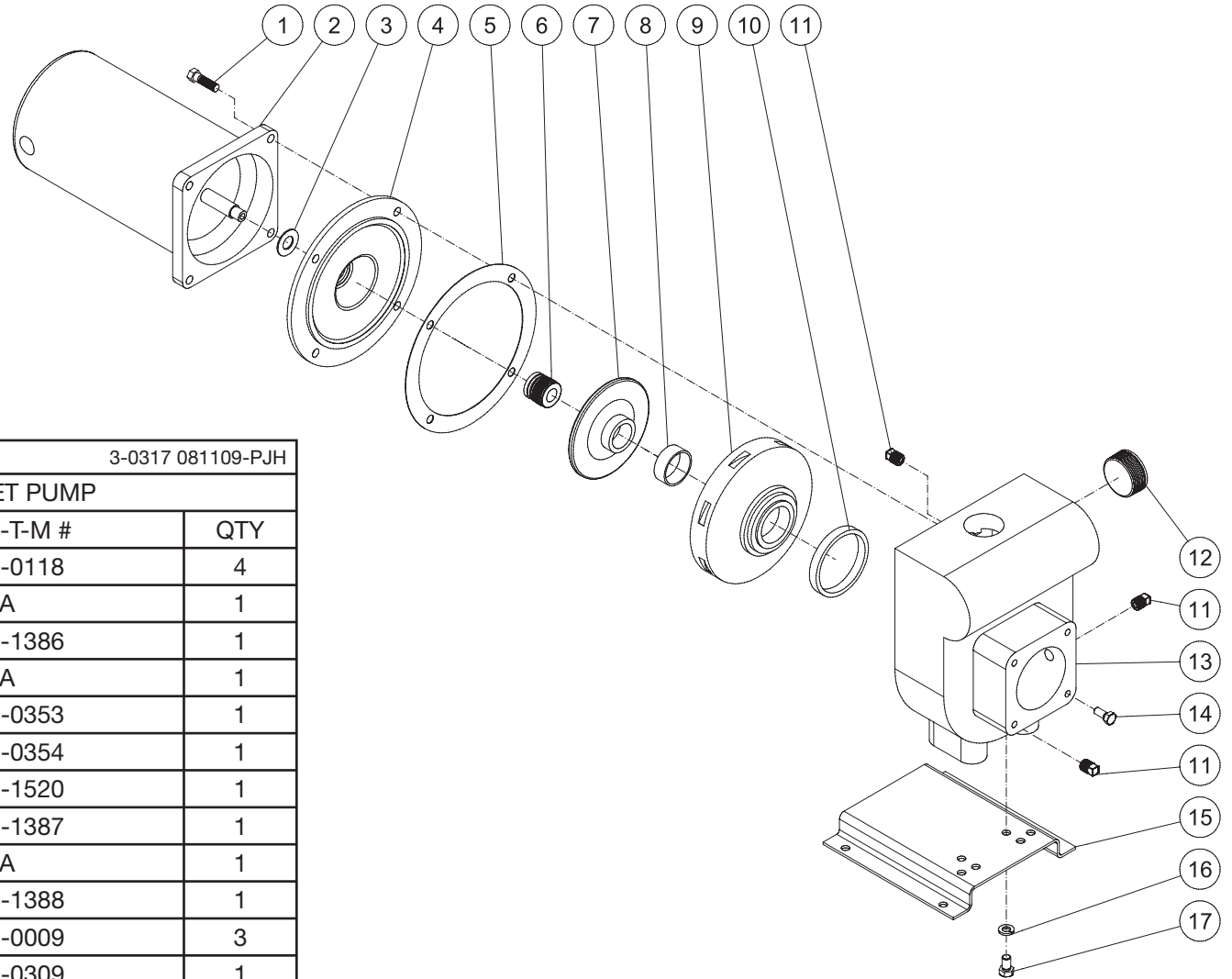
### SUMP PUMP (3-0328) (SINGLE PHASE)



| 3-0328 081109-PJH    |               |          |     |
|----------------------|---------------|----------|-----|
| STRAINER BASKET PUMP |               |          |     |
| ITEM                 | DESCRIPTION   | Mi-T-M # | QTY |
| 1                    | BOLT          | 27-0118  | 4   |
| 2                    | PUMP/FILTER   | N/A      | 1   |
| 3                    | WATER SLINGER | 46-1386  | 1   |
| 4                    | SEAL PLATE    | N/A      | 1   |
| 5                    | GASKET        | 26-0353  | 1   |
| 6                    | SHAFT SEAL    | 26-0354  | 1   |
| 7                    | IMPELLER      | 46-1523  | 1   |
| 8                    | WEAR RING     | 46-1387  | 1   |
| 9                    | DIFFUSER      | N/A      | 1   |
| 10                   | DIFFUSER RING | 46-1388  | 1   |
| 11                   | PLUG          | 24-0009  | 3   |
| 12                   | PLUG          | 24-0309  | 1   |
| 13                   | PUMP BODY     | N/A      | 1   |
| 14                   | BOLT          | 27-0066  | 4   |
| 15                   | BASE          | N/A      | 1   |
| 16                   | LOCKWASHER    | 29-0008  | 2   |
| 17                   | BOLT          | N/A      | 2   |

3-0328 081109-PJH

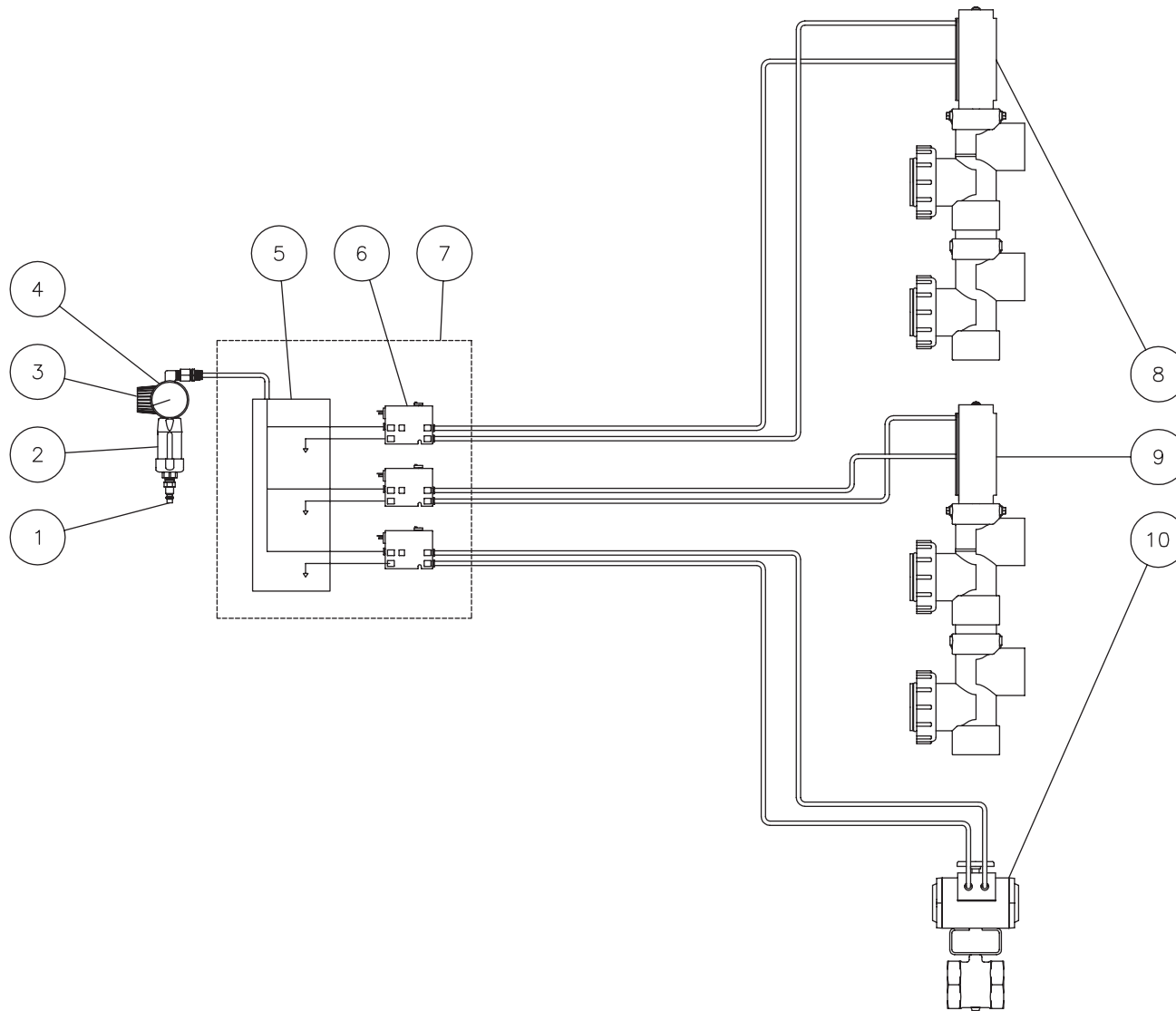
### SUMP PUMP (3-0317) (THREE PHASE)



| 3-0317 081109-PJH    |               |          |     |
|----------------------|---------------|----------|-----|
| STRAINER BASKET PUMP |               |          |     |
| ITEM                 | DESCRIPTION   | Mi-T-M # | QTY |
| 1                    | BOLT          | 27-0118  | 4   |
| 2                    | PUMP/FILTER   | N/A      | 1   |
| 3                    | WATER SLINGER | 46-1386  | 1   |
| 4                    | SEAL PLATE    | N/A      | 1   |
| 5                    | GASKET        | 26-0353  | 1   |
| 6                    | SHAFT SEAL    | 26-0354  | 1   |
| 7                    | IMPELLER      | 46-1520  | 1   |
| 8                    | WEAR RING     | 46-1387  | 1   |
| 9                    | DIFFUSER      | N/A      | 1   |
| 10                   | DIFFUSER RING | 46-1388  | 1   |
| 11                   | PLUG          | 24-0009  | 3   |
| 12                   | PLUG          | 24-0309  | 1   |
| 13                   | PUMP BODY     | N/A      | 1   |
| 14                   | BOLT          | 27-0066  | 4   |
| 15                   | BASE          | N/A      | 1   |
| 16                   | LOCKWASHER    | 29-0008  | 2   |
| 17                   | BOLT          | N/A      | 2   |

3-0317 081109-PJH

# PNEUMATIC DIAGRAM



PNEUMATIC DIAGRAM-022305-ASY

| PNEUMATIC DIAGRAM |                              |
|-------------------|------------------------------|
| REF. #            | DESCRIPTION                  |
| 1                 | Air Inlet Connection         |
| 2                 | Air Dryer                    |
| 3                 | Air Regulator                |
| 4                 | Pressure Gauge               |
| 5                 | Air Manifold                 |
| 6                 | Air Control Valve            |
| 7                 | Air Manifold Assembly        |
| 8                 | Multi-Media Filter Valve     |
| 9                 | Polishing Filter Valve       |
| 10                | Automatic Solids Drain Valve |

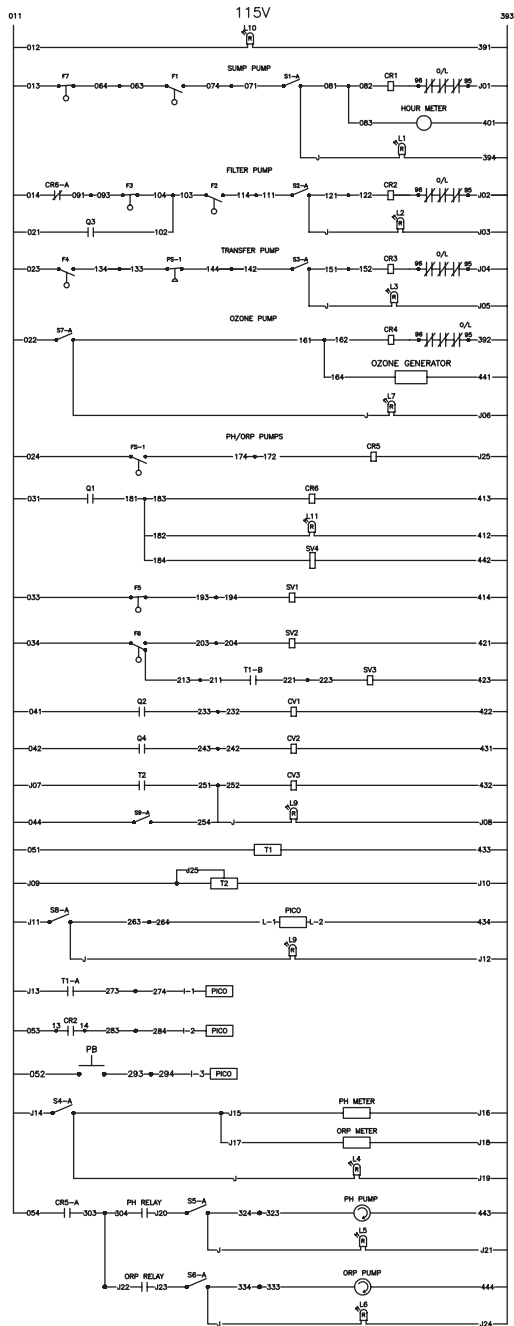


---

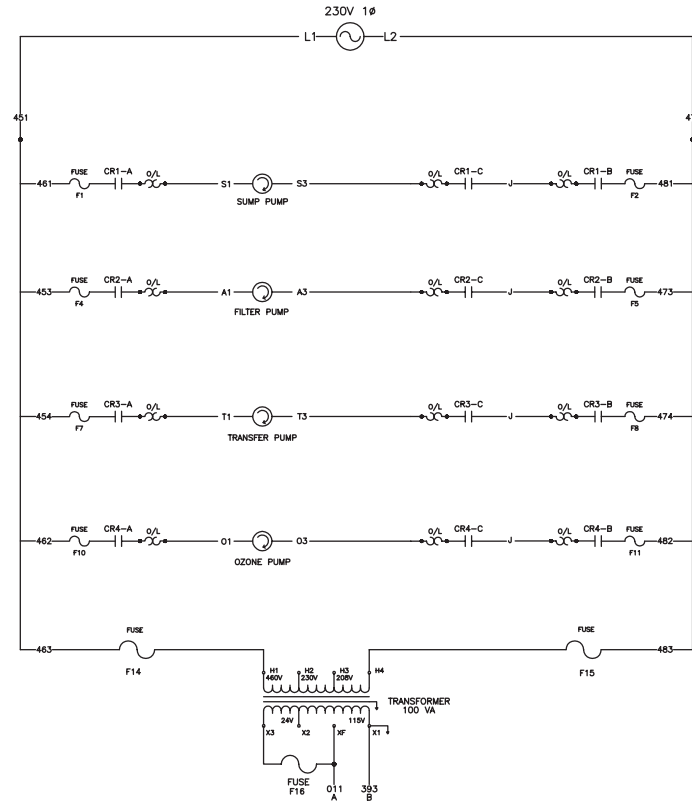
## NOTES

---

# LADDER DIAGRAM (SINGLE PHASE)

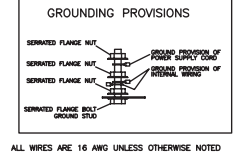
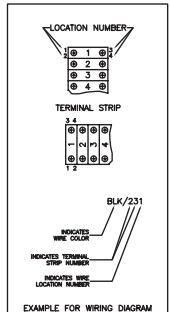
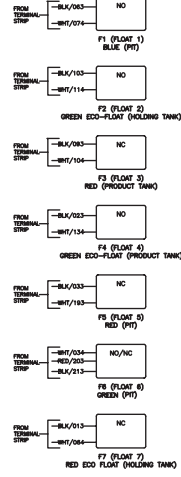
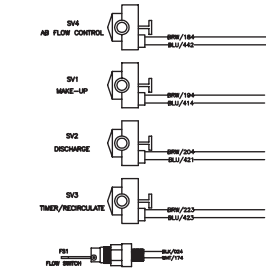
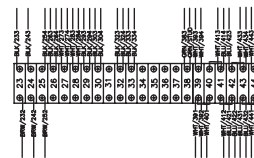
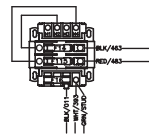
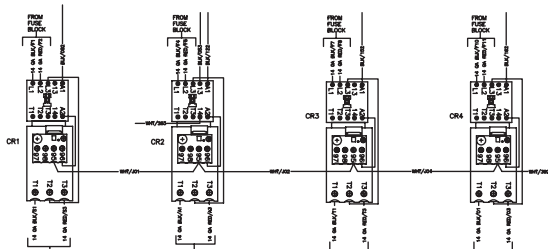
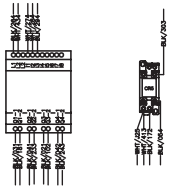
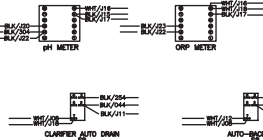
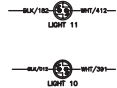
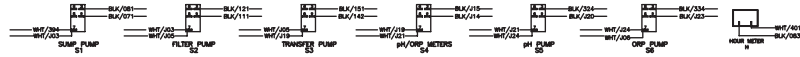
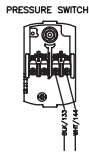
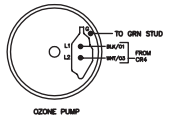
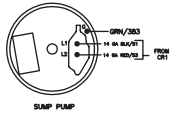
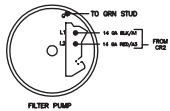
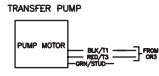


- LEGEND:
- CR1 = CONTROL RELAY, SUMP PUMP
  - CR2 = CONTROL RELAY, FILTER PUMP
  - CR3 = CONTROL RELAY, TRANSFER PUMP
  - CR5 = CONTROL RELAY, PH/ORP PUMPS
  - CR6 = CONTROL RELAY, TRANSFER PUMP CIRCUIT
  - CV1 = CONTROL VALVE, MULTI-MEDIA VALVE
  - CV2 = CONTROL VALVE, POLISHING VALVE
  - S1 = SWITCH, SUMP PUMP
  - S2 = SWITCH, FILTER PUMP
  - S3 = SWITCH, TRANSFER PUMP
  - S4 = SWITCH, PH/ORP METERS
  - S5 = SWITCH, PH PUMP
  - S6 = SWITCH, ORP PUMP
  - S7 = SWITCH, OZONE PUMP
  - S8 = SWITCH, AUTO-BACKWASH
  - S9 = SWITCH, CLARIFIER AUTO-DRAIN
  - L1 = LIGHT FOR S1
  - L2 = LIGHT FOR S2
  - L3 = LIGHT FOR S3
  - L4 = LIGHT FOR S4
  - L5 = LIGHT FOR S5
  - L6 = LIGHT FOR S6
  - L7 = LIGHT FOR S7
  - L8 = LIGHT FOR S8
  - L9 = LIGHT FOR S9
  - L10 = POWER ON
  - L11 = BACKWASH INDICATOR
  - PS1 = PRESSURE SWITCH, 30-50 PSI, TRANSFER PUMP
  - FS1 = FLOW SWITCH, PH/ORP PUMPS
  - F1 = FLOAT, N.O. BLUE, PIT, SUMP PUMP
  - F2 = FLOAT, N.O. BLUE, HOLDING TANK, FILTER PUMP
  - F3 = FLOAT, N.C. RED, PRODUCT TANK, FILTER PUMP
  - F4 = FLOAT, N.C. BLUE, PIT, FRESHWATER MAKE-UP
  - F5 = FLOAT, N.C. RED, PIT, FRESHWATER MAKE-UP
  - F6 = FLOAT, N.O./N.C. RED, PIT, RAINWATER OVERFLOW
  - F7 = FINGER FLOAT, N.C. HOLDING TANK, SUMP PUMP
  - SV1 = SOLENOID VALVE, FRESHWATER MAKE-UP
  - SV2 = SOLENOID VALVE, RAINWATER OVERFLOW
  - SV3 = SOLENOID VALVE, TIMER/RECIRCULATION
  - SV4 = SOLENOID VALVE, AB FLOW CONTROL
  - T1A = 24H TIMER, AUTO-BACKWASH, TIMED CLOSED
  - T1B = 24H TIMER, RECIRCULATION, TIMED CLOSED
  - PB1 = PUSH BUTTON SWITCH, INITIATE AUTO-BACKWASH
  - H = HOUR METER, SUMP PUMP

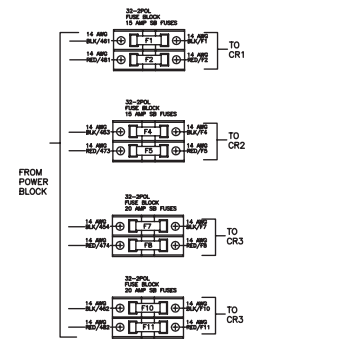


LADDER DIAGRAM-WCP-30AB-0M10-010510-PJH

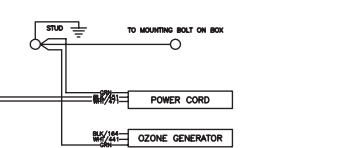
# WIRE DIAGRAM (SINGLE PHASE)



ALL WIRES ARE 16 AWG UNLESS OTHERWISE NOTED

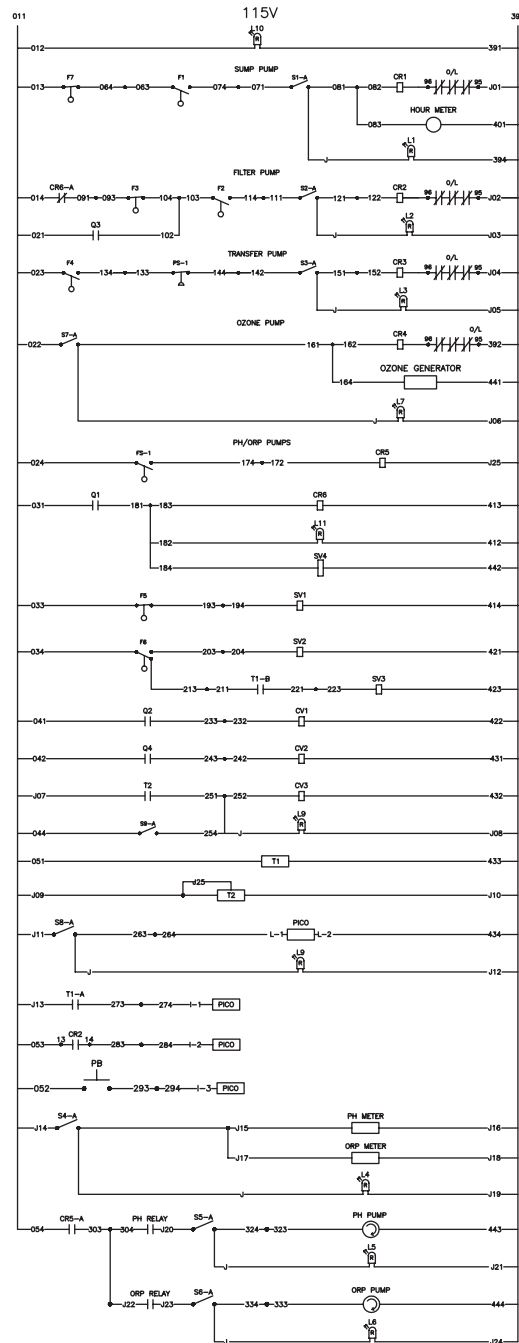


| FUSE CHART |          | OVERLOAD SETTING |       |
|------------|----------|------------------|-------|
| F1         | 15A KLR  | CR1              | 9.25A |
| F2         | 15A KLR  | CR2              | 9.0A  |
| F4         | 15A KLR  | CR3              | 11.7A |
| F5         | 15A KLR  | CR4              | 5.75A |
| F7         | 15A KLR  |                  |       |
| F8         | 15A KLR  |                  |       |
| F10        | 10A KLR  |                  |       |
| F14        | 1.0A KLR |                  |       |
| F15        | 1.0A KLR |                  |       |
| F16        | 2.0A TLA |                  |       |

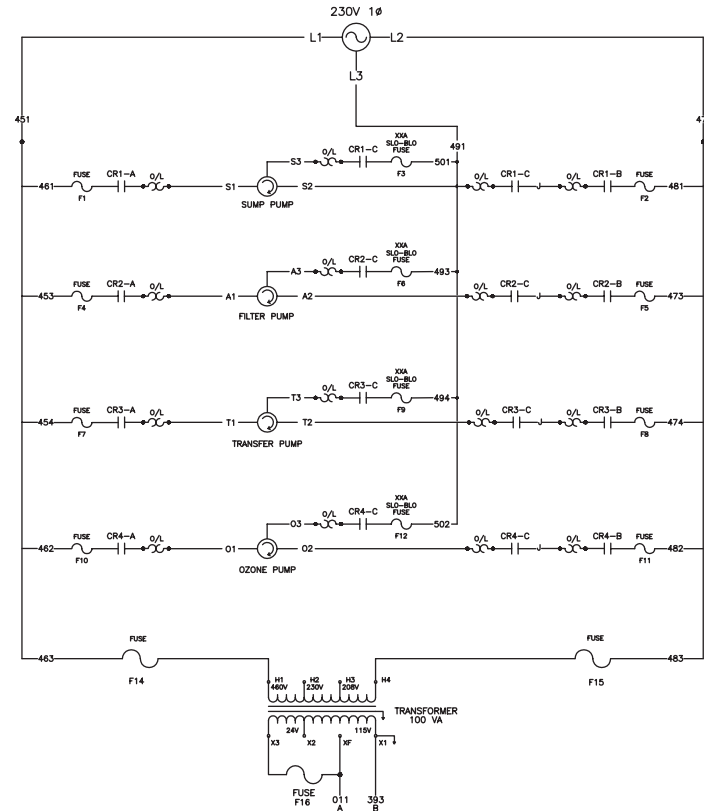


WIRE DIAGRAM-WCP-30AB-0M10-010510-PJH

# LADDER DIAGRAM (THREE PHASE)



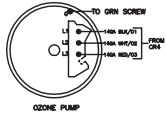
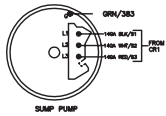
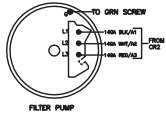
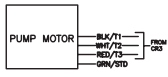
- LEGEND:
- CR1 = CONTROL RELAY, SUMP PUMP
  - CR2 = CONTROL RELAY, FILTER PUMP
  - CR3 = CONTROL RELAY, TRANSFER PUMP
  - CR5 = CONTROL RELAY, PH/ORP PUMPS
  - CR6 = CONTROL RELAY, TRANSFER PUMP CIRCUIT
  - CV1 = CONTROL VALVE, MULTI-MEDIA VALVE
  - CV2 = CONTROL VALVE, POLISHING VALVE
  - CV3 = CONTROL VALVE, DRAIN VALVE
  - S1 = SWITCH, SUMP PUMP
  - S2 = SWITCH, FILTER PUMP
  - S3 = SWITCH, TRANSFER PUMP
  - S4 = SWITCH, PH/ORP METERS
  - S5 = SWITCH, PH PUMP
  - S6 = SWITCH, ORP PUMP
  - S7 = SWITCH, OZONE PUMP
  - S8 = SWITCH, AUTO-BACKWASH
  - S9 = SWITCH, CLARIFIER AUTO-DRAIN
  - L1 = LIGHT FOR S1
  - L2 = LIGHT FOR S2
  - L3 = LIGHT FOR S3
  - L4 = LIGHT FOR S4
  - L5 = LIGHT FOR S5
  - L6 = LIGHT FOR S6
  - L7 = LIGHT FOR S7
  - L8 = LIGHT FOR S8
  - L9 = LIGHT FOR S9
  - L10 = POWER ON
  - L11 = BACKWASH INDICATOR
  - PS1 = PRESSURE SWITCH, 30-50 PSI, TRANSFER PUMP
  - FS1 = FLOW SWITCH, PH/ORP PUMPS
  - F1 = FLOAT, N.O. BLUE, PIT, SUMP PUMP
  - F2 = FLOAT, N.O. BLUE, HOLDING TANK, FILTER PUMP
  - F3 = FLOAT, N.C. RED, PRODUCT TANK, FILTER PUMP
  - F4 = FLOAT, N.O. BLUE, PRODUCT TANK, TRANSFER PUMP
  - F5 = FLOAT, N.C. RED, PIT, FRESHWATER MAKE-UP
  - F6 = FLOAT, N.O./N.C. RED, PIT, RAINWATER OVERFLOW
  - F7 = FINGER FLOAT, N.C. HOLDING TANK, SUMP PUMP
  - SV1 = SOLENOID VALVE, FRESHWATER MAKE-UP
  - SV2 = SOLENOID VALVE, RAINWATER OVERFLOW
  - SV3 = SOLENOID VALVE, TIMER/RECIRCULATION
  - SV4 = SOLENOID VALVE, AB FLOW CONTROL
  - T1A = 24H TIMER, AUTO-BACKWASH, TIMED CLOSED
  - T1B = 24H TIMER, RECIRCULATION, TIMED CLOSED
  - PB1 = PUSH BUTTON SWITCH, INITIATE AUTO-BACKWASH
  - H = HOUR METER, SUMP PUMP



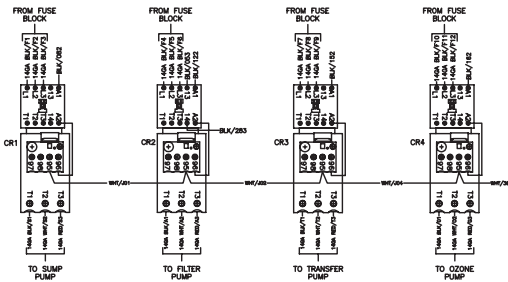
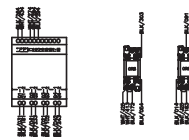
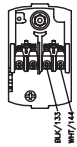
LADDER DIAGRAM-WCP-30AB THREE PHASE 010510-PUJH

# WIRE DIAGRAM (THREE PHASE)

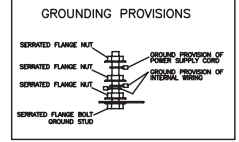
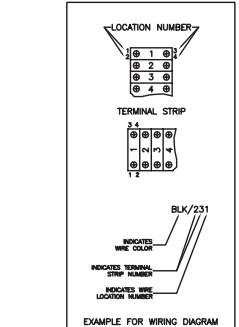
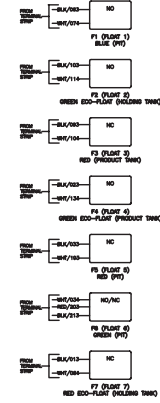
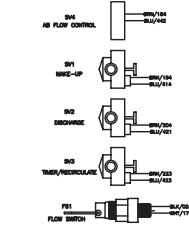
## TRANSFER PUMP



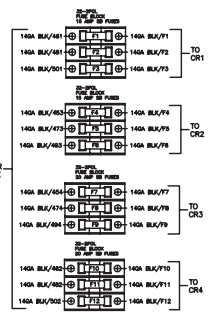
## PRESSURE SWITCH



|          |    |         |
|----------|----|---------|
| BLK/1401 | 1  | WH/1402 |
| BLK/1402 | 2  | WH/1403 |
| BLK/1403 | 3  | WH/1404 |
| BLK/1404 | 4  | WH/1405 |
| BLK/1405 | 5  | WH/1406 |
| BLK/1406 | 6  | WH/1407 |
| BLK/1407 | 7  | WH/1408 |
| BLK/1408 | 8  | WH/1409 |
| BLK/1409 | 9  | WH/1410 |
| BLK/1410 | 10 | WH/1411 |
| BLK/1411 | 11 | WH/1412 |
| BLK/1412 | 12 | WH/1413 |
| BLK/1413 | 13 | WH/1414 |
| BLK/1414 | 14 | WH/1415 |
| BLK/1415 | 15 | WH/1416 |
| BLK/1416 | 16 | WH/1417 |
| BLK/1417 | 17 | WH/1418 |
| BLK/1418 | 18 | WH/1419 |
| BLK/1419 | 19 | WH/1420 |
| BLK/1420 | 20 | WH/1421 |
| BLK/1421 | 21 | WH/1422 |
| BLK/1422 | 22 | WH/1423 |

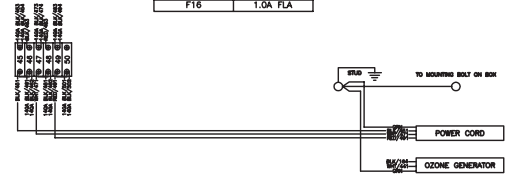


ALL WIRES ARE 16 AWG UNLESS OTHERWISE NOTED



| FUSE CHART |           |
|------------|-----------|
| F1         | 6A KCLR   |
| F2         | 6A KCLR   |
| F3         | 6A KCLR   |
| F4         | 10A KCLR  |
| F5         | 10A KCLR  |
| F6         | 10A KCLR  |
| F7         | 10A KCLR  |
| F8         | 10A KCLR  |
| F9         | 10A KCLR  |
| F10        | 3A KCLR   |
| F11        | 3A KCLR   |
| F12        | 3A KCLR   |
| F14        | 1.0A KCLR |
| F15        | 1.0A KCLR |
| F16        | 1.0A FLA  |

| OVERLOAD SETTING |      |
|------------------|------|
| CR1              | 5.5A |
| CR2              | 5.5A |
| CR3              | 5.5A |
| CR4              | 5.5A |



WIRE DIAGRAM-WCP-30AB THREE PHASE 010510-PJH

Manufactured by Mi-T-M  
50 MI-T-M Drive, Peosta IA 52068  
563-556-7484/ Fax 563-556-1235