



PARTS LIST FOR
WCL-10S-0M10
WATER TREATMENT SYSTEM

Congratulations on the purchase of your new Mi-T-M Water Treatment System! This parts listing has been compiled for your benefit. You can be assured your Mi-T-M Water Treatment System was constructed and designed with quality and performance in mind. Each component has been rigorously tested to insure the highest level of acceptance.

The contents of this parts listing are based on the latest product information available at the time of publication. Mi-T-M reserves the right to make changes in price, color, materials, equipment, specifications or models at any time without notice.

WARNING

THIS IS A PROFESSIONAL WATER TREATMENT SYSTEM. CAUTION SHOULD BE OBSERVED WHEN USING OR REPAIRING THIS UNIT! READ AND FOLLOW THE SAFETY WARNINGS LISTED BELOW BEFORE ATTEMPTING ANY REPAIRS ON THIS WATER TREATMENT SYSTEM!

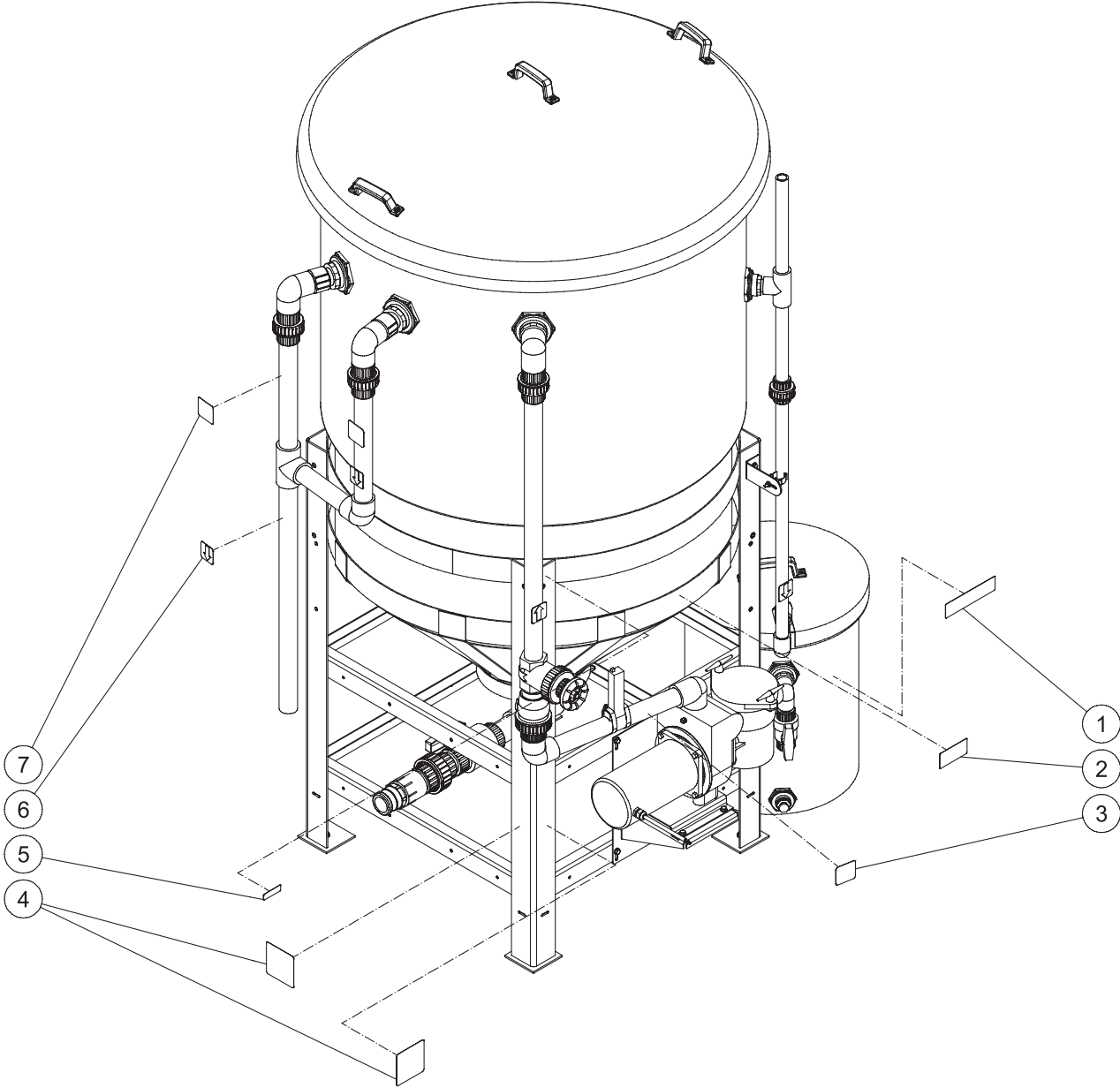
SAFETY WARNINGS

1. Serious injury or death could occur if the water treatment system is not properly grounded. Your water treatment system is powered by electricity and may cause electric shock or electrocution if not installed properly. Installation to this unit, including all electrical connections, must comply with all local, state and national codes. Any electrical wiring or repairs performed on this water treatment system should be done by Authorized Service Personnel in accordance with National and Local electrical codes.
2. NEVER alter or modify the equipment. Use only genuine Mi-T-M parts for repair of your water treatment system. Failure to do so can cause hazardous operating conditions and will VOID warranty.
3. Know how to stop and bleed pressures quickly. Be thoroughly familiar with controls. Do not operate without protective cover/guards. Follow the maintenance instructions specified in your operator's manual.
4. Before servicing, ALWAYS shut off the water and the unit. Allow the unit to cool down and drain the water. NEVER assume the water recycling treatment system is safe to work on just because it is not operating. It could restart at any time! ALWAYS disconnect from the power source. Service in a clean, dry, flat area.
5. Be especially careful to properly dispose of any flammable materials. Consult Materials Safety Data Sheets for safe handling of chemicals used with your system, especially oxidizers and acids.

Table of Contents

DECAL PLACEMENT	4
MAIN ASSEMBLY	6
CONE ASSEMBLY	8
LID ASSEMBLY	10
TANK ASSEMBLY	12
CLARIFIER OUTLET ASSEMBLY	14
OIL SKIMMER	16
INLET PLUMBING	18
OUTLET RING ASSEMBLY	20
DRAIN ASSEMBLY	22
FUNNEL PLUMBING	24
DECANTER TANK ASSEMBLY (855-0014)	26
SLUDGE BOX ASSEMBLY (855-0017)	28
PUMP (3-0328)	30
ACCESSORIES: PRODUCT TANK (80 GALLON) ASSEMBLY (855-0015)	32
ACCESSORIES: PRODUCT TANK (165 GALLON) ASSEMBLY (855-0016)	34

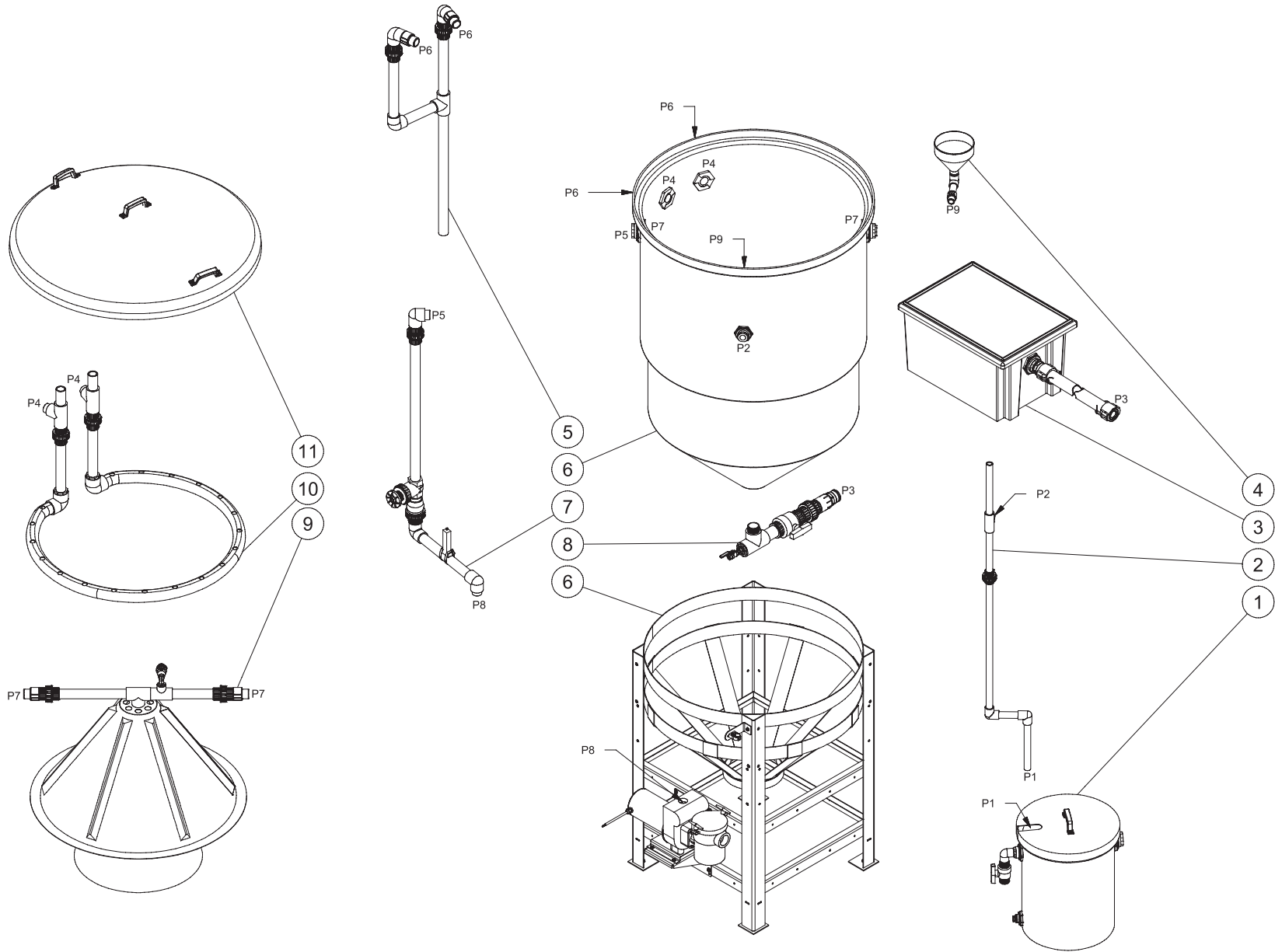
DECAL PLACEMENT



WCL-10S-0M10 DECAL PLACEMENT 011013

WCL-10S-0M10 DECAL PLACEMENT 011013 MLK			
DECAL PLACEMENT			
ITEM	DESCRIPTION	Mi-T-M #	QTY
1	DECAL - OIL DECANter	N/A	1
2	DECAL - MI-T-M SPEC'S	34-0885	1
3	DECAL - INLET	N/A	1
4	DECAL - CAUTION NONPOTABLE WATER	N/A	3
5	DECAL - SERIAL NUMBER	34-0893	1
6	DECAL - ARROW	N/A	4
7	DECAL - OUTLET	N/A	2
-	DECAL SET - WCL	71-0105	1

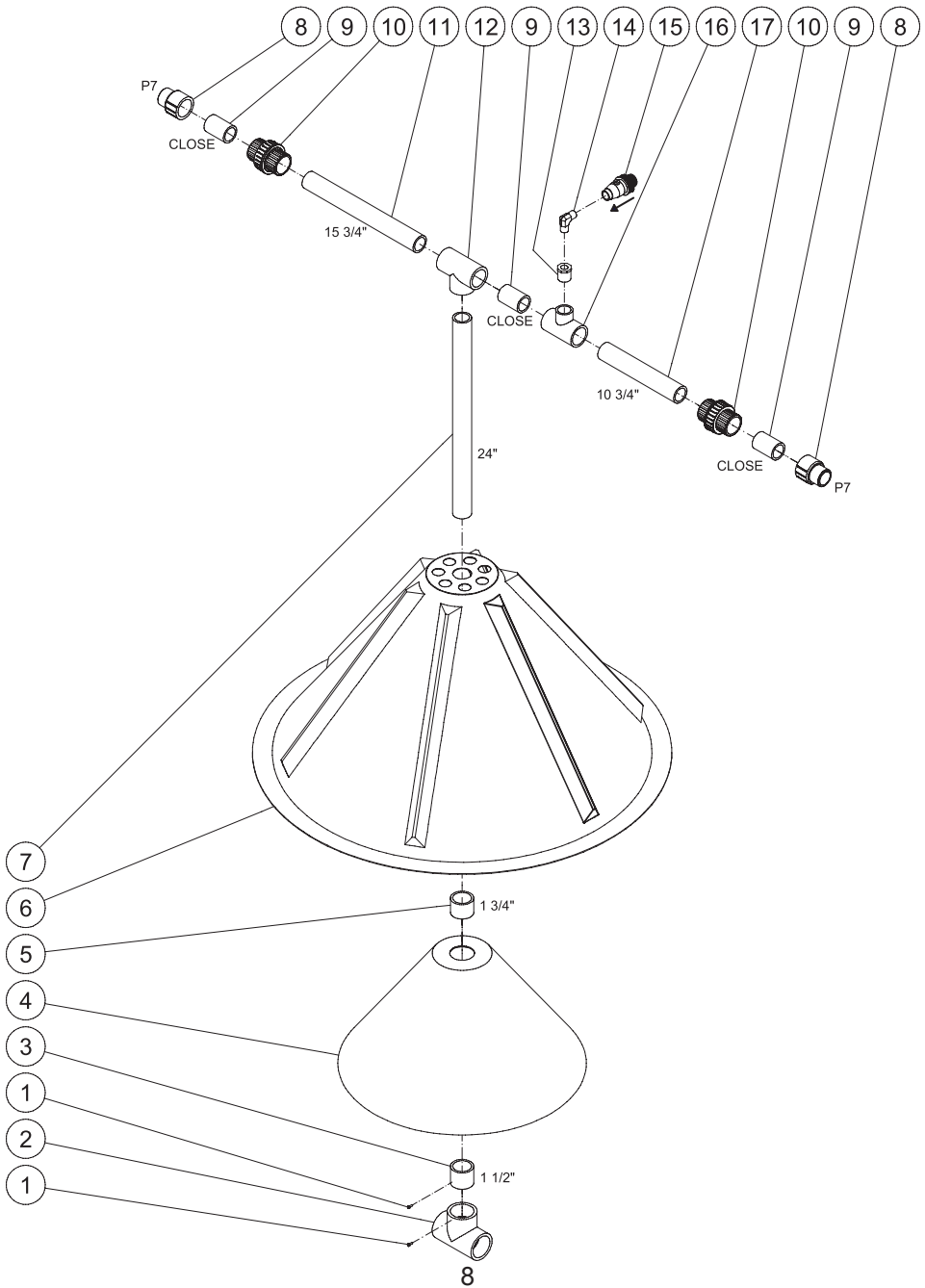
MAIN ASSEMBLY



WCL-10S-0M10-011013-MLK

WCL-10S-0M10 MAIN ASSEMBLY 011013 MLK			
MAIN ASSEMBLY			
ITEM	DESCRIPTION	Mi-T-M #	QTY
1	DECANTER TANK ASSEMBLY	855-0014	1
2	OIL SKIMMER PLBG	N/A SEP.	1
3	SLUDGE BOX ASSY	855-0017	1
4	FUNNEL PLUMBING	N/A SEP.	1
5	CLARIFIER OUTLET ASSY	N/A SEP.	1
6	TANK ASSEMBLY	N/A SEP.	1
7	INLET PLUMBING	N/A SEP.	1
8	DRAIN ASSEMBLY	N/A SEP.	1
9	CONE ASSEMBLY	N/A SEP.	1
10	OUTLET RING ASSEMBLY	N/A SEP.	1
11	LID ASSEMBLY	N/A SEP.	1

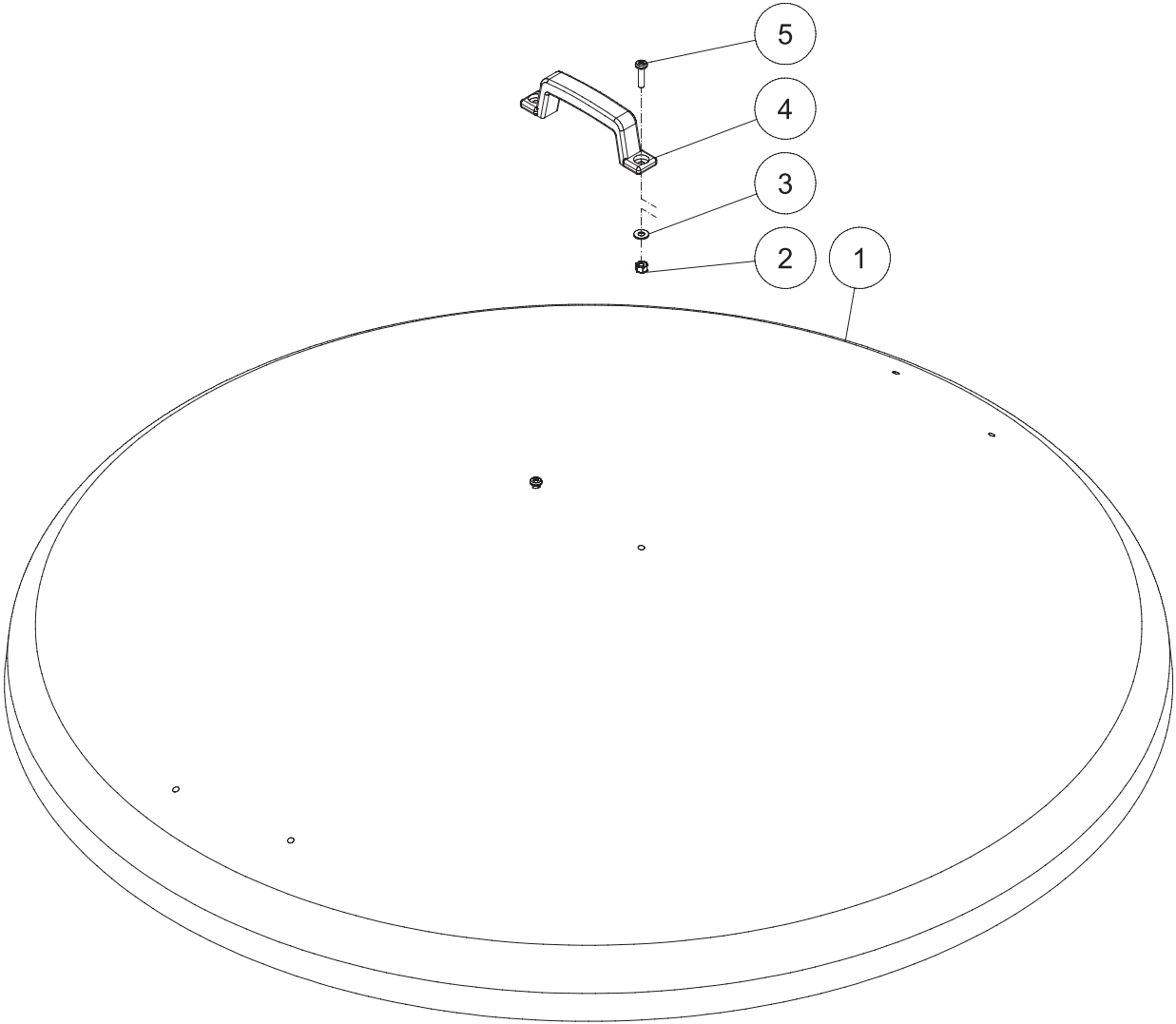
CONE ASSEMBLY



CONE ASSEMBLY WCL-10S-0M10 010713 MLK

CONE ASSEMBLY-WCL-10S-0M10 010713 MLK			
CONE ASSEMBLY			
ITEM	DESCRIPTION	Mi-T-M #	QTY
1	SCREW	27-3048	2
2	TEE	55-1801	1
3	PIPE *(2" x 1 3/4")	55-1800	1
4	CONE	33-0334	1
5	PIPE *(2" x 1 3/4")	55-1800	1
6	COALESCING CONE - UPPER	33-0332	1
7	PIPE *(1 1/2" X 24")	55-1600	1
8	ADAPTER	55-1622	2
9	PIPE *(1 1/2" X 2 3/4")	55-1600	3
10	UNION	55-1645	2
11	PIPE *(1 1/2" X 15 3/4")	55-1600	1
12	TEE	55-1601	1
13	REDUCER	55-1229	1
14	ELBOW	23-0386	1
15	CHECK VALVE	55-0853	1
16	TEE	55-1603	1
17	PIPE *(1 1/2" X 10 3/4")	55-1600	1
*MUST ORDER IN ONE FOOT LENGTHS			

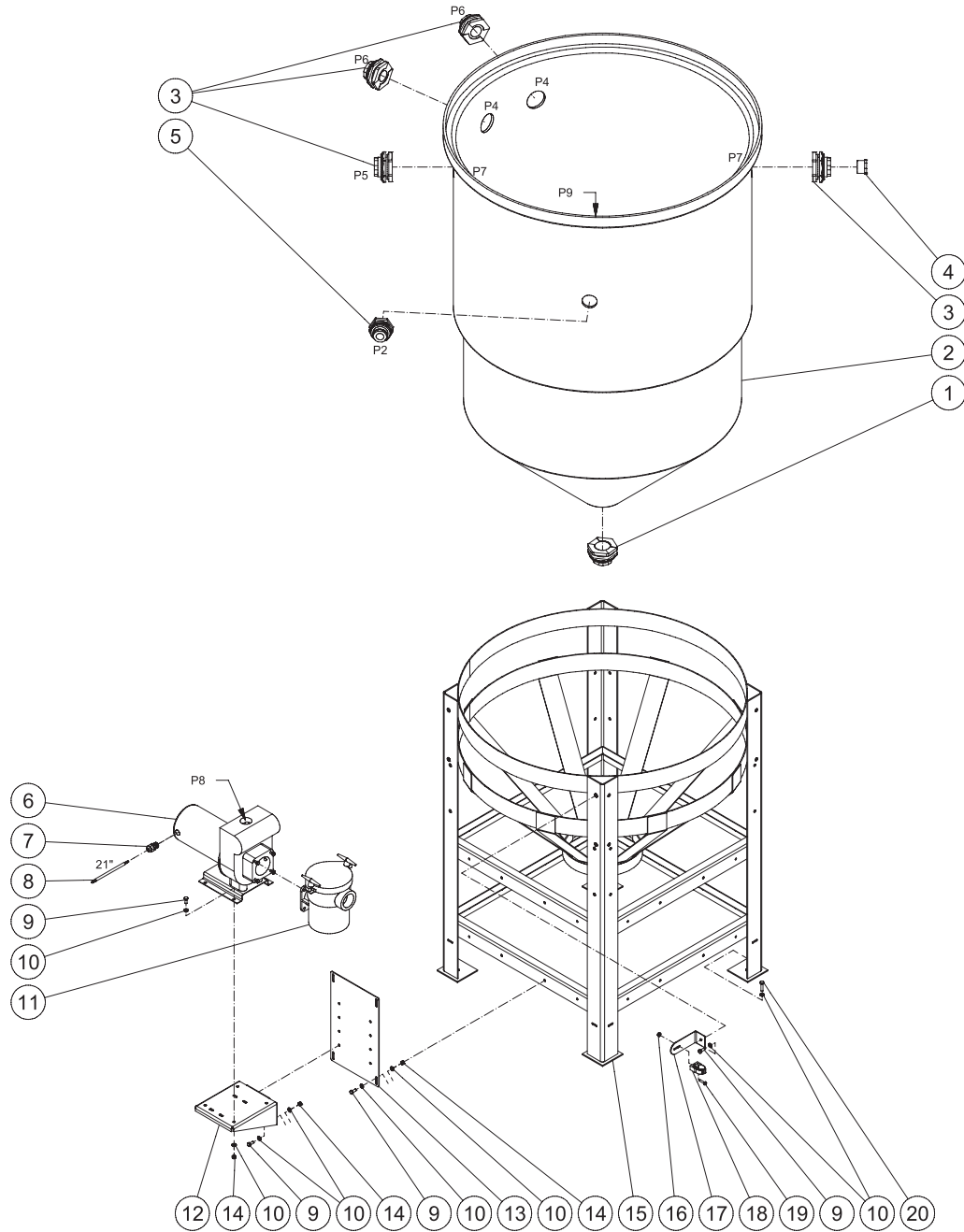
LID ASSEMBLY



LID ASSEMBLY WCP-10-0M10 010807 PJH

LID ASSEMBLY WCP-10-0M10 PJH			
LID ASSEMBLY			
ITEM	DESCRIPTION	PART #	QTY
1	LID FOR 12-0072	N/A SEP	1
2	LOCKNUT	30-5155	6
3	WASHER	28-0121	6
4	HANDLE	7-0164	3
5	BOLT	27-5018	6

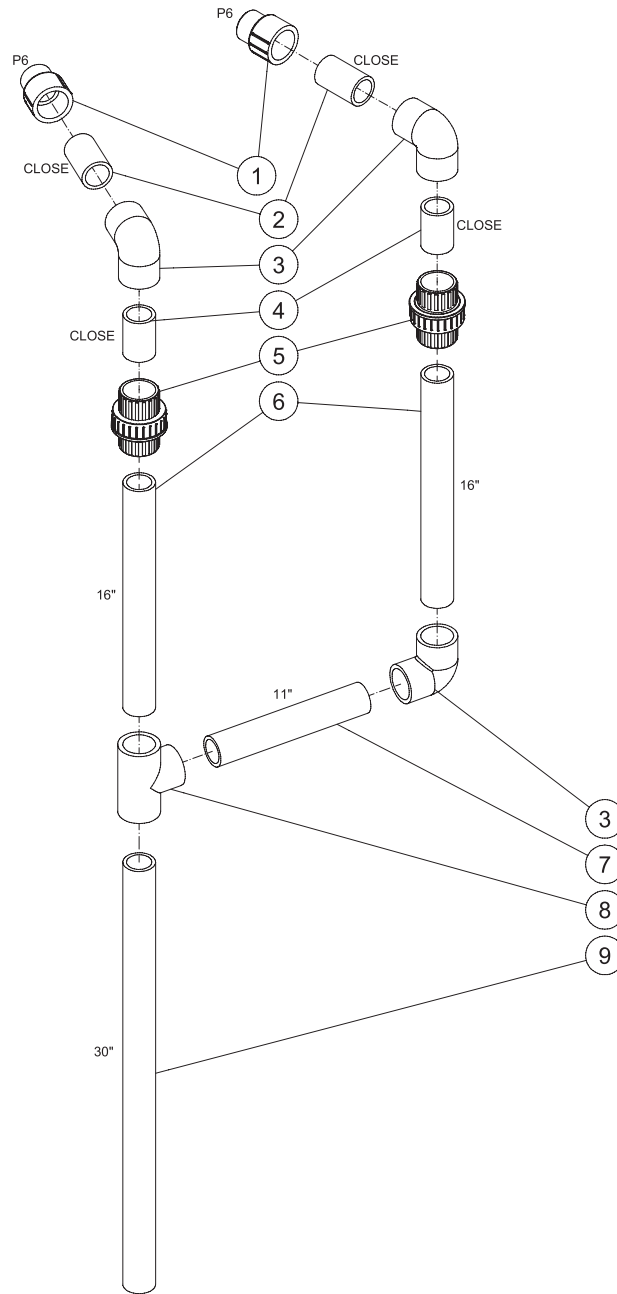
TANK ASSEMBLY



TANK ASSEMBLY - WCL-10S-0M10 010713 MLK

TANK ASSEMBLY - WCL-10S-0M10 010713 MLK			
TANK ASSEMBLY			
ITEM	DESCRIPTION	Mi-T-M #	QTY
1	BULKHEAD (INC. 25-0481 GASKET)	55-1886	1
2	CLARIFIER TANK - 300 GALLON	12-0072	1
3	BULKHEAD (INC. 25-0481 GASKET)	55-1686	4
4	PLUG	55-1640	1
5	BULKHEAD (INC. 25-042 GASKET)	55-1286	1
6	PUMP	3-0328	1
7	STRAIN RELIEF	32-0437	1
8	CORD *(TWO FEET REQUIRED)	32-0445	1
9	BOLT	27-5066	13
10	WASHER	28-0122	29
11	TRAP & BASKET	33-0491	1
12	PUMP BRACKET	20-0554A01	1
13	PUMP PLATE	20-1284A01	1
14	LOCKNUT	30-5158	12
15	TANK STAND	20-1282A01	1
16	NUT	30-5202	1
17	WCL CLAMP BRACKET	20-0555A01	1
18	CLAMP	42-0038	1
19	BOLT	27-5018	1
20	BOLT	27-5276	4
*MUST ORDER IN ONE FOOT LENGTHS			

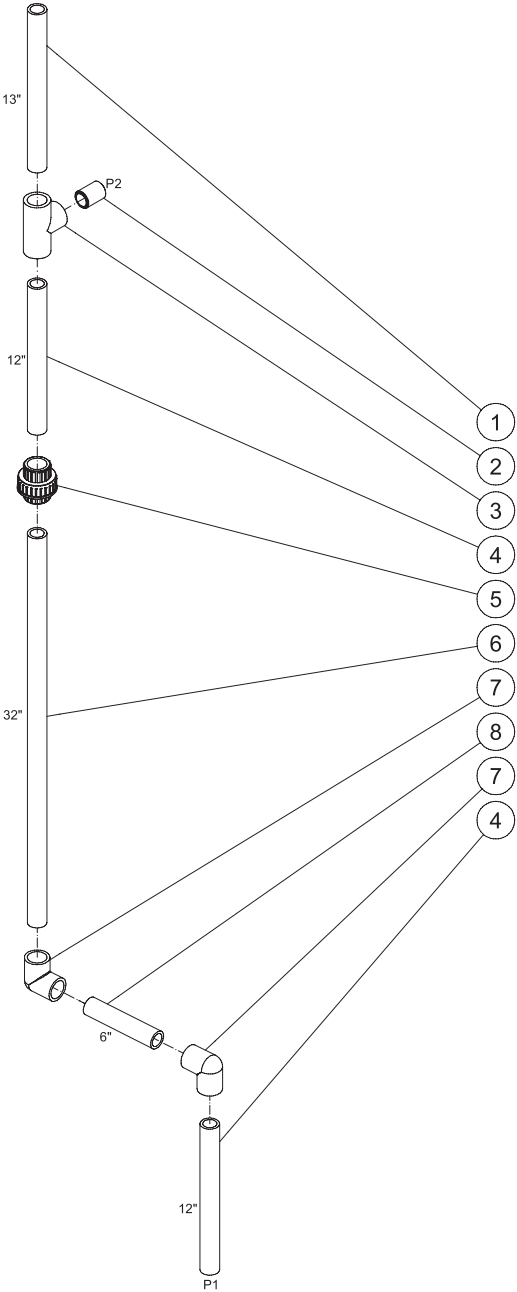
CLARIFIER OUTLET ASSEMBLY



CLARIFIER OUTLET ASSY - WCL-10-0M10 010713 MLK

CLARIFIER OUTLET ASSY WCL-10S-0M10 010713 MLK			
CLARIFIER OUTLET			
ITEM	DESCRIPTION	Mi-T-M #	QTY
1	ADAPTER	55-1622	2
2	PIPE *(1-1/2" x 3")	55-1600	8
3	ELBOW	55-1609	3
4	PIPE *(1-1/2" x 2 3/4")	55-1600	1
5	UNION	55-1645	2
6	PIPE *(1-1/2" x 16")	55-1600	1
7	PIPE *(1-1/2" x 11")	55-1600	1
8	TEE	55-1601	1
9	PIPE *(1-1/2" x 30")	55-1600	1
*MUST ORDER IN ONE FOOT LENGTHS			

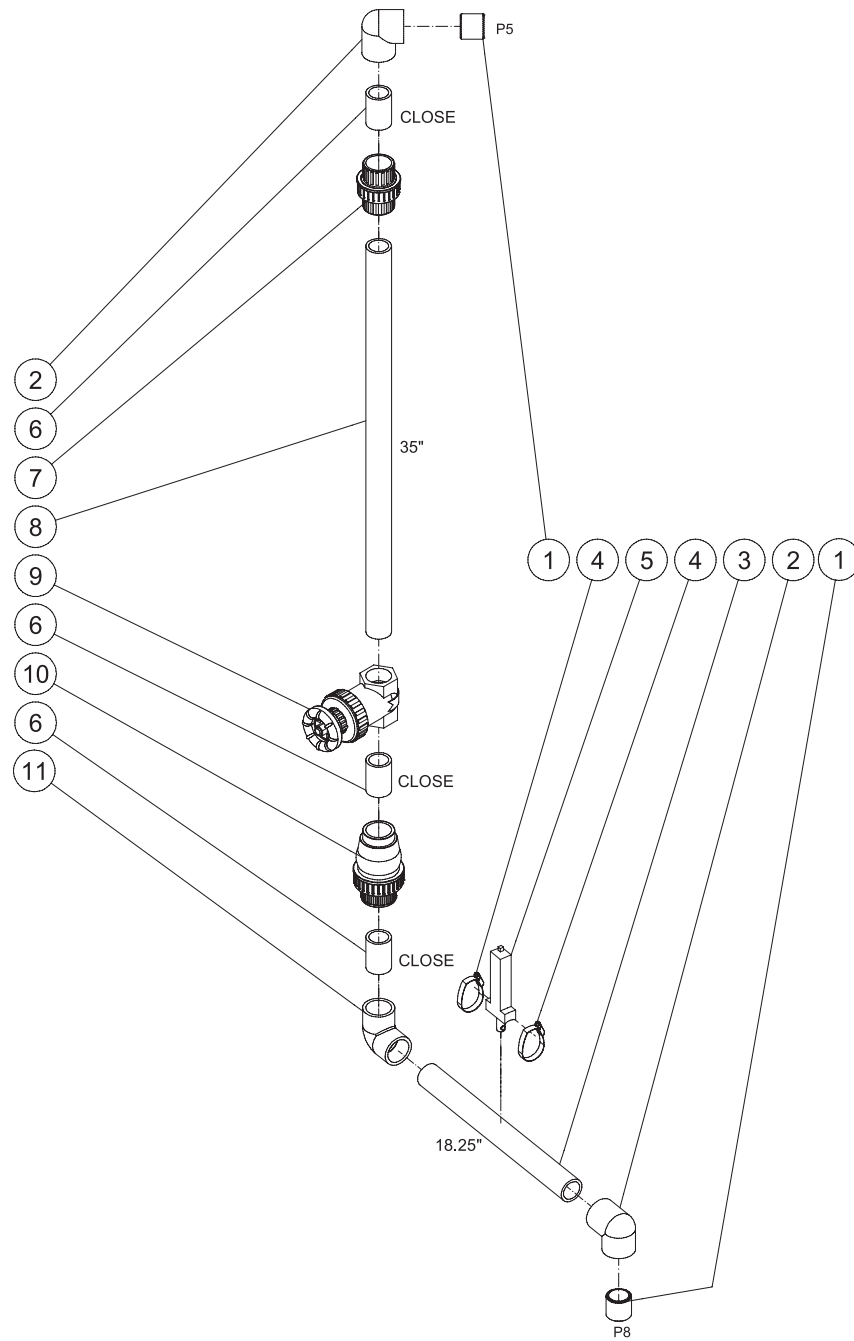
OIL SKIMMER



OIL SKIMMER PLBG - WCL-10S-0M10 010713 MLK

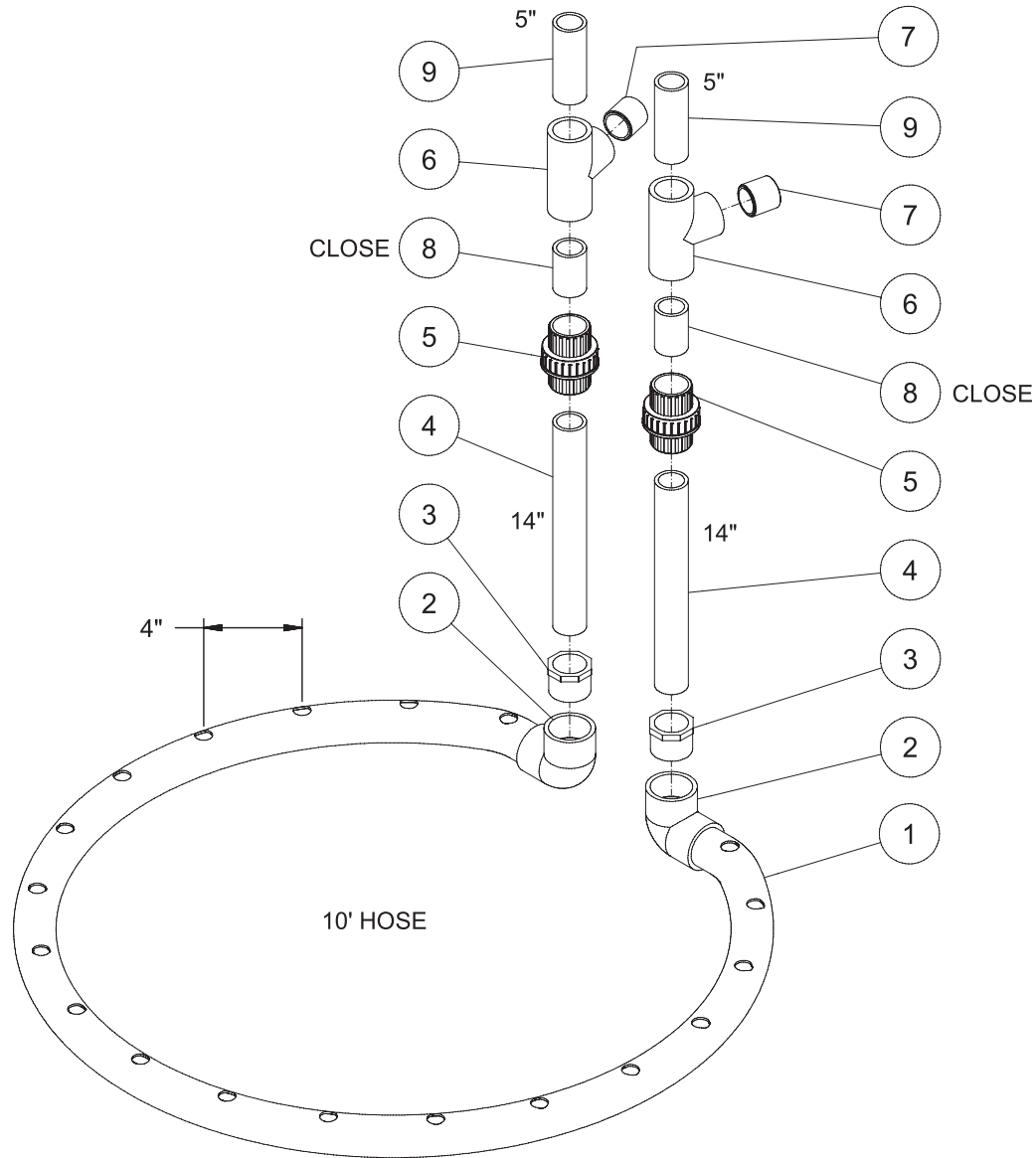
OIL SKIMMER			
ITEM	DESCRIPTION	Mi-T-M #	QTY
1	PIPE - 1" X 1.08'	55-1200	1
2	NIPPLE	55-1274	1
3	TEE 1" SOC X SOC X FPT	55-1207	1
4	PIPE - 1" X 1'	55-1200	2
5	UNION	55-1245	1
6	PIPE *(THREE FEET REQUIRED)	55-1200	1
7	ELBOW	55-1209	2
8	PIPE *(1" X 6")	55-1200	1
*MUST ORDER IN ONE FOOT LENGTHS			

INLET PLUMBING



INLET PLUMBING WCL-10S-0M10 010913 MLK			
INLET PLUMBING			
ITEM	DESCRIPTION	Mi-T-M #	QTY
1	NIPPLE	55-1674	2
2	ELBOW	55-1610	2
3	PIPE *(1-1/2" X 19")	55-1685	1
4	HOSE CLAMP	42-0027	2
5	FLOW METER	55-0016	1
6	PIPE *(1 1/2" X 2 3/4")	55-1600	3
7	UNION	55-1645	1
8	PIPE *(1-1/2" X 35")	55-1600	1
9	GATE VALVE	55-1671	1
10	CHECK VALVE	55-1652	1
11	ELBOW	55-1609	1
*MUST ORDER IN ONE FOOT LENGTHS			

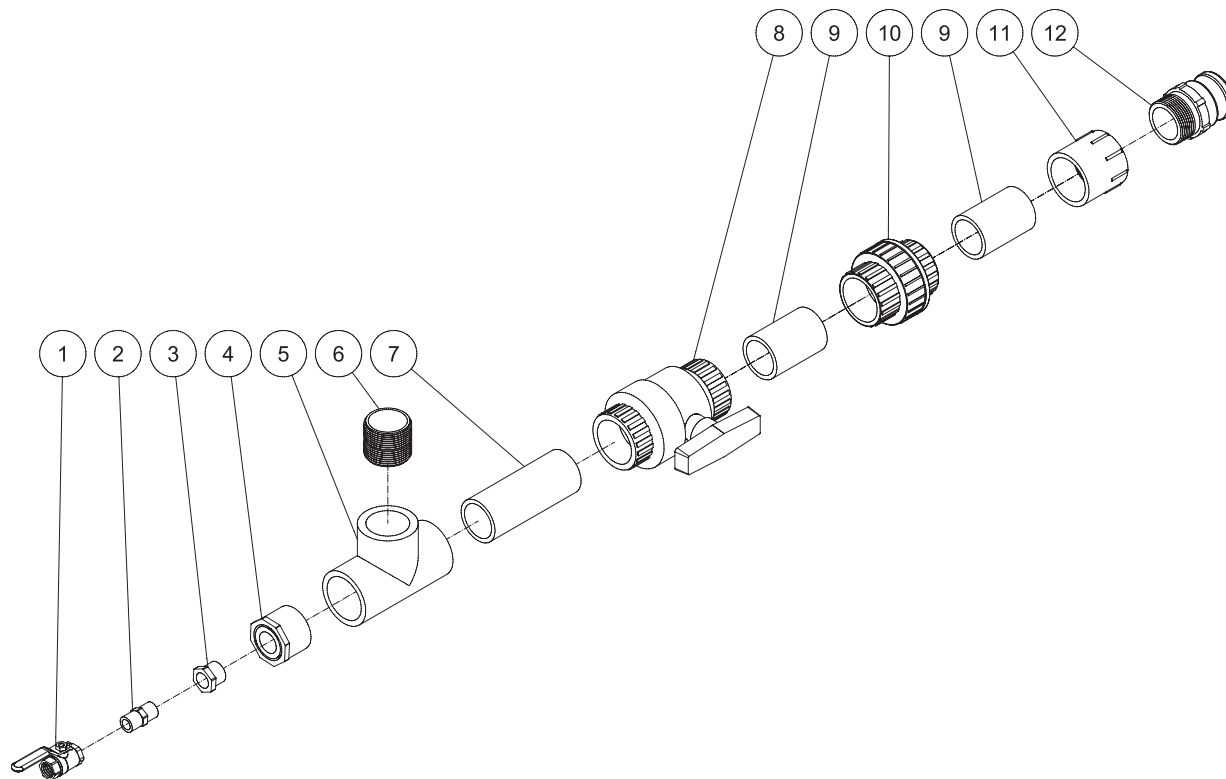
OUTLET RING ASSEMBLY



OUTLET RING ASSEMBLY - WCP-10-0M10 011513 MLK

OUTLET RING ASSEMBLY - WCP-10-0M10 011513 MLK			
OUTLET RING ASSEMBLY			
ITEM	DESCRIPTION	PART #	QTY
1	FLEX PIPE *(TEN FEET REQUIRED)	55-1888	1
2	ELBOW	55-1809	2
3	REDUCER BUSHING	55-1823	2
4	PIPE *(1 1/2" X 14")	55-1600	2
5	UNION	55-1645	2
6	TEE	55-1607	2
7	NIPPLE	55-1674	2
8	PIPE *(1 1/2" X 2 3/4")	55-1600	2
9	PIPE *(1 1/2" X 5")	55-1600	2
*MUST ORDER IN ONE FOOT LENGTHS			

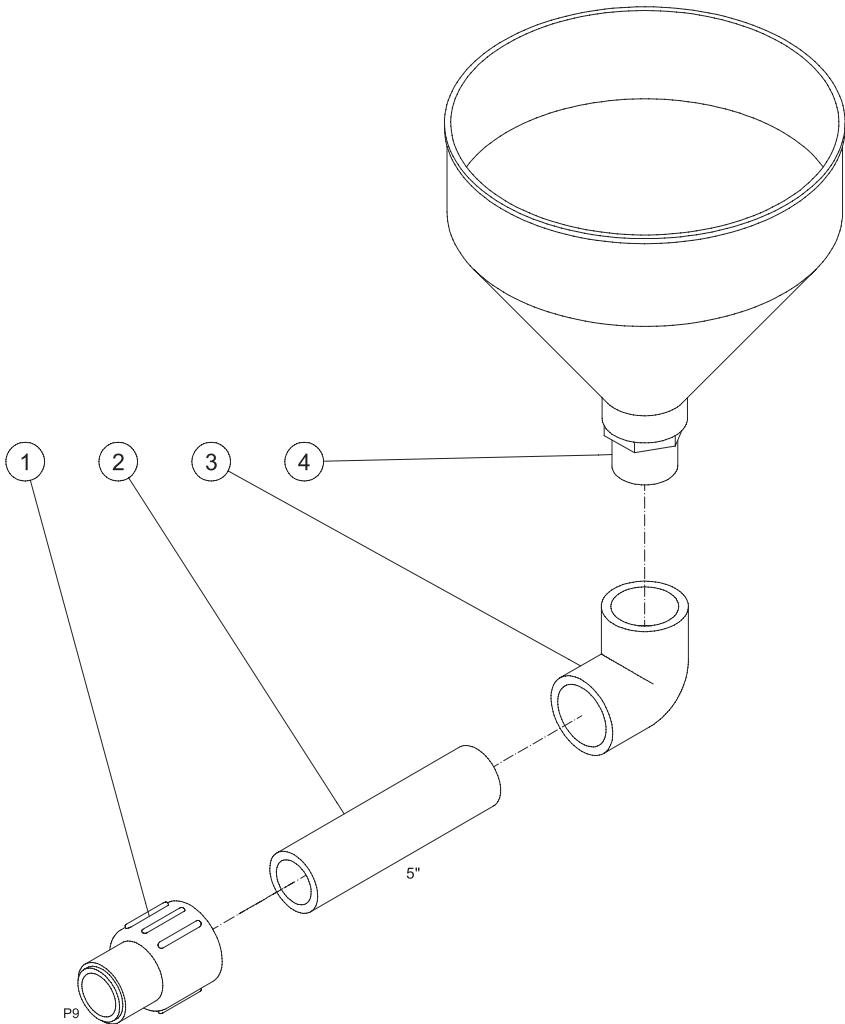
DRAIN ASSEMBLY



DRAIN ASSEMBLY BIO-15-0M10 100909

DRAIN ASSEMBLY BIO-15-0M10 100909 PJH			
DRAIN ASSEMBLY			
ITEM	DESCRIPTION	PART #	QTY
1	BALL VALVE	22-0278	1
2	NIPPLE	23-0012	1
3	REDUCER	55-1234	1
4	REDUCER	55-1830	1
5	TEE	55-1807	1
6	NIPPLE	55-1874	1
7	PIPE *(2" X 6")	55-1800	1
8	BALL VALVE	55-1855	1
9	PIPE *(ONE FOOT REQUIRED)	55-1800	2
10	UNION	55-1845	1
11	ADAPTER	55-1821	1
12	ADAPTER	55-0054	1
*MUST ORDER IN ONE FOOT LENGTHS			

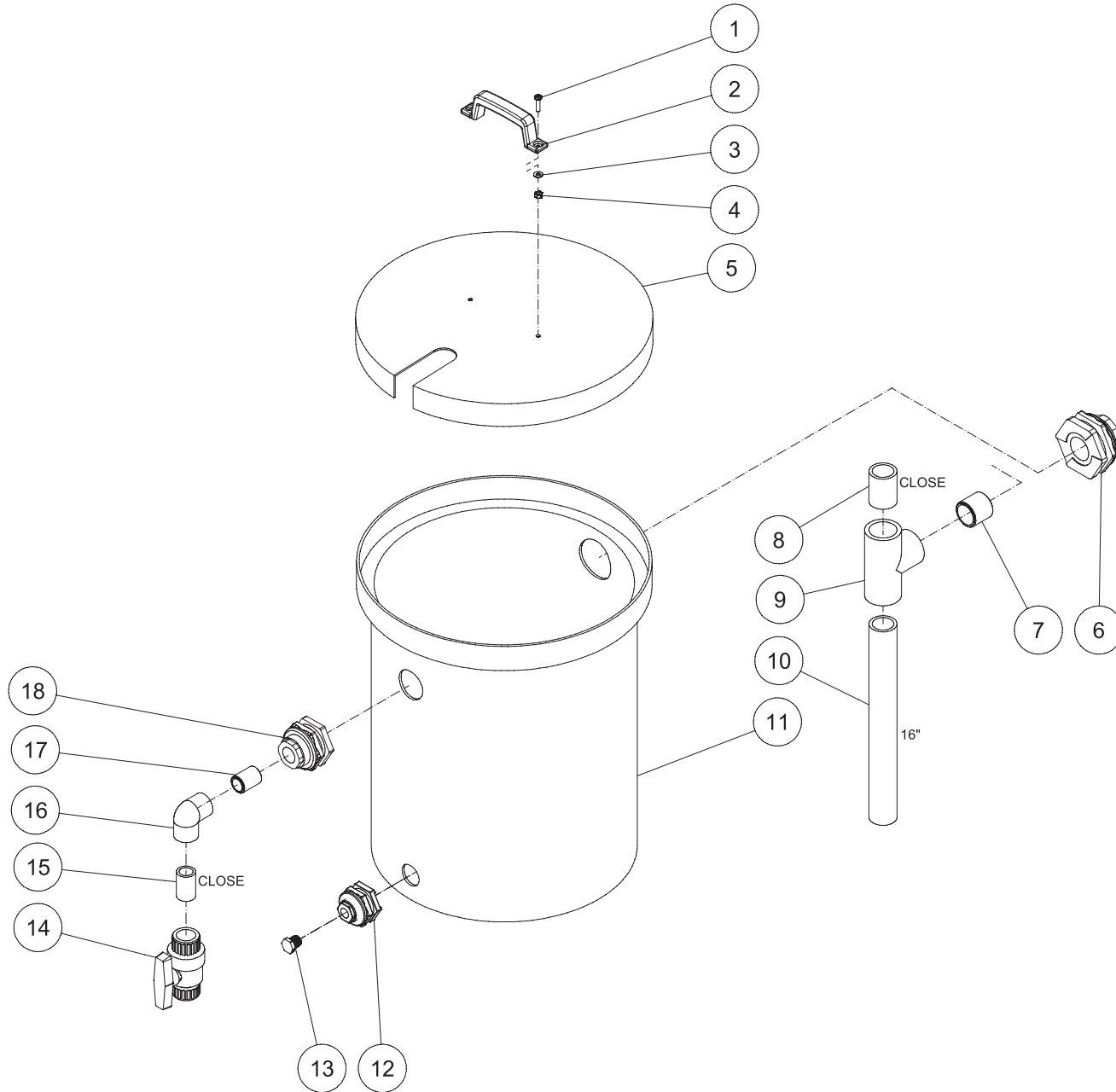
FUNNEL PLUMBING



FUNNEL PLUMBING WCL-10S-0M10 010813 MLK

FUNNEL PLUMBING WCL-10S-0M10			
FUNNEL PLUMBING			
ITEM	DESCRIPTION	Mi-T-M #	QTY
1	MALE ADAPTER 1"	55-1222	1
2	PIPE - 1" X 1'	55-1200	1
3	90 ELBOW 1"	55-1210	1
4	FUNNEL - 1"	33-0338	1

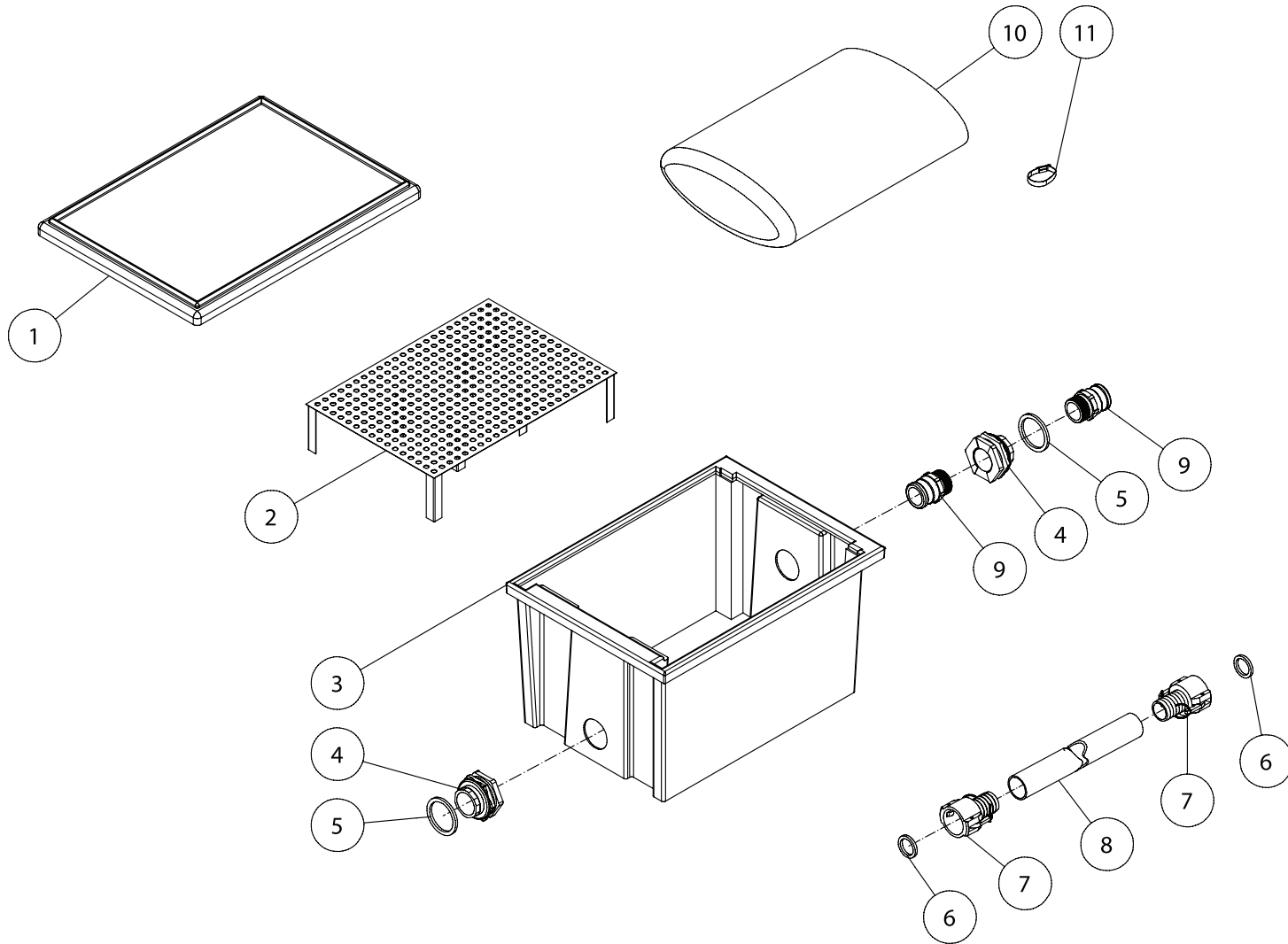
DECANTER TANK ASSEMBLY (855-0014)



855-0014-010913-MLK

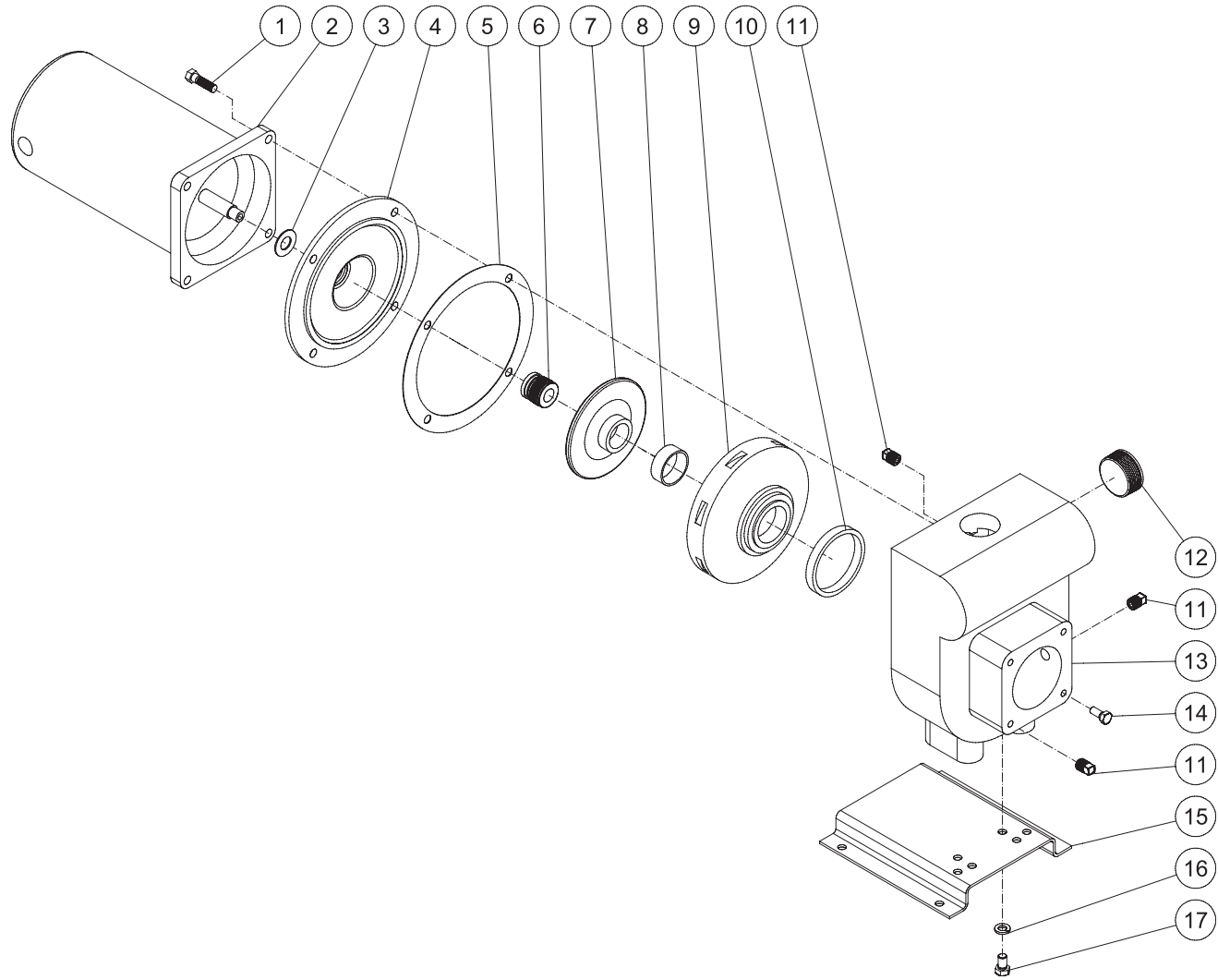
855-0014 MLK			
DECANTER TANK ASSEMBLY			
ITEM	DESCRIPTION	PART #	QTY
1	BOLT	27-5018	2
2	HANDLE	7-0164	1
3	WASHER	28-0121	2
4	LOCKNUT	30-5155	2
5	DECANTER LID HOLE LOCATIONS	12-0096	1
6	BULKHEAD (INC. 25-0481 GASKET)	55-1686	1
7	NIPPLE	55-1674	1
8	PIPE *(1-1/2" X 2 3/4")	55-1600	2
9	TEE	55-1607	1
10	PIPE *(1-1/2" X 16")	55-1600	1
11	DECANTER TANK HOLE LOCATIONS	12-0093	1
12	BULKHEAD	55-0886	1
13	PLUG	55-0840	1
14	BALL VALVE	55-1255	1
15	PIPE *(1" X 2")	55-1200	1
16	ELBOW	55-1210	1
17	NIPPLE	55-1274	1
18	BULKHEAD (INC. 25-042 GASKET)	55-1286	1
*MUST ORDER IN ONE FOOT LENGTHS			

SLUDGE BOX ASSEMBLY (855-0017)



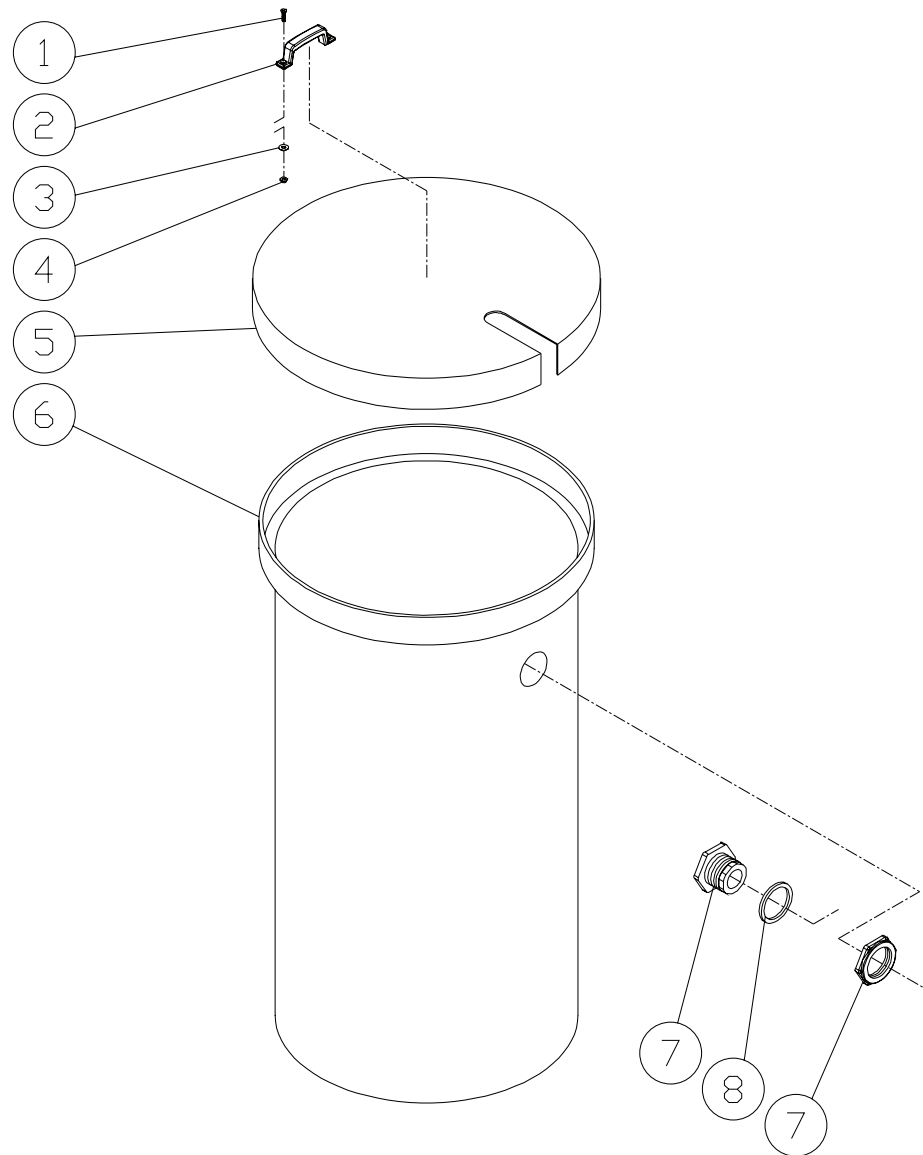
855-0017 071606_T CAW			
SLUDGE BOX ASSEMBLY			
ITEM	DESCRIPTION	PART #	QTY
1	LID	33-0341	1
2	RISER	21-0126	1
3	BOX	33-0344	1
4	BULKHEAD (INC. 25-0481 GASKET)	55-1886	2
5	GASKET	25-0481	2
6	O-RING	25-0476	2
7	COUPLER	55-0055	2
8	HOSE *(TEN FEET REQUIRED)	15-0213	1
9	ADAPTER	55-0054	2
10	BAG	41-0190	1
11	HOSE CLAMP	42-0027	1

PUMP (3-0328)



3-0328 081109-PJH			
STRAINER BASKET PUMP			
ITEM	DESCRIPTION	Mi-T-M #	QTY
1	BOLT	27-0118	4
2	PUMP/FILTER	N/A	1
3	WATER SLINGER	46-1386	1
4	SEAL PLATE	N/A	1
5	GASKET	26-0353	1
6	SHAFT SEAL	26-0354	1
7	IMPELLER	46-1523	1
8	WEAR RING	46-1387	1
9	DIFFUSER	N/A	1
10	DIFFUSER RING	46-1388	1
11	PLUG	24-0009	3
12	PLUG	24-0309	1
13	PUMP BODY	N/A	1
14	BOLT	27-0066	4
15	BASE	N/A	1
16	LOCKWASHER	29-0008	2
17	BOLT	N/A	2

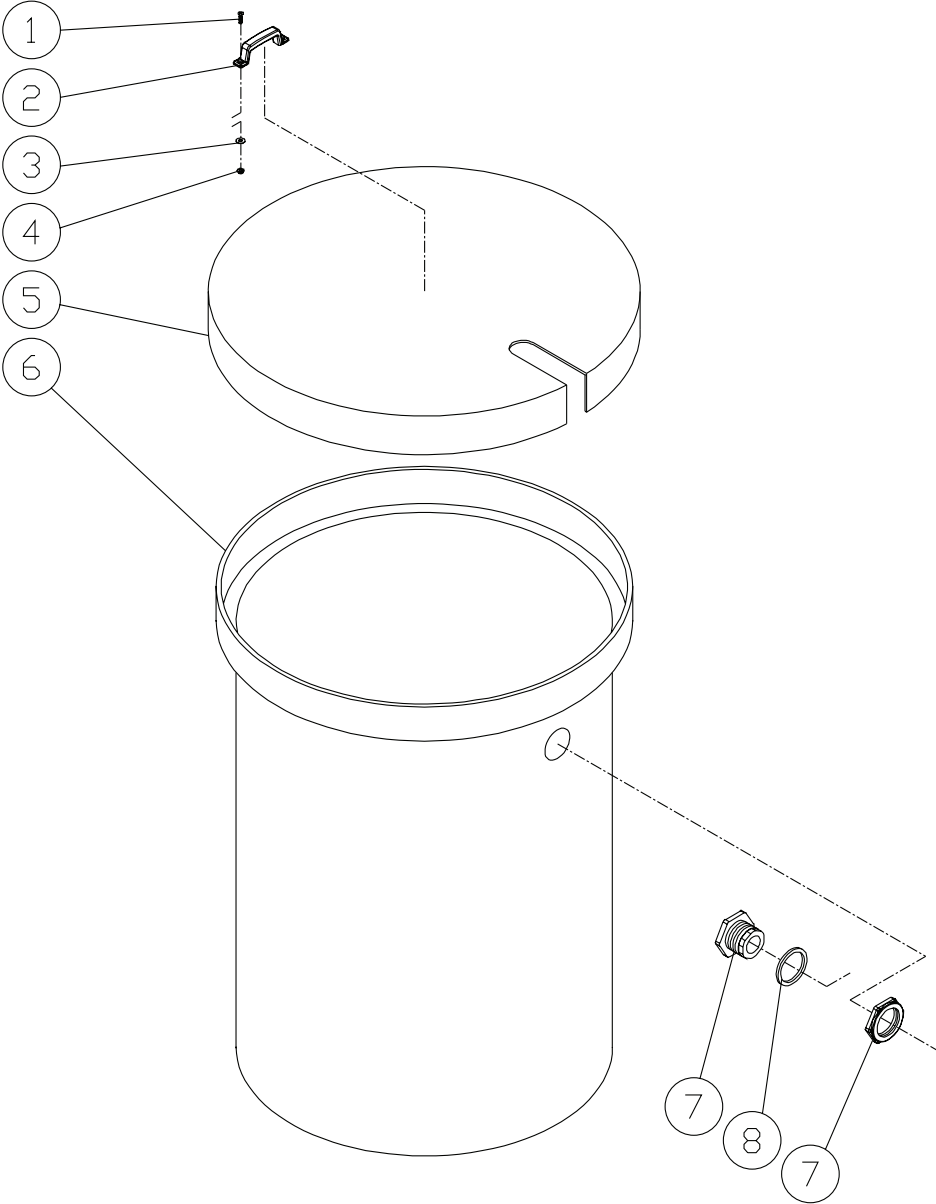
ACCESSORIES: PRODUCT TANK (80 GALLON) ASSEMBLY (855-0015)



855-0015-030700-WKB

855-0015-030700-WKB			
ACCESSORIES: PRODUCT TANK (80 GALLON) ASSEMBLY (855-0015)			
REF. #	DESCRIPTION	PART #	QTY.
1	Bolt	27-8932	2
2	Handle	7-0164	1
3	Washer	28-0121	2
4	Locknut	30-5155	2
5	Lid	12-0113	1
6	Tank (80 Gallons)	12-0109	1
7	Bulkhead (Includes Gasket 25-0481)	55-1686	1
8	Gasket	25-0481	1

ACCESSORIES: PRODUCT TANK (165 GALLON) ASSEMBLY (855-0016)



855-0015-030700-WKB

855-0016-030700-WKB

ACCESSORIES: PRODUCT TANK (165 GALLON) ASSEMBLY (855-0016)			
REF. #	DESCRIPTION	PART #	QTY.
1	Bolt	27-8932	2
2	Handle	7-0164	1
3	Washer	28-0121	2
4	Locknut	30-5155	2
5	Lid	12-0114	1
6	Tank (165 Gallons)	12-0111	1
7	Bulkhead (Includes Gasket 25-0481)	55-1686	1
8	Gasket	25-0481	1

