



***PORTABLE ELECTRIC
AIR COMPRESSOR***
OPERATOR'S MANUAL



CAUTION

**RISK OF INJURY! READ ENTIRE MANUAL BEFORE OPERATING!
THIS MANUAL IS AN IMPORTANT PART OF THE AIR COMPRESSOR
AND MUST REMAIN WITH THIS UNIT!**

TABLE OF CONTENTS

INTRODUCTION	3
IMPORTANT	3
INSPECTION.....	3
IMPORTANT SAFETY INSTRUCTIONS.....	4-7
RISK OF ELECTRIC SHOCK OR ELECTROCUTION	4
RISK OF EXPLOSION OR FIRE	5
RISK OF BURSTING	5
RISK TO BREATHING	6
RISK OF BURNS	6
RISK OF FLYING OBJECTS	6
RISK FROM MOVING PARTS.....	7
RISK FROM NEGLIGENCE.....	7
RISK OF AIR COMPRESSOR DAMAGE	7
FEATURES DRAWINGS.....	8 & 10
FEATURES REVIEW	9 & 11
PREPARATION INSTRUCTIONS.....	13
INITIAL SET-UP	13
LOCATION	13
ELECTRICAL.....	13
PRE-START CHECKLIST	13
OPERATING INSTRUCTIONS	14
START-UP.....	14
SHUTDOWN.....	14
MAINTENANCE INSTRUCTIONS	15
TROUBLESHOOTING	16-18
WARRANTY.....	19
NOTES.....	20-21



1.5 HP models

⚠ WARNING

Warning: This product contains lead, a chemical known to the State of California to cause birth defects or other reproductive harm.

Wash your hands after handling this product.



2.0 HP models

⚠ WARNING

This product contains one or more chemicals known to the State of California to cause cancer and birth defects or other reproductive harm.

INTRODUCTION

Congratulations on the purchase of your new Mi-T-M® Air Compressor! You can be assured your Mi-T-M® Air Compressor was constructed with the highest level of precision and accuracy. Each component has been rigorously tested by technicians to ensure the quality, endurance and performance of this air compressor.

This operator's manual was compiled for your benefit. By reading and following the simple safety, installation and operation, maintenance and troubleshooting steps described in this manual, you will receive years of trouble free operation from your new Mi-T-M® Air Compressor. The contents of this manual are based on the latest product information available at the time of publication. Mi-T-M® reserves the right to make changes in price, color, materials equipment, specifications or models at any time without notice.



IMPORTANT!

A "**DANGER, WARNING or CAUTION**" safety warning will be surrounded by a "**SAFETY ALERT BOX**". This box is used to designate and emphasize Safety Warnings that must be followed when operating this air compressor. Accompanying the safety warnings are "**Signal Words**" which designate the degree or level of hazard seriousness. The "**Signal Words**" used in this manual are as follows:

DANGER: Indicates an imminently hazardous situation which, if not avoided, **WILL** result in death or serious injury.

WARNING: Indicates a potentially hazardous situation which, if not avoided, **COULD** result in death or serious injury.



CAUTION: Indicates a potentially hazardous situation which, if not avoided **MAY** result in minor or moderate injury or damage to the air compressor.



The symbols set to the left of this paragraph are "**Safety Alert Symbols**". These symbols are used to call attention to items or procedures that could be dangerous to you or other persons using this equipment.

ALWAYS PROVIDE A COPY OF THIS MANUAL TO ANYONE USING THIS EQUIPMENT. READ ALL INSTRUCTIONS IN THIS MANUAL AND ANY INSTRUCTIONS SUPPLIED BY MANUFACTURERS OF SUPPORTING EQUIPMENT BEFORE OPERATING THIS AIR COMPRESSOR AND ESPECIALLY POINT OUT THE "SAFETY WARNINGS" TO PREVENT THE POSSIBILITY OF PERSONAL INJURY TO THE OPERATOR.

Once the unit has been uncrated, immediately write in the serial number of your unit in the space provided below.

SERIAL NUMBER _____

Inspect for signs of obvious or concealed freight damage. If damage does exist, file a claim with the transportation company immediately. Be sure that all damaged parts are replaced and that the mechanical and electrical problems are corrected prior to operation of the unit. If you require service, contact Mi-T-M® Customer Service.

Mi-T-M® Corporation, 8650 Enterprise Drive, Peosta, IA 52068
1-563-556-7484 / (1-800-553-9053 / Fax 563-556-1235
Monday - Friday 8:00 a.m. - 5:00 p.m. CST

Please have the following information available for all service calls:


1. Model Number
2. Serial Number
3. Date and Place of Purchase



IMPORTANT SAFETY INSTRUCTIONS



WARNING: When using this product, basic precautions should always be observed, including the following:
READ ALL SAFETY INSTRUCTIONS BEFORE USING AIR COMPRESSOR

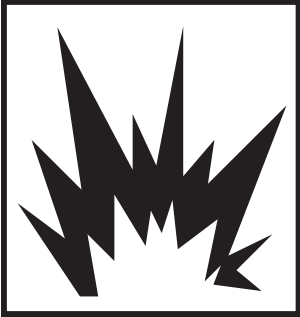

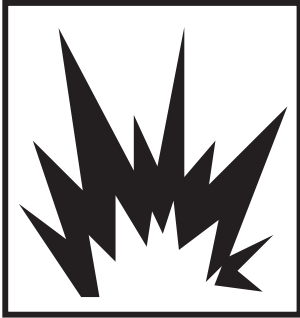
HAZARD	POTENTIAL CONSEQUENCE	PREVENTION
<p data-bbox="227 283 462 409">RISK OF ELECTRIC SHOCK OR ELECTROCUTION</p> 	<p data-bbox="568 283 966 504">Serious injury or death could occur if the air compressor is not properly grounded. Your air compressor is powered by electricity and may cause electric shock or electrocution if not used properly.</p> <p data-bbox="568 567 950 630">Electrical shock may occur from electrical cord.</p> <p data-bbox="568 1018 933 1102">Electrical shock may occur if air compressor is not operated properly.</p> <p data-bbox="568 1270 966 1354">Serious injury or death may occur if electrical repairs are attempted by unqualified persons.</p>	<p data-bbox="1023 283 1421 472">Make sure the air compressor is plugged into a properly grounded outlet which provides correct voltage and adequate fuse protection. Disconnect when not in use.</p> <p data-bbox="1023 567 1421 661">Check power cord for signs of crushing, cutting or heat damage. Replace faulty cord before use.</p> <p data-bbox="1023 693 1437 882">Keep all connections dry and off the ground. Do not allow electrical cords to lay in water or in such a position where water could come in contact with them. Do not touch plug with wet hands.</p> <p data-bbox="1023 913 1437 976">Do not pull on the electrical cord to disconnect from the outlet.</p> <p data-bbox="1023 1008 1437 1102">Never operate air compressor in wet conditions or outdoors when it is raining.</p> <p data-bbox="1023 1134 1437 1228">Never operate air compressor with safety guards/covers removed or damaged.</p> <p data-bbox="1023 1260 1421 1449">Any electrical wiring or repairs performed on this air compressor should be done by Authorized Service Personnel in accordance with National and Local electrical codes.</p> <p data-bbox="1023 1480 1437 1837">Before opening any electrical enclosure, always shut off the air compressor, relieve pressure and unplug the air compressor from the power source. Allow air compressor to cool down. Never assume the air compressor is safe to work on just because it is not operating. It could restart at any time! Service in a clean, dry, flat area.</p>



IMPORTANT SAFETY INSTRUCTIONS

READ ALL SAFETY INSTRUCTIONS BEFORE USING AIR COMPRESSOR






HAZARD	POTENTIAL CONSEQUENCE	PREVENTION
<p data-bbox="256 279 532 338">RISK OF EXPLOSION OR FIRE</p>  	<p data-bbox="623 279 1011 369">Serious injury or death may occur from normal electrical sparks in motor and pressure switch</p> <p data-bbox="623 690 1011 846">Serious injury may occur if any air compressor ventilation openings are restricted, causing the air compressor to overheat and start a fire.</p>	<p data-bbox="1042 279 1430 434">Always operate air compressor in a well ventilated area free of flammable vapors, combustible dust, gases or other combustible materials.</p> <p data-bbox="1042 501 1463 657">DO NOT SMOKE if spraying flammable material. Locate the air compressor at least 20 feet away from the spray area. (An additional hose may be required.)</p> <p data-bbox="1042 690 1471 846">Never place objects against or on top of air compressor. Operate air compressor at least 12 inches away from any wall or obstruction that would restrict proper ventilation.</p>
<p data-bbox="337 1045 483 1104">RISK OF BURSTING</p> 	<p data-bbox="623 1045 1011 1136">Serious injury or death may occur from an air tank explosion if air tanks are not properly maintained.</p> <p data-bbox="623 1486 1011 1642">Serious injury may occur from an air compressor malfunction or exploding accessories if incorrect system components, attachments or accessories are used.</p>	<p data-bbox="1042 1045 1471 1136">Drain air tank daily or after each use to prevent moisture buildup in the air tank.</p> <p data-bbox="1042 1169 1479 1356">If air tank develops a leak, replace the air tank immediately. Never repair, weld or make modifications to the air tank or its attachments. Use only genuine Manufacturer repair parts for your air compressor.</p> <p data-bbox="1042 1390 1414 1451">Never make adjustments to the factory set pressures.</p> <p data-bbox="1042 1486 1463 1577">Never exceed manufacturers maximum allowable pressure rating of attachments.</p> <p data-bbox="1042 1612 1463 1703">Because of extreme heat, do not use plastic pipe or lead tin soldered joints for a discharge line.</p> <p data-bbox="1042 1738 1463 1829">Never use air compressor to inflate small, low pressure objects such as toys.</p>



IMPORTANT SAFETY INSTRUCTIONS

READ ALL SAFETY INSTRUCTIONS BEFORE USING AIR COMPRESSOR




RISK TO BREATHING	POTENTIAL CONSEQUENCE	PREVENTION
	<p>Serious injury or death could occur from inhaling compressed air. The air stream may contain carbon monoxide, toxic vapors or solid particles.</p> <p>Sprayed materials such as paint, paint solvents, paint remover, insecticides, weed killers, etc. contain harmful vapors and poisons.</p>	<p>Never inhale air from the air compressor either directly or from a breathing device connected to the air compressor.</p> <p>Operate air compressor only in a well ventilated area. Follow all safety instructions provided with the materials you are spraying. Use of a respirator may be required when working with some materials.</p>
	<p>Serious injury could occur from touching exposed metal parts. These areas can remain hot for some time after the air compressor is shutdown.</p>	<p>Never allow any part of your body or other materials to make contact with any exposed metal parts on the air compressor.</p>
	<p>Soft tissue damage can occur from the compressed air stream.</p> <p>Serious injury can occur from loose debris being propelled at a high speed from the compressed air stream.</p>	<p>Always wear safety glasses to shield the eyes from flying debris.</p> <p>Never point the air stream at any part of your body, anyone else or animals.</p> <p>Never leave pressurized air in the air compressor. Shut off air compressor and relieve pressure when storing or attempting maintenance.</p> <p>Always maintain a safe distance from people and animals while operating the air compressor.</p> <p>Do not move the air compressor while air tank is under pressure. Do not attempt to move the air compressor by pulling on the hose.</p>



IMPORTANT SAFETY INSTRUCTIONS

READ ALL SAFETY INSTRUCTIONS BEFORE USING AIR COMPRESSOR



HAZARD	POTENTIAL CONSEQUENCE	PREVENTION
<p>RISK FROM MOVING PARTS</p> 	<p>Risk of bodily injury from moving parts. This air compressor cycles automatically when the pressure switch is in the "On/Auto" position.</p>	<p>Before performing maintenance, always turn off air compressor. Bleed pressure from the air hose and unplug electrical cord from outlet. All <u>repairs</u> to the air compressor should be made by an Authorized Service person. Never assume the air compressor is safe to work on just because it is not operating. It could restart at any time!</p> <p>Do not operate without protective covers/guards. Always unplug the air compressor before removing any guard. Replace damaged covers/guards before using the air compressor.</p>
<p>RISK FROM NEGLIGENCE</p>	<p>Risk of injury from negligent use.</p>	<p>Never allow children or adolescents to operate this air compressor!</p> <p>Stay alert-watch what you are doing. Do not operate the air compressor when fatigued or under the influence of alcohol or drugs.</p> <p>Know how to stop the air compressor. Be thoroughly familiar with controls.</p>
<p>RISK OF AIR COMPRESSOR DAMAGE</p>	<p>Risk of major repair.</p>	<p>Do not operate air compressor without an air filter.</p> <p>Do not operate air compressor in a corrosive environment.</p> <p>Always operate the air compressor in a stable, secure position to prevent air compressor from falling.</p> <p>Follow all maintenance instructions listed in this manual.</p>

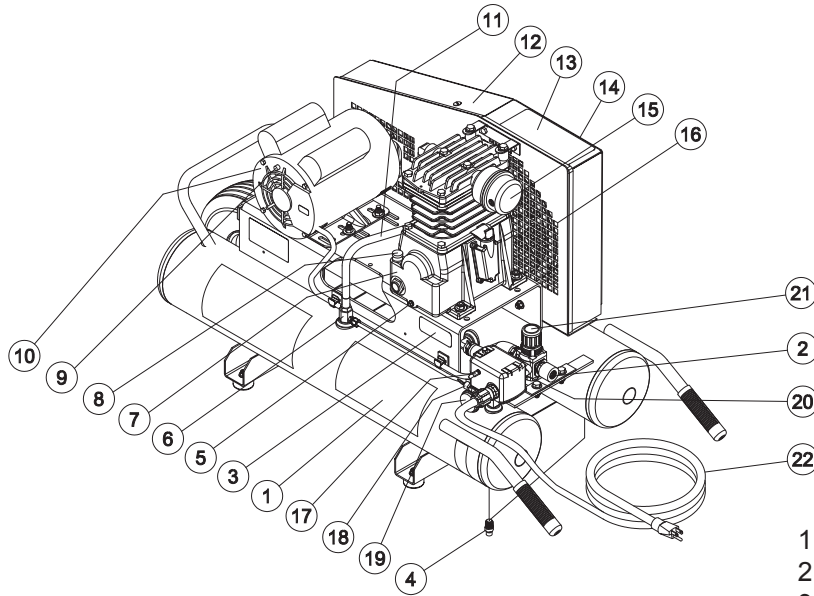


! SAVE THESE INSTRUCTIONS !



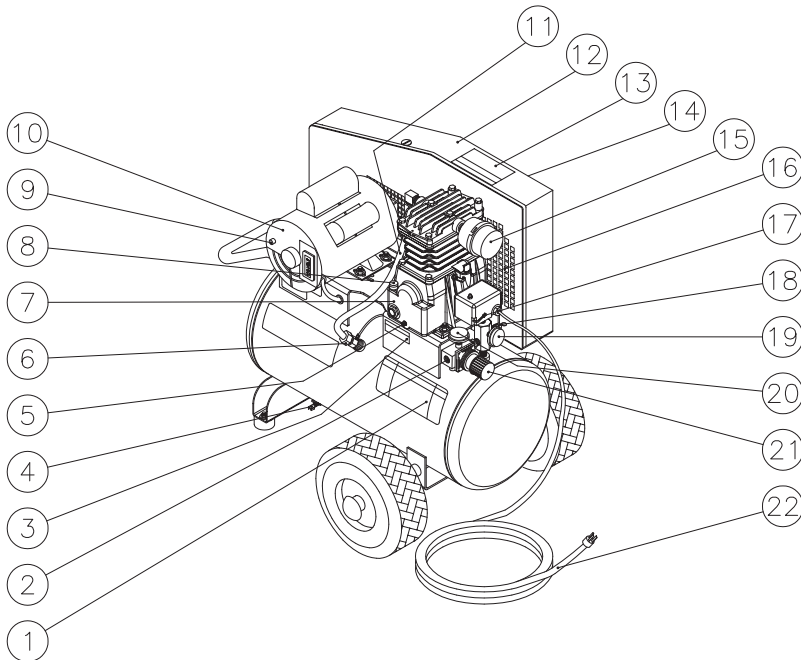
ELECTRIC AIR COMPRESSOR FEATURES (SINGLE STAGE)

AC1-PE15-FEATURE 8 GAL.-041205-DLG

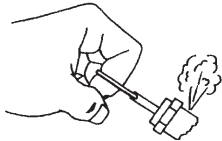


1. Decal- Danger/Warning/Caution
2. Outlet Fitting
3. Decal- Warning: Hot Surface
4. Tank Drain Valve
5. Pump Oil Drain
6. Check Valve
7. Air Compressor Pump
8. Pump Oil Fill Port
9. Thermal Overload
10. Electric Motor
11. Pump Discharge Line
12. Beltguard
13. Decal- Warning: Risk of Injury
14. Decal- Warning: Beltguard in Place
15. Air Filter
16. Ventilation Holes
17. Pressure Switch
18. Pressure Relief Valve
19. Pressure Gauge- Tank PSI
20. Pressure Gauge- Outlet PSI
21. Pressure Regulator
22. Electric Power Cord

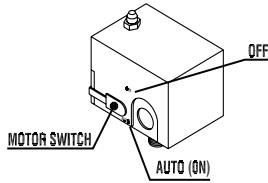
AC1-PE15-20 FEATURES-041205-DLG



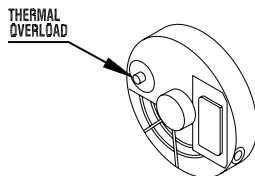
EXPLODED VIEW & EXPLANATION OF AIR COMPRESSOR FEATURES



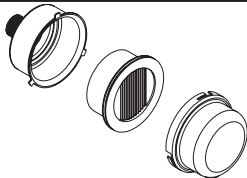
SAFETY RELIEF VALVE: This valve is designed to prevent system failures by relieving pressure from the system when the compressed air reaches a predetermined level. The valve is preset by the manufacturer and must not be modified in any way. To verify the valve is working properly, pull on the ring. Air pressure should escape. When the ring is released, it will reset.



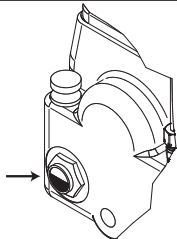
MOTOR/PRESSURE SWITCH: This switch is used to start or stop the air compressor. Moving the switch to the "Auto" (On) position will provide automatic power to the pressure switch which will allow the motor to start when the air tank pressure is below the factory set "cut-in" pressure. When in the Start/Stop Option, the pressure switch stops the motor when the air tank pressure reaches the factory set "cut-out" pressure. For safety purposes, this switch also has a pressure release valve located on the side of the switch designed to automatically release compressed air from the air compressor pump head and its discharge line when the air compressor reaches "cut-out" pressure or is shut off. This allows the motor to restart freely. Moving the switch to the "Off" position will remove power from the pressure switch and stop the air compressor.



MOTOR THERMAL OVERLOAD: The electric motor has a manual thermal overload protector. If the motor overheats for any reason, the thermal overload will cut off power, thus preventing the motor from being damaged. Wait until the motor is cool before pressing the thermal overload button to reset and begin working again.

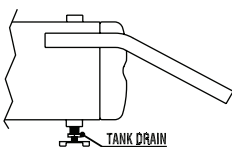


AIR INTAKE FILTER: This filter is designed to clean air coming into the pump. To ensure the pump continually receives a clean, cool, dry air supply this filter must always be clean and ventilation opening free from obstructions. Replace filter element when necessary.

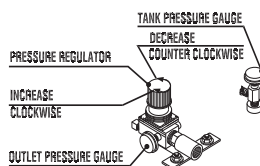


OIL FILL PORT/VENT: Pour oil into the Oil Fill Port/Vent when required.

OIL SIGHT GLASS: The Oil Sight Glass displays the oil level in the pump. The oil level should be at the center of the Oil Sight Glass. If low, add SAE 30W non-detergent oil.



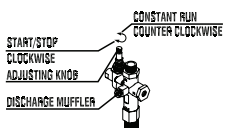
AIR TANK DRAIN VALVE: The drain valve is used to remove moisture from the air tank(s) after the air compressor is shut off. **NEVER attempt to open the drain valve when more than 10 PSI of air pressure is in the air tank!** To open the drain valve, turn the knob counterclockwise.



AIR TANK PRESSURE GAUGE: The air tank pressure gauge indicates the reserve air pressure in the air tank (s).

PRESSURE REGULATOR: The air pressure coming from the air tank is controlled by the regulator knob. Turn the pressure regulation knob clockwise to increase discharge pressure, and counterclockwise to decrease discharge pressure.

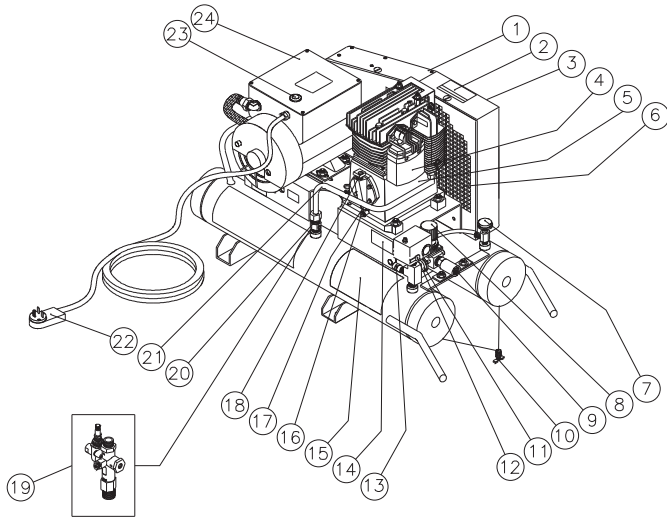
OUTLET PRESSURE GAUGE: The outlet pressure gauge indicates the air pressure available at the outlet side of the regulator. This pressure is controlled by the regulator and is always less or equal to the air tank pressure.



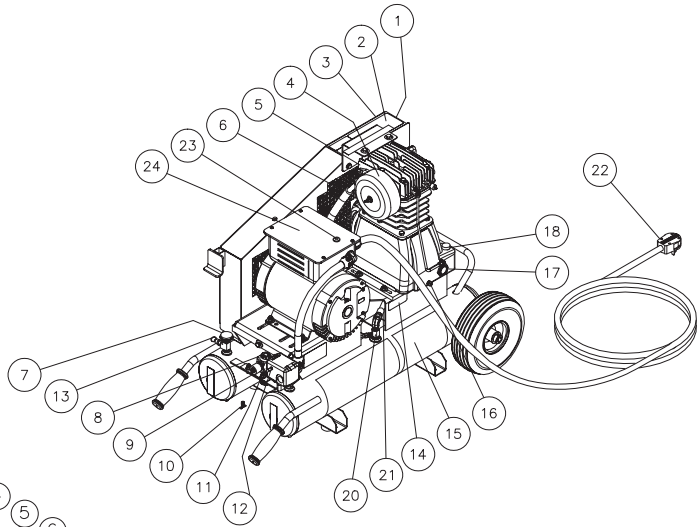
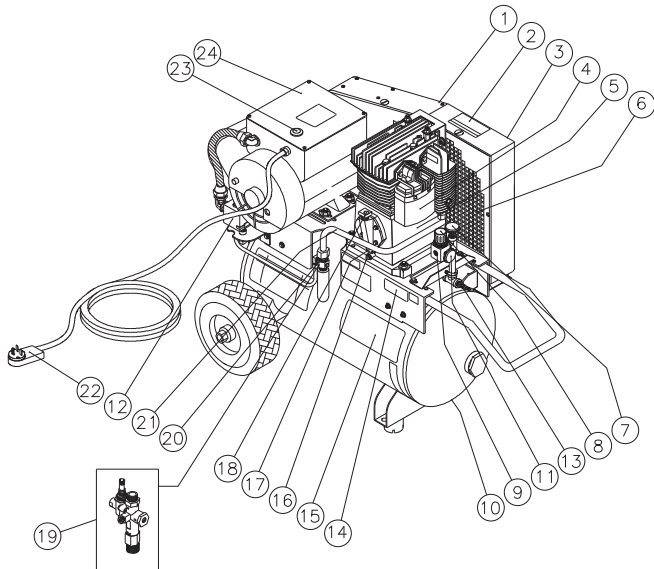
OPTION PILOT VALVE: When the adjusting knob is turned completely clockwise to the fully closed position, the air compressor operates in the Start/Stop position. When the adjusting knob is turned completely counterclockwise to the fully open position, the air compressor operates in the constant run position.

ELECTRIC AIR COMPRESSOR FEATURES (TWO STAGE)

AC2-PE05-08G-FEATURE-122700-EDW



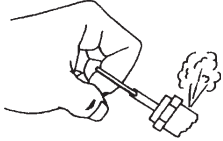
AC2-PE05-20G-FEATURE-122700-EDW



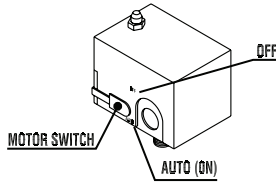
AS2-PE05-08 FEATURES-122704-DLG

1. Beltguard
2. Decal- Warning: Risk of Injury
3. Decal- Warning: Beltguard in Place
4. Air Intake Filter
5. Air Compressor Pump
6. Ventilation Openings
7. Air Tank Pressure Gauge
8. Pressure Regulator
9. Outlet Fitting
10. Air Tank Drain Valve (s)
11. Outlet Pressure Gauge
12. Motor/Pressure Switch
13. Safety Relief Valve
14. Decal- Warning: Hot
15. Decal- Danger/Warning/Caution
16. Pump Oil Drain
17. Oil Sight Glass
18. Oil Fill Port Vent
19. Pilot Valve (Optional)
20. Check Valve
21. Pump Discharge Line
22. Electric Power Cord
23. Motor Thermal Overload
24. Electric Motor

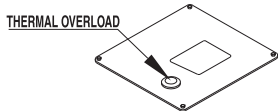
EXPLODED VIEW & EXPLANATION OF AIR COMPRESSOR FEATURES



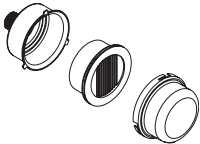
SAFETY RELIEF VALVE: This valve is designed to prevent system failures by relieving pressure from the system when the compressed air reaches a predetermined level. The valve is preset by the manufacturer and must not be modified in any way. To verify the valve is working properly, pull on the ring. Air pressure should escape. When the ring is released, it will reset.



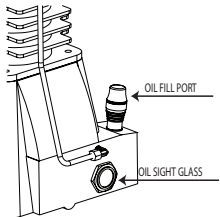
MOTOR/PRESSURE SWITCH: This switch is used to start or stop the air compressor. Moving the switch to the "Auto" (On) position will provide automatic power to the pressure switch which will allow the motor to start when the air tank pressure is below the factory set "cut-in" pressure. When in the Start/Stop Option, the pressure switch stops the motor when the air tank pressure reaches the factory set "cut-out" pressure. For safety purposes, this switch also has a pressure release valve located on the side of the switch designed to automatically release compressed air from the air compressor pump head and its discharge line when the air compressor reaches "cut-out" pressure or is shut off. This allows the motor to restart freely. Moving the switch to the "Off" position will remove power from the pressure switch and stop the air compressor.



MOTOR THERMAL OVERLOAD: The electric motor has a manual thermal overload protector. If the motor overheats for any reason, the thermal overload will cut off power, thus preventing the motor from being damaged. Wait until the motor is cool before pressing the thermal overload button to reset and begin working again.



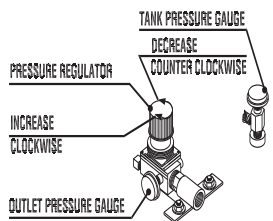
AIR INTAKE FILTER: This filter is designed to clean air coming into the pump. To ensure the pump continually receives a clean, cool, dry air supply this filter must always be clean and ventilation opening free from obstructions. Replace filter element when necessary.



OIL FILL PORT/VENT: Pour oil into the Oil Fill Port/Vent when required.

OIL SIGHT GLASS: The Oil Sight Glass displays the oil level in the pump. The oil level should be at the center of the Oil Sight Glass. If low, add SAE 30W non-detergent oil.

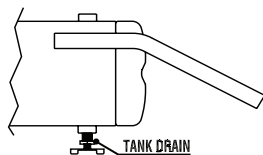
AIR COMPRESSOR PUMP: A two stage compressor pump uses two different size cylinders with the intake valve of the second smaller cylinder linked to the exhaust valve of the first larger cylinder. On the down stroke of the large cylinder, air is drawn through the intake valve while the exhaust valve remains closed. On the upstroke, air is compressed, the intake valve closes and compressed air is forced out through the exhaust valve, into the inter cooler and through the intake valve of the second smaller cylinder on its down stroke. On the upstroke of the smaller cylinder, the intake valve closes and the compressed air is compressed a second time and forced out the exhaust valve into the discharge line, through the tank check valve and into the air tank.



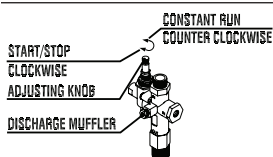
AIR TANK PRESSURE GAUGE: The air tank pressure gauge indicates the reserve air pressure in the air tank (s).

PRESSURE REGULATOR: The air pressure coming from the air tank is controlled by the regulator knob. Turn the pressure regulation knob clockwise to increase discharge pressure, and counterclockwise to decrease discharge pressure (Actual delivered pressure may vary from pump maximum pressure rating).

OUTLET PRESSURE GAUGE: The outlet pressure gauge indicates the air pressure available at the outlet side of the regulator. This pressure is controlled by the regulator and is always less or equal to the air tank pressure.



AIR TANK DRAIN VALVE: The drain valve is used to remove moisture from the air tank(s) after the air compressor is shut off. **NEVER attempt to open the drain valve when more than 10 PSI of air pressure is in the air tank!** To open the drain valve, turn the knob counterclockwise.



PILOT VALVE OPTION: When the adjusting knob is turned completely clockwise to the fully closed position, the air compressor operates in the Start/Stop position. When the adjusting knob is turned completely counterclockwise to the fully open position, the air compressor operates in the constant run position.

WARNING

THE FOLLOWING PAGES CONTAIN OPERATING AND MAINTENANCE INSTRUCTIONS.

DO NOT ATTEMPT TO OPERATE THIS AIR COMPRESSOR UNTIL YOU HAVE READ AND UNDERSTOOD ALL SAFETY PRECAUTIONS AND INSTRUCTIONS LISTED IN THIS MANUAL.

INCORRECT OPERATION OF THIS UNIT CAN CAUSE SERIOUS INJURY!!

DO NOT ALTER OR MODIFY THIS EQUIPMENT IN ANY MANNER!

PREPARATION INSTRUCTIONS

 **WARNING** 
RISK OF EXPLOSION OR FIRE
CAUSING SERIOUS INJURY
OR DEATH!

Do not allow the motor or Motor/Pressure Switch to come in contact with flammable vapors, combustible dust, gases or other combustible materials. An electric spark may cause an explosion or fire.

When using the air compressor for spray painting, place the air compressor as far away from the work area as possible, using extra air hoses instead of extension cords.

INITIAL SET-UP:

1. Read safety warnings before setting-up air compressor.
2. Ensure the oil level in the air compressor pump is adequate. If low, add SAE-30W non-detergent oil.

LOCATION:

1. In order to avoid damaging the air compressor, do not incline the air compressor transversely or longitudinally more than 10°.
2. Place air compressor at least 12 inches away from obstacles that may prevent proper ventilation. Do not place air compressor in an area:
 - where there is evidence of oil or gas leaks.
 - where flammable gas vapors or materials may be present.
 - where air temperatures fall below 32°F or exceed 104°F.
 - where extremely dirty air or water could be drawn into the air compressor.



DANGER
RISK OF ELECTROCUTION!

Improper connection of the equipment-grounding conductor can result in a risk of shock or electrocution. Check with a qualified electrician or service personnel if you are in doubt as to whether the outlet is properly grounded. This product is factory equipped with a specific electric cord and plug based on the units voltage and amperage rating. This is for connection to a proper electric circuit. Only connect the product to an outlet having the same configuration as the plug. Do not use an adapter with this product. If the product must be reconnected for use on a different type of electric circuit, the reconnection shall be made by qualified service personnel. If repair or replacement of the cord or plug is necessary, do not connect the grounding wire to either flat blade terminal. The wire with insulation having an outer surface that is green with or without yellow stripes is the grounding wire.

ELECTRICAL:

1. USE OF AN EXTENSION CORD IS NOT RECOMMENDED because it could cause the compressor motor to overheat. It's preferable to use additional air hose instead of an extension cord.
2. If use of an extension cord is unavoidable, be sure to use one heavy enough to carry the current your compressor will draw. Minimum cord sizes is as follows:

Ampere Rating Range	Voltage	Length of cord in ft					
	120V	25 ft	50 ft	100 ft	150 ft	200 ft	250 ft
	240V	50 ft	100 ft	200 ft	300 ft	400 ft	500 ft
8 - 10		18	14	12	10	8	8
10 - 12		16	14	10	8	8	6
12 - 14		16	12	10	8	6	6
14 - 16		16	12	10	8	6	6
16 - 18		14	12	8	8	6	4
18 - 20		14	12	8	6	6	4

3. Use only a 3-wire extension cord that has a 3-blade grounding plug and a 3-slot receptacle that will accept the plug on the compressor.
4. Examine cords before using. Do not use the compressor if its cord is damaged. Do not use a damaged extension cord.
5. Keep cords away from heat and sharp edges. Do not pull on a cord to disconnect a plug -- grasp the plug.
6. Always shut off the compressor Pressure Switch before unplugging the compressor.



WARNING
RISK OF ELECTRICAL SHOCK!

This product must be grounded. If there should be a malfunction or breakdown, grounding provides a path of least resistance for electric current to reduce the risk of electric shock. This product is equipped with a cord having an equipment-grounding conductor and a grounding type plug. The plug must be plugged into an appropriate outlet that is properly installed and grounded in accordance with all local codes and ordinances.

OPERATING INSTRUCTIONS

⚠ WARNING
RISK OF BODILY INJURY!

Never attempt to open the Air Tank Drain Valve when more than 10 PSI of air pressure is in the air tank!

PRE-START CHECKLIST:

1. Check oil level. Add if necessary.
2. Remove any moisture in the air compressor air tank. **NEVER attempt to open the Air Tank Drain Valve when more than 10 PSI of air pressure is in the air tank!** Remove excessive pressure with an air tool, then open the Air Tank Drain Valve in the bottom of the air tank. Close tightly when drained.
3. Make sure the Motor/Pressure Switch is in the "OFF" position.
4. Make sure the Safety Relief Valve is working correctly.
5. Make sure all guards and covers are in place and securely mounted.

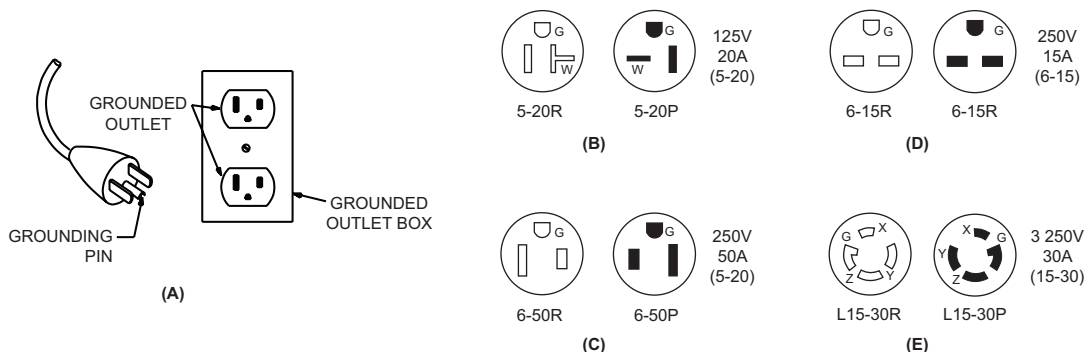
START-UP:

1. Read safety warnings before performing operation.
2. Ensure the Motor/Pressure Switch is in the "OFF" position.
3. Plug the Power Cord into a grounded outlet.
4. Move the Motor/Pressure Switch to the "AUTO" position.
FOR UNITS EQUIPPED WITH DUAL CONTROL: Locate the adjustment knob at the top of the Pilot Valve.
 - Turn it completely clockwise to the fully closed position. This will allow the air compressor to start building up pressure in the air tanks and shut-off when correct pressure is achieved. When pressure drops with usage, the air compressor will start automatically.
 - Turn it completely counterclockwise to the fully open position. The air compressor is now set up to run continuously. When pressure reaches the preset level in the air tank, pressure will bleed through the Pilot Valve with the motor still running.
5. Set pressure by adjusting the Pressure Regulator counterclockwise for less pressure and clockwise for more pressure.
6. If you notice any unusual noise or vibration, stop the air compressor and refer to "Troubleshooting".

SHUTDOWN:

1. To stop the air compressor, move the lever on the pressure switch box to the "OFF" position, then unplug the unit from the electric circuit. NEVER stop the air compressor by unplugging it from the power source. This could result in risk of electrocution or damage to unit.
2. Drain air from the air tanks by releasing air with an attached air tool or by pulling on the Safety Relief Valve.
3. Once the Air Tank Pressure Gauge registers under 10 pounds, open the Air Tank Drain Valve under each air tank to drain any moisture.
4. Allow the air compressor to cool down.
5. Wipe the air compressor clean and store in a safe, non-freezing area with the cord coiled up and protected from accidental damage.


EXAMPLES OF POSSIBLE CORD PLUGS AND CORRESPONDING RECEPTACLE



MAINTENANCE INSTRUCTIONS

Read the instruction manual before performing maintenance. The following procedures must be performed when stopping the air compressor for maintenance or service.

1. Turn off air compressor.
2. Disconnect Power Cord from main power supply.
3. Open all drains.
4. Wait for the air compressor to cool before starting service.

 **WARNING**
RISK OF BODILY INJURY!

Never assume the air compressor is safe to work on just because it is not operating. It could restart at any time!

AC Ele. Maintenance Chart

MAINTENANCE CHART				
PROCEDURE	DAILY	WEEKLY	MONTHLY	200 HOURS
Check pump oil level	X			
Oil leak inspection	X			
Drain condensation in air tank (s)	X			
Inspect guards/covers	X			
Check for unusual noise/vibration	X			
Check for air leaks	X			
Clean exterior of compressor		X		
Inspect air filter		X		
Inspect belt			X	
Check safety relief valve			X	
Change pump oil *				X
Replace air filter				X

*The pump oil must be changed after the first 50 hours of operation and every 200 hours or 3 months, whichever comes first.

Every two years, an Authorized Service Technician should check the check valve, intake valves and delivery valves.

TROUBLESHOOTING

SYMPTOM	PROBABLE CAUSE	REMEDY
Air compressor will not start.	Power Cord not plugged in.	Plug Power Cord into a grounded outlet.
	Motor/Pressure Switch turned "OFF".	Move Motor/Pressure Switch to "AUTO" position.
	Motor Thermal Overload tripped on air compressor.	Turn unit off, wait 5 minutes, then press Motor Thermal Overload until click is heard.
	Circuit breaker tripped or fuse blown at power source.	Reset circuit breaker or replace fuse if necessary, using only "Fusetron" type T fuses. Check for low voltage conditions. Disconnect any other electrical appliances from circuit or operate air compressor on its own branch circuit.
	Lack of oil in the air compressor.	Add oil. (See page 9 or 11)
	Extension cord is too small.	Use additional air hose instead of extension cord, or use proper wire gauge and cord length. (See page 12)
	Motor voltage does not match power source.	Contact Mi-T-M® Customer Service.
	Air tank pressure achieved the "Maximum setting" or "Stop pressure" of the Motor/Pressure Switch.	When Pilot Valve is set in the Start/Stop position, motor will start automatically when air tank pressure drops down to the "Cut-in" or "Start" pressure of the Motor/Pressure Switch.
	Pressure release valve on Motor/Pressure Switch has not unloaded pump head pressure.	Bleed the line by moving the switch to the "Off" position.
	Pilot valve's check valve stuck open.	Remove and clean or replace.
Defective motor, or Motor/Pressure Switch.	Contact Mi-T-M® Customer Service.	
Air compressor will not start, but motor hums, then stops.	Extension cord too small.	Use additional air hose instead of extension cord, or use proper wire gauge and cord length. (See page 12)
	Loose electrical connection.	Contact qualified electrician.
	Improper ventilation.	Move unit to well ventilated area.
	Oil weight too heavy.	Use lighter weight oil. (See pg. 9 or 11)
	Too many appliances being operated on same circuit.	Use another circuit or remove excess appliances from circuit.
	Incorrect voltage, incorrect sized circuit breaker, fuse or motor. Defective motor.	Contact qualified electrician.
	Defective Check Valve or Motor/Pressure Switch.	Replace.
Air compressor does not stop even though the maximum pressure allowed has been reached.	Motor/Pressure Switch not operating correctly.	Replace.

TROUBLESHOOTING

SYMPTOM	PROBABLE CAUSE	REMEDY
Noisy operation.	Loose motor pulley or pump flywheel.	Tighten pulley and or flywheel.
	Lack of oil in the pump.	Add correct amount of oil. Check for bearing damage.
	Carbon deposits on pistons or valves.	Remove cylinder head and inspect. Clean or replace valve plate.
	Bearing, piston or connecting rod failure.	STOP THE AIR COMPRESSOR! Contact Mi-T-M® Customer Service.
Pressure drop in air tank or rapid pressure loss when air compressor is shut off.	Air leaks at connections.	Allow the air compressor to build pressure to the maximum allowed. Turn off and brush a soapy water solution onto all connections. Check connections for air bubbles. Tighten the connections where leaks are present.
	Defective Check Valve or Pilot Valve.	Remove, clean or replace.
	Air leak in air tank.	Air tank must be replaced. Do not attempt to repair air tank!
Insufficient pressure at air tool or accessory.	Air leaks or restrictions.	Check for leaks and repair.
	Restricted air intake filter.	Clean or replace.
	Hose or hose connections are too small or long.	Replace with larger hose or connectors.
	Air compressor is not large enough for air requirement.	Use a smaller tool or larger air compressor.
	Pressure Regulator not turned to high enough pressure or defective.	Adjust Pressure Regulator to proper setting or replace.
	Slipping belt.	Tighten or replace.
Air leaks from Safety Relief Valve.	Possible defective Safety Relief Valve.	Operate Safety Relief Valve manually by pulling on ring. If it still leaks, it should be replaced.
	Excessive air tank pressure.	Replace Motor/Pressure Switch. Clean, reset or replace Pilot Valve.
Air leaks at pump.	Defective gaskets.	Torque head bolts: Single Stage= 17 ft./lbs. Two Stage= 33 ft./lbs.
Air continues to leak at Motor/ Pressure Switch while motor is running.	Defective Motor/Pressure Switch.	Replace.
Air blowing from Air Intake Filter.	Damaged inlet (reed) valve.	Replace.

TROUBLESHOOTING

SYMPTOM	PROBABLE CAUSE	REMEDY
When in the Start/Stop Option, motor runs continuously.	Motor/Pressure Switch does not shut off motor when air compressor reaches "cut-out" pressure and safety relief valve activates.	Move the Motor/Pressure Switch to the "OFF" position. If the motor does not shut off, unplug the air compressor. If the electrical contacts are welded together, replace the pressure switch.
	Air compressor is incorrectly sized.	Limit the air pressure to the capacity of the air compressor. Either use a smaller tool or a larger air compressor.
Moisture in discharge air.	Condensation in air tank caused by high level of atmospheric humidity.	Run air compressor a minimum of one hour to prevent condensation buildup. Drain air tank after every use. Drain air tank more often in humid weather and use an air line filter.
Excessive oil consumption or oil in hose.	Restricted air intake filter.	Clean or replace.
	Air compressor on unlevel surface.	Do not incline the air compressor more than 10° in any direction while running.
	Crankcase overfilled with oil.	Drain oil. Refill to proper level with SAE-30W non-detergent oil.
	Wrong viscosity.	Drain oil. Refill to proper level with SAE-30W non-detergent oil.
	Plugged oil dipstick vent.	Clean.
	Oil leaks.	Tighten pump bolts to torque stated in Parts List, or replace gaskets.
	Worn piston rings or scored cylinder.	Contact Mi-T-M® Customer Service.
Oil has milky appearance.	Water in oil due to condensation.	Change oil and move air compressor to a less humid environment.
Unit runs backward.	Reversed wiring.	Contact qualified electrician.



Mi-T-M PORTABLE ELECTRIC AIR COMPRESSOR STATEMENT OF WARRANTY

Mi-T-M® warrants all parts, (except those referred to below), of your new air compressor to be free from defects in materials and workmanship during the following periods:

For Two (2) Years from the date of original purchase:

Compressor Pump Plumbing
Tank Assembly

For Six (6) months from date of original purchase;

Pressure Switch Regulator
Check Valve Pilot Valve
Copper/stainless steel line

For Ninety (90) days from the date of original purchase:

Pressure Gauges Safety Relief Valves
Drain Valves

Defective parts not subject to normal wear and tear will be repaired or replaced at our option during the warranty period. In any event, reimbursement is limited to the purchase price paid.

EXCLUSIONS

1. Motor is covered under separate warranty by its respective manufacturer and is subject to the terms set forth therein.
2. Normal wear parts:
Isolators Air Filter
3. This warranty does not cover parts damaged due to normal wear, abnormal conditions, misapplication, misuse, accidents, operation at other than recommended voltage, pressures or temperature, improper storage or freight damage. Parts damaged or worn by operation in dusty environments are not warranted. Failure to follow recommended operating and maintenance procedures also voids warranty.
4. Labor charges, loss or damage resulting from improper operation, maintenance (other than routine air tank draining and oil changes, if applicable) or repairs made by persons other than a Mi-T-M® Authorized Service Center.
5. The use of other than Genuine Repair Parts will void warranty. Parts returned, prepaid to our factory or to an Authorized Service Center will be inspected and replaced free of charge if found to be defective and subject to warranty. Under no circumstances shall the manufacturer bear any responsibility for loss of use of the unit, loss of time or rental, inconvenience, commercial loss or consequential damages. There are no warranties which extend beyond the description of the face hereof.

For Service or Warranty Consideration, contact
Mi-T-M® Corporation, 8650 Enterprise Drive, Peosta, IA 52068
563-556-7484 / 800-553-9053 / Fax 563-556-1235
Monday - Friday 8:00 a.m. - 5:00 p.m. CST

NOTES

NOTES

TABLE DES MATIERES

INTRODUCTION	23
IMPORTANT	23
INSPECTION.....	23
IMPORTANTES CONSIGNES DE SECURITE	24-27
Risque de décharge électrique ou d'électrocution	24
Risque d'explosion ou d'incendie	25
Risque d'éclatement.....	25
Risque de problèmes respiratoires	26
Risque de brûlures	26
Risque de projection d'objets.....	26
Risque provenant de pièces mobiles	27
Risque résultant de négligence.....	27
Risque de dégâts au compresseur d'air.....	27
DESSINS DES COMPOSANTS.....	28 & 30
REVUE DES COMPOSANTS	29 & 31
INSTRUCTIONS DE PREPARATION	33-34
Installation initiale.....	33
Emplacement.....	33
Electrique	33
Points de contrôle avant démarrage	34
INSTRUCTIONS D'UTILISATION.....	34
Mise en marche	34
Mise à l'arrêt.....	34
INSTRUCTIONS D'ENTRETIEN.....	35
DEPANNAGE.....	36-39
BON DE GARANTIE.....	40
NOTE.....	41

WARNING

AVERTISSEMENT: Ce produit contient du plomb, un produit chimique qui est connu par l'état de Californie comme étant la cause de cancer et de malformations congénitales ou autres effets nocifs de reproduction.

Laver vos mains après avoir manipulé ce produit.

AVERTISSEMENT

Ce produit contient un ou plusieurs produits chimiques qui sont connus par l'état de Californie comme étant la cause de cancer, de défauts de naissance et d'autres problèmes reproductifs.

INTRODUCTION

Félicitations de l'achat de votre nouveau compresseur d'air! Vous pouvez être assuré que votre nouveau compresseur a été construit avec le plus haut niveau de précision et de fiabilité. Chaque composant a été rigoureusement testé par des techniciens pour assurer la qualité, la durabilité et la performance de ce compresseur d'air.

Ce manuel opérateur a été dressé pour que vous en retiriez le meilleur parti. Par la lecture et l'application des mesures simples de sécurité, d'installation et d'opération, d'entretien et de dépannage décrites dans ce manuel, votre nouveau compresseur d'air fonctionnera sans faille pendant de nombreuses années. Le contenu de ce manuel est basé sur la dernière information disponible du produit au moment de la publication. Mi-T-M® se réserve le droit d'effectuer des changements de prix, de couleur, de matériaux, d'équipement, de caractéristiques ou de modèles à tout moment sans communication préalable.



IMPORTANT!

Les avertissements de sécurité "DANGER, AVERTISSEMENT ou ATTENTION" seront entourés par un "ENCADRE ALERTE SECURITE". Cet encadré est utilisé pour indiquer et souligner les avertissements de sécurité qui doivent être suivis en actionnant ce compresseur d'air. En plus des avertissements de sécurité, des "mots d'alerte" sont utilisés pour indiquer le degré ou niveau de risque. Les "mots d'alerte" utilisés dans ce manuel sont comme suit:



DANGER: Indique une situation au danger imminent qui, si elle n'est pas évitée, ENTRAINERA la mort ou des blessures graves.



AVERTISSEMENT: Indique une situation potentiellement dangereuse qui, si elle n'est pas évitée, POURRAIT entraîner la mort ou des blessures graves.



ATTENTION: Indique une situation potentiellement dangereuse, qui, si elle n'est pas évitée, PEUT entraîner des blessures mineures ou peu graves et des dégâts au compresseur.



Les symboles placés à gauche de ce paragraphe sont des "symboles d'alerte de sécurité". Ces symboles sont utilisés pour souligner les points ou les procédures qui pourraient être dangereuses pour vous ou tout autre personne utilisant cet équipement.

Fournissez toujours une copie de ce manuel à toute personne utilisant cet équipement. Lisez toutes les instructions dans ce manuel et toutes instructions fournies par les fabricants d'équipement de support avant d'utiliser ce compresseur d'air et attirer spécialement l'attention aux "Avertissements de Sécurité" pour éviter la possibilité de blessures pour l'utilisateur.

Une fois l'appareil déballé, écrivez immédiatement le numéro de série de votre appareil dans l'espace ci-dessous.

NUMERO DE SERIE _____

Assurez-vous qu'il n'y a pas de signes de dommages évidents ou cachés suite au transport. En cas de dommage, remplissez immédiatement une réclamation avec la compagnie de transport. Assurez-vous que toutes les pièces endommagées sont remplacées et les problèmes mécaniques et électriques corrigés avant l'utilisation de l'appareil. Si vous avez besoin d'assistance, entrez en contact avec votre service clientèle.

Mi-T-M® Corporation, 8650 Enterprise Drive, Peosta, IA 52068
563-556-7484 / 800-553-9053 / Fax 563-556-1235
du lundi au vendredi de 8h00 à 17h, CST (heure centrale)

Veuillez avoir les informations suivantes disponibles pour toute intervention:


1. Numéro de modèle
2. Numéro de série
3. Date et lieu d'achat



IMPORTANTES CONSIGNES DE SECURITE

AVERTISSEMENT: Lors de l'utilisation de cet appareil, des précautions de base doivent toujours être observées incluant les suivantes: lire attentivement les consignes de sécurité avant d'utiliser ce compresseur.

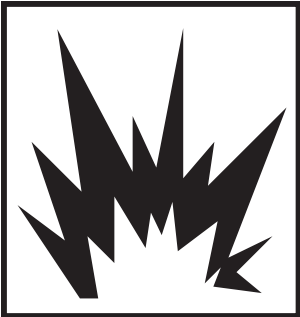




RISQUE	CONSEQUENCE POTENTIELLE	PREVENTION
<p data-bbox="196 285 505 373">RISQUE DE DECHARGE ELECTRIQUE OU D'ELECTROCUTION</p> 	<p data-bbox="573 285 959 562">Des risques de mort ou de blessures graves peuvent survenir si le compresseur n'est pas relié à la terre correctement. Votre compresseur est alimenté à l'électricité et il y a risque de décharge électrique ou d'électrocution si l'appareil n'est pas utilisé adéquatement.</p> <p data-bbox="573 583 959 642">Une décharge électrique peut se produire par le fil électrique.</p> <p data-bbox="573 1083 959 1171">Une décharge électrique peut se produire si le compresseur n'est pas utilisé correctement.</p> <p data-bbox="573 1367 979 1518">Des risques de mort ou de blessures graves peuvent survenir si des réparations électriques sont effectuées par des personnes incompetentes.</p>	<p data-bbox="1000 285 1406 447">Assurez-vous que le compresseur est relié à une prise correctement mise à la terre qui fournit une tension et un coupe circuit adéquats. Débrancher en cas de non-utilisation.</p> <p data-bbox="1000 590 1427 726">Vérifier que le cordon d'alimentation n'a pas d'écrasement, de coupures ou de dommages résultant de la chaleur. Remplacer le cordon électrique abimé avant utilisation.</p> <p data-bbox="1000 758 1435 978">Garder tous les branchements au sec et au dessus du sol. Ne pas permettre aux fils électriques de tremper dans l'eau ou de se retrouver dans une position telle que le contact avec l'eau serait possible. Ne pas toucher la prise avec les mains mouillées.</p> <p data-bbox="1000 1010 1427 1062">Ne pas tirer sur le fil électrique pour le débrancher de la prise.</p> <p data-bbox="1000 1094 1406 1199">Ne jamais faire fonctionner le compresseur dans des conditions humides ou à l'extérieur quand il pleut.</p> <p data-bbox="1000 1230 1430 1335">Ne jamais faire fonctionner le compresseur sans les gardes de sécurité/les caches de protection ou si les gardes sont endommagées.</p> <p data-bbox="1000 1367 1398 1556">Toutes réparations ou tout câblage électrique effectués sur le compresseur doivent être effectués par le personnel d'un centre de service autorisé qualifié conformément aux codes d'électricité locaux et nationaux.</p> <p data-bbox="1000 1587 1435 1934">Avant d'ouvrir n'importe quel boîtier électrique, s'assurer que le compresseur est à l'arrêt, relâcher la pression et débrancher le compresseur de la source d'énergie. Laisser le compresseur refroidir. Ne pas travailler sur le principe qu'il est sans risque d'effectuer un travail sur le compresseur alors qu'il est à l'arrêt. Il pourrait se remettre en marche à tout moment! Tout travail doit s'effectuer dans un endroit propre, sec et plat.</p>



IMPORTANTES CONSIGNES DE SECURITE
LIRE TOUTES LES CONSIGNES DE SECURITE AVANT D'UTILISER
CE COMPRESSEUR






RISQUE	CONSEQUENCE POTENTIELLE	PREVENTION
<p align="center">RISQUE D'EXPLOSION OU D'INCENDIE</p>  	<p>Des risques de mort ou de blessures graves peuvent survenir à la suite d'étincelles électriques normales dans le moteur et l'interrupteur de pression.</p> <p>Toute obstruction aux événements du compresseur peut provoquer une surchauffe importante et risque d'entraîner un incendie, et également, en conséquence, des blessures graves.</p>	<p>Toujours faire fonctionner le compresseur dans un endroit bien ventilé, libre de vapeurs inflammables, de poussière combustible, de gaz, ou d'autres matériaux combustibles.</p> <p>NE PAS FUMER si vous pulvérisiez une matière inflammable! Placer le compresseur à au moins 20 pieds (6.09 M) de l'aire de vaporisation. (L'addition d'un tuyau supplémentaire peut être nécessaire.)</p> <p>Ne jamais placer d'objets contre ou sur le dessus du compresseur. Afin d'éviter de nuire à la circulation d'air, faire fonctionner le compresseur dans un endroit ouvert d'au moins 12 pouces (30 cm) de tout mur ou de toutes obstructions.</p>
<p align="center">RISQUE D'ECLATEMENT</p> 	<p>Des risques de mort ou de blessures graves peuvent survenir à la suite d'une explosion du réservoir d'air si les réservoirs d'air ne sont pas entretenus correctement.</p> <p>Des blessures graves peuvent survenir suite à une dysfonction du compresseur ou à l'explosion d'accessoires si des composants du système, des rajouts ou des accessoires incorrects sont utilisés.</p>	<p>Vider le réservoir d'air quotidiennement ou après chaque utilisation afin d'éviter l'accumulation d'humidité.</p> <p>Si le réservoir d'air présente une fuite, le remplacer immédiatement. Ne jamais faire de réparations, de soudures ou de modifications au réservoir d'air ou à ses accessoires. N'utiliser que les pièces détachées de votre concessionnaire Mi-T-M pour réparer votre compresseur.</p> <p>Ne jamais modifier les pressions établies en usine.</p> <p>Ne jamais excéder la valeur maximale de pression recommandée des accessoires établis par le fabricant.</p> <p>En raison de la chaleur extrême, ne pas utiliser de tuyau en plastique ou de joints soudés à l'étain/fer pour la conduite de décharge. Ne jamais utiliser le compresseur pour gonfler de petits objets à faible pression tels que les jouets d'enfants.</p>



IMPORTANTES CONSIGNES DE SECURITE

LISER TOUTES LES CONSIGNES DE SECURITE AVANT D'UTILISER LE COMPRESSEUR D'AIR



RISQUE	CONSEQUENCE POTENTIELLE	PREVENTION
<p>RISQUE DE PROBLEME RESPIRATOIRE</p> 	<p>Respirer l'air comprimé peut entraîner des blessures graves allant jusqu'à la mort. Le jet d'air peut contenir de l'oxyde de carbone, des vapeurs toxiques, ainsi que des particules solides.</p> <p>Les matériaux pulvérisés tels que la peinture, les solvants de peinture, les décapants, les insecticides, les désherbants et autre contiennent des vapeurs nocives et toxiques.</p>	<p>Ne jamais inhaler l'air émis par le compresseur, que ce soit directement ou au moyen d'un dispositif respirateur branché au compresseur.</p> <p>N'utiliser l'appareil que dans un endroit bien aéré. Suivre toutes les instructions de sécurité données avec les matériaux que vous pulvérisiez. L'usage d'un masque respiratoire peut être nécessaire quand vous travaillez avec certains matériaux.</p>
<p>RISQUE DE BRULURES</p> 	<p>Le fait de toucher les surfaces de métal exposées peut causer de graves blessure. Ces surfaces peuvent rester chaudes pendant un certain temps après l'arrêt du compresseur.</p>	<p>Ne jamais laisser aucune partie de votre corps ou autre matériaux entrer en contact avec les surfaces de métal exposées de votre compresseur.</p>
<p>RISQUE DE PROJECTION D'OBJETS</p> 	<p>Le jet d'air comprimé peut causer des lésions aux tissus de la peau exposée.</p> <p>Des blessures graves peuvent être provoquées par des débris solides projetés à grande vitesse par le jet d'air comprimé.</p>	<p>Porter toujours des lunettes protectrices afin de vous protéger les yeux contre les projections de débris.</p> <p>Ne jamais diriger le jet d'air vers votre corps, d'autres individus ou des animaux.</p> <p>Ne jamais laisser d'air sous pression dans le compresseur. Mettez vous à la position arrêt et relâchez la pression avant de ranger ou d'entamer l'entretien de votre appareil.</p> <p>Ecarter toute personne ou animal de la zone d'utilisation quand vous travaillez.</p> <p>Ne jamais déplacer le compresseur lorsque le réservoir d'air est sous pression. N'essayer pas de déplacer l'appareil en tirant sur le tuyau.</p>



IMPORTANTES CONSIGNES DE SECURITE

LISER TOUTES LES CONSIGNES DE SECURITE AVANT D'UTILISER LE COMPRESSEUR D'AIR



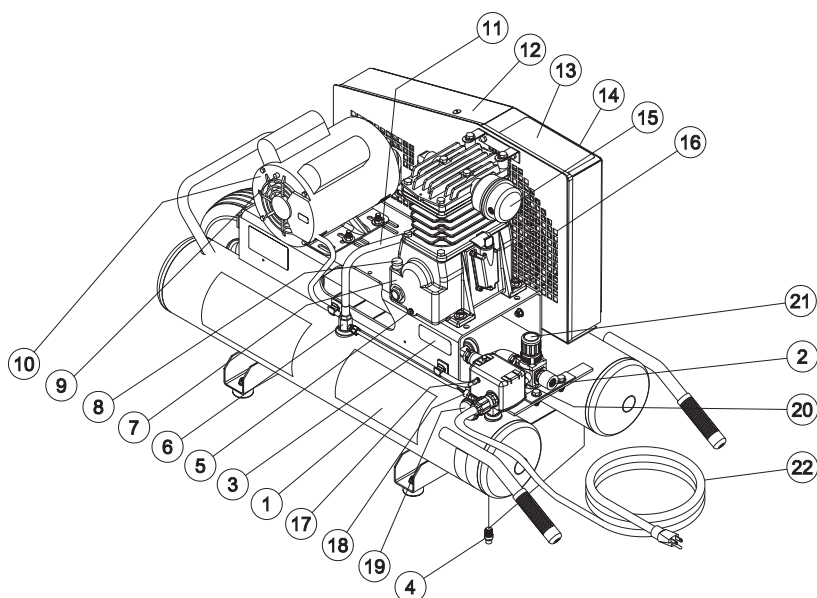
RISQUE	CONSEQUENCE POTENTIELLE	PREVENTION
<p>RISQUE CAUSE PAR LES PIECES MOBILES</p> 	<p>Risque de blessures corporelles causé par les pièces mobiles. Ce compresseur fonctionne automatiquement quand l'interrupteur pression est en position "Marche/Auto".</p>	<p>Avant de procéder à <u>l'entretien</u>, veuiller toujours éteindre l'appareil. Purger la pression dans le tuyau d'air et débrancher le cordon électrique de la prise. Toutes <u>les réparations</u> du compresseur d'air doivent être effectuées par une agence agréée de service après vente. Ne parter pas du principe qu'il est sans risque d'effectuer un travail sur le compresseur alors qu'il est à l'arrêt. Il pourrait se remettre en marche à tout moment.</p> <p>Ne jamais faire fonctionner le compresseur sans gardes et caches de protection. Débrancher toujours le compresseur avant d'enlever toute garde de protection. Remplacer les gardes et caches de protection si elles sont endommagées avant de se servir du compresseur.</p>
<p>RISQUE RESULTANT DE LA NEGLIGENCE</p>	<p>Risque de blessures par utilisation négligente.</p>	<p>Le compresseur est interdit aux enfants et adolescents!</p> <p>Rester vigilant et attentif à vos gestes. Ne pas utiliser l'appareil sous l'effet de la fatigue ou sous l'influence d'alcool ou de drogues.</p> <p>Savoir arrêter le compresseur. Connaître à fond son fonctionnement.</p>
<p>RISQUE DE DEGATS AU COMPRESSEUR</p>	<p>Risque de réparations importantes.</p>	<p>N'utiliser jamais l'appareil sans filtre à air.</p> <p>Ne pas utiliser le compresseur dans un environnement corrosif.</p> <p>Ne faire fonctionner le compresseur que lorsqu'il est en position stable et ferme afin d'éviter la chute de l'appareil.</p> <p>Veillez lire toutes les instructions d'entretien contenues dans ce manuel.</p>



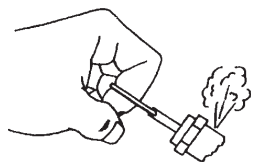
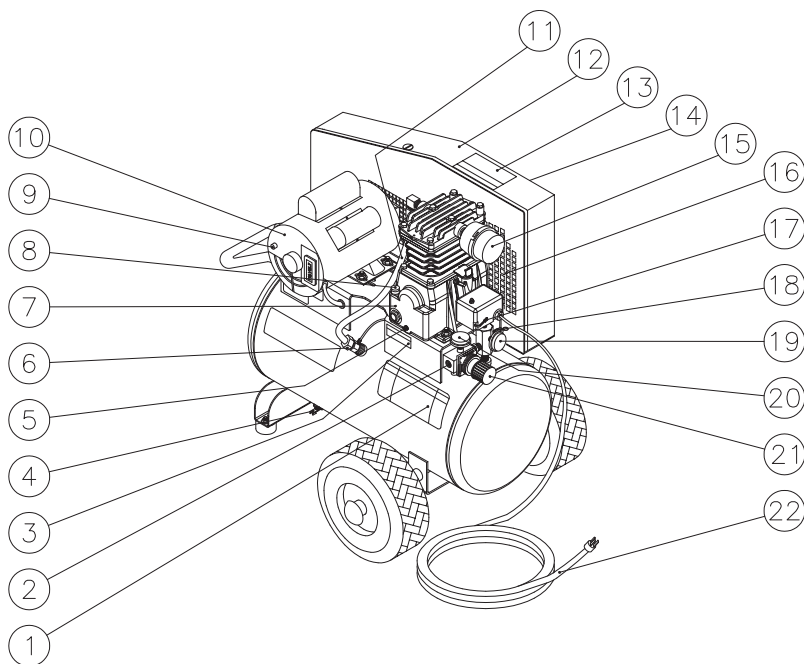
!GARDER CES INSTRUCTIONS!



COMPOSANTS DU COMPRESSEUR D'AIR ELECTRIQUE (ETAGE UNIQUE)

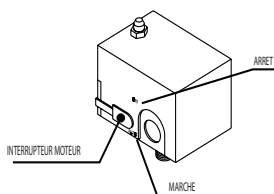


1. Décalque-Danger/Avertissement/Attention
2. Adaptateur de sortie
3. Décalque-Avertissement: Chaud
4. Robinet de purge du réservoir
5. Bouchon de vidange d'huile de la pompe
6. Soupape de retenue
7. Pompe du compresseur d'air
8. Orifice de remplissage d'huile
9. Moteur de Surcharge Thermique
10. Moteur électrique
11. Conduite de décharge de la pompe
12. Carter de courroie
13. Décalque-Avertissement: Risque de blessures
14. Décalque-Avertissement: Carter de courroie en place
15. Filtre d'admission d'air
16. Ouvertures de ventilation
17. Interrupteur Moteur/Pression
18. Soupape de sûreté
19. Manomètre du réservoir d'air
20. Manomètre de sortie
21. Régulateur de pression
22. Cordon de secteur électrique

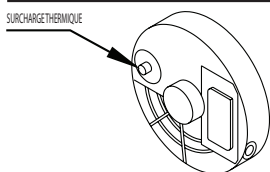


SOUPAPE DE SURETE: Cette soupape est conçue pour empêcher des pannes du système en diminuant la pression du système quand l'air comprimé atteint un niveau prédéterminé. La soupape est programmée par le fabricant et ne doit être modifiée en aucune façon. Pour vérifier que la soupape marche correctement, tirer sur l'anneau. De l'air sous pression devrait s'échapper. Quand l'anneau est relâché, il se remet en place.

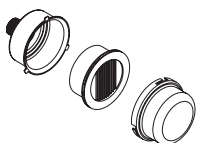
IMAGE DETAILLEE ET EXPLICATION DES COMPOSANTS DU COMPRESSEUR



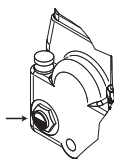
INTERRUPTEUR MOTEUR/PRESSION: Cet interrupteur est utilisé pour démarrer ou arrêter le compresseur. Mettre cet interrupteur en position de mise en marche (ON) fournira une mise sous tension automatique à l'interrupteur de pression ce qui permettra au moteur de démarrer quand la pression du réservoir d'air baissera sous "la pression d'enclenchement" établie en usine. Quand l'interrupteur est en option Marche/Arrêt, l'interrupteur arrête le moteur quand la pression du réservoir d'air atteint "la pression de coupe-circuit" établie en usine. Par raison de sécurité, cet interrupteur a aussi un détendeur de pression situé dans l'interrupteur et qui est conçu pour libérer automatiquement l'air comprimé de la tête de la pompe du compresseur et de sa conduite de décharge lorsque le compresseur atteint "la pression de coupe-circuit" ou qu'il est arrêté. Le détendeur de pression permet au moteur de redémarrer sans problème. Appuyer sur l'interrupteur pour le mettre en position d'arrêt (OFF) coupera le courant de l'interrupteur pression et arrêtera le compresseur d'air.



SURCHARGE THERMIQUE DU MOTEUR: Ce moteur électrique est muni d'un déclencheur de surcharge thermique manuel. Si le moteur surchauffe pour quelle que raison que ce soit, le déclencheur de surcharge thermique coupera automatiquement le contact afin que le moteur ne soit pas endommagé. Attendre que le moteur refroidisse avant d'appuyer sur le bouton de redémarrage de surcharge thermique et recommencer de travailler.



FILTRE D'ADMISSION D'AIR: Ce filtre est conçu pour nettoyer l'air qui entre dans la pompe. Pour assurer que la pompe reçoit en permanence un air propre, frais et sec, ce filtre doit toujours être propre et les ouvertures de ventilation libres de toute obstruction. Remplacer l'élément du filtre dès que nécessaire.

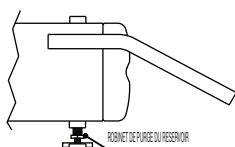


ORIFICE DE REMPLISSAGE D'HUILE: Versez de l'huile dans l'orifice de remplissage d'huile quand cela sera nécessaire.

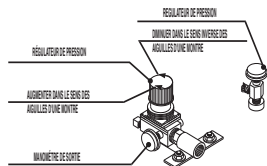
INDICATEUR DE NIVEAU D'HUILE A VUE DIRECTE: L'indicateur de niveau d'huile à vue directe indique le niveau d'huile dans la pompe. Le niveau d'huile doit être au centre de l'indicateur. Si le niveau d'huile est bas, ajouter de l'huile non détergente SAE30.

POMPE DU COMPRESSEUR D'AIR: Pour comprimer l'air, le piston se déplace de haut en bas dans le cylindre. Dans la course descendante, l'air entre dans les soupapes d'admission d'air pendant que les soupapes d'échappement d'air demeurent fermées. Dans la course ascendante, l'air est comprimé, la soupape d'admission se ferme et l'air comprimé est poussé vers les soupapes d'échappement, passe par la conduite de décharge puis, par la soupape de retenue et/ou la soupape pilote pour finalement aboutir dans le réservoir d'air.

MANOMETRE DU RESERVOIR D'AIR: Le manomètre du réservoir d'air indique la pression d'air en réserve dans le/les réservoir(s).

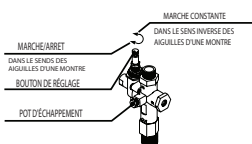


ROBINET DE PURGE DU RESERVOIR D'AIR: Le robinet de purge est utilisé pour enlever l'humidité du réservoir d'air à la fin de chaque emploi. **NE TENTER JAMAIS d'ouvrir le robinet de purge du réservoir d'air quand la pression qu'il contient dépasse 10 PSI (0.68 BAR)!** Pour ouvrir le robinet de purge, tourner le bouton dans le sens inverse des aiguilles d'une montre.



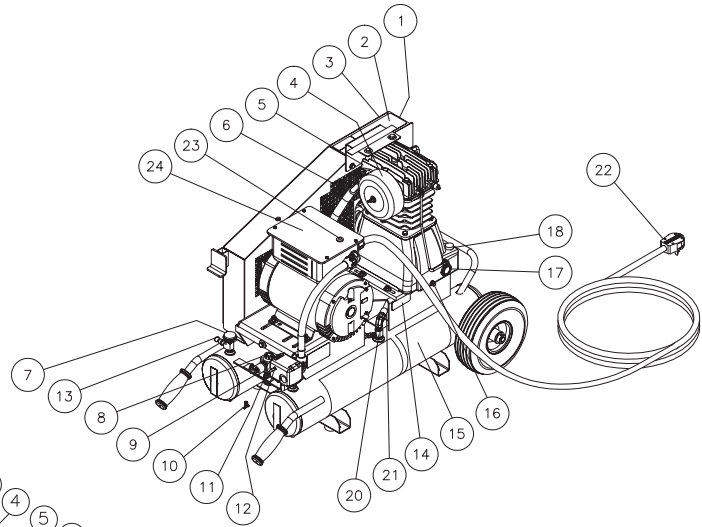
REGULATEUR DE PRESSION: La pression d'air provenant du réservoir d'air est contrôlée par le bouton du régulateur. Tourner le bouton régularisateur de pression dans le sens des aiguilles d'une montre pour augmenter la pression de décharge, et dans le sens inverse des aiguilles d'une montre pour diminuer la pression de décharge.

MANOMETRE DE SORTIE: Le manomètre de sortie indique la pression d'air disponible du côté de la sortie du régulateur. Cette pression est contrôlée par le régulateur et est toujours moindre ou égale à la pression du réservoir.



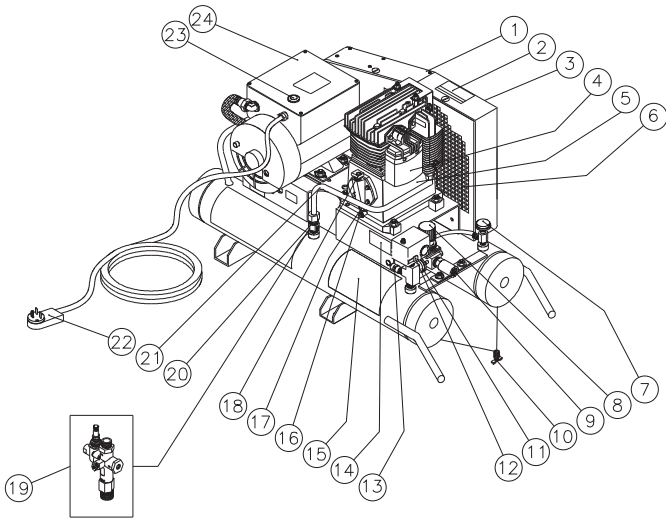
VALVE PILOTE OPTIONELLE: Quand le bouton ajusteur est tourné complètement dans le sens des aiguilles d'une montre, le compresseur marche dans la position Marche/Arrêt (Start/Stop). Quand le bouton ajusteur est tourné complètement dans le sens inverse des aiguilles d'une montre jusqu'à la position entièrement ouverte, le compresseur fonctionne en position de marche continu.

COMPOSANTS DU COMPRESSEUR D'AIR ELECTRIQUE (DOUBLE ETAGE)

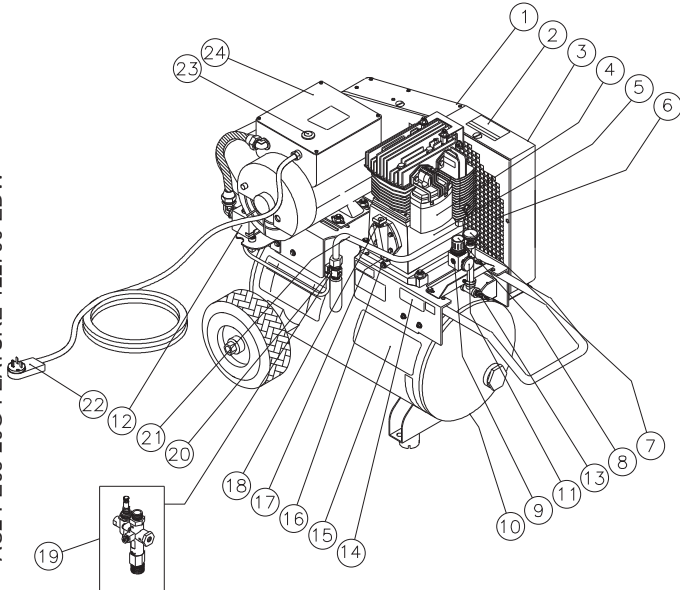


AS2-PE05-08 FEATURES-122704-DLG

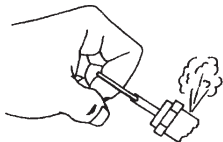
AC2-PE05-08G-FEATURE-122700-EDW



AC2-PE05-20G-FEATURE-122700-EDW

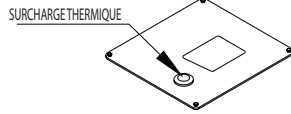


1. Carter de courroie
2. Décalque-Avertissement: Risque de blessures
3. Décalque-Avertissement: Carter de courroie en place
4. Filtre d'admission d'air
5. Pompe du compresseur d'air
6. Ouvertures de ventilation
7. Manomètre du réservoir d'air
8. Régulateur de pression
9. Adaptateur de sortie
10. Robinet(s) de purge du réservoir d'air
11. Manomètre de sortie
12. Interrupteur Moteur/Pression
13. Soupape de sûreté
14. Décalque-Avertissement: Chaud
15. Décalque-Danger/Avertissement/Attention
16. Bouchon de vidange d'huile de la pompe
18. Orifice de remplissage d'huile
19. Valve Pilote (Optionnelle)
20. Soupape de retenue
21. Conduite de décharge de la pompe
22. Cordon de secteur électrique
23. Surcharge thermique du moteur
24. Moteur électrique

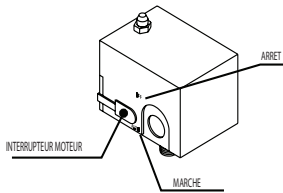


SOUPAPE DE SURETE: Cette soupape est conçue pour empêcher des pannes du système en diminuant la pression du système quand l'air comprimé atteint un niveau prédéterminé. La soupape est programmée par le fabricant et ne doit être modifiée en aucune façon. Pour vérifier que la soupape marche correctement, tirer sur l'anneau. De l'air sous pression devrait s'échapper. Quand l'anneau est relâché, il se remet en place.

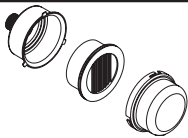
IMAGE DETAILLEE ET EXPLICATION DES COMPOSANTS DU COMPRESSEUR



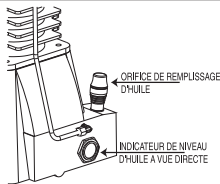
SURCHARGE THERMIQUE DU MOTEUR: Ce moteur électrique est muni d'un déclencheur de surcharge thermique manuel. Si le moteur surchauffe pour quelle que raison que ce soit, le déclencheur de surcharge thermique coupera automatiquement le contact afin que le moteur ne soit pas endommagé. Attendre que le moteur refroidisse avant d'appuyer sur le bouton de redémarrage de surcharge thermique et recommencer de travailler.



INTERRUPTEUR MOTEUR/PRESSION: Cet interrupteur est utilisé pour démarrer ou arrêter le compresseur. Mettre cet interrupteur en position de mise en marche (ON) fournira une mise sous tension automatique à l'interrupteur de pression ce qui permettra au moteur de démarrer quand la pression du réservoir d'air baissera sous "la pression d'enclenchement" établie en usine. Quand l'interrupteur est en option Marche/Arrêt, l'interrupteur arrête le moteur quand la pression du réservoir d'air atteint "la pression de coupe-circuit" établie en usine. Par raison de sécurité, cet interrupteur a aussi un détendeur de pression situé dans l'interrupteur et qui est conçu pour libérer automatiquement l'air comprimé de la tête de la pompe du compresseur et de sa conduite de décharge lorsque le compresseur atteint "la pression de coupe-circuit" ou qu'il est arrêté. Le détendeur de pression permet au moteur de redémarrer sans problème. Appuyer sur l'interrupteur pour le mettre en position d'arrêt (OFF) coupera le courant de l'interrupteur pression et arrêtera le compresseur d'air.



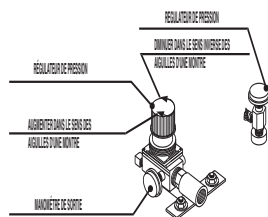
FILTRE D'ADMISSION D'AIR: Ce filtre est conçu pour nettoyer l'air qui entre dans la pompe. Pour assurer que la pompe reçoit en permanence un air propre, frais et sec, ce filtre doit toujours être propre et les ouvertures de ventilation libres de toute obstruction. L'élément du filtre peut être enlevé et nettoyé avec de l'eau chaude et savonneuse. Rincer et laisser sécher à l'air. Remplacer l'élément du filtre dès que nécessaire.



ORIFICE DE REMPLISSAGE D'HUILE: Versez de l'huile dans l'orifice de remplissage d'huile quand cela sera nécessaire.

INDICATEUR DE NIVEAU D'HUILE A VUE DIRECTE: L'indicateur de niveau d'huile à vue directe indique le niveau d'huile dans la pompe. Le niveau d'huile doit être au centre de l'indicateur. Si le niveau d'huile est bas, ajouter de l'huile non détergente SAE30.

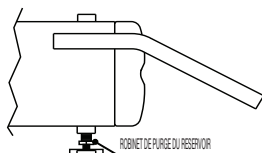
POMPE DU COMPRESSEUR D'AIR: Une pompe de compresseur à deux étages utilise deux cylindres de tailles différentes avec les soupapes d'admission du second cylindre reliées à la soupape d'échappement du premier cylindre (plus gros). Quand le piston du plus gros cylindre descend, l'air est injecté par la soupape d'admission tandis que la soupape d'échappement reste fermée. Quand le piston remonte, l'air est comprimé, la soupape d'admission se ferme et l'air comprimé est éjecté par la soupape d'échappement jusque dans le radiateur (inter cooler), puis par la valve d'admission du second cylindre (plus petit) au moment où son piston descend. Quand le piston du plus petit cylindre remonte, la valve d'admission se ferme et l'air comprimé est comprimé une seconde fois avant d'être éjecté par la soupape d'échappement dans la conduite de décharge, puis arrive à la soupape de retenue du réservoir pour finalement aboutir dans le réservoir.



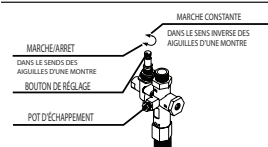
MANOMETRE DU RESERVOIR D'AIR: Le manomètre du réservoir d'air indique la pression d'air en réserve dans le/les réservoir(s).

REGULATEUR DE PRESSION: La pression d'air provenant du réservoir d'air est contrôlée par le bouton du régulateur. Tourner le bouton régularisateur de pression dans le sens inverse des aiguilles d'une montre pour diminuer la pression de décharge, et dans le sens des aiguilles d'une montre pour augmenter la pression de décharge. (Réelles pression délivrée peut varier d'une pression nominale maximale de la pompe).

MANOMETRE DE SORTIE: Le manomètre de sortie indique la pression d'air disponible du côté de la sortie du régulateur. Cette pression est contrôlée par le régulateur et est toujours moindre ou égale à la pression du réservoir.



ROBINET DE PURGE DU RESERVOIR D'AIR: Le robinet de purge est utilisé pour enlever l'humidité du réservoir d'air à la fin de chaque emploi. **NE JAMAIS essayer d'ouvrir le robinet de purge quand plus de 10 PSI (0.68 bar) de pression d'air est dans le réservoir d'air!** Pour ouvrir le robinet de purge, tourner le bouton dans le sens inverse des aiguilles d'une montre. Faire en sorte que le compresseur soit dans une position qui permet à toute la condensation de s'écouler.



VALVE PILOTE OPTIONELLE: Quand le bouton de réglage est tourné complètement dans le sens des aiguilles d'une montre, le compresseur marche dans la position Marche/Arrêt (Start/Stop). Quand le bouton de réglage est tourné complètement dans le sens inverse des aiguilles d'une montre jusqu'à la position entièrement ouverte, le compresseur fonctionne en position de marche continu.

AVERTISSEMENT

**LES PAGES SUIVANTES CONTIENNENT LES
CONSIGNES D'UTILISATION ET D'ENTRETIEN.**

**NE TENTER PAS DE FAIRE FONCTIONNER CE
COMPRESSEUR D'AIR AVANT D'AVOIR LU ET
COMPRIS TOUTES LES PRECAUTIONS ET
CONSIGNES DE SECURITE CONTENUES DANS
CE MANUEL.**

**L'UTILISATION INAPPROPRIEE DE CET
APPAREIL PEUT CAUSER DES BLESSURES
SERIEUSES!!**

**NE PAS ALTERER OU MODIFIER CET
EQUIPEMENT EN AUCUNE MANIERE!**

INSTRUCTIONS DE PREPARATION

AVERTISSEMENT

RISQUE D'EXPLOSION OU D'INCENDIE ENTRAINANT DES BLESSURES GRAVES OU LA MORT! Ne pas permettre au moteur ou à l'interrupteur Moteur/Pression d'entrer en contact avec des vapeurs inflammables, des gaz, de la poussière ou autres matériaux combustibles. Une étincelle pourrait entraîner un incendie.

Quand le compresseur sert à pulvériser de la peinture, le placer aussi loin que possible du champ de travail, en utilisant des manches à air en plus au lieu de rallonges.

INSTALLATION INITIALE:

1. Lire les consignes de sécurité avant d'installer le compresseur.
2. S'assurer que le niveau d'huile dans la pompe du compresseur est suffisant. Si il est bas, ajouter de l'huile non-détergène SAE-30W.

EMPLACEMENT:

1. Pour éviter d'abîmer le compresseur, ne pas l'incliner transversalement ou longitudinalement plus de 10°.
2. Placer le compresseur à une distance d'au moins 12 pouces (0.30M) de tout obstacle qui pourrait empêcher une bonne ventilation. Ne pas placer le compresseur dans un endroit:
 - où il y a des traces d'huile ou de carburant.
 - où des vapeurs ou des substances de gaz inflammable peuvent être présentes.
 - où la température de l'air tombe en-dessous de 32°F (0°C) ou dépasse 104°F (40°C).
 - où de l'air ou eau très sales pourraient s'infiltrer dans le compresseur.

DANGER RISQUE D'ÉLECTROCUTION !

Le raccordement inexact du conducteur équipement-fondant peut avoir comme conséquence un risque de choc ou d'électrocution. Vérifiez avec un électricien ou un personnel de service qualifié si vous êtes dans le doute de savoir si la sortie est correctement fondue. Ce produit est usiné équipée d'une corde électrique et d'une prise spécifiques basées sur les unités tension et l'estimation d'ampérage. C'est pour le raccordement à un circuit électrique approprié. Reliez seulement le produit à une sortie ayant la même configuration que la prise. N'utilisez pas un adaptateur avec ce produit. Si le produit doit être rebranché pour l'usage sur un type différent de circuit électrique, la reconnexion sera faite par le personnel de service qualifié. Si la réparation ou le remplacement de la corde ou de la prise est nécessaire, ne reliez pas le fil de masse à l'une ou l'autre borne plate de lame. Le fil avec l'isolation ayant une surface externe qui est verte avec ou sans les raies jaunes est le fil de masse.

ELECTRIQUE:

1. L'UTILISATION D'UNE RALLONGE ELECTRIQUE N'EST PAS RECOMMANDEE car cette dernière pourrait être la cause d'un surchauffage du moteur du compresseur. Il est préférable d'utiliser un tuyau d'air supplémentaire à la place d'une rallonge électrique.
2. Si l'utilisation d'une rallonge électrique est inévitable, soyez certain d'en utiliser une assez grosse pour transporter le courant tiré par votre compresseur. Le calibre minimum des rallonges est le suivant:

Ampère Estimation Gamme	Tension	Longueur de corde en pieds					
	120V	7.62 mm	15.24mm	30.48 mm	45.72 mm	60.96m	76.2 mm
	240V	15.24 mm	30.48 mm	60.96 mm	91.44 mm	121.92 mm	152.4 mm
8 - 10	18	14	12	10	8	8	8
10 - 12	16	14	10	8	8	6	6
12 - 14	16	12	10	8	6	6	6
14 - 16	16	12	10	8	6	6	6
16 - 18	14	12	8	8	6	4	4
18 - 20	14	12	8	6	6	4	4

3. N'utiliser qu'une rallonge électrique trifilaire qui possède une fiche à trois lames avec mise à la terre et une prise à trois fentes qui accepte la fiche de la rallonge.
4. Examiner les rallonges avant l'usage. Ne pas se servir du compresseur si ses cordons sont abîmés. Ne pas se servir d'une rallonge électrique abîmée.
5. Tenir les fils électriques et rallonges à l'écart de la chaleur et des bords coupants. Ne tirer sur aucun fil pour débrancher une prise -- empoigner la prise.
6. Eteindre toujours l'interrupteur de pression du compresseur avant de débrancher le compresseur.



**AVERTISSEMENT
RISQUE DE
DECHARGE ELECTRIQUE!**

Ce produit doit être raccordé à la terre. Si un court circuit ou une panne devaient survenir, la masse fournit un circuit de résistance moindre pour le courant électrique afin de réduire le risque de décharge. Ce produit est équipé d'un fil électrique ayant un conducteur pour la terre et une prise de masse. La prise doit être branchée à une sortie appropriée qui est correctement installée et reliée à la terre selon tous les codes et dispositions en vigueur locaux.



**AVERTISSEMENT
RISQUE DE BLESSURES
CORPORELLES!
NE TENTER JAMAIS d'ouvrir
le robinet de purge du réservoir
d'air quand la pression
qu'il contient dépasse 10 PSI
(0.68 BAR)!**

INSTRUCTIONS DE PREPARATION

POINTS DE CONTROLE AVANT DEMARRAGE:

1. Vérifier le niveau d'huile. Ajouter de l'huile si nécessaire.
2. Enlever toute humidité du réservoir d'air du compresseur. **NE TENTER JAMAIS d'ouvrir le robinet de purge du réservoir d'air quand la pression qu'il contient dépasse 10 PSI (0.68 BAR)!** Enlever la pression excessive avec un outil pneumatique, puis, ouvrir le robinet de purge du réservoir d'air situé en bas du réservoir d'air. Bien fermer une fois vidé.
3. S'assurer que l'interrupteur Moteur/Pression est dans la position "OFF".
4. S'assurer que la soupape de sûreté marche correctement.
5. S'assurer que toutes les gardes et caches de protection sont en place et sont solidement assemblées.

INSTRUCTIONS DE FONCTIONNEMENT

DEMARRAGE:

1. Lire les avertissements de sécurité avant de mettre le compresseur en marche.
2. Assurez-vous que l'interrupteur Moteur/Pression est en position "OFF"(Arrêt).
3. Brancher le cordon de secteur à une prise mise à la terre.
4. Tirer l'interrupteur Moteur/Pression vers le haut jusqu'à la position "AUTO".

POUR DES UNITÉS ÉQUIPÉES DE LA COMMANDE DUELLE: Repérer le bouton de réglage en haut de la soupape pilote.

-Tourner-le complètement dans le sens des aiguilles d'une montre jusqu'à la position entièrement fermée. Cela permettra au compresseur de commencer à accumuler de la pression dans les réservoirs d'air et d'arrêter quand la bonne pression sera atteinte. Quand la pression tombe avec usage, le compresseur recommencera à accumuler de la pression.

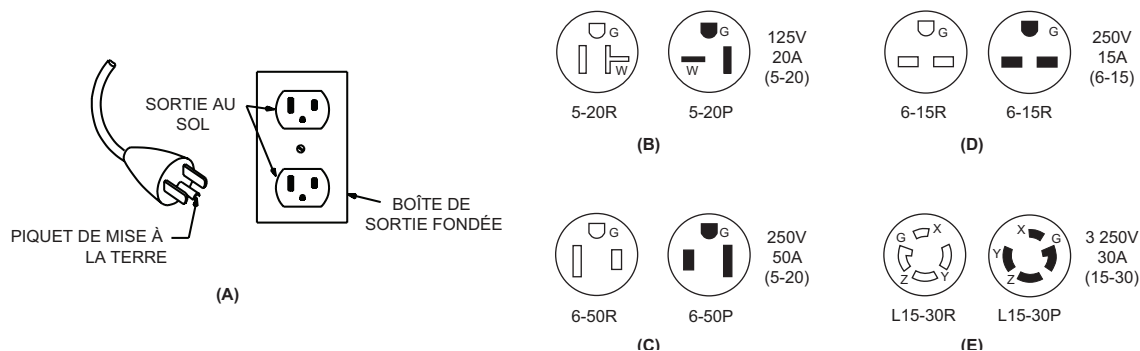
-Tourner-le complètement dans le sens inverse des aiguilles d'une montre jusqu'à la position entièrement ouverte. Le compresseur est maintenant mis en place pour course sans interruption. Quand la pression atteindra le niveau établi en usine, elle s'écoulera par la soupape pilote avec le moteur fonctionnant toujours.

5. Régler la pression en tournant le régulateur de pression dans le sens inverse des aiguilles d'une montre pour diminuer la pression et dans le sens des aiguilles d'une montre pour augmenter la pression.
6. Si vous remarquez des bruits insolites ou des vibrations, arrêtez le compresseur et consultez la partie "Dépannage".

ARRET:

1. Pour arrêter le compresseur, pousser l'interrupteur Moteur/Pression jusqu'à la position "OFF" (Arrêt). Ne jamais arrêter le compresseur en le débranchant de la source de courant. Un risque d'électrocution en serait la conséquence.
2. Vider l'air des réservoirs d'air en relâchant l'air avec un outil pneumatique attaché ou en tirant sur la soupape de sûreté.
3. Un fois que le manomètre du réservoir d'air enregistre moins de 10 livres (4.5 KG), ouvrir le robinet de purge du réservoir d'air sous chaque réservoir d'air pour laisser échapper toute humidité.
4. Permettre au compresseur de refroidir.
5. Essuyez le compresseur d'air et le magasin dans un secteur sûr et non-gelant avec la corde à lové vers le haut et protégé contre des dommages accidentels.

EXEMPLES DES FICHES POSSIBLES DE CORDE ET DE LA DOUILLE CORRESPONDANTE



INSTRUCTIONS D'ENTRETIEN

Lire le manuel d'instruction avant d'entretenir le compresseur. Les procédures suivantes doivent être effectuées lors de l'arrêt de la machine pour l'entretien ou la réparation:

1. Arrêter le compresseur d'air.
2. Débrancher le cordon de secteur de la source de courant.
3. Ouvrir tous les orifices de vidange.
4. Attendre que le compresseur refroidisse avant de l'entretenir.

AC Ele. Maintenance Chart French

TABLEAU D'ENTRETIEN				
PROCÉDURES	TOUS LES JOURS	TOUTES LES SEMAINES	TOUS LES MOIS	TOUTES LES 200 HEURES
Vérifier le niveau d'huile de la ompe	X			
Insection de fuite d'huile	X			
Evacuer la condensation de/des réservoir (s) d'air	X			
Inspection des gardes et caches de protection	X			
Vérifier si il y a des bruits insolites ou des vibrations	X			
Rechercher d'éventuelles fuites d'air	X			
Nettoyer l'extérieur du compresseur		X		
Inspecter le filter à air		X		
Inspecter la courroie			X	
Vérifier la soupape de sûreté			X	
Changer l'huile de pompe*				X
Remplacer le filtre à air				X

AVERTISSEMENT
RISQUE DE BLESSURES
CORPORELLES!
 NE PARTEZ PAS DU PRINCIPLE QU'IL EST SANS RISQUES D'EFFECTUER UN TRAVAIL SUR LE COMPRESSEUR ALORS QU'IL EST A L'ARRET! IL POURRAIT SE REMETTRE EN MARCHÉ A TOUT MOMENT!

*L'huile de pompe doit être changée après les premières 50 heures d'opération et toutes les 200 heures ou 3 mois, selon la limite qui est atteinte en premier. Tous les 2 ans, un technicien de service autorisé doit vérifier la soupape de retenue, les soupapes d'approvisionnement et les soupapes de distribution.

DEPANNAGE

SYMPTOME	CAUSE PROBABLE	REMEDE
Le compresseur ne veut pas démarrer.	Le cordon de secteur n'est pas branché.	Brancher le cordon de secteur dans une prise mise à la terre.
	Interrupteur Moteur/Pression n'est pas en position "ON".	Tirer l'interrupteur Moteur/Pression jusqu'à la position "ON".
	Déclencheur de surcharge thermique du moteur activé.	Eteindre l'appareil, attendre 5 minutes, puis appuyer sur l'interrupteur de Surcharge Thermique du moteur jusqu'à ce que vous entendiez un déclic.
	Disjoncteur déclenché ou fusible grillé dans la boîte à fusibles.	Réarmer le disjoncteur ou remplacer le fusible en utilisant seulement un fusible de "Fusetron" genre T.
		Vérifier que la tension n'est pas trop faible.
		Débrancher tous les autres appareils sur le circuit ou utiliser le compresseur sur son propre circuit.
Manque d'huile dans le compresseur.		Ajouter de l'huile. (Voir page 29 ou 31)
La rallonge électrique est trop petite.		Se servir d'un tuyau d'air supplémentaire à la place d'une rallonge, ou utiliser le bon calibre et la bonne longueur de rallonge. (Voir page 32)
Le voltage du moteur n'est pas égal à la source d'énergie.		Contactez votre Mi-T-M® service clientèle.
La pression du réservoir d'air a atteint le niveau de pression maximum ou "arrêt" (Stop) de l'interrupteur Moteur/Pression.		Quand la valve pilote est placée en position Marche/Arrêt (Start/Stop), le moteur démarrera automatiquement quand la pression du réservoir d'air redescendra au niveau de "pression d'enclenchement" ou la pression "Start" de l'interrupteur Moteur/Pression.
La soupape de sûreté de pression sur l'interrupteur Moteur/Pression bloquée en position ouverte ne peut libérer la pression de la tête.		Purger la ligne en mettant l'interrupteur Moteur/Pression en position "Arrêt" (OFF).
Le clapet de retenue de la valve pilote est bloqué en position ouverte.		Enlever et nettoyer ou remplacer.
Moteur ou interrupteur Moteur/Pression défectueux.		Contactez votre service clientèle.

DEPANNAGE

SYMPTOME	CAUSE PROBABLE	REMEDE
Le compresseur d'air ne démarre pas, mais le moteur ronronne puis s'arrête.	Rallonge électrique trop courte.	Se servir d'un tuyau supplémentaire à la place d'une rallonge, ou utiliser le bon calibre et la bonne longueur de rallonge. (Voir page 32)
	Mauvais contact.	Contacteur un électricien qualifié.
	Mauvaise ventilation.	Mettre l'appareil dans un endroit bien aéré.
	Poids d'huile trop lourd.	Se servir d'huile moins lourde. (Voir page 29 ou 31)
	Trop d'appareils marchent sur le même circuit.	Se servir d'un autre circuit ou enlever les appareils en trop du circuit.
	Tension incorrecte, ou disjoncteur, fusible ou moteur de la mauvaise taille.	Contacteur un électricien qualifié.
	Soupape de retenue ou interrupteur Moteur/Pression défectueux.	Remplacer.
Le compresseur ne s'arrête pas bien que la pression maximale permise soit atteinte.	Interrupteur Moteur/Pression ne fonctionne pas correctement.	Remplacer.
Fonctionnement bruyant	Poulie du moteur ou volant de la pompe desserrées.	Resserrer la poulie et/ou le volant.
	Manque d'huile dans la pompe.	Ajouter une quantité correcte d'huile. Vérifier si il y a des dommages aux paliers.
	Dépôts de carbone sur les pistons ou les soupapes.	Enlever la tête du cylindre et l'inspecter. Nettoyer ou remplacer le siège de la soupape.
	Panne des paliers, pistons ou ensemble de bielle.	ARRETER LE COMPRESSEUR! Contacteur votre Mi-T-M® service clientèle.

DEPANNAGE

SYMPTOME	CAUSE PROBABLE	REMEDE
Perte de pression dans le réservoir d'air ou perte de pression rapide quand le compresseur est mis à l'arrêt.	Fuite d'air aux raccords.	Laisser le compresseur accumuler le maximum de pression permise. Eteindre et passer un coup de brosse à l'eau savonneuse sur tous les raccords. Rechercher d'éventuelles bulles d'air aux raccords. Resserrer les raccords là où se trouvent les fuites.
	Soupape de retenue ou valve pilote défectueuses.	Enlever, nettoyer ou remplacer.
	Fuite d'air dans le réservoir.	Le réservoir d'air doit être remplacé. N'essayer pas de réparer le réservoir.
Pression insuffisante pour faire fonctionner les outils pneumatiques ou les accessoires.	Fuites d'air ou restrictions d'air.	Rechercher les fuites et réparer.
	Filtre d'admission d'air bouché.	Nettoyer ou remplacer le filtre.
	Les tuyaux ou raccords de tuyau sont trop petits ou longs.	Remplacer par des tuyaux ou des raccords plus gros.
	Le compresseur n'est pas assez gros pour les exigences d'air.	Servez-vous soit d'un outil plus petit ou d'un compresseur plus grand.
	Le régulateur de pression n'est pas ajusté à une pression assez haute ou est défectueux.	Régler le régulateur au bon niveau ou remplacer-le.
	La courroie glisse.	Resserrer ou remplacer la courroie.
Fuite d'air à la soupape de sûreté.	Valve pilote obstruée.	Nettoyer ou remplacer.
	Possibilité d'une soupape de sûreté défectueuse.	Faire fonctionner la soupape de sûreté manuellement en tirant sur l'anneau. Si elle fuit toujours, elle devrait être remplacée.
Fuite d'air à la pompe.	Pression excessive du réservoir d'air.	Remplacer l'interrupteur Moteur/Pression. Nettoyer, réinitialiser ou remplacer la soupape pilote.
	Joint défectueux.	Couple de serrage des boulons: Etage unique= 17 ft./lbs (23N.m). Double Etage= 33 ft./lbs (45N.m).
De l'air continue de fuir au niveau de l'interrupteur Moteur/Pression lorsque le moteur marche.	Interrupteur Moteur/Pression défectueux.	Remplacer.
Soufflement d'air provenant du filtre d'admission d'air.	Soupape (reed) d'admission défectueuse.	Remplacer.

DEPANNAGE

SYMPTOME	CAUSE PROBABLE	REMEDE
Le moteur marche sans arrêt quand il est en position "Marche/ Arrêt" (Start/Stop).	L'interrupteur moteur/pression ne coupe pas le moteur quand le compresseur atteint "la pression de coupe-circuit" et la soupape de sûreté s'active.	Mettre l'interrupteur Moteur/Pression en position d'arrêt (OFF). Si le moteur ne s'arrête pas, débrancher le compresseur. Si les contacts électriques sont soudés ensemble, remplacer l'interrupteur de pression.
	Le compresseur est de la mauvaise taille.	Limiter la pression d'air proportionnellement à la capacité du compresseur. Servez-vous soit d'un outil plus petit ou d'un compresseur plus grand.
Humidité dans l'air de décharge.	Condensation dans le réservoir causée par un haut niveau d'humidité atmosphérique.	Faire marcher le compresseur pendant un minimum d'une heure pour éviter une accumulation de condensation. Purger le réservoir après chaque utilisation et encore plus souvent quand le temps est humide et se servir d'un filtre à air dans le tuyau.
Consommation excessive d'huile ou huile dans le tuyau.	Filtre d'admission d'air obstrué.	Nettoyer ou remplacer.
	Le compresseur n'est pas sur une surface plane.	Ne pas incliner le compresseur plus de 10° dans aucune direction pendant qu'il fonctionne.
	Le carter déborde d'huile.	Purger l'huile. Remplir jusqu'au bon niveau avec de l'huile non-détersive SAE-30W.
	Mauvaise viscosité.	Purger l'huile. Remplir jusqu'au bon niveau avec de l'huile non-détersive SAE-30W.
	Orifice de la jauge d'huile bouché.	Nettoyer.
	L'huile fuit.	Resserrer les boulons de pompe à un serrage de couple comme indiqué dans le manuel des pièces de rechange, ou remplacer les joints.
	Segments usés ou cylindre rayé.	Contactez votre Mi-T-M® service de clientèle.
L'huile a un aspect laiteux.	Présence d'huile dans l'eau attribuable à la condensation.	Changer l'huile et mettre le compresseur dans un environnement moins humide.
L'appareil fonctionne à l'envers.	Circuit électrique est inversé.	Contactez un électricien qualifié.



BON DE GARANTIE

Le fabricant garantit toutes les pièces (à l'exception de celles stipulées ci-dessous) de votre nouveau compresseur d'air en cas de défauts de matériaux et de fabrication pendant les périodes suivantes:

Pendant deux (2) année à partir de la date d'achat initiale:

Pompe du compresseur Tuyauterie
Assemblage du réservoir

Pendant de six (6) mois à partir de la date d'achat initiale:

Interrupteur de pression Régulateurs
Soupape de retenue Valve Pilote
Conduite de en cuivre/inoxydable

Pendant quatre vingt dix (90) jours à partir de la date d'achat initiale:

Manomètres Soupapes de sûreté
Soupapes de vidange

Les pièces défectueuses non sujettes à l'usure normale seront réparées ou remplacées à notre choix pendant la période de garantie. Quoi qu'il arrive, le remboursement est limité au prix d'achat.

EXCLUSIONS

1. Le moteur est couvert sous une garantie séparée par son fabricant respectif et est sujet aux conditions mises en place à cet égard.
2. Usure normale des pièces:
Isolateurs Filtre à air
3. Cette garantie ne couvre pas les pièces endommagées par l'usure normale, des conditions anormales, une application erronée, une mauvaise utilisation, un accident, un fonctionnement autre qu'aux tensions, pressions et températures recommandées, un stockage inapproprié ou des dégâts de transport. Les pièces endommagées ou usées par le fonctionnement dans des environnements poussiéreux ne sont pas garanties. La garantie ne couvre pas les dégâts provoqués par un mauvais suivi des procédures de fonctionnement et d'entretien.
4. Les coûts de main d'oeuvre, pertes ou dommages résultant d'une mauvaise utilisation, l'entretien (autre que la vidange routine du réservoir d'air et les changements d'huile si applicable) ou les réparations faites par des personnes autre qu'un centre de service agréé du fabricant.
5. L'utilisation de toute pièce autre que des pièces de réparation authentiques de votre concessionnaire agréé annulera la garantie. Les pièces renvoyées en port payé, à notre usine ou à un centre de service agréé seront inspectées et remplacées gratuitement si elles sont jugées défectueuses après estimation, et couvertes par la garantie. Le fabricant n'est en aucun cas responsable de la perte d'utilisation de l'appareil, du temps perdu ou de la perte de location de l'appareil, des ennuis, des pertes commerciales ou des dommages indirects. Il n'existe aucune garantie prolongeant les dates d'expiration stipulées ci-dessus.

Pour service ou considération de garantie, contacter
Mi-T-M® Corporation, 8650 Enterprise Drive, Peosta, IA 52068
563-556-7484 / 800-553-9053 / Fax 563-556-1235
du lundi au vendredi de 8h00 à 17h00, CST(heure centrale)

NOTE

TABLA DE MATERIAS

INTRODUCCION.....	43
IMPORTANTE	43
INSPECCIONE.....	43
ADVERTENCIAS IMPORTANTES DE SEGURIDAD.....	44-47
RIESGO DE DESCARGAS ELÉCTRICAS O ELECTROCUCIÓN.....	44
RIESGO DE EXPLOSIÓN DE INCENDIO.....	45
RIESGO DE ESTALLIDO.....	45
RIESGO A LA RESPIRACIÓN.....	46
RIESGO DE QUEMADURAS	46
RIESGO DE OBJETOS VOLANTES	46
RIESGO DE PARTES EN MOVIMIENTO.....	47
RIESGO DE NEGLIGENCIA.....	47
RIESGO DE AVERÍAS DEL COMPRESOR DE AIRE.....	47
ILUSTRACIONES DE LOS ELEMENTOS Y COMPONENTES	48 & 50
REPASO DE LOS ELEMENTOS Y COMPONENTES	49 & 51
INSTRUCCIONES DE PREPARACIÓN	53
PREPARACIÓN	53
COLOCACIÓN	53
CONEXIONES ELÉCTRICAS	53
CONTROLES ANTES DEL ARRANQUE.....	53
INSTRUCCIONES DE OPERACIÓN	54
OPERACIÓN.....	54
APAGAMIENTO	54
MANTENIMIENTO	55
LOCALIZACIÓN Y CORRECCIÓN DE FALLAS.....	56-58
DECLARACIÓN DE GARANTÍA.....	59

WARNING

ADVERTENCIA: Este producto tiene plomo, una sustancia química conocida al Estado de California a causar cáncer y defectos de nacimiento u otro daño reproductivo.

Lávese las manos después de usar este producto.

ADVERTENCIA

Este producto contiene química conocida por el estado de California a causar cancer, defectos de nacimiento, y otros peligros reproductor.

INTRODUCCION

¡Felicitaciones por la compra de su nueva compresor de aire eléctrico! Puede estar seguro que su compresor de aire eléctrico fue construida con el nivel más. Cada componente ha sido probado rigurosamente por técnicos para asegurar la calidad, la resistencia y el rendimiento de esta unidad.

Este manual del operador fue compilado para su beneficio. Leyendo y siguiendo los pasos simples de seguridad, instalación, operación, mantenimiento y localización de fallas descritos en este manual ayudará a prolongar aun más la operación libre de fallas que usted puede esperar de su compresor de aire eléctrico. El contenido de este manual está basado en la información actualizada disponible al momento de la publicación. Mi-T-M® se reserva el derecho de efectuar cambios en precio, color, materiales, equipo, especificaciones o modelos en cualquier momento sin previo aviso.

¡IMPORTANTE!

Estos párrafos están rodeados por una “CASILLA DE ALERTA DE SEGURIDAD”. Esta casilla se usa par designar y enfatizar las Advertencias de Seguridad que deben seguirse al operar esta lavadora a presión. Acompañando a las Advertencias de Seguridad están las “palabras de alerta” que designan el grado o nivel de seriedad de riesgo. Las “palabras de alerta” usadas en este manual son las siguientes:

PELIGRO: Indica una situación inminente riesgosa la cual, si no se evita, **RESULTARA** en la muerte o en lesiones graves.

ADVERTENCIA: Indica una situación potencialmente riesgosa la cual, si no se evita, **PODRIA** resultar en la muerte o en lesiones graves.

PRECAUCION: Indica una situación potencialmente riesgosa la cual, si no se evita **PUEDE** resultar en lesiones menores o moderadas.



El símbolo indicado a la izquierda de este párrafo es el “Símbolo de Alerta de Seguridad”. Este símbolo se usa para alertarlo acerca de artículos o procedimientos que podrían ser peligrosos para usted u otras personas usando este equipo.

PROVEA SIEMPRE UNA COPIA DE ESTE MANUAL A CUALQUIER PERSONA QUE USE ESTE EQUIPO. LEA TODAS LAS INSTRUCCIONES ANTES DE OPERAR ESTA LAVADORA A PRESION, OBSERVANDO EN PARTICULAR LAS “ADVERTENCIAS DE SEGURIDAD” PARA EVITAR LA POSIBILIDAD DE LESIONES PERSONALES AL OPERADOR.

Escriba el número de serie de su unidad en el espacio provisto abajo, una vez que la unidad haya sido desempacada.

NUMERO DE SERIE _____

Inspeccione por daño el contenido de la caja. Si algo parece dañado, NO LA DEVUELVA AL LUGAR DE COMPRA. Llame a su representante de servicio al cliente de al 800-553-9053.

Por favor tenga disponible la información siguiente para todas las llamadas de servicio:

1. Número de modelo
2. Número de serie
3. Fecha y lugar de compra


Mi-T-M® Corporation
8650 Enterprise Drive
Peosta, IA 52068-0050



ADVERTENCIAS IMPORTANTES DE SEGURIDAD



ADVERTENCIA: Al usar este producto, deben observarse ciertas precauciones básicas, como las siguientes:
LEA TODAS LAS ADVERTENCIAS DE SEGURIDAD ANTES DE USAR LA COMPRESOR DE AIRE.



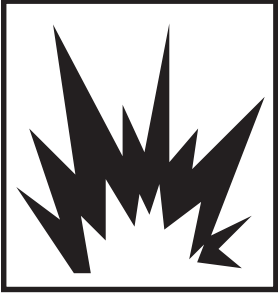
PELIGRO	POSIBLE CONSECUENCIA	PREVENCIÓN
<p data-bbox="175 327 505 422">RIESGO DE DESCARGAS ELÉCTRICAS O ELECTROCUCIÓN</p> 	<p data-bbox="565 327 959 611">Una incorrecta conexión a tierra del compresor de aire puede causar lesiones graves o incluso la muerte. Su compresor de aire es alimentado por corriente eléctrica que puede causar descargas eléctricas o electrocución, si no se usa correctamente.</p> <p data-bbox="565 646 959 741">Las descargas eléctricas pueden ocurrir a través de los cables eléctricos.</p> <p data-bbox="565 1121 959 1215">Las descargas eléctricas pueden ocurrir si no se usa correctamente el compresor de aire.</p> <p data-bbox="565 1377 959 1535">Reparaciones de partes eléctricas realizadas por personal incapacitado puede causar lesiones graves o incluso la muerte.</p>	<p data-bbox="992 327 1425 474">Asegurarse que el compresor de aire esté conectado a una toma con conexión a tierra, del voltaje correcto y con la adecuada protección de fusible.</p> <p data-bbox="992 642 1425 737">Antes del uso sustituir cualquier cable dañado. Mantener todas las conexiones secas y lejanas del piso.</p> <p data-bbox="992 768 1425 957">No permitir que los cables eléctricos permanezcan dentro del agua o en cualquier posición en la cual el agua pueda entrar en contacto con los mismos. No tocar las tomas de corriente con las manos mojadas.</p> <p data-bbox="992 989 1425 1083">No tirar de los cables eléctricos para desconectarlos de la toma de corriente.</p> <p data-bbox="992 1115 1425 1209">No usar el compresor de aire en ambientes mojados o al aire libre cuando esté lloviendo.</p> <p data-bbox="992 1241 1425 1335">No usar el compresor de aire sin las protecciones de seguridad/ coberturas o si éstas están dañadas.</p> <p data-bbox="992 1367 1425 1556">Cualquier operación de cableado o reparación eléctrica en este compresor de aire debe ser realizado por personal autorizado, conforme a las normas eléctricas locales y nacionales.</p> <p data-bbox="992 1587 1425 1934">Antes de abrir cualquier protección eléctrica, apagar siempre el compresor, descargar la presión y desconectar el compresor de aire del suministro de corriente. Esperar hasta que el compresor de aire esté frío. No suponga jamás que el compresor de aire no representa un peligro sólo porque no está funcionando. Podría arrancar en cualquier momento!</p>



ADVERTENCIAS IMPORTANTES DE SEGURIDAD



LEA TODAS LAS ADVERTENCIAS DE SEGURIDAD ANTES DE USAR LA COMPRESOR DE AIRE.

PELIGRO	POSIBLE CONSECUENCIA	PREVENCIÓN
<p>RIESGO DE EXPLOSIÓN O DE INCENDIO</p>  	<p>Normales chispas eléctricas del motor y del interruptor de presión pueden causar lesiones graves e incluso la muerte.</p> <p>La obstrucción de cualquier abertura de ventilación del compresor de aire podría causar el recalentamiento y el incendio del mismo, con el peligro de ocasionar lesiones graves o la muerte.</p>	<p>El compresor de aire debe funcionar siempre en un ambiente ventilado, libre de vapores inflamables y polvos, gases u otros materiales combustibles.</p> <p>No fume cuando está rociando material inflamable. Si se pulverizan materiales inflamables, colocar el compresor de aire a una distancia mínima de 20 pies del área de pulverización. (Podría ser necesario un tubo adicional).</p> <p>No colocar jamás objetos contra o sobre el compresor de aire. El compresor de aire debe funcionar a una distancia mínima de 12 pulgadas de la pared o de cualquier obstáculo que limite la correcta ventilación del mismo.</p>
<p>RIESGO DE ESTALLIDO</p> 	<p>Si no se respeta el mantenimiento adecuado el depósito de aire podría estallar y causar lesiones graves o la muerte.</p> <p>El funcionamiento incorrecto del compresor o, en el caso en que se empleen componentes o accesorios inadecuados, el estallido de sus accesorios podría causar lesiones graves o la muerte.</p>	<p>Vaciar el depósito de aire todos los días o al final de cada uso, para evitar que se acumule la condensación.</p> <p>Si el depósito de aire tiene una fuga, sustituirlo inmediatamente. No reparar, soldar o modificar jamás el depósito de aire o sus accesorios. Usar sólo piezas originales para el compresor de aire.</p> <p>No modificar jamás las presiones ajustadas en al fábrica.</p> <p>No superar jamás las presiones máximas permitidas de los accesorios, recomendadas por el fabricante.</p> <p>Debido al excesivo calor, no usar tubos de plástico o uniones con soldaduras de plomo en la línea de descarga.</p> <p>No usar jamás un compresor de aire para inflar objetos pequeños o que requieren poca presión como los juguetes.</p>



ADVERTENCIAS IMPORTANTES DE SEGURIDAD



LEA TODAS LAS ADVERTENCIAS DE SEGURIDAD ANTES DE USAR LA COMPRESOR DE AIRE.


PELIGRO	POSIBLE CONSECUENCIA	PREVENCIÓN
<p>RIESGOS A LA RESPIRACIÓN</p> 	<p>La inhalación de aire comprimido puede causar lesiones graves e incluso la muerte. El chorro de aire podría contener monóxido de carbono, vapores tóxicos o partículas sólidas.</p> <p>Materiales pulverizados como pinturas, solventes para pinturas, desbarnizadores, insecticidas, herbicidas, etc. contienen vapores dañinos y venenos.</p>	<p>No inhalar jamás el aire procedente del compresor de aire ni a través de cualquier dispositivo de respiración conectado al compresor de aire.</p> <p>El compresor de aire debe funcionar sólo en ambientes bien ventilados. Atenerse a las instrucciones de seguridad indicadas para los materiales que se pulverizan. Al pulverizar ciertos materiales podría ser necesario usar un respirador.</p>
<p>RIESGO DE QUEMADURAS</p> 	<p>El tocar partes metálicas expuestas podría causar lesiones graves. La temperatura en estas zonas no baja inmediatamente al apagar el compresor de aire.</p>	<p>Asegurarse que ninguna parte del cuerpo o de otros materiales entre en contacto con las partes metálicas expuestas del compresor de aire.</p>
<p>RIESGO DE OBJETOS VOLANTES</p> 	<p>El chorro de aire comprimido podría causar lesiones a los tejidos blandos.</p> <p>La proyección de partículas del chorro de aire comprimido a velocidad elevada puede causar lesiones graves.</p>	<p>Usar siempre las gafas de protección para proteger los ojos de las partículas volantes.</p> <p>No dirigir jamás el chorro de aire a cualquier parte de su cuerpo o del cuerpo de otra persona o animal.</p> <p>No dejar jamás un compresor de aire bajo presión sin vigilancia. Apagar el compresor y descargar la presión antes de efectuar cualquier operación de mantenimiento, conectar cualquier herramienta o accesorio.</p> <p>Con el compresor de aire en marcha mantener siempre una distancia de seguridad de personas y animales.</p> <p>No debe moverse el compresor de aire cuando el depósito de aire está bajo presión. No intentar mover el compresor de aire tirando del tubo.</p>



ADVERTENCIAS IMPORTANTES DE SEGURIDAD



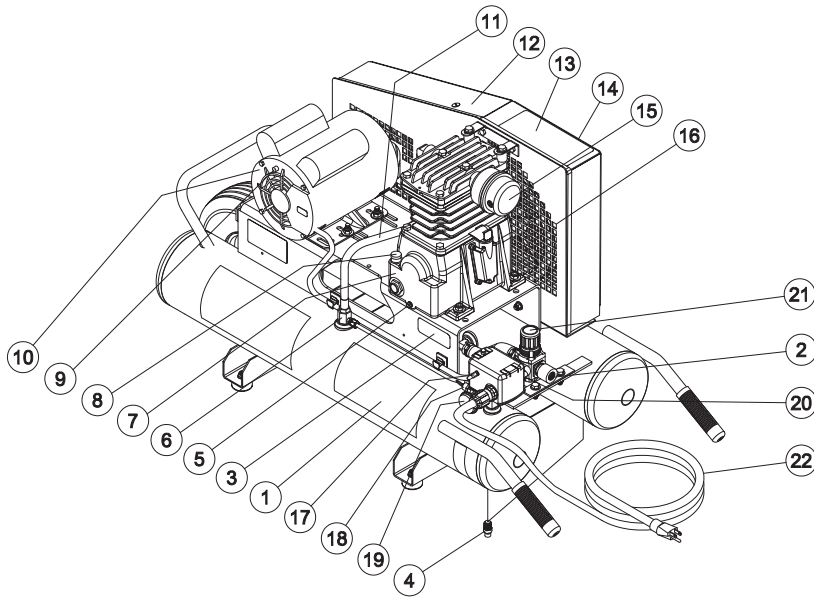
LEA TODAS LAS ADVERTENCIAS DE SEGURIDAD ANTES DE USAR LA COMPRESOR DE AIRE.

PELIGRO	POSIBLE CONSECUENCIA	PREVENCIÓN
RIESGO DE PARTES EN MOVIMIENTO 	Existe el riesgo que partes en movimiento ocasionen lesiones al cuerpo. Este compresor de aire funciona en ciclo automático cuando el interruptor de presión está en la posición "On/Auto".	<p>Antes de hacer mantenimiento, siempre apagar siempre el compresor de aire. Descargar la presión del tubo de aire y desconectar de la toma de corriente antes de efectuar cualquier operación de mantenimiento. Todas las reparaciones al compresor de aire deben ser realizadas por personal autorizado. No suponga jamás que el compresor de aire no representa un peligro sólo porque no está funcionando. Podría arrancar en cualquier momento!</p> <p>No usar el compresor de aire sin las protecciones de seguridad. Siempre remova el enchufe del compresor del aire antes de remover cualquier guarda. Sustituir las protecciones dañadas antes de encender le compresor de aire.</p>
RIESGO DE NEGLIGENCIA	Un uso negligente del compresor puede ocasionar lesiones.	<p>No permitir jamás que niños o adolescentes pongan en marcha el compresor de aire.</p> <p>Prestar mucha atención a la operación que se está cumpliendo. No se debe poner en marcha el compresor de aire en caso de cansancio o bajo la influencia de alcohol o drogas.</p> <p>Es necesario saber apagar el compresor de aire. Es preciso conocer bien todos los mandos.</p>
RIESGO DE AVERÍAS DEL COMPRESOR DE AIRE	Riesgo de graves averías.	<p>No encender el compresor de aire sin el filtro de aire.</p> <p>No encender el compresor de aire en un ambiente corrosivo.</p> <p>El compresor de aire debe funcionar en una posición estable y segura para prevenir que caiga.</p> <p>Atenerse a las instrucciones de mantenimiento descritas en este manual.</p>

¡GUARDE ESTAS INSTRUCCIONES!

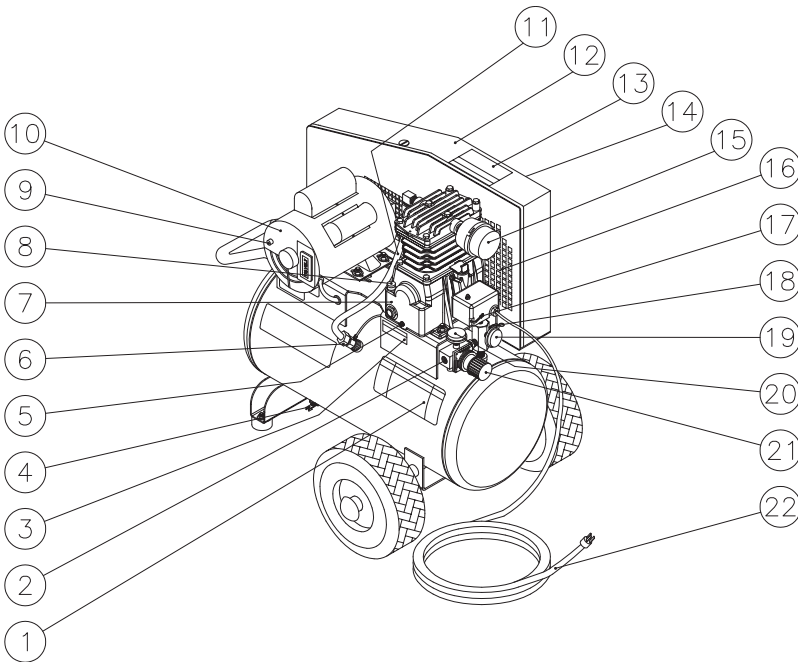
ELEMENTOS DEL COMPRESOR DE AIRE ELÉTRICO (ESTAPA SENCILLA)

AC1-PE15-FEATURE 8 GAL.-041205-DLG

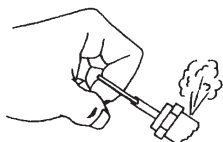


1. Calcomanía: Peligro/Advertencia/Precaución
2. Instalaciones de salida
3. Calcomanía: Advertencia- Caliente
4. Válvula de descargar del tanque de aire
5. Sumidero del aceite de bomba
6. Válvula de revisar
7. Bomba de compresor de aire
8. Interruptor magnet otérmico
9. Motor eléctrico
10. Cuerda de depósito de bomba
11. Guardia del cinturón
12. Calcomanía: Advertencia- Riesgo de lesiones
13. Calcomanía: Advertencia- Guardia del cinturón está en lugar
14. Filtro de entrada de aire
15. Varilla del aceite
16. Abeirtas de ventilación
17. Interruptor de presión
18. Válvula de presión de alivio
19. Indicador de presión
20. Indicador de presión
21. Regulador de presión
22. Cable de la toma eléctrico

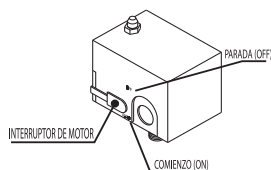
AC1-PE15-20 FEATURES-041205-DLG



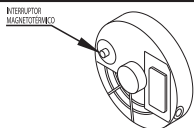
VISTA EXPLOTADA Y EXPLICACIÓN DE ELEMENTOS DE COMPRESOR DE AIRE



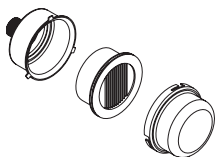
VÁLVULA DE SEGURIDAD: Esta válvula sea diseñado para pervenir falla de sistema por aliviando presión de la sistema cuando aire comprimido alcance un nivel predeterminado. La válvula ha preprogramado por el fabricante y no puede modificar en ninguna manera. Para verificar que la válvula está trabajando correctamente, tire en el anillo. Presión de aire debe escapar. Cuando el anillo sea liberado, lo volver a cero.



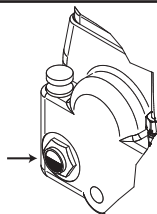
INTERRUPTOR DE MOTOR/PRESIÓN: Este interruptor es para empezar o parar el compresor de aire. Moviendo interruptor al posición de "AUTO" proveerá potencia automática al interruptor de presión cual permitirá el encendido de motor cuando la presión de tanque de aire está abajo de nivel de fábrica de presión 'atravesarse'. Cuando está en opción de Encendido/Parar, el interruptor de presión para el motor cuando presión de tanque de aire alcanza el nivel de fábrica de presión 'apagarse'. Para intenciones de seguridad este interruptor también tiene una válvula de alivio de presión que está locado en el lado del interruptor sea diseñado para liberar automáticamente el aire comprimido de la cabeza de bomba de compresor de aire y su línea de descarga cuando el compresor de aire alcanza presión 'apagarse' o desconectarse. Este permite el motor para volver a poner en marcha libre. Moviendo el interruptor a posición de 'OFF' quitará potencia del interruptor de presión y parar el compresor de aire.



INTERRUPTOR MAGNETOTÉRMICO: El motor eléctrico tiene un protector del interruptor magnetotérmico. Si el motor recalentarse para alguna razón, el interruptor magnetotérmico cortará potencia, entonces previniendo daño al motor. Espera hasta el motor esté fresco antes de apretando el botón del interruptor magnetotérmico para componer y empezar trabajando una otra vez.



FILTRO DE LA ENTRADA DEL AIRE: Este filtro sea diseñado para limpiar aire que viniendo en la bomba. Para asegurar la bomba reciba continuamente un suministro de aire limpio, fresco, y seco el filtro tiene que ser limpio y el abierto de ventilación no tiene obstrucciones. Reemplace el elemento del filtro cuando necesario.

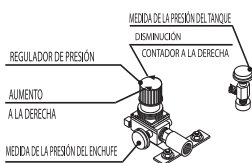


PUERTO DE RELLENO DEL ACEITE/TIRO: Tire el aceite en el puerto de relleno del aceite/tiro cuando necesario.

VIDRIO DE VISTA DEL ACEITE: El vidrio de vista del aceite expone el nivel del aceite en la bomba. El nivel del aceite debe estar en el medio del vidrio de vista del aceite. Si bajo agregue SAE30W aceite sin detergente.



VÁLVULA DE DESCARGAR DEL TANQUE DE AIRE: La válvula de descargar sea usado para quitar la humedad de los tanques de aire despues de apagarse del compresor de aire. !NUNCA trate abrir la válvula de descargar cuando más de 10PSI de presión de aire está en el tanque de aire! Para abrir la válvula de descargar, gire la perilla en sentido contrartio a las agujas.



INDICADOR DE PRESIÓN DE TANQUE DE AIRE: El indicador de presión de tanque de aire indica la presión de aire reserva en los tanques de aire.

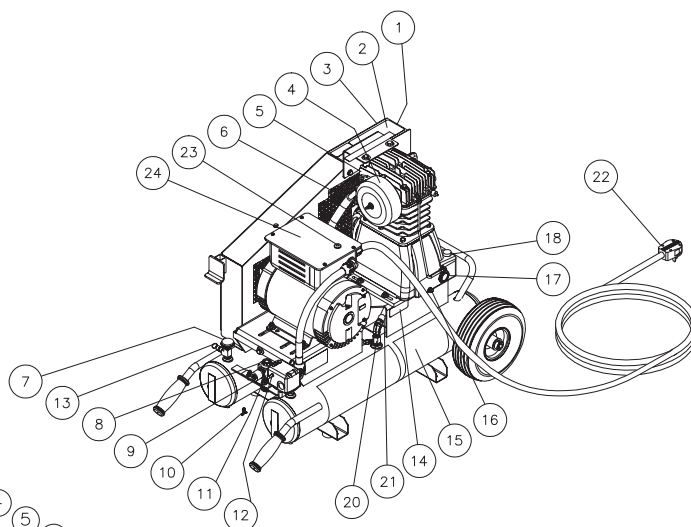
REGULADOR DE PRESIÓN: La presión de aire viniendo de tanque de aire sea controlado por la perilla de regulador. Gire la perilla de regulación de presión de las agujas del reloj para aumentar presión descarga y en sentido contrario a las agujas del reloj para disminuir la presión descarga.

INDICADOR DE PRESIÓN SALIDA: El indicador de presión salida indica la presión de aire disponible en el lado de salida del regulador. Esta presión sea controlado por el regulador y siempre sea menos o igual a la presión de tanque de aire.



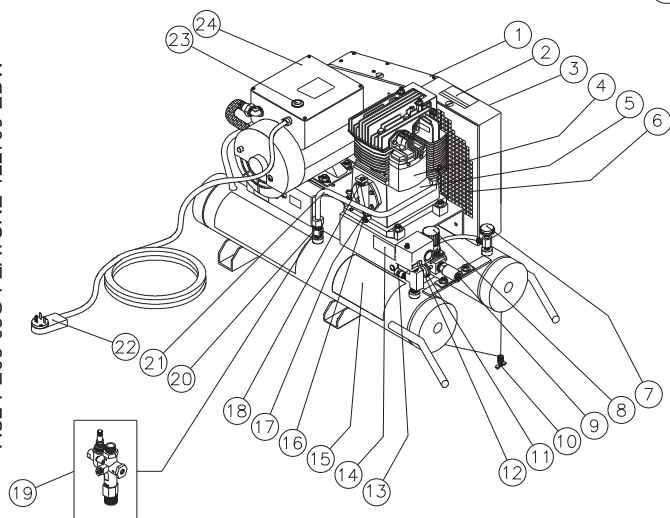
OPCIÓN DE VÁLVULA PILOTA: Cuando la perilla ajustado sea girado en el sentido de las agujas del reloj completamente al posición cerrado en todo, el compresor de aire funciona en posición de encendido/parar. Cuando la perilla ajustado sea girado en sentido contrario a las agujas al posición abierto en todo, el compresor de aire funciona en posición de seguir corriendo.

ELEMENTOS DEL COMPRESOR DE AIRE ELÉCTRICO (DOS ESTAPAS)



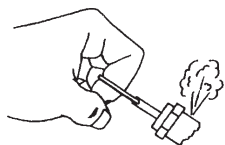
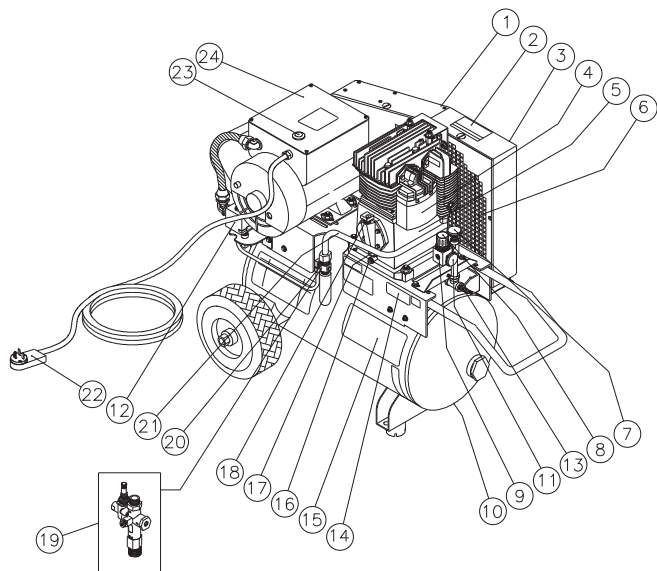
AS2-PE05-08 FEATURES-122704-DLG

AC2-PE05-08G-FEATURE-122700-EDW



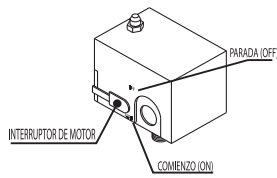
1. Guardia del cinturón
2. Calcomanía: Advertencia- Riesgo de lesiones
3. Calcomanía: Advertencia- Guardia del cinturón está en lugar.
4. Filtro de entrada de aire
5. Bomba de compresor de aire
6. Abiertas de ventilación
7. Indicador de presión de tanque de aire
8. Regulador de presión
9. Instalaciones de salida
10. Válvula (s) de descargar del tanque de aire
11. Indicador de presión de salida
12. Interruptor de Motor/Presión
13. Válvula de seguridad de alivio
14. Calcomanía: Advertencia- Caliente
15. Calcomanía: Peligro/Advertencia/ Precaución
16. Sumidero del aceite de bomba
17. Vidrio de vista del aceite
18. Puerto de relleno del aceite/tiro
19. Válvula de piloto (opcional)
20. Válvula de revisar
21. Cuerda de depósito de bomba
22. Cable de la toma eléctrico
23. Interruptor magnetotérmico
24. Motor eléctrico

AC2-PE05-20G-FEATURE-122700-EDW

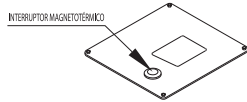


VÁLVULA DE SEGURIDAD: Esta válvula sea diseñado para pervenir falla de sistema por aliviando presi=n de la sistema cuando aire comprimido aleance un nivel predeterminado. La válvula ha preprogramado por el fabricante y no puede modificar en ninguna manera. Para verificar que la válvula está trabajando correctamente, tire en el anillo. Presión de aire debe escapar. Cuando el anillo sea liberado, lo volver a cero.

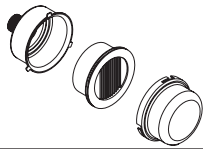
VISTA EXPLOTADA Y EXPLICACIÓN DE ELEMENTOS DE COMPRESOR DE AIRE



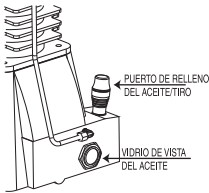
INTERRUPTOR DE MOTOR/PRESIÓN: Este interruptor es para empezar o parar el compresor de aire. Moviendo interruptor al posición de "AUTO" proveerá potencia automático al interruptor de presión cual permitirá el encendido de motor cuando la presión de tanque de aire está abajo de nivel de fábrica de presión 'atrasarse'. Cuando está en opción de Encendido/Parar, el interruptor de presión para el motor cuando la presión de tanque de aire alcanza el nivel de fábrica de presión 'apagarse'. Para intenciones de seguridad este interruptor también tiene una válvula de alivio de presión que está localizada en el lado del interruptor sea diseñado para liberar automáticamente el aire comprimido de la cabeza de bomba de compresor de aire y su línea de descarga cuando el compresor de aire alcanza presión 'apagarse' o desconectarse. Este permite el motor para volver a poner en marcha libre. Moviendo el interruptor a posición de 'OFF' quitará potencia del interruptor de presión y parar el compresor de aire.



INTERRUPTOR MAGNETOTÉRMICO: El motor eléctrico tiene un protector del interruptor magnetotérmico. Si el motor se recalienta por alguna razón, el interruptor magnetotérmico cortará potencia, entonces previniendo daño al motor. Espera hasta el motor esté fresco antes de apretando el botón del interruptor magnetotérmico para componer y empezar trabajando una otra vez.



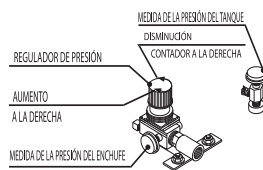
FILTRO DE LA ENTRADA DEL AIRE: Este filtro sea diseñado para limpiar aire que viene en la bomba. Para asegurar la bomba reciba continuamente un suministro de aire limpio, fresco, y seco el filtro tiene que ser limpio y el abierto de ventilación no tiene obstrucciones. Reemplace el elemento del filtro cuando necesario.



PUERTO DE RELLENO DEL ACEITE/TIRO: Tire el aceite en el puerto de relleno del aceite/tiro cuando necesario.

VIDRIO DE VISTA DEL ACEITE: El vidrio de vista del aceite expone el nivel del aceite en la bomba. El nivel del aceite debe estar en el medio del vidrio de vista del aceite. Si bajo agregue SAE30W aceite sin detergente.

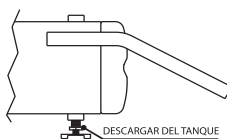
BOMBA DE COMPRESOR DE AIRE: Una bomba de compresor de dos etapas usa cilindros de dos tamaños diferentes con la válvula entrada de el más pequeño y segundo cilindro que unirá a válvula de exhausto de la primera y más grande cilindro. En el tiempo abajo el aire sea retraído por las válvulas entradas mientras las válvulas de exhausto quedan cerradas. En el tiempo arriba el aire sea retraído por las válvulas entradas mientras las válvulas de exhausto quedan cerradas. En el tiempo arriba el aire sea comprimido las válvulas entradas cierran y el aire comprimido sea forzado por las válvulas de exhausto entre el refrigerante y por la válvula entrada de el más pequeño y segundo cilindro en el tiempo abajo. En el tiempo arriba del cilindro pequeño, la válvula entrada cierra y el aire comprimido comprimir un tiempo segundo y forzado fuera de válvula de exhausto entre la línea de depósito por válvula de revisar de tanque y entre el tanque de aire.



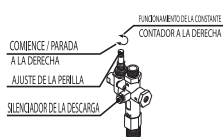
INDICADOR DE PRESIÓN DE TANQUE DE AIRE: El indicador de presión de tanque de aire indica la presión de aire reserva en los tanques de aire.

REGULADOR DE PRESIÓN: La presión de aire viniendo de tanque de aire sea controlado por la perilla de regulador. Gire la perilla de regulación de presión de las agujas del reloj para aumentar presión de descarga y en sentido contrario a las agujas del reloj para disminuir la presión de descarga. (La presión real de entrega pueden variar de un nivel de presión máxima de la bomba).

INDICADOR DE PRESIÓN SALIDA: El indicador de presión salida indica la presión de aire disponible en el lado de salida del regulador. Esta presión sea controlado por el regulador y siempre sea menos o igual a la presión de tanque de aire.



VÁLVULA DE DESCARGAR DEL TANQUE DE AIRE: La válvula de descargar sea usada para quitar la humedad de los tanques de aire después de apagarse del compresor de aire. ¡NUNCA trate abrir la válvula de descargar cuando más de 10PSI de presión de aire está en el tanque de aire! Para abrir la válvula de descargar, gire la perilla en sentido contrario a las agujas.



OPCIÓN DE VÁLVULA PILOTA: Cuando la perilla ajustado sea girado en el sentido de las agujas del reloj completamente al posición cerrado en todo, el compresor de aire funciona en posición de encendido/parar. Cuando la perilla ajustado sea girado en sentido contrario a las agujas al posición abierto en todo, el compresor de aire funciona en posición de seguir corriendo.

ADVERTENCIA

LAS PAGINAS SIGUIENTES CONTIENEN INSTRUCCIONES DE OPERACION Y MANTENIMIENTO

NO TRATE DE OPERAR ESTA LAVADORA A PRESION HASTA QUE HAYA LEIDO Y ENTENDIDO TODAS LAS PRECAUCIONES E INSTRUCCIONES DE SEGURIDAD LISTADAS EN ESTE MANUAL.

¡¡LA OPERACION INCORRECTA DE ESTA UNIDAD PUEDE CAUSAR LESIONES GRAVES!!

¡¡DE NINGUNA MANERA ALTERE O MODIFIQUE ESTE EQUIPO!!

ADVERTENCIA
RIESGO DE FUEGO O EXPLOSION Y CAUSAR LESIONES GRAVES O LA MUERTE! Si las chispas eléctricas del motor y del interruptor de presión entran en contacto con vapores inflamables, polvos, gases u otros materiales combustibles, pueden causar lesiones graves o la muerte.
 Al usar el compresor de aire para pulverizar pintura, colocar el compresor de aire lo más lejos posible del área de trabajo, utilizando tubos de aire adicionales en lugar de cables de prolongación.

INSTRUCCIONES DE PREPARACIÓN

PREPARACIÓN:

1. Lea las advertencias de seguridad antes de preparar el compresor del aire.
2. Asegurar el nivel del aceite en el compresor de aire es adecuado. Si bajo, agregar SAE-30W aceite sin detergente.

COLOCACIÓN:

1. Para evitar daños al compresor de aire, éste no debe inclinarse transversalmente o longitudinalmente a más de 10°.
2. Colocar el compresor de aire a una distancia mínima de 12 pulgadas de cualquier obstáculo que impida una correcta ventilación. No colocar jamás un compresor de aire en una zona:
 - donde hay fugas de aceite o gas.
 - donde puede haber vapores o materiales inflamables.
 - donde la temperatura del aire es inferior a 32°F o superior a 104°F.
 - donde aire sucio o agua podría ser aspirado por el compresor de aire.

PELIGRO ¡RIESGO DE ELECTROCUCIÓN! La conexión incorrecta del conductor equipo-que pone a tierra puede dar lugar a un riesgo de choque o de electrocución. Compruebe con un electricista o un personal de servicio calificado si usted es en duda si el enchufe está puesto a tierra correctamente. Este producto es fábrica equipada de una cuerda eléctrica y de un enchufe específicos basados en las unidades voltaje y el grado del amperaje. Esto está para la conexión a un circuito eléctrico apropiado. Conecte solamente el producto con un enchufe que tiene la misma configuración que el enchufe. No utilice un adaptador con este producto. Si el producto se debe volver a conectar para el uso en un diverso tipo de circuito eléctrico, la reconexión será hecha por los personales de servicio calificados. Si la reparación o el reemplazo de la cuerda o del enchufe es necesario, no conecte el alambre que pone a tierra con cualquier terminal plano de la lámina. El alambre con el aislamiento que tiene una superficie externa con la cual sea verde o sin las rayas amarillas es el alambre que pone a tierra.

CONEXIONES ELÉCTRICAS:

1. NO RECOMIENDA EL USO DE CABLES DE PROLONGACIÓN porque podría causar pérdidas de potencia y recalentamiento del motor. Se recomienda el uso de un tubo de aire adicional en lugar de la extensión.
2. Si no es posible evitar el uso de un cable de prolongación, enchufarlo a un GFCI en cajas de circuito o tomas protegidas.

Gama del grado del amperio	Voltaje	Longitud de la cuerda en el pie					
	120V	7.62 mm	15.24mm	30.48 mm	45.72 mm	60.96m	76.2 mm
	240V	15.24 mm	30.48 mm	60.96 mm	91.44 mm	121.92 mm	152.4 mm
8 - 10		18	14	12	10	8	8
10 -12		16	14	10	8	8	6
12 - 14		16	12	10	8	6	6
14 - 16		16	12	10	8	6	6
16 - 18		14	12	8	8	6	4
18 - 20		14	12	8	6	6	4

3. Usar sólo extensiones de 3-seccionadores con enchufes de tierra de 3-seccionadores y conectores de 3-alojamientos que acepten el enchufe del producto.
4. Usar sólo extensiones con potencia nominal no inferior a la potencia del producto. No usar extensiones dañadas. Controlar la extensión antes de usaria y sustituirla si está dañada.
5. No maltratar la extensión y no tirar de la misma para desconectaria. Mantener la extensión lejos del calor y de bordes afilados.
6. Apagar siempre el compresor de aire antes de desconectar el enchufe de la toma.

INSTRUCCIONES DE OPERACIÓN

CONTROLES ANTES DEL ARRANQUE:

1. Controlar el nivel del aceite. Reponer si es necesario. Eliminar la condensación del depósito del compresor de aire.
2. Peligro de lesiones al cuerpo. **NO INTENTE JAMÁS abrir la válvula de descarga cuando hay más de 10 PSI de presión en el interior del depósito.** Descargar la presión excesiva con una herramienta de aire, luego abrir la válvula de descarga del depósito de aire ubicada en la parte inferior del depósito. Cerrar bien una vez descargado.
3. Asegurarse que el Interruptor Motor del compresor de aire esté en la posición "OFF".
4. Asegurarse que todas las válvulas de seguridad funcionen correctamente.
5. Asegurarse que todas las protecciones de seguridad estén en su lugar y hayan sido montadas correctamente.

OPERACIÓN:

1. Leer atentamente las advertencias de seguridad antes de efectuar esta operación.
2. Asegurarse que la palanca del interruptor de presión esté en la posición "OFF".
3. Enchufar el cable de alimentación en la toma de corriente conectada a tierra.
4. Mover el interruptor de motor/presión a posición de "AUTO".


PARA LAS UNIDADES EQUIPADAS DE CONTROL DUAL : Localizar perilla de ajustamente en la arriba de válvula piloto. Girar la perilla, toda en el sentido de las manecillas del reloj a posición cerrada toda. Esta permitirá el encendido del compresor de aire para construir presión en taques de aire y parar cuando presión correcto obtener. Cuando presión caerse con usar el compresor de aire empezará contruido presión una otra vez. Girar completo en sentido contrario de las manecillas del reloj a posición abierto todo/completo. El compresor de aire estar listo para contruir presión-constante. Cuando presión estar nivel de preprogramar, en tanque de aire, presión purgará entre válvula de piloto.

5. Ajustar la presión moviendo el regulador de presión en el sentido contrario a las manecillas del reloj para reducir la presión y en el sentido de las manecillas del reloj para aumentaria.
6. En caso de ruidos o vibraciones anómalos, detener el compresor de aire y consultar la sección "Localización de Averías".

APAGAMIENTO:

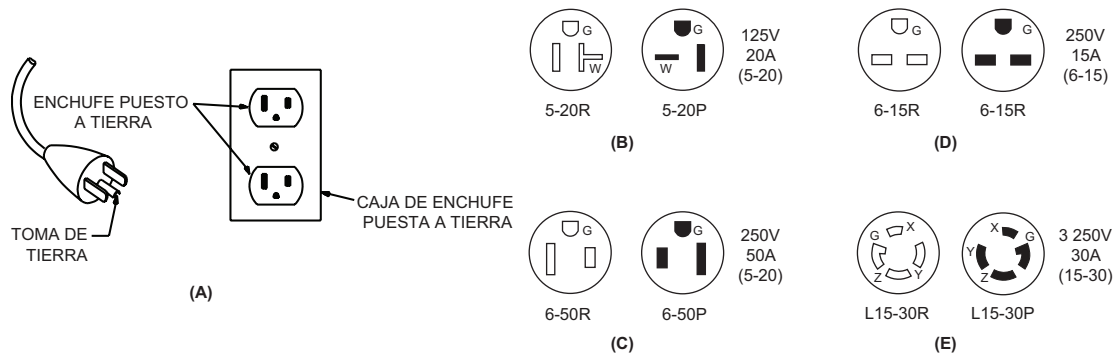
1. Para apagar el compresor de aire, mover la palanca sobre la caja del interruptor de presión en al posición "OFF". **NO DETENGQA JAMAS** el compresor de aire desenchufándolo de la toma de corriente porque existe el peligro de electrocución.
2. Descargar el aire de los depósitos de aire, por medio de una herramienta conectada o tirando los anillos de la válvula de seguridad.
3. Una vez que le presión en el interior de los depósitos de aire es inferior a 10 libras, abrir la válvula de descarga debajo de cada depósito de aire para eliminar la humedad.
4. Dejar enfriar el compresor de aire.
5. Limpiar el compresor de aire con un paño y colocarlo en un lugar seguro, donde no exista el riesgo de congelación.

 **ADVERTENCIA**
RIESGO DE DESCARGAS ELÉCTRICAS! Este producto requiere de la conexión a tierra. En caso de funcionamiento incorrecto o averías, la conexión a tierra proporciona un camino de menor resistencia para la corriente eléctrica y reduce el riesgo de descargas eléctricas. Este producto está equipado con un cable con conector equipo-tierra y un enchufe de tierra. El enchufe debe conectarse a la toma apropiada que ha sido instalada y empalmada a tierra correctamente, conforme a todas las normas locales.

 **ADVERTENCIA**
Peligro de lesiones al cuerpo. **NO INTENTE JAMÁS** abrir la válvula de descarga cuando hay más de 10 PSI de presión en el interior del depósito.

INSTRUCCIONES DE MANTENIMIENTO

EJEMPLOS DE LOS ENCHUFES POSIBLES DE LA CUERDA Y DEL RECEPTÁCULO CORRESPONDIENTE



MANTENIMIENTO:

Leer el manual de instrucciones antes de efectuar cualquier operación de mantenimiento. Las operaciones descritas a continuación deben ser llevadas a cabo cuando el compresor se apaga por mantenimiento o reparaciones.

1. Apagar el compresor de aire.
2. Desconectar el cable de la toma de corriente principal.
3. Abrir todas las descargas.
4. Esperar que el compresor de aire se haya enfriado antes de comenzar las operaciones.

⚠ ADVERTENCIA
RIESGO DE LESION! No suponga jamás que el compresor de aire no pueda causar lesiones sólo porque no está funcionando. Podría arrancar en cualquier momento.

AC Ele. Maintenance Chart Spanish

TABLA DE MANTENIMIENTO				
OPERACIÓN	DIARIA	SEMANAL	MENSUAL	200 HORAS
Controlar el nivel del aceite de la bomba	X			
Inspeccionar que no haya pérdidas de aceite	X			
Descargar la condensación del depósito/s de aire	X			
Controlar el cubierta/tapa	X			
Controlar que no hay ruidos/vibraciones anómalos	X			
Inspeccionar que no hay fugas de aire	X			
Limpiar el compresor de aire exteriormente		X		
Controlar el filtro del aire		X		
Controlar el correa			X	
Controlar la válvula de seguridad			X	
Cambiar el aceite de la bomba*				X
Sustituir el filtro del aire				X

*El aceite de la bomba debe cambiarse después de 50 horas de trabajo y cada 200 horas o 3 meses, según la condición que ocurra antes.

Cada dos años, un técnico autorizado de servicio debe inspeccionar la válvula, válvulas de entrar y válvulas de liberar.

LOCALIZACIÓN DE AVERÍAS

SÍNTOMA	CAUSA (S) POSIBLE (S)	SOLUCIÓN
El motor no se enciende o no vuelve a encenderse	El cable de alimentación no está conectado	Enchufar el cable en la toma de corriente conetada a tierra
	El interruptor motor/presión está en la posición "OFF"	Mover el interruptor en la posición "AUTO"
	El interruptor magnetotérmico está activado	Apagar el compresor de aire, esperar que el motor se enfríe, luego presionar firmemente el botón (rojo) del magnetotérmico motor hasta oír
	Se han fundido los plomos o se ha activado el interruptor automático	Sustituir los plomos o restablecer el interruptor automático. Controlar que el fusible disponga de los amperios correctos. Controlar las condiciones de baja tensión. Desconectar cualquier otro equipo eléctrico del circuito o hacer funcionar el compresor de aire en su propia sección del circuito
	Falta de aceite en el compresor de aire	Ponga aceite
	El cable es de sección errada o la longitud de la extensión es incorrecta	Controlar el correcto valor del calibre y longitud del cable
	El motor tensión y transformador no hace juego	Llame al servicio al cliente
	La presión del aire en el depósito supera la presión de activación del interruptor motor/presión	El motor se enciende automáticamente cuando la presión en el depósito de aire es inferior a la presión de activación del interruptor motor/presión
	La válvula de escarga de la presión en el interruptor motor/presión no ha descargado la presión de la culata de la bomba	Descargar la línea, colocando el interruptor en la posición "OFF"
	La válvula de válvula a inspeccionar está abierto y no puede cerrar	Remove y limpie o reemplace
El compresor de aire no arranca, pero el motor hace ruido y entonces apaga	El motor, el condensador motor, el interruptor motor/presión o la válvula de retención no funciona correctamente	Llame al servicio al cliente
	Cuerda de extensión demasiado larga o regal de hilo incorrecto	Use mas tubera de aire en vez de la cuerda de extensión, o use regal correcta de hilo y largor de cuerda
	Conexión electrical suelta	Llame a un electricista calificado
	Mal ventilación	Mueva la unidad
	La pesa del aceite demasiado pesado	Use un aceite que pesa menos
	Demasiado aparatos que está operando al mismo circuito	Use un otro circuito o remova los aparatos excesivos del circuito
	Voltaje incorrecto, talla incorrecta de cortacircuitos, plomo, o motor. Motor defectivo	Llame un electricista calificado
Lálvula de retención es defectuosa y el interruptor motor/presión es defectuoso	Reemplace	
El compresor de aire no parar aun cuando la maxima de presión que permitir se alcanzado	Interruptor de motor/presión no funciando correcto	Reemplace

LOCALIZACIÓN DE AVERÍAS

SÍNTOMA	CAUSA (S) POSIBLE (S)	SOLUCIÓN
Funcionamiento ruidoso	Falta aceite en la bomba	Reponer la cantidad de aceite necesaria. Controlar que los cojinetes no se hayan dañado
	Falta aceite en la bomba	Reponer la cantidad de aceite necesaria. Controlar que los cojinetes no se hayan dañado.
	Residuos de carbono en los pistones o en las válvulas	Desmontar e inspeccionar la culata del cilindro. Limpiar y sustituir
	Avería del cojinete, pistón o biela	PARAR EL COMPRESOR! Póngase en contacto con la Asistencia Clientes
Abajo de presión en tanque de aire o abajo de presión rápidamente cuando el compresor de aire está apagado	La válvula del tanque de aire de eliminar está abierto	Cierre completamente la válvula del tanque de aire de eliminar
	Los accesorios no han sido apretados bien	Aretar los accesorios donde se oye que el aire dale. Controlar los accesorios con una solución de agua y jabón. No apretar demasiado
	La válvula de retención y la válvula piloto es defectuosa	Desmontar, limpiar o sustituir
	Fugas de aire del depósito de aire	Sustituir el depósito de aire. No intentar reparar el depósito
Presión insuficiente en la herramienta o en los accesorios	Fugas de aire	Localizar las fugas y reparar
	Filtro aspiración aire obstruido	Limpiar o sustituir
	Los tubos o los empalmes de los tubos son demasiado pequeños o largos	Sustituir con tubos o empalmes más grandes
	El compresor de aire no produce la capacidad de aire requerida	Controlar el requisito de aire del accesorio. Si es superior al CMF o a la presión suministrada or el compresor de aire, es necesario usar un compresor más grande
	El regulador de presión no ha sido ajustado a una presión suficientemente alta o avería del regulador de presión	Ajustar el regulador de presión al valor adecuado o sustituir
	Las resbalaban de correa	Haga mas apretado o reemplace
El aire sale de la válvula de seguridad	Válvula pilota restricta	Limpie o reemplace
	La válvula de seguridad probablemente es defectuosa	Activar la válvula de seguridad manualmente tirando del anillo
	La presión de aire en el depósito es excesiva	Si el aire sigue saliendo, debe ser sustituida. Interruptor motor/presión defectuoso. Sustituir
Fugas de aire en la bomba	Juntas defectuosas	Sustituir y apretar los pernos de la culata
El aire sigue saliendo de la válvula de descarga del interruptor motor/presión mientras el motor está en marcha	El interruptor motor/presión es defectuoso	Sustituir
Aire soplando de filtro de toma de aire	Averidao de válvula de entrada (lengüeta)	Sustituir

LOCALIZACIÓN DE AVERÍAS

SÍNTOMA	CAUSA (S) POSIBLE (S)	SOLUCIÓN
Cuando en opción de Encender/Parar, el motor funciona sin interrupciones	El interruptor motor/presión no apaga el motor cuando el compresor de aire alcanza la presión de desacivación y la válvula de seguridad se activa	Colocar el interruptor motor/presión en la posición "OFF". Si el motor no se apaga, desconectar el compresor de aire. Si los contactos eléctricos están soldados entre sí, sustituir el interruptor de presión
	La capacidad del compresor de aire es insuficiente	Limitar la presión del aire a la capacidad del compresor de aire. Usar una herramienta que requiera una presión inferior o un compresor de aire con una capacidad superior
Condensación en el aire de descarga	Condensación en el depósito de aire debido a una elevada humedad atmosférica.	Opera el compresor de aire por una hora para impedir demasiado condensación. Vaciar el depósito de aire después de cada empleo. Vaciar el depósito de aire más frecuentemente en climas húmedos y usar un filtro en la línea de aire
Excesivo consumo de aceite en la bomba	Filtro aspiración aire obstruido	Limpiar o sustituir
	Compresor de aire sobre superficie no nivelada	No inclinar el compresor de aire a un ángulo superior a 10° en ninguna dirección mientras esté en marcha
	Cárter demasiado lleno de aceite	Vaciar el aceite. Reponer con aceite hasta el nivel apropiado
	Viscosidad incorrecto	Elimina el aceite. Llène al nivel correcto con SAE-30W aceite sin detergente
	Ventilación de la varilla indicadora de nivel aceite atascada	Limpiar
	Pérdidas de aceite	Reparar
Condensación en el aire de descarga	Anillos del pistón desgastados o cilindro rayado	Ponerse en contacto con la Asistencia Clientes.
	Condensación en el depósito de aire debido a una elevada humedad atmosférica o el compresor de aire no ha funcionado por un tiempo suficiente	Opera el compresor de aire por una hora para impedir demasiado condensación. Vaciar el depósito de aire después de cada empleo. Vaciar el depósito de aire más frecuentemente en climas húmedos y usar un filtro en la línea de aire
Unidad funcionar hacía atras	Instalacion de electrica se reverso	Ponerse en contacto con una electricista cualificado

