



PARTS LIST FOR
GEN-13000-1MSE
GEN-14000-1MHE

This Parts Listing has been compiled for your benefit. You can be assured your Mi-T-M Generator was constructed and designed with quality and performance in mind. Each component has been rigorously tested to insure the highest level of acceptance.

The contents of this Parts Listing are based on the latest product information available at the time of publication. Mi-T-M reserves the right to make changes in price, color, materials, equipment, specifications or models at any time without notice.

 **WARNING**

CAUTION SHOULD BE OBSERVED WHEN USING OR REPAIRING THIS UNIT! READ AND FOLLOW THE SAFETY WARNINGS LISTED BELOW BEFORE ATTEMPTING ANY REPAIRS ON THIS GENERATOR!

SAFETY WARNINGS

1. NEVER alter or modify the equipment. Use only genuine Mi-T-M replacement parts for repair of your generator. Failure to do so can cause hazardous operating conditions and will VOID warranty.
2. NEVER make adjustments on machinery while the unit is connected to the engine without first removing the ignition cable from the spark plug. Turning over the machinery by hand during adjustment or cleaning might start the engine and machinery with it, causing serious injury to the operator.
3. Do not operate the unit without all protective covers in place. Know how to stop the generator and turn off circuits quickly. Be thoroughly familiar with controls.
4. Before servicing the unit, turn unit off and allow the unit to cool down. Do not make repairs while the unit is running. Service in a clean, dry, flat area. Block the wheels to prevent the unit from moving. Be especially careful to properly dispose of any flammable materials.

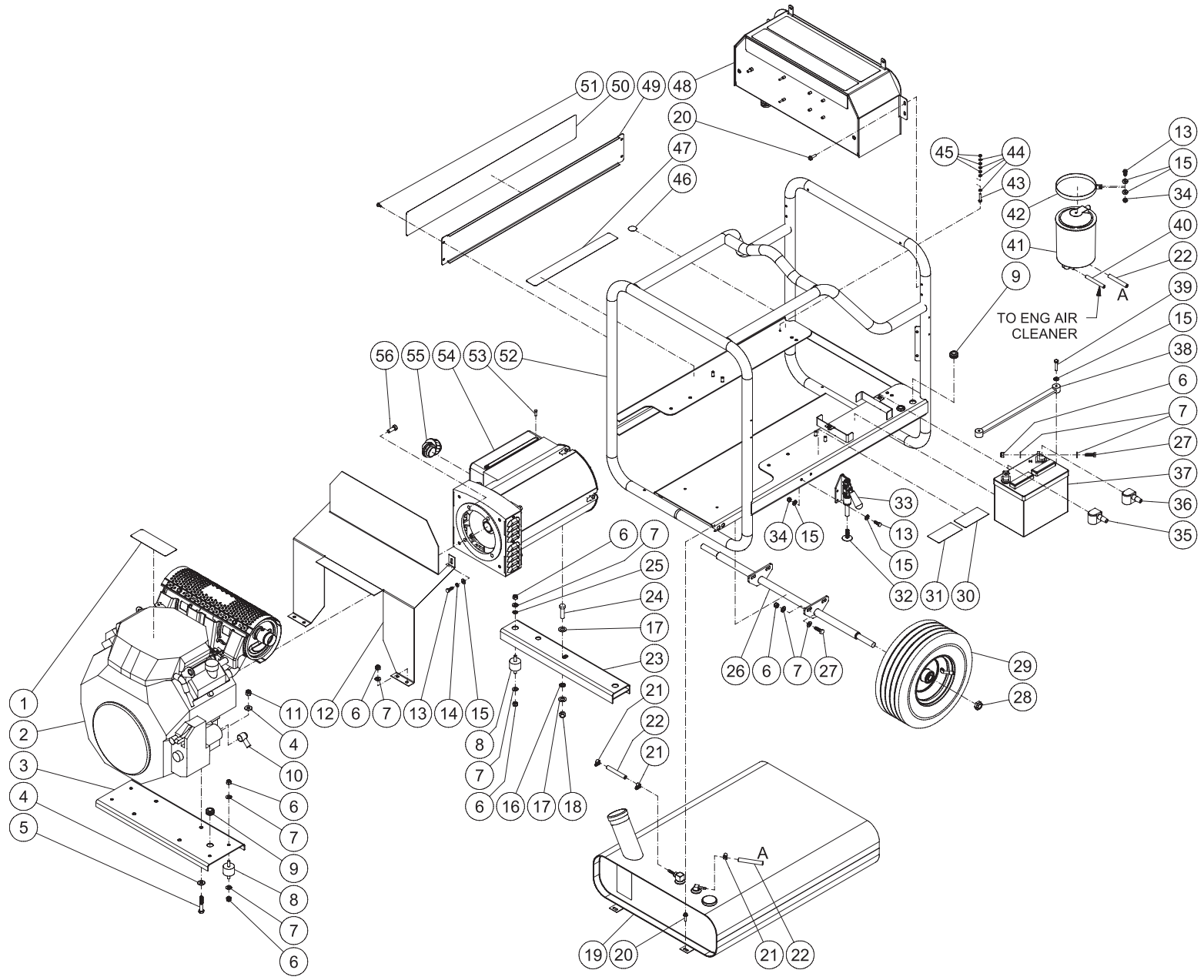
Table of Contents

SPECIFICATIONS	3
GEN-13000-1MSE / GEN-14000-1MHE	4
ENGINE ASSEMBLY (850-0395)	6
ENGINE ASSEMBLY (850-0357)	8
ELECTRIC BOX ASSEMBLY	10
GAS TANK ASSY	12
WIRE DIAGRAM	14

SPECIFICATIONS

MODEL NUMBER	GEN-13000-1MSE	GEN-14000-1MHE
Engine:	EH650 Subaru	GX630 Honda
Watts (AC) Rated:	11,500W	12,000W
Watts (AC) Max.:	13,000W	14,000W
Rated Voltage (AC):	120/240V	120/240V
Max. Amperage:	108.3A / 54.2A	116.7A / 58.3A
Cont. Amperage:	95.8A / 47.9A	100.0A / 50.0A
Frequency:	60Hz	60Hz
Fuel Tank Capacity:	13.2 gal.	13.2 gal.
Run Time Hours / Tank of Fuel*:	8 hrs.	8 hrs.
Battery for Electric Start:	#32-0058	#32-0058
* Rated at Full Load		

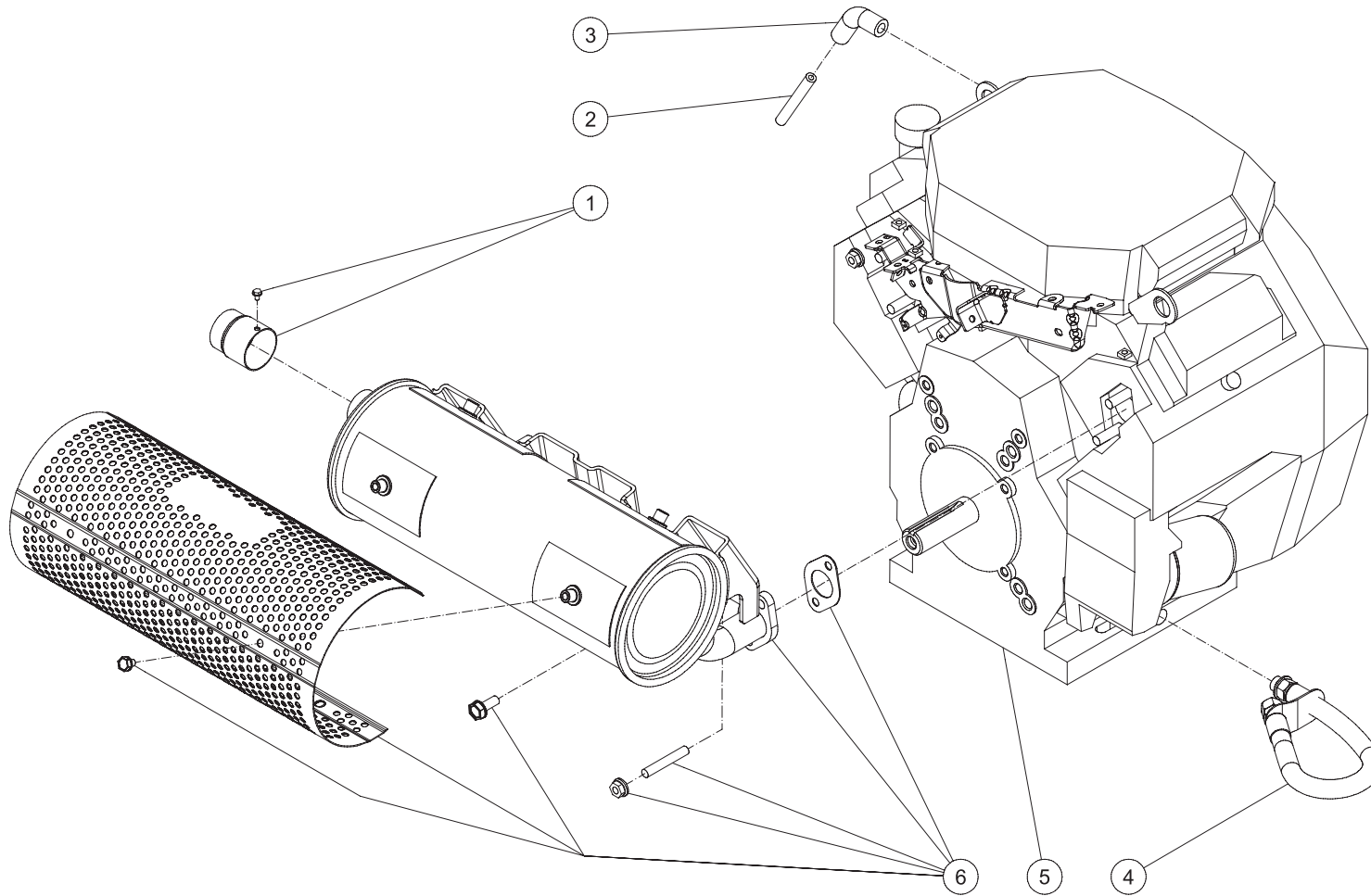
GEN-13000-1MSE / GEN-14000-1MHE



GEN-13000-1MSE_14000-1MHE 011812-CH

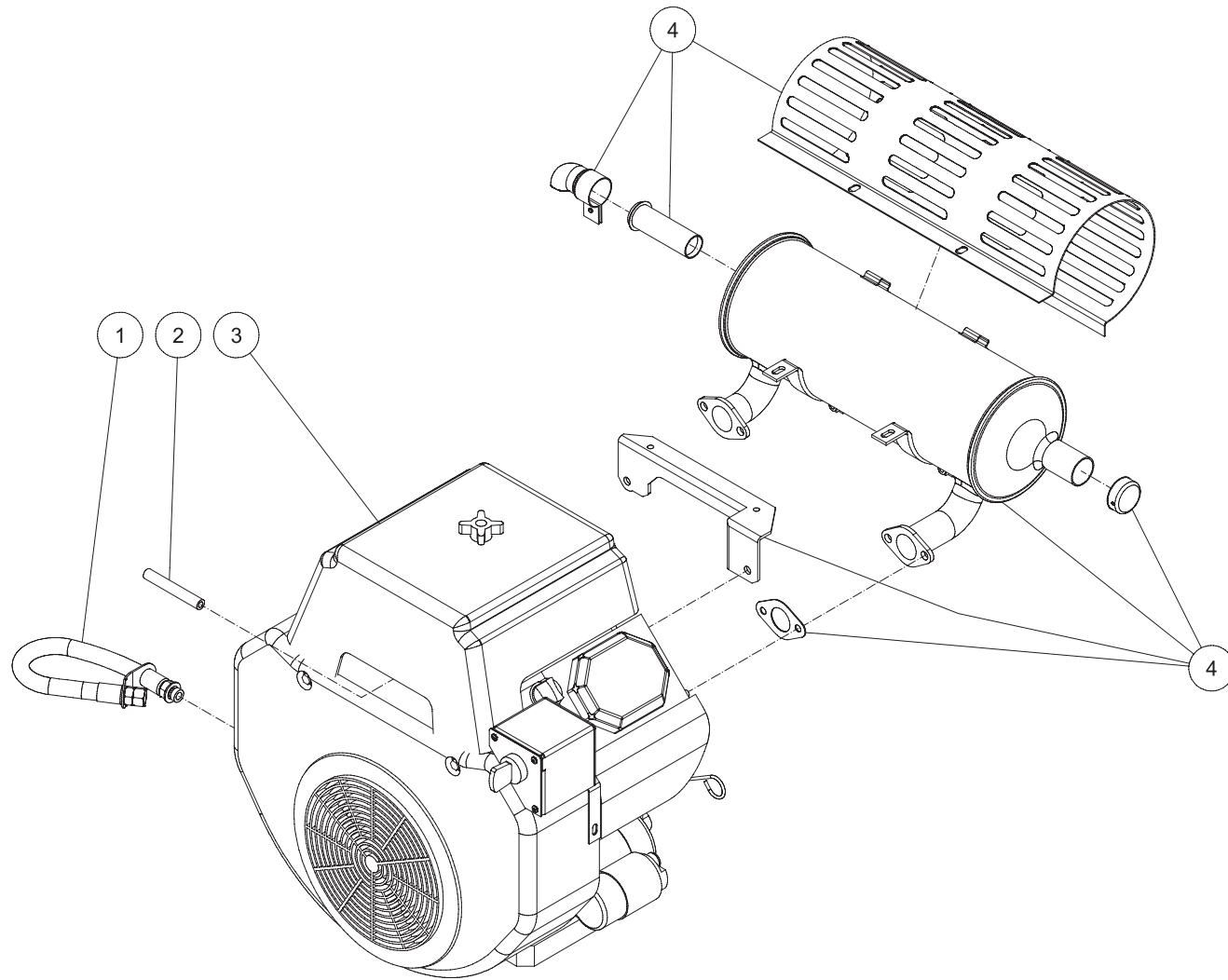
FRAME ASSEMBLY							
ITEM	DESCRIPTION	Mi-T-M #	QTY	ITEM	DESCRIPTION	Mi-T-M #	QTY
1	DECAL- CARBON MONOXIDE (SEE 71-0021)	N/A	1	30	DECAL- CALIFORNIA EMISSIONS	34-1817	1
2	ENGINE ASSEMBLY - HONDA	850-0395	1	31	DECAL- SILVER STICKER	N/A	1
-	ENGINE ASSY - SUBARU	850-0357	1	32	BOLT	27-9550	1
3	ISOLATION PLATE	5-0279A01	1	33	PUSH/PULL TOGGLE CLAMP	33-0400	1
4	WASHER	28-0022	8	34	LOCKNUT	30-0155	4
5	BOLT	27-0121	4	35	BATTERY CABLE COVER	33-0429	1
6	LOCKNUT	30-0157	26	36	BATTERY CABLE COVER	33-0004	1
7	WASHER	28-0003	36	37	BATTERY	32-0058	1
8	ISOLATOR	33-0028	6	38	BATTERY STRAP	33-0430	1
9	GROMMET (1MHE)	33-0001	3	39	BOLT	27-0017	2
-	GROMMET (1MSE)	33-0001	2	40	FUEL HOSE *(THREE FEET REQUIRED) (1MHE)	15-0261	1
10	TERMINAL PROTECTOR	33-0508	1	-	FUEL HOSE (1MSE)	15-0008	1
11	LOCKNUT	30-0159	4	41	CARB CANISTER	62-0212	1
12	HEAT SHIELD	20-1116A01	1	42	CARB CANISTER STRAP	20-1187A01	2
13	BOLT	27-0015	6	43	BOLT	27-8807	1
14	LOCKWASHER	29-0006	2	44	STAR WASHER	28-1009	4
15	WASHER	28-0002	12	45	NUT	30-6001	3
16	LOCKWASHER	29-0112	1	46	DECAL- GROUND PICTORIAL (SEE 71-0021)	N/A	1
17	WASHER	28-0005	2	47	DECAL- WARNING EXPLOSION (SEE 71-0021)	N/A	1
18	LOCKNUT	30-0161	1	48	ELECTRIC BOX ASSEMBLY	N/A SEP	1
19	GAS TANK ASSEMBLY	856-0019	1	49	SIDE PANEL	20-1117A01	2
20	BOLT	27-9527	10	50	DECAL - MARKETING (1MHE)	34-2558	2
21	CLAMP WORM	42-0004	3	-	DECAL - MARKETING (1MSE)	34-2265	2
22	FUEL HOSE *(SIX FEET REQUIRED)	15-0008	1	51	BOLT	27-3062	8
23	ISOLATION PLATE	5-0280A01	1	52	FRAME	5-0269A01	1
24	BOLT	27-0168	1	53	BOLT	27-8878	4
25	LOCKWASHER	29-0110	1	54	ALTERNATOR	32-0886	1
26	AXLE	5-0278A01	2	55	CONDUIT ELBOW	32-0907	1
27	BOLT	27-0067	10	56	BOLT	27-0117	4
28	LOCKNUT	30-0117	4	-	DECAL SET - GEN 12000	71-0021	1
29	WHEEL	14-0006	4	*MUST ORDER IN ONE FOOT LENGTHS			

ENGINE ASSEMBLY (850-0395)



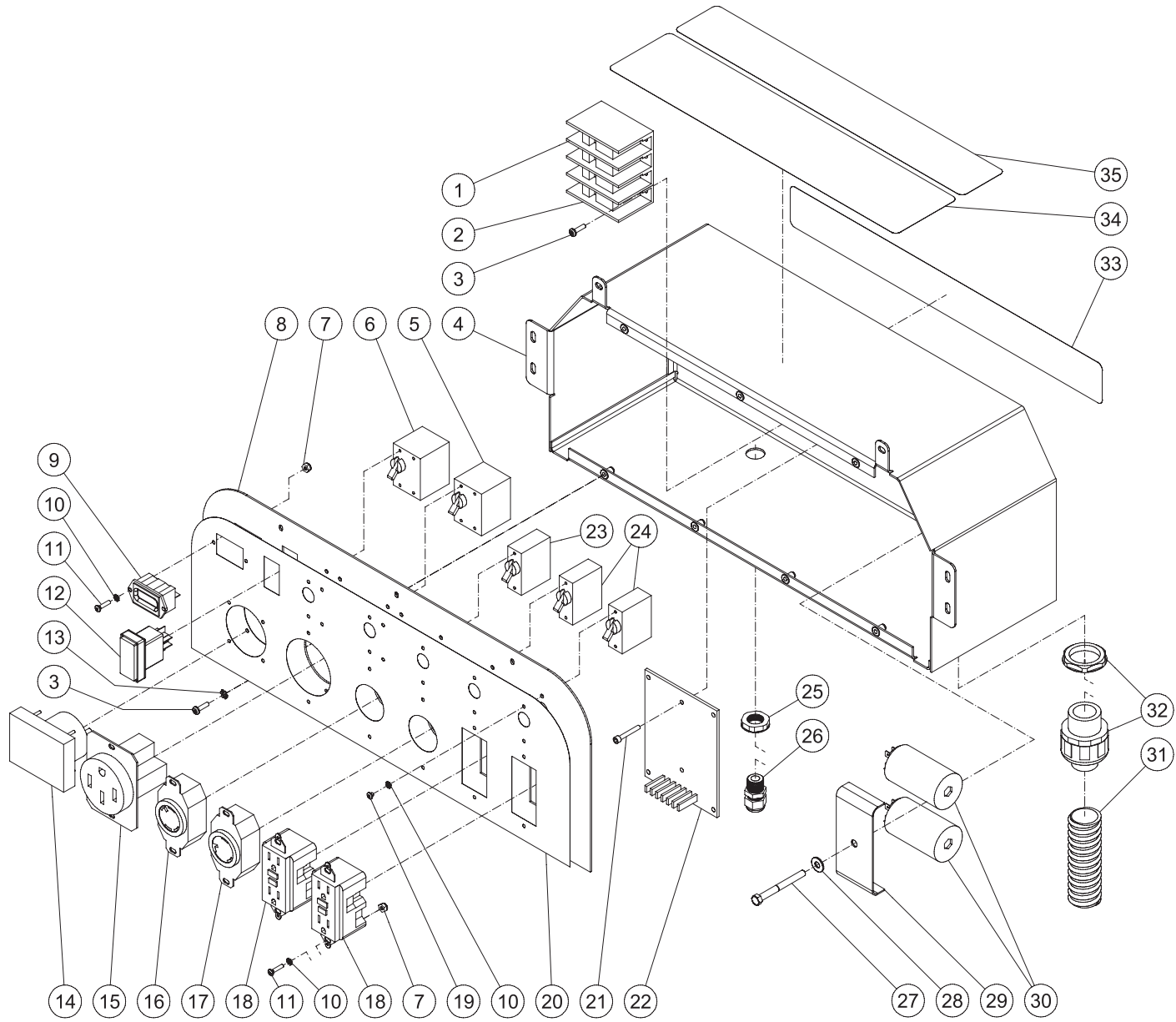
850-0395 110811 CH			
FRAME ASSEMBLY			
ITEM	DESCRIPTION	PART #	QTY
1	SPARK ARRESTOR	45-0110	1
2	FUEL HOSE *(SIX FEET REQUIRED)	15-0261	1
3	AIR CLEANER ADAPTER	62-0229	1
4	DRAIN HOSE	70-0555	1
5	ENGINE - HONDA GX630	1-0188	1
6	MUFFLER	45-0162	1
*MUST ORDER IN ONE FOOT LENGTHS			

ENGINE ASSEMBLY (850-0357)



850-0357 040511 CH			
ENGINE ASSEMBLY			
ITEM	DESCRIPTION	PART #	QTY
1	DRAIN HOSE	70-0504	1
2	FUEL HOSE *(FIVE FEET REQUIRED)	15-0008	1
3	ENGINE - SUBARU 22.0HP	1-0158	1
4	MUFFLER ASSEMBLY	45-0118	1

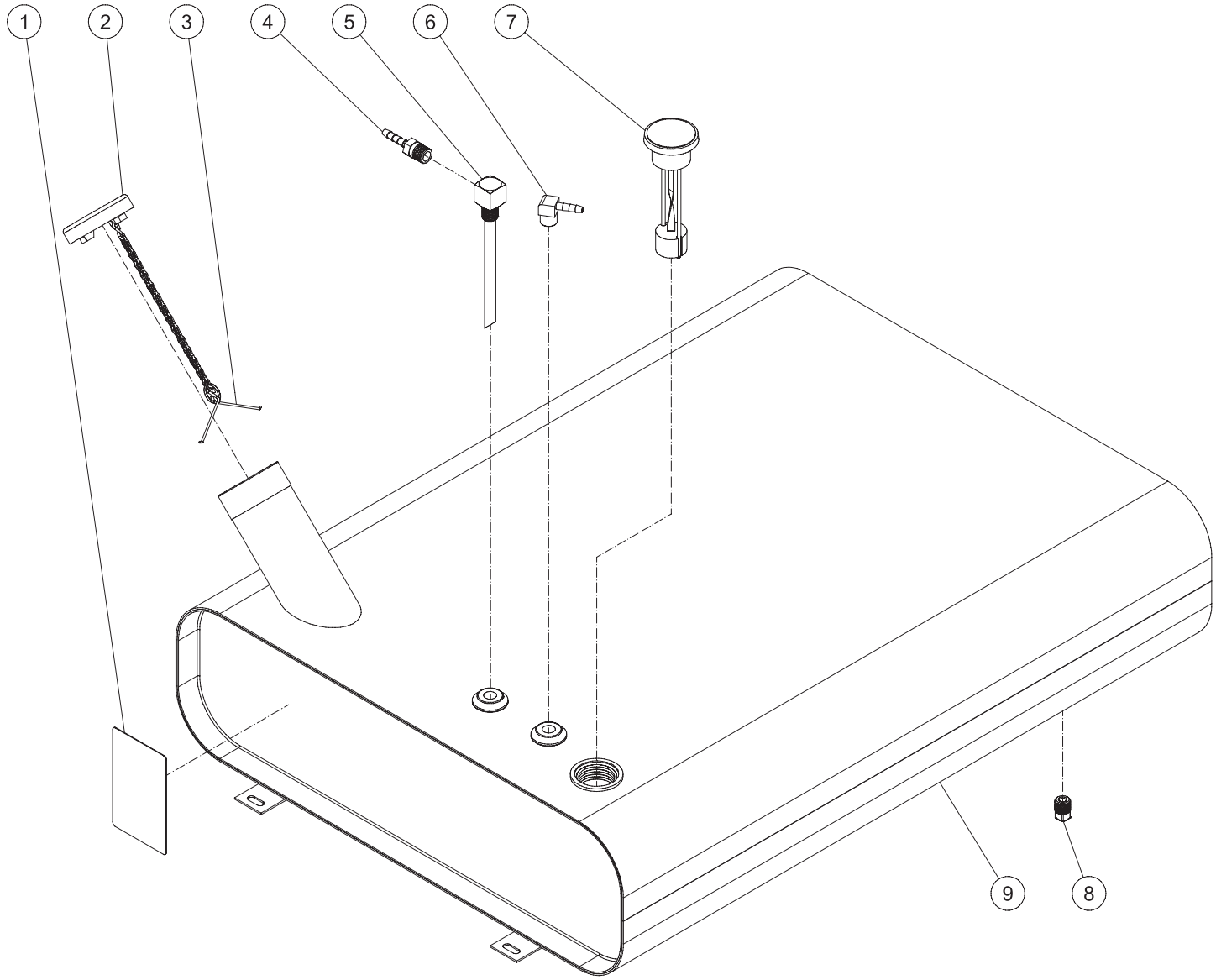
ELECTRIC BOX ASSEMBLY



GEN-13000-14000 ELECTRIC BOX ASSY-011712-CH

GEN-13000_14000 ELECTRIC BOX ASSEMBLY 011712 CH			
ELECTRIC BOX ASSEMBLY			
ITEM	DESCRIPTION	PART #	QTY
1	POWER BLOCK 3-POLE	32-0905	1
2	POWER BLOCK ADDER	32-0912	1
3	SCREW	27-8942	11
4	ELECTRIC BOX	20-1114A01	1
5	TOGGLE BREAKER - 30A	32-0837	1
6	TOGGLE BREAKER - 50A	32-0902	1
7	LOCKNUT	30-0152	16
8	CONTROL PANEL	20-1115A01	1
9	HOUR METER	32-0668	1
10	LOCKWASHER	29-1013	26
11	SCREW	27-8881	12
12	ROCKER SWITCH	32-0626	1
13	STAR WASHER	28-1009	7
14	VOLT METER	32-0838	1
15	120/240V-50A RECEPTACLE	32-0904	1
16	125/250 VOLT RECEPTACLE	32-0831	1
17	120V-30A RECEPTACLE	32-0832	1
18	GFCI DUPLEX RECEPTACLE	32-0830	2
19	SCREW	27-9574	14
20	DECAL- CONTROL PANEL (SEE 71-0021)	N/A	1
21	BOLT	27-0740	2
22	IDLE DOWN BOARD	32-0896	1
23	TOGGLE BREAKER - 30A	32-0836	1
24	TOGGLE BREAKER - 20A	32-0834	2
25	ELECTRICAL LOCKNUT	32-0587	1
26	STRAIN RELIEF	32-0586	1
27	BOLT	27-0022	1
28	WASHER	28-0002	1
29	CAPACITOR CLAMP BRACKET	20-0797A01	1
30	CAPACITOR	32-0846	2
31	CONDUIT FLEX *(ONE FOOT REQUIRED)	32-0908	1
32	STRAIGHT CONDUIT FITTING	32-0996	1
33	DECAL- CARBON MONOXIDE (SEE 71-0021)	N/A	1
34	DECAL- OPERATION (SEE 71-0021)	N/A	1
35	DECAL- WARNING SHOCK (SEE 71-0021)	N/A	1
-	GENERATOR WIRING KIT - 12K (NOT SHOWN)	32-9109	1
*MUST ORDER IN ONE FOOT LENGTHS			

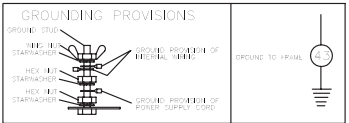
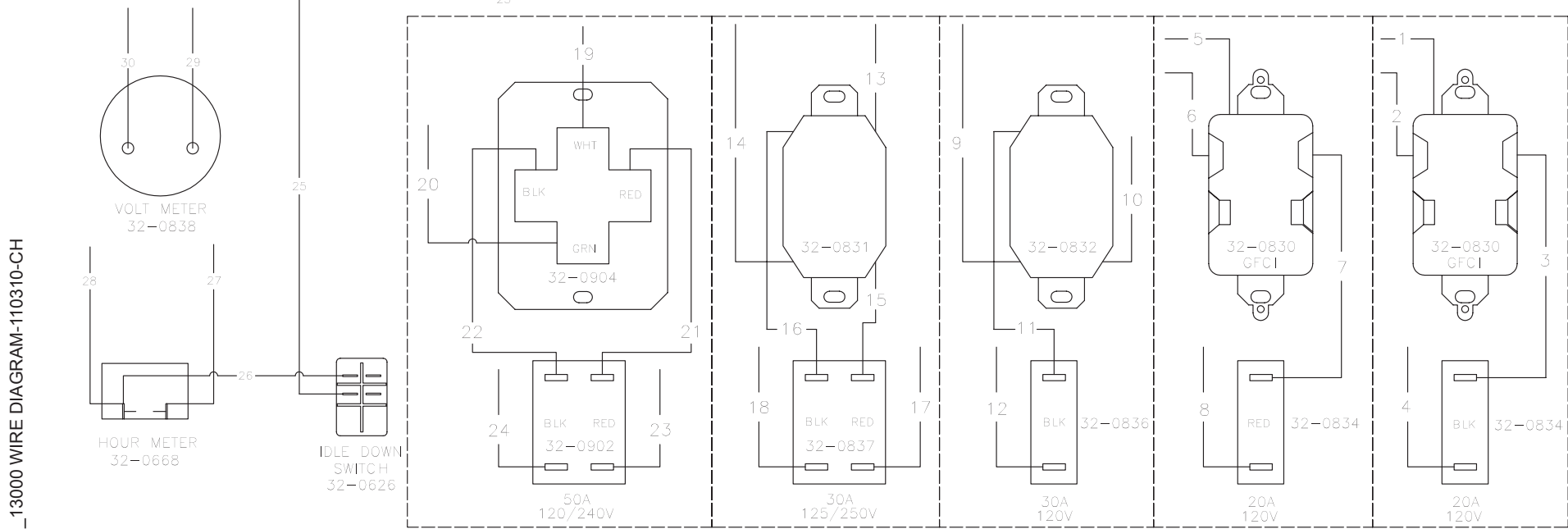
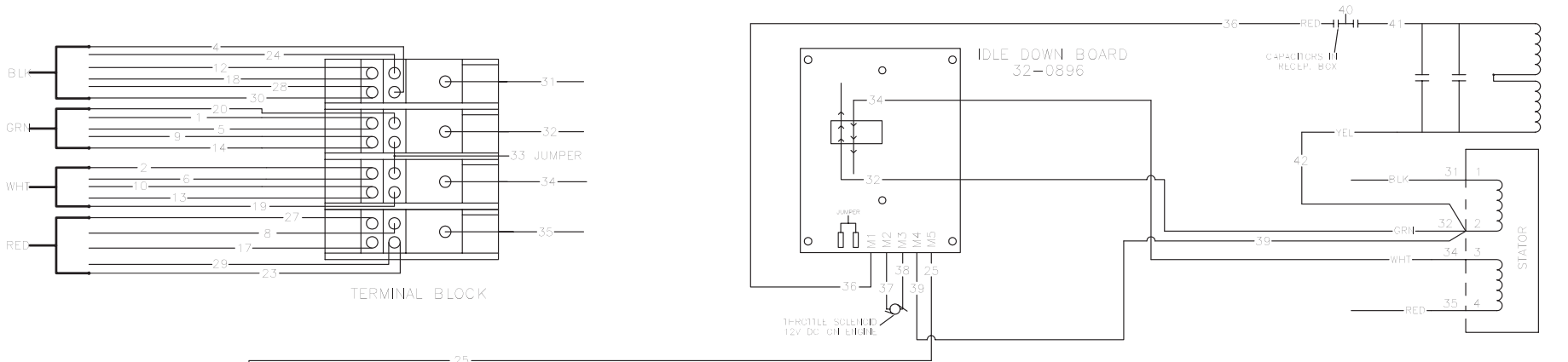
GAS TANK ASSY



856-0019 101613 CH

856-0019 101613 MLK			
GAS TANK ASSEMBLY			
ITEM	DESCRIPTION	Mi-T-M #	QTY
1	DECAL- CAUTION: GASOLINE ONLY	34-1180	1
2	FUEL CAP	12-0229	1
3	FUEL CAP CATCH	12-0228	1
4	BARB	23-0051	1
5	FUEL PICK UP	33-0271	1
6	ELBOW	23-0054	1
7	FUEL GAUGE	12-0184	1
8	PLUG	24-0009	1
9	FUEL TANK	12-0207A09	1

WIRE DIAGRAM



GEN-12000_13000 WIRE DIAGRAM-110310-CH

Manufactured by Mi-T-M
8650 Enterprise Drive, Peosta IA 52068
563-556-7484/ Fax 563-556-1235