



PARTS LIST FOR
WLP-20AB-0M11
WLP-20AB-0M31
WATER RECYCLING TREATMENT SYSTEM

Congratulations on the purchase of your new Mi-T-M water recycling treatment system! This parts listing has been compiled for your benefit. You can be assured your Mi-T-M water recycling treatment system was constructed and designed with quality and performance in mind. Each component has been rigorously tested to insure the highest level of acceptance.

The contents of this parts listing are based on the latest product information available at the time of publication. Mi-T-M reserves the right to make changes in price, color, materials, equipment, specifications or models at any time without notice.

WARNING

THIS IS A PROFESSIONAL WATER RECYCLING TREATMENT SYSTEM. CAUTION SHOULD BE OBSERVED WHEN USING OR REPAIRING THIS UNIT! READ AND FOLLOW THE SAFETY WARNINGS LISTED BELOW BEFORE ATTEMPTING ANY REPAIRS ON THIS WATER RECYCLING TREATMENT SYSTEM!

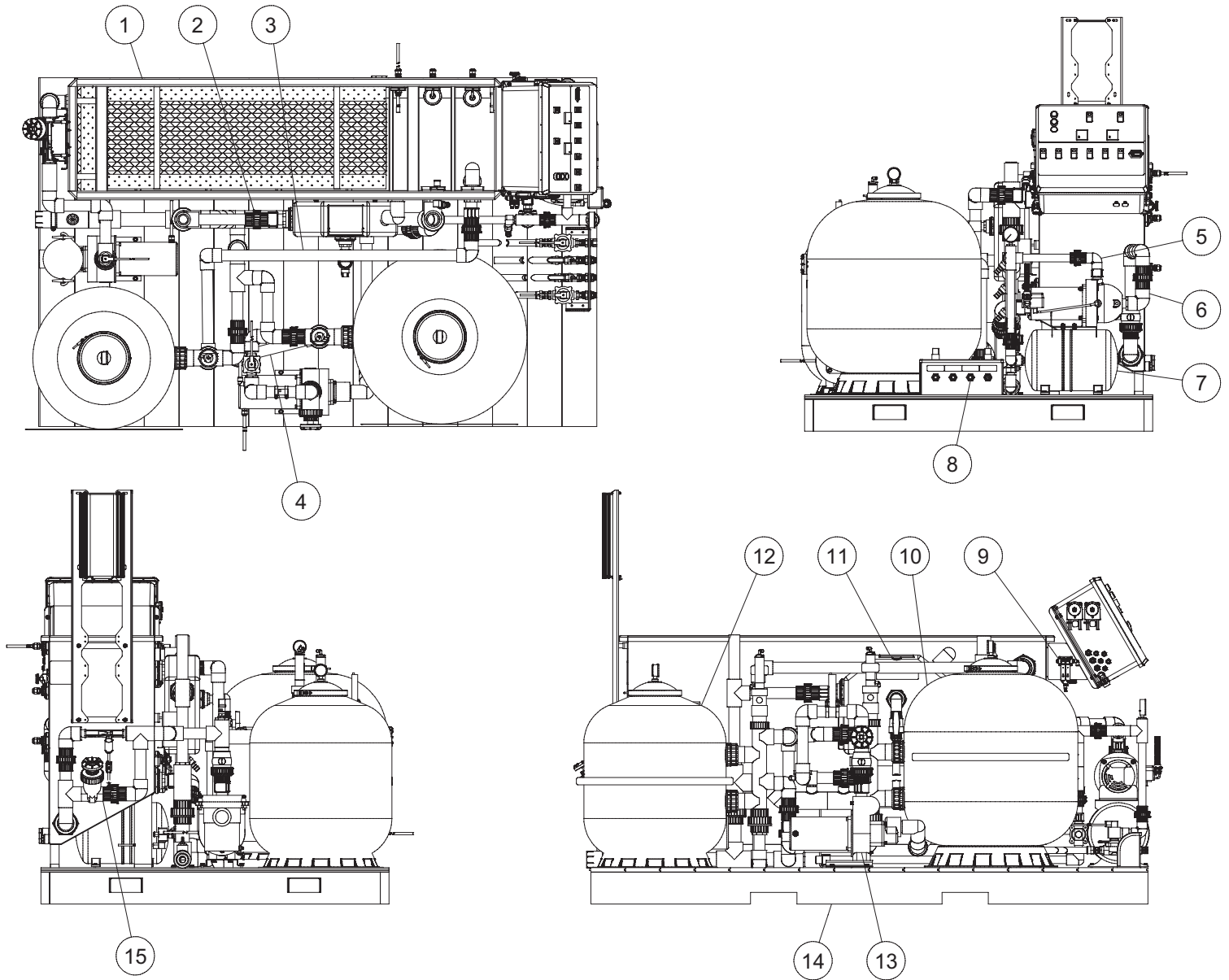
SAFETY WARNINGS

1. Serious injury or death could occur if the water recycling treatment system is not properly grounded. Your water recycling treatment system is powered by electricity and may cause electric shock or electrocution if not installed properly. Installation to this unit, including all electrical connections, must comply with all local, state and national codes. Any electrical wiring or repairs performed on this water recycling treatment system should be done by Authorized Service Personnel in accordance with National and Local electrical codes.
2. NEVER alter or modify the equipment. Use only genuine Mi-T-M parts for repair of your water recycling treatment system. Failure to do so can cause hazardous operating conditions and will VOID warranty.
3. Know how to stop and bleed pressures quickly. Be thoroughly familiar with controls. Do not operate without protective cover/guards. Follow the maintenance instructions specified in your operator's manual.
4. Before servicing, ALWAYS shut off the water and the unit. Allow the unit to cool down and drain the water. NEVER assume the water recycling treatment system is safe to work on just because it is not operating. It could restart at any time! ALWAYS disconnect from the power source.
5. Be especially careful it properly dispose of any flammable materials. Consult Materials Safety Data Sheets for safe handling of chemicals used with your system, especially oxidizers and acids.

Table of Contents

MAIN ASSEMBLY	4
INLET PUMP ASSEMBLY	6
SUMP PUMP (3-0328 SINGLE PHASE) (3-0317 THREE PHASE)	8
TANK ASSEMBLY	10
AIR CONTROL SYSTEM	12
OIL DECANter ASSEMBLY	14
FILTER PUMP ASSEMBLY	16
FILTER PUMP (3-0328 SINGLE PHASE) (3-0317 THREE PHASE)	18
SOLENOID 1" FNPT (22-0441)	20
MEDIA FILTER ASSEMBLY	21
30" MEDIA FILTER SIDE MOUNT (19-0561)	22
SLIDE VALVE ASSEMBLY	23
2" SLIDE VALVE (55-0101)	24
MEDIA FILTER TO POLISHING FILTER	25
POLISHING FILTER ASSEMBLY	26
24" MEDIA FILTER SIDE MOUNT (19-0560)	27
POLISHING FILTER TO PRODUCT TANK	28
TRANSFER PUMP INLET	29
TRANSFER PUMP TO PRESSURE TANK	30
TRANSFER PUMP AND PRESSURE TANK ASSEMBLY	32
TRANSFER PUMP (THREE PHASE) (3-0321)	33
TRANSFER PUMP (SINGLE PHASE) (3-0181)	34
MANIFOLD ASSEMBLY	36
DRAIN ASSEMBLY	38
OZONE GENERATOR	40
CONTROL PANEL	42
CONTROL PANEL PLATE ASSEMBLY	44
PH / ORP PUMP (3-0316)	46
SUMP PIT ASSEMBLY	47
LADDER DIAGRAM (SINGLE PHASE)	48
WIRE DIAGRAM (SINGLE PHASE)	49
LADDER DIAGRAM (THREE PHASE)	50
WIRE DIAGRAM (THREE PHASE)	51

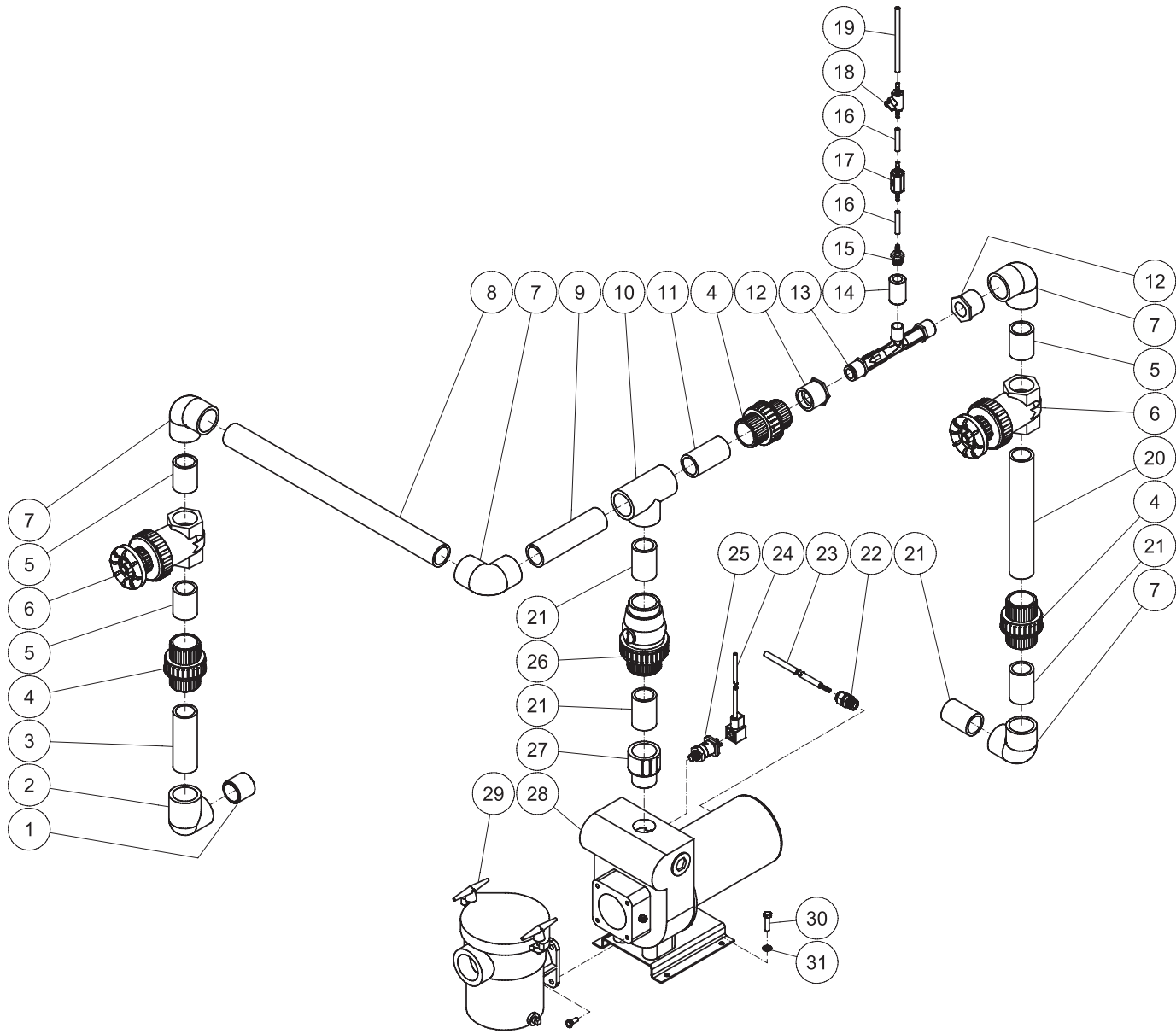
MAIN ASSEMBLY



WLP-20AB-0M11_0M31-060310-PJH

WLP-20AB-0M11_0M31 060310-PJH			
MAIN ASSEMBLY			
ITEM	DESCRIPTION	Mi-T-M #	QTY
1	TANK ASSEMBLY - WLP-20AB-0M11 (0M31)	N/A SEP	1
2	DRAIN ASSEMBLY - WLP-20AB-0M11 (0M31)	N/A SEP	1
3	POLISHING FILTER TO PRODUCT TANK - WLP-20AB-0M11 (0M31)	N/A SEP	1
4	MEDIA FILTER TO POLISHING FILTER - WLP-20AB-0M11 (0M31)	N/A SEP	1
5	OUTLET PLUMBING - WLP-20AB-0M11 (0M31)	N/A SEP	1
6	TRANSFER PUMP INLET - WLP-20AB-0M11 (0M31)	N/A SEP	1
7	TRANSFER PUMP & PRESSURE TANK ASS'Y - WLP-20AB-0M11 (0M31)	N/A SEP	1
8	MANIFOLD ASSEMBLY - WLP-20AB-0M11 (0M31)	N/A SEP	1
9	AIR CONTROL SYSTEM - WLP-40AB-0M11 / 0M31	N/A SEP	1
10	MEDIA FILTER ASSEMBLY - WLP-20AB-0M11 / 0M31	N/A SEP	1
11	OIL DECANTER ASSEMBLY - WLP-40AB-0M11 / 0M31	N/A SEP	1
12	POLISHING FILTER ASSEMBLY - WLP-20AB-0M11 / 0M31	N/A SEP	1
13	FILTER PUMP ASSEMBLY - WLP-20AB-0M11 (0M31)	N/A SEP	1
14	5' X 8' PALLET	35-0034	1
15	INLET ASSEMBLY - WLP-20AB-0M11 (0M31)	N/A SEP	1

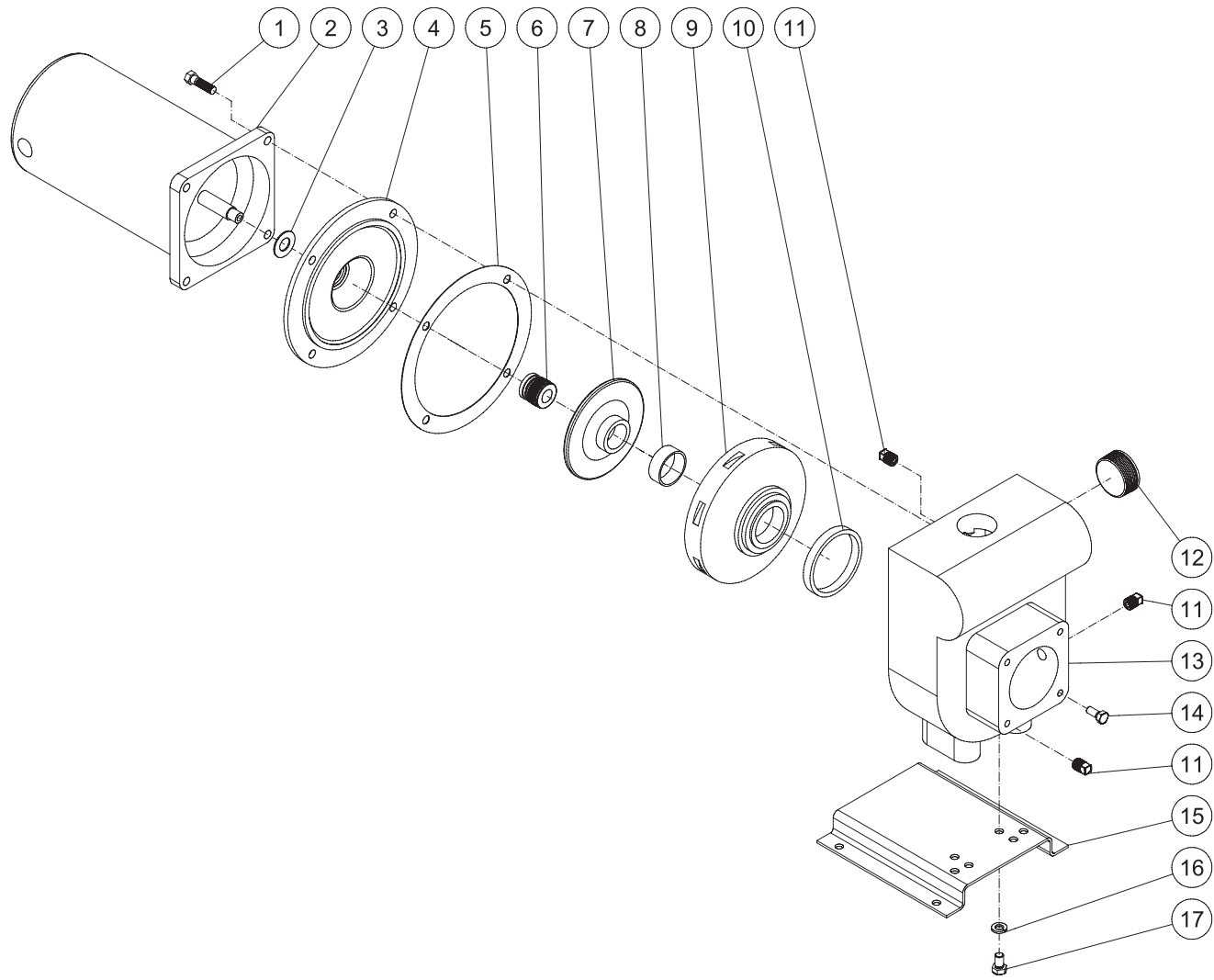
INLET PUMP ASSEMBLY



INLET PUMP ASSY WLP-20AB-0M11_0M31-060110-PJH

INLET PUMP ASSEMBLY 060110-PJH			
INLET PUMP ASSEMBLY			
ITEM	DESCRIPTION	PART #	QTY
1	NIPPLE	55-1674	1
2	ELBOW	55-1610	1
3	PIPE *(1 1/2" X 5 1/4")	55-1600	1
4	UNION	55-1645	3
5	PIPE *(1 1/2" X 2 3/8")	55-1600	3
6	GATE VALVE	55-1671	2
7	ELBOW	55-1609	4
8	PIPE *(1 1/2" X 23")	55-1600	1
9	PIPE *(1 1/2" X 7")	55-1600	1
10	TEE	55-1601	1
11	PIPE *(1 1/2" X 3 1/2")	55-1600	1
12	REDUCER	55-1629	2
13	MAZZEI	55-0015	1
14	COUPLER	55-0815	1
15	HOSE BARB	55-0023	1
16	HOSE *(ONE FOOT REQUIRED)	15-0226	2
17	CHECK VALVE	22-0286	1
18	VALVE	22-0074	1
19	HOSE	15-0226	1
20	PIPE *(1 1/2" X 11 1/8")	55-1600	1
21	PIPE *(1 1/2" X 2 3/4")	55-1600	4
22	STRAIN RELIEF	32-0437	1
23	CORD (1 PHASE)	32-0074	1
-	CORD (3 PHASE)	32-0247	1
24	CORDSET	32-0786	1
25	PRESSURE SWITCH	22-0381	1
26	CHECK VALVE	55-1652	1
27	ADAPTER	55-1622	1
28	PUMP (1 PHASE)	3-0328	1
-	PUMP (3 PHASE)	3-0317	1
29	TRAP & BASKET	33-0491	1
30	BOLT	27-5276	4
31	WASHER	28-0122	4
*MUST ORDER IN ONE FOOT LENGTHS			

SUMP PUMP (3-0328 SINGLE PHASE) (3-0317 THREE PHASE)

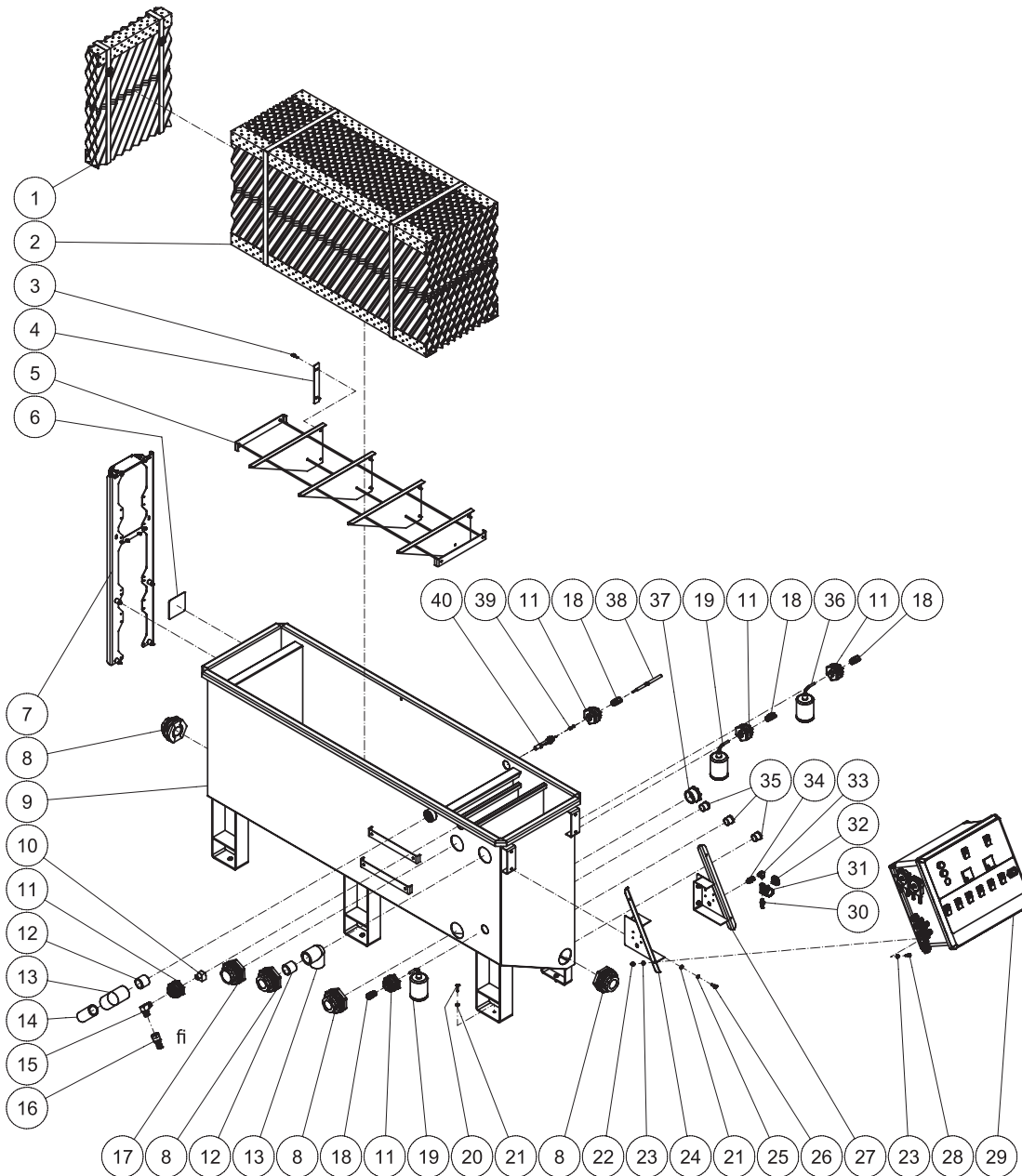


3-0328 081109 PJH

3-0328_3-0317 071410-PJH

SUMP PUMP			
ITEM	DESCRIPTION	Mi-T-M #	QTY
1	BOLT	27-0118	4
2	PUMP/FILTER	N/A	1
3	WATER SLINGER	46-1386	1
4	SEAL PLATE	N/A	1
5	GASKET	26-0353	1
6	SHAFT SEAL	26-0354	1
7	IMPELLER	N/A	1
8	WEAR RING	46-1387	1
9	DIFFUSER	N/A	1
10	DIFFUSER RING	46-1388	1
11	PLUG	24-0009	3
12	PLUG	24-0309	1
13	PUMP BODY	N/A	1
14	BOLT	27-0066	4
15	BASE	N/A	1
16	LOCKWASHER	29-0008	2
17	BOLT	N/A	2
-	COMPLETE PUMP (SINGLE PHASE)	3-0328	
-	COMPLETE PUMP (THREE PHASE)	3-0317	

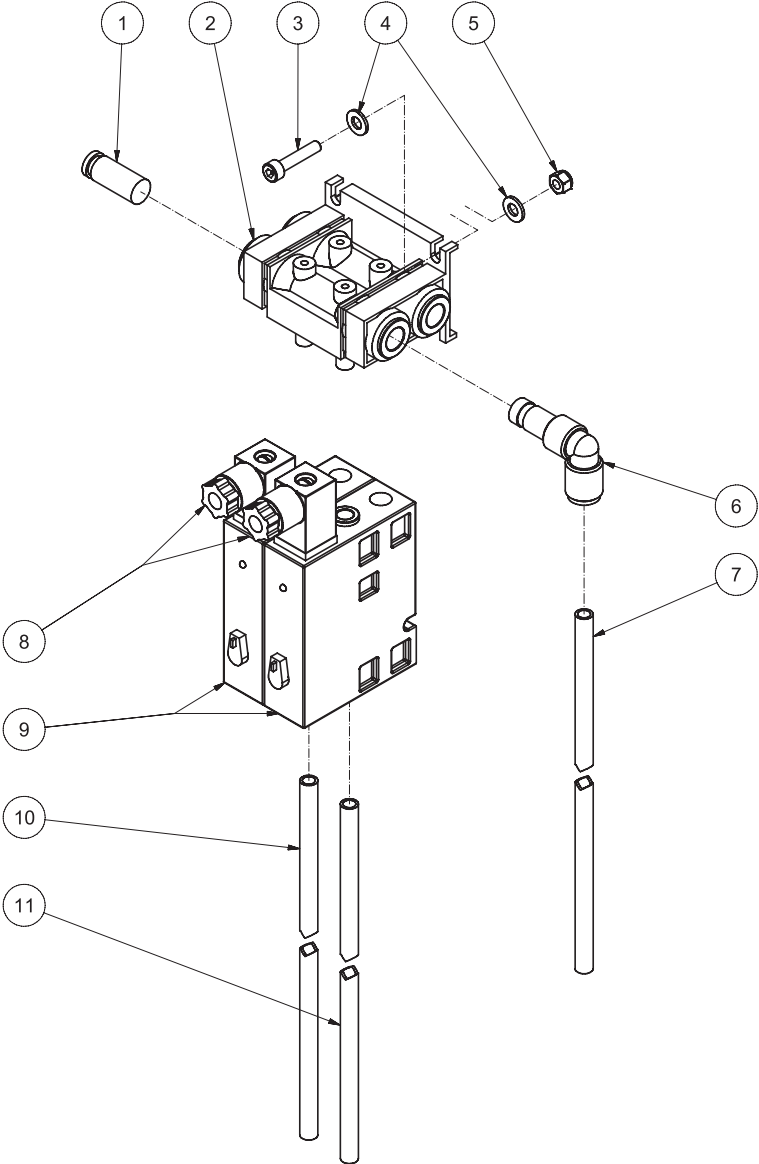
TANK ASSEMBLY



TANK ASSY WLP-20AB-0M11_0M31-060110-PJH

TANK ASSEMBLY WLP-20AB-0M11_0M31 060110-PJH			
TANK ASSEMBLY			
ITEM	DESCRIPTION	PART #	QTY
1	COALESCING PACK	855-0002	1
2	COALESCING PACK	855-0001	1
3	THUMB SCREW	27-6200	8
4	BAFFLE PLATE	21-0121	4
5	BAFFLE ASSEMBLY	21-0106	1
6	DECAL - NONPOTABLE WATER (SEE 34-9010)	34-0868	1
7	OZONE GENERATOR ASSEMBLY	N/A	1
8	BULKHEAD (INC. 25-0481 GASKET)	55-1686	4
9	TANK	12-0070	1
10	ELBOW	23-0035	1
11	BULKHEAD (INC. 25-0506 GASKET)	55-0886	5
12	NIPPLE	55-1674	2
13	ELBOW	55-1610	2
14	PIPE *(1 1/2" X 4") *(ONE FOOT REQUIRED)	55-1600	1
15	ELBOW	23-0363	1
16	HOSE BARB	23-0358	1
17	BULKHEAD (INC. 25-0481 GASKET)	55-1886	1
18	STRAIN RELIEF	32-0437	4
19	FLOAT	32-0527	2
20	BOLT	27-5277	6
21	WASHER	28-0122	10
22	NUT	30-5202	4
23	WASHER	28-0121	8
24	BRACKET	21-0111	1
25	LOCKWASHER	29-1007	4
26	BOLT	27-5066	4
27	BRACKET	21-0110	1
28	BOLT	27-5016	4
29	CONTROL PANEL ASSEMBLY	N/A	1
30	QUICK CONNECT	17-0049	1
31	REGULATOR	22-0326	1
32	PRESSURE GAUGE	22-0257	1
33	ELBOW	23-0130	1
34	BULKHEAD	55-0092	1
35	PLUG	55-1240	4
36	FLOAT	32-0529	1
37	PLUG	55-1840	1
38	CORD *(SIX FEET REQUIRED)	32-0075	1
39	CONNECTOR - BUTT	32-0122	2
40	SWITCH	32-0533	1
*MUST ORDER IN ONE FOOT LENGTHS			

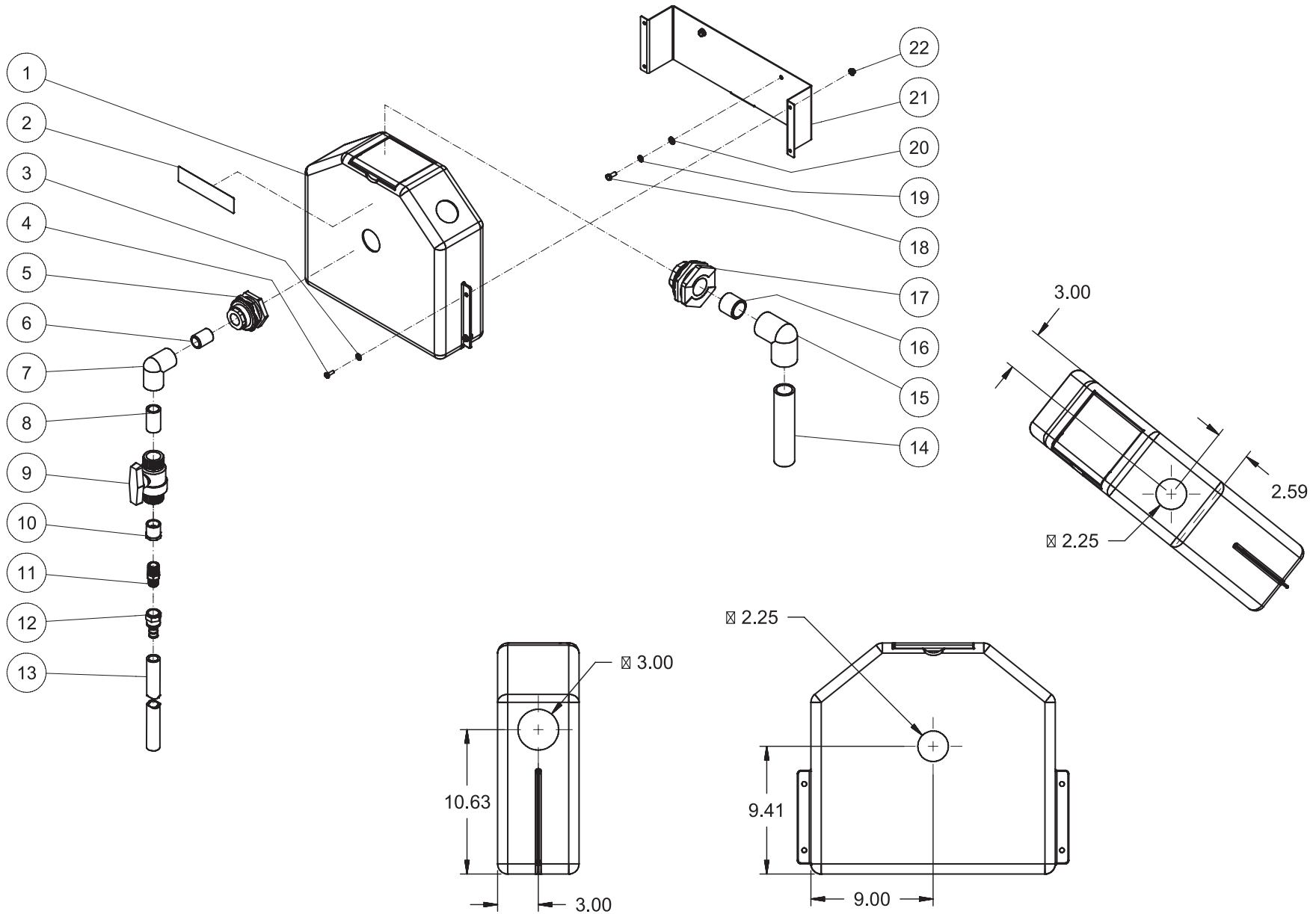
AIR CONTROL SYSTEM



AIR CONTROL SYSTEM-WLP-20AB-0M11_0M31 052510-PJH

AIR CONTROL SYSTEM WLP-20AB-0M11_0M31 052510 PJH			
AIR CONTROL SYSTEM			
ITEM	DESCRIPTION	PART #	QTY
1	PLUG	N/A	1
2	AIR MANIFOLD	22-0356	1
3	BOLT	27-8930	4
4	WASHER	28-0010	8
5	LOCKNUT	30-8152	4
6	ELBOW	55-0091	1
7	HOSE *(TWO FEET REQUIRED)	15-0240	1
8	DIN CORD	32-0772	2
9	AIR CONTROL VALVE	22-0443	2
10	HOSE *(TWELVE FEET REQUIRED)		
11	HOSE *(FOURTEEN FEET REQUIRED)	15-0240	2
*MUST ORDER IN ONE FOOT LENGTHS			

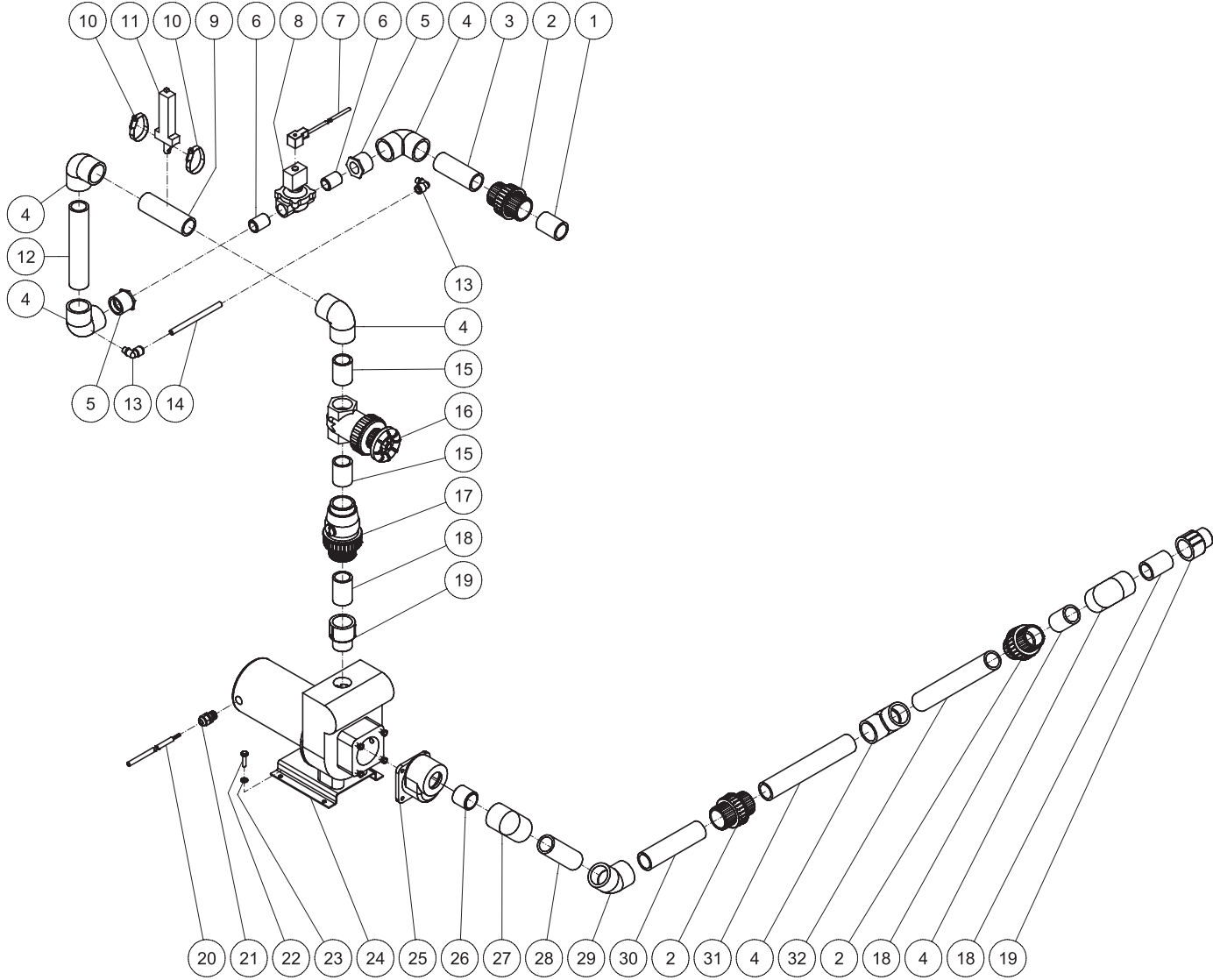
OIL DECANTER ASSEMBLY



OIL DECANTER ASSY-WLP-40AB-0M11_0M31 052510-PJH

OIL DECANTER WLP-40AB-0M11_0M31 052510 PJH			
OIL DECANTER ASSEMBLY			
ITEM	DESCRIPTION	PART #	QTY
1	TANK	12-0124	1
2	DECAL - OIL DECANTER	N/A	1
3	WASHER	28-0121	4
4	BOLT	27-5016	4
5	BULKHEAD (INC. 25-042 GASKET)	55-1286	1
6	NIPPLE	55-1274	1
7	ELBOW	55-1210	1
8	PIPE *(1" X 2 1/4") *(ONE FOOT REQUIRED)	55-1200	1
9	BALL VALVE	55-1255	1
10	REDUCER	55-1228	1
11	NIPPLE	23-0362	1
12	HOSE BARB	23-0358	1
13	HOSE *(SEVEN FEET REQUIRED)	15-0033	1
14	PIPE *(1 1/2" X 8") *(ONE FOOT REQUIRED)	55-1600	1
15	ELBOW	55-1610	1
16	NIPPLE	55-1674	1
17	BULKHEAD (INC. 25-0481 GASKET)	55-1686	1
18	BOLT	27-5066	2
19	LOCKWASHER	29-0007	2
20	WASHER	28-0122	2
21	MOUNTING BRACKET	21-0172	1
22	NUT	30-5202	4

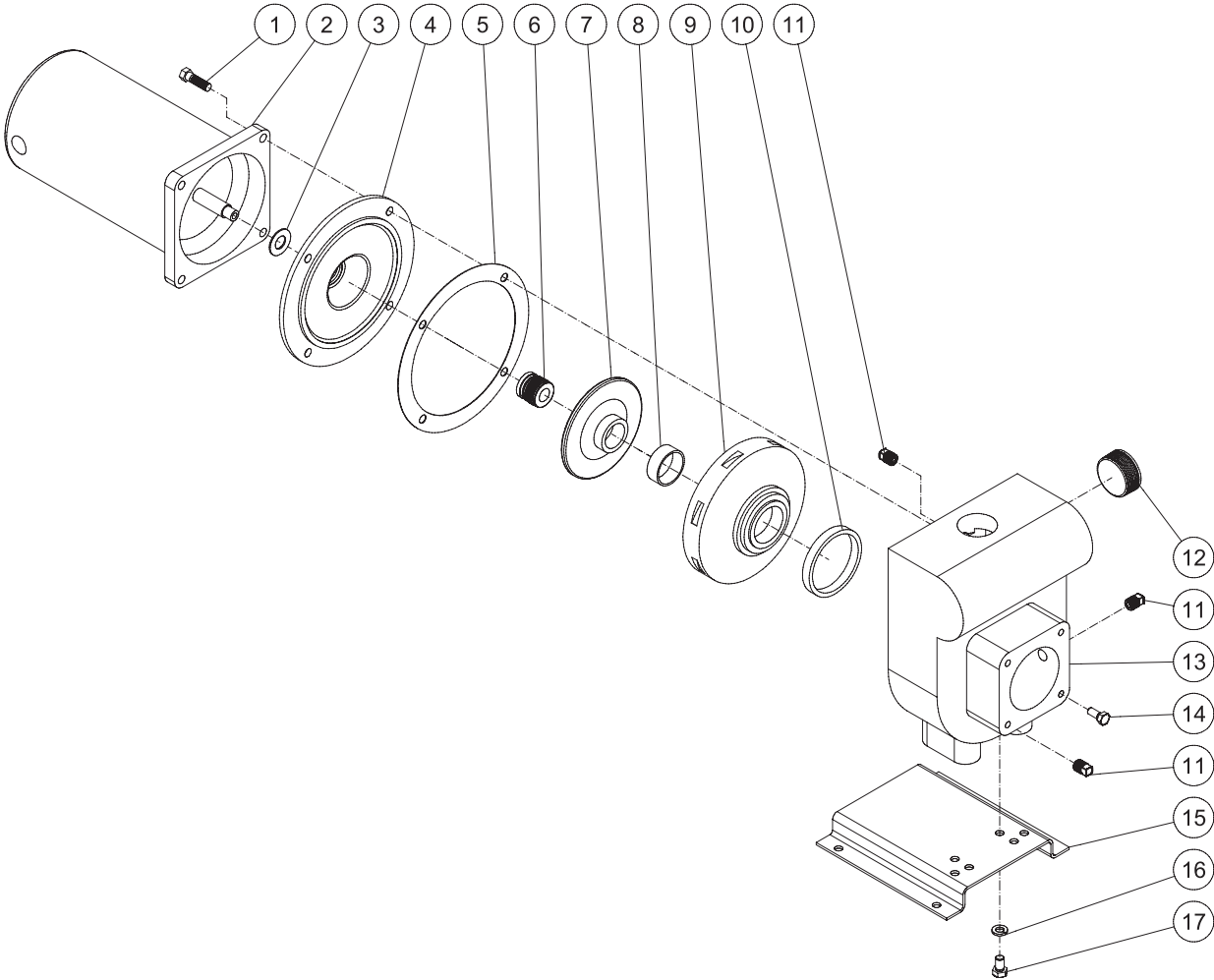
FILTER PUMP ASSEMBLY



FILTER PUMP ASSY - WLP-20AB-0M11_0M31 060110-PJH

FILTER PUMP ASSEMBLY WLP-20AB-0M11_0M31 060110 PJH			
FILTER PUMP ASSEMBLY			
ITEM	DESCRIPTION	PART #	QTY
1	PIPE *(1 1/2" X 2 1/2")	55-1600	1
2	UNION	55-1645	3
3	PIPE *(1 1/2" X 5")	55-1600	1
4	ELBOW	55-1609	6
5	REDUCER	55-1629	2
6	NIPPLE	55-1274	2
7	CORDSET	32-0786	1
8	SOLENOID	22-0441	1
9	PIPE *(1 1/2" X 6")	55-1685	1
10	HOSE CLAMP	42-0027	2
11	FLOW METER	55-0016	1
12	PIPE *(1 1/2" X 9 1/4")	55-1600	1
13	ELBOW	55-0108	2
14	TUBE	15-0252	1
15	PIPE *(1 1/2" X 2 3/8")	55-1600	2
16	GATE VALVE	55-1671	1
17	CHECK VALVE	55-1652	1
18	PIPE *(1 1/2" X 2 3/4")	55-1600	3
19	ADAPTER	55-1622	2
20	CORD (1 PHASE)	32-0074	1
-	CORD (3 PHASE)	32-0247	1
21	STRAIN RELIEF	32-0437	1
22	BOLT	27-5276	4
23	WASHER	28-0122	4
24	PUMP (1 PHASE)	3-0328	1
-	PUMP (3 PHASE)	3-0317	1
25	FLANGE	33-0490	1
26	NIPPLE	55-1674	1
27	ELBOW	55-1610	1
28	PIPE *(1 1/2" X 5 1/2")	55-1600	1
29	ELBOW	55-1612	1
30	PIPE *(1 1/2" X 7 1/2")	55-1600	1
31	PIPE *(1 1/2" X 11 1/2")	55-1600	1
32	PIPE *(1 1/2" X 14")	55-1600	1

FILTER PUMP (3-0328 SINGLE PHASE) (3-0317 THREE PHASE)

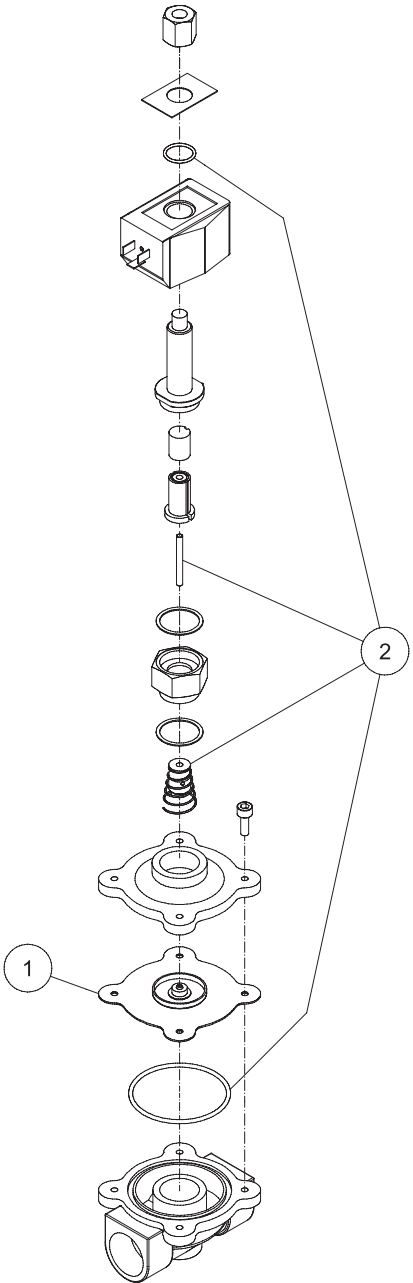


3-0328-081109-PJH

3-0328_3-0317 071410-PJH

SUMP PUMP			
ITEM	DESCRIPTION	Mi-T-M #	QTY
1	BOLT	27-0118	4
2	PUMP/FILTER	N/A	1
3	WATER SLINGER	46-1386	1
4	SEAL PLATE	N/A	1
5	GASKET	26-0353	1
6	SHAFT SEAL	26-0354	1
7	IMPELLER	N/A	1
8	WEAR RING	46-1387	1
9	DIFFUSER	N/A	1
10	DIFFUSER RING	46-1388	1
11	PLUG	24-0009	3
12	PLUG	24-0309	1
13	PUMP BODY	N/A	1
14	BOLT	27-0066	4
15	BASE	N/A	1
16	LOCKWASHER	29-0008	2
17	BOLT	N/A	2
-	COMPLETE PUMP (SINGLE PHASE)	3-0328	
-	COMPLETE PUMP (THREE PHASE)	3-0317	

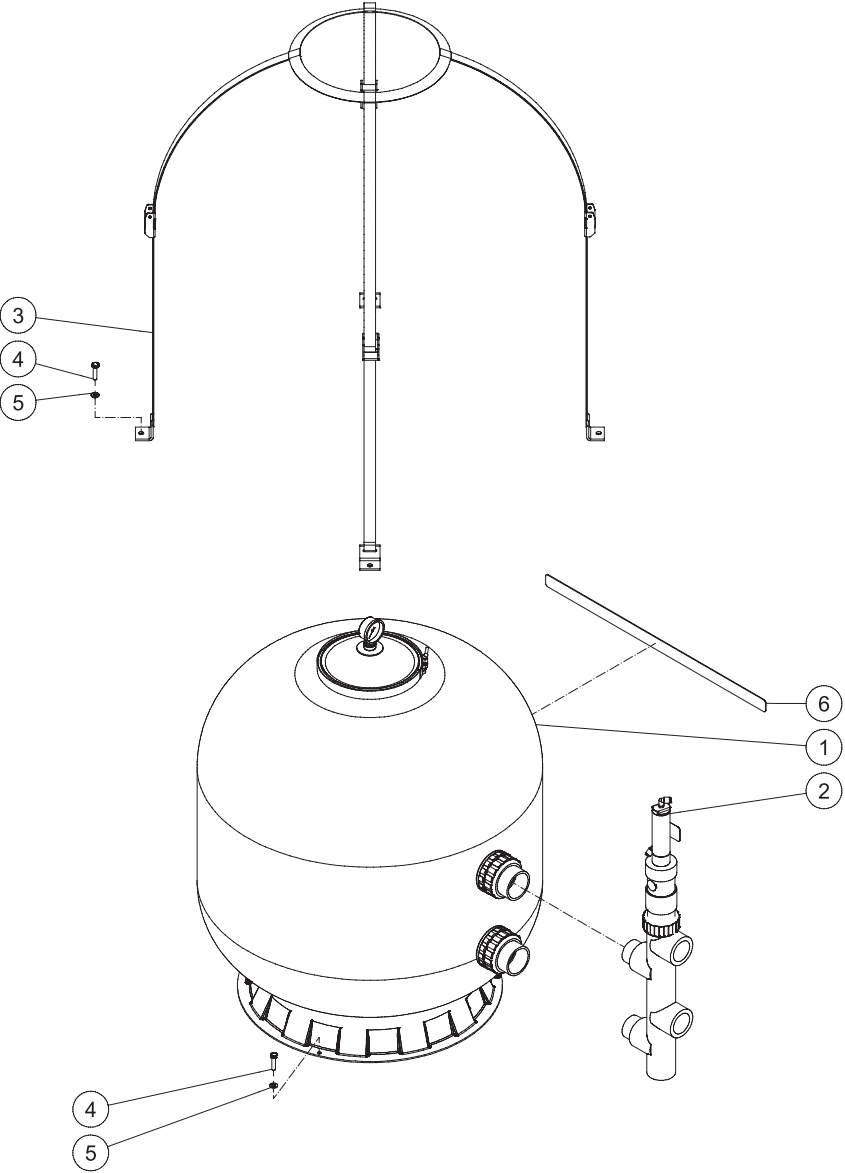
SOLENOID 1" FNPT (22-0441)



22-0441 041910-PJH			
SOLENOID 1" FNPT			
1	KIT - REPLACEMENT DIAPHRAGM	70-0492	1
2	KIT - REPLACEMENT O-RINGS, SPRING, & PLUNGER	70-0493	1

22-0441 - 041910 - PJH

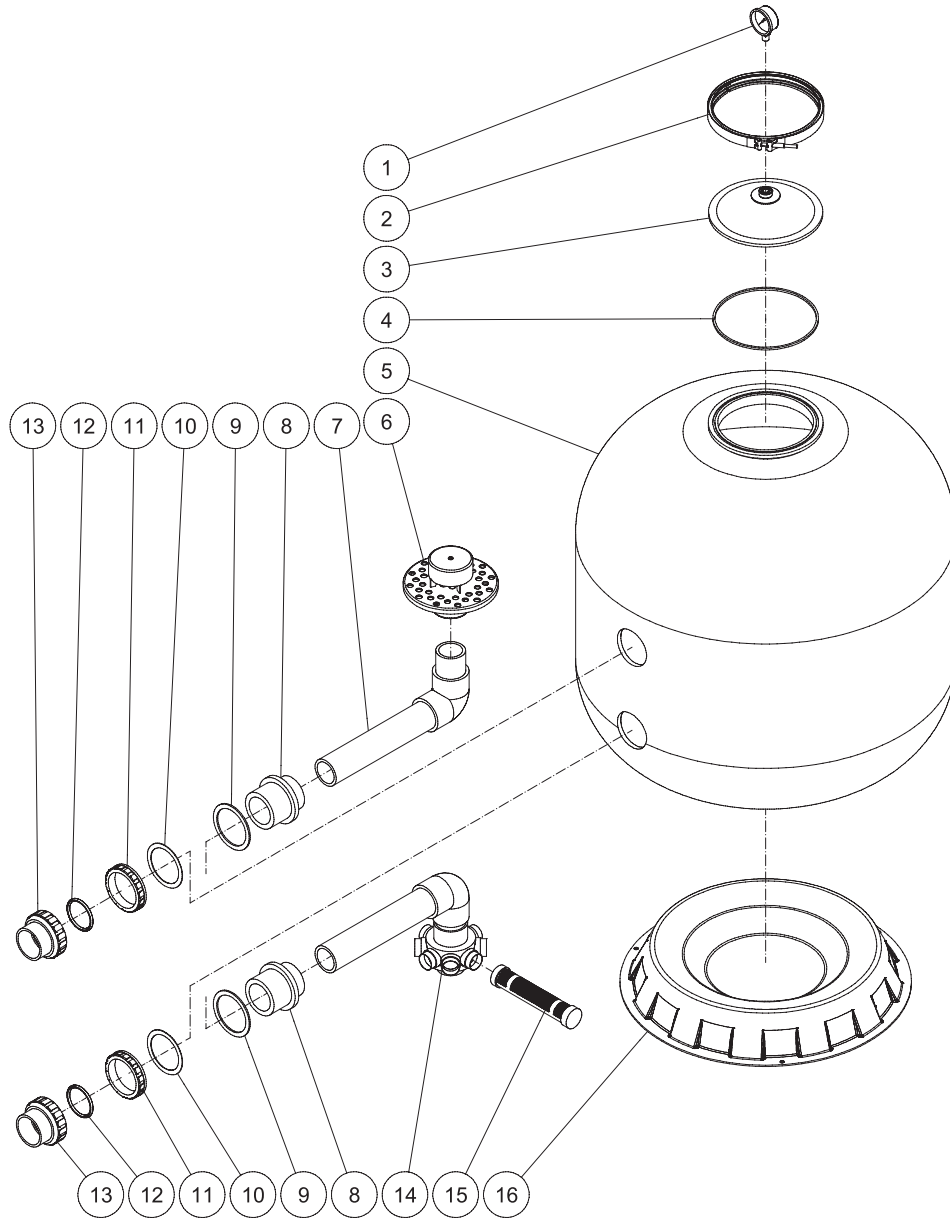
MEDIA FILTER ASSEMBLY



MEDIA FILTER ASSEMBLY WLP-20AB-0M11_0M31 060210-PJH			
MEDIA FILTER ASSEMBLY			
ITEM	DESCRIPTION	Mi-T-M #	QTY
1	MEDIA FILTER	19-0561	1
2	VALVE ASSEMBLY	N/A	1
3	STRAP	33-0315	1
4	BOLT	27-5276	7
5	WASHER	28-0122	7
6	DECAL - MULTI MEDIA FILTER (SEE 34-9010)	34-0874	1
-	GRAVEL (2 BAGS)	33-0303	200
-	GARNET #80 (4 BAGS)	33-0403	200
-	GARNET #12 (1 BAG)	33-0304	100
-	FILTER AG (1 BAG)	33-0306	50

MEDIA FILTER WLP-20AB-0M11_0M31-060210-PJH

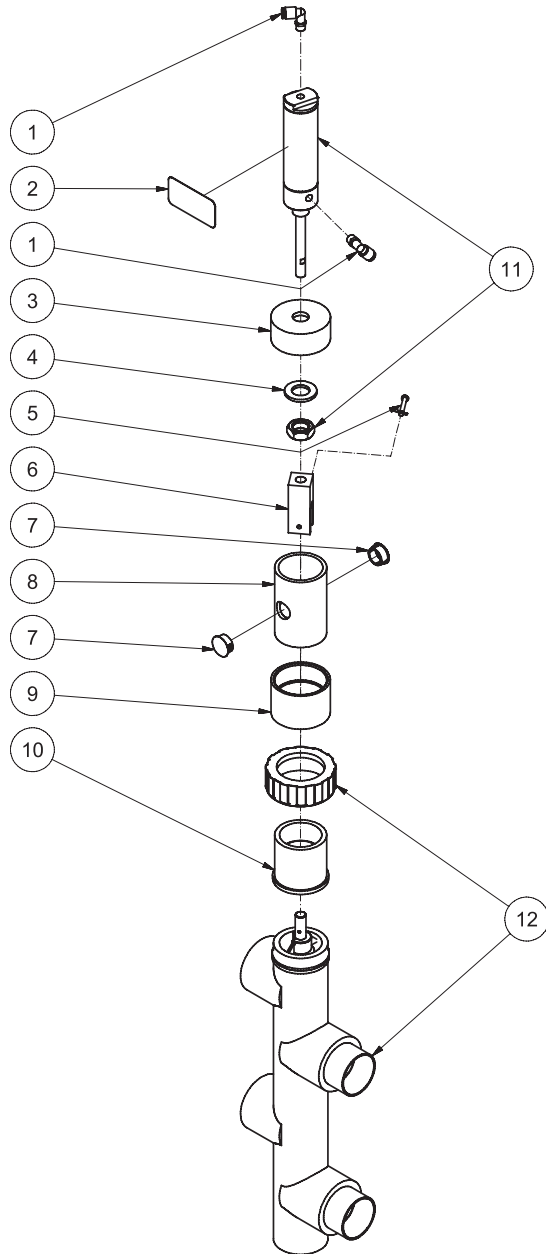
30" MEDIA FILTER SIDE MOUNT (19-0561)



19-0561 052410 PJH			
30" MEDIA FILTER			
ITEM	DESCRIPTION	PART #	QTY
1	PRESSURE GAUGE	N/A	1
2	CLAMP	42-0046	1
3	LID	62-0177	1
4	GASKET	26-0285	1
5	TANK	N/A	1
6	HYDRO DOME	62-0178	1
7	DIST. PIPE ASSEMBLY	N/A	1
8	BULKHEAD FITTING	N/A	2
9	BULKHEAD GASKET	N/A	2
10	SPACER	N/A	2
11	BULKHEAD NUT	N/A	2
12	BULKHEAD ADAPTER GASKET	N/A	2
13	HALF UNION	55-0122	2
14	COLLECTOR ASSEMBLY	N/A	1
15	LATERAL	62-0180	8
16	BASE	N/A	1

19-0561-052410-PJH

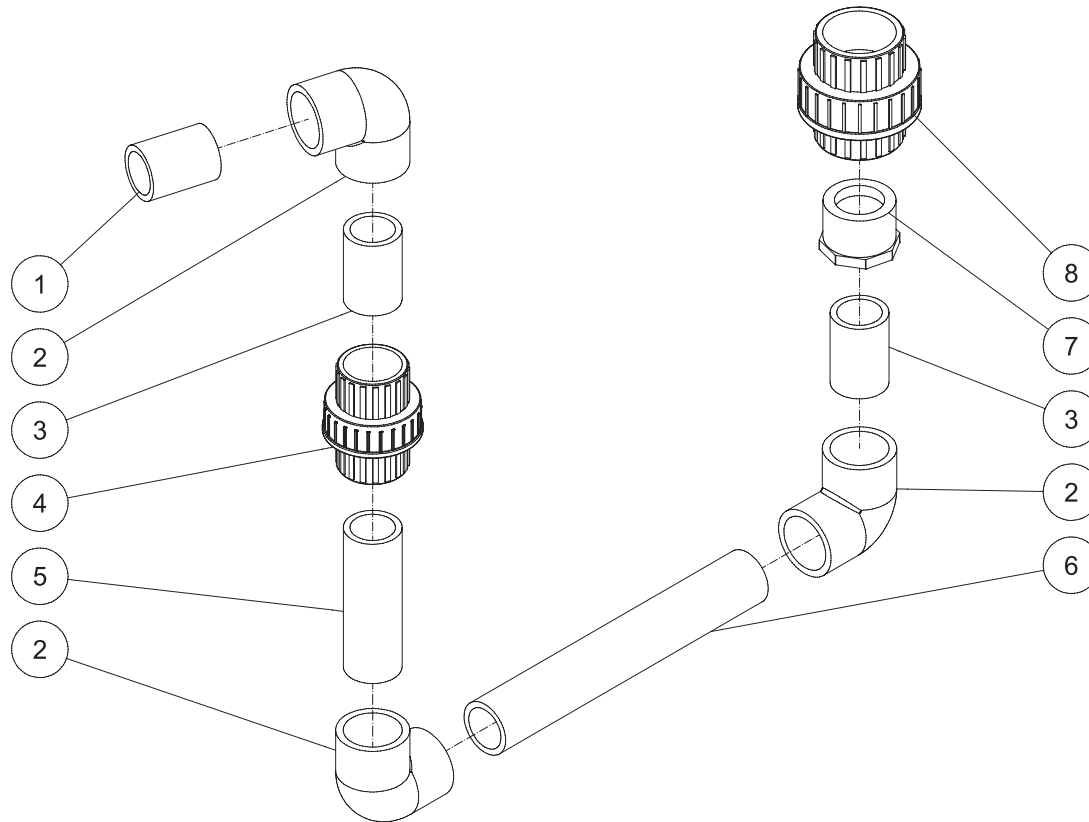
SLIDE VALVE ASSEMBLY



SLIDE VALVE ASSEMBLY WLP-40AB-0M11_0M31 052810 PJH			
SLIDE VALVE ASSEMBLY			
ITEM	DESCRIPTION	PART #	QTY
1	ELBOW	55-0104	2
2	DECAL - WARNING: MOVING PARTS	34-1634	1
3	CAP	55-1889	1
4	WASHER	28-1048	1
5	CLEVIS PIN	43-0116	1
6	CYLINDER CLEVIS	56-0055	1
7	PLUG	39-0014	2
8	PIPE *(2" X 3 5/8") *(ONE FOOT REQUIRED)	55-1805	1
9	COUPLER	55-1815	1
10	BULKHEAD ADAPTER	55-0103	1
11	AIR CYLINDER	22-0387	1
12	SLIDE VALVE	55-0101	1
* MUST ORDER IN ONE FOOT LENGTHS			

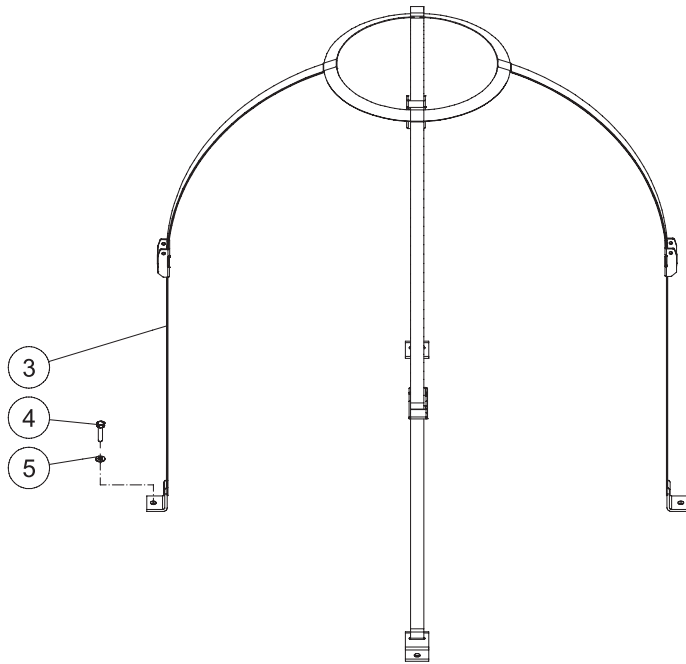
SLIDE VALVE ASSY WLP-40AB-0M11_0M31-052810-PJH

MEDIA FILTER TO POLISHING FILTER

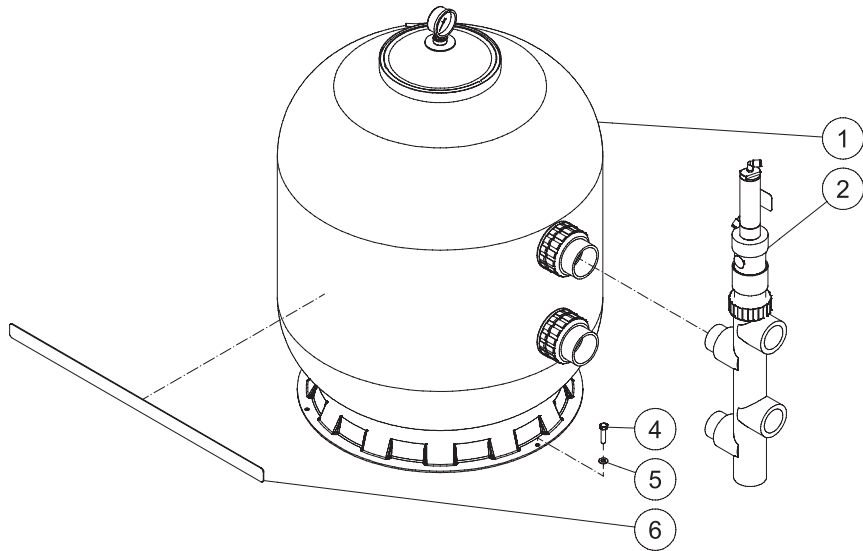


MEDIA FILTER TO POLISH FILTER WLP-20AB-0M11_0M31 060210-PJH			
MEDIA FILTER TO POLISHING FILTER			
ITEM	DESCRIPTION	Mi-T-M #	QTY
1	PIPE *(1 1/2" X 2 1/2")	55-1600	1
2	ELBOW	55-1609	3
3	PIPE *(1 1/2" X 2 3/4")	55-1600	2
4	UNION	55-1645	1
6	PIPE *(1 1/2" X 12")	55-1600	1
7	REDUCER BUSHING	55-1823	1
8	UNION	55-1845	1
5	PIPE *(1 1/2" X 5 1/2")	55-1685	1

POLISHING FILTER ASSEMBLY

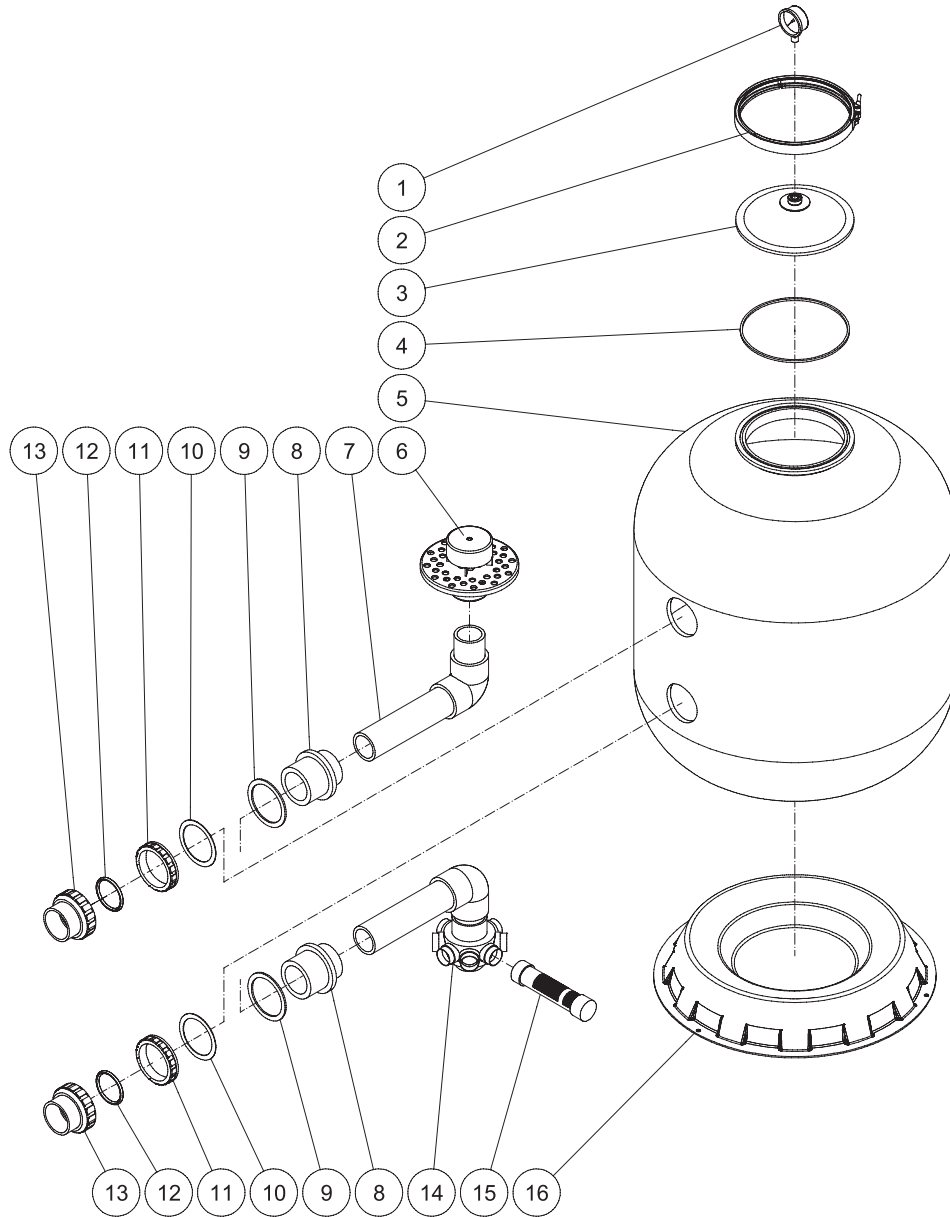


POLISHING FILTER ASSEMBLY WLP-20AB-0M11_0M31 060210-PJH			
POLISHING FILTER ASSEMBLY			
ITEM	DESCRIPTION	Mi-T-M #	QTY
1	FILTER	19-0560	1
2	VALVE ASSEMBLY	N/A	1
3	STRAP	33-0315	1
4	BOLT	27-5276	7
5	WASHER	28-0122	7
6	DECAL - POLISHING FILTER (SEE 34-9010)	34-0875	1
-	ACTIVATED CARBON (2 BAGS)	33-0302	110



POLISHING FILTER WLP-20AB-0M11_0M31-050210-PJH

24" MEDIA FILTER SIDE MOUNT (19-0560)

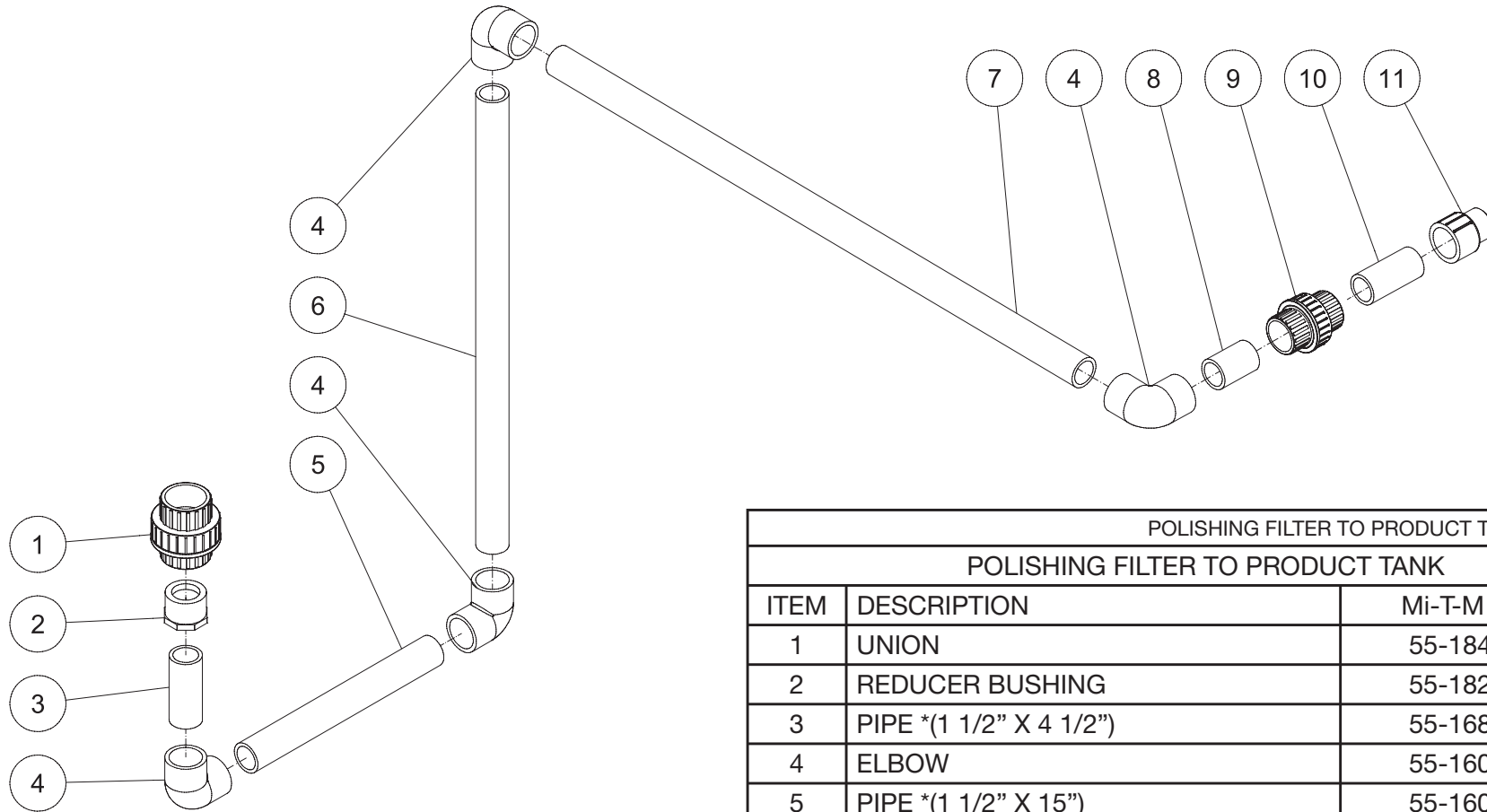


19-0560 052410-PJH			
24" MEDIA FILTER SIDE MOUNT			
ITEM	DESCRIPTION	PART #	QTY
1	PRESSURE GAUGE	N/A	1
2	CLAMP	42-0046	1
3	LID	62-0177	1
4	GASKET	26-0285	1
5	TANK	N/A	1
6	HYDRO DOME	62-0178	1
7	DIST. PIPE ASSEMBLY	N/A	1
8	BULKHEAD FITTING	N/A	2
9	BULKHEAD GASKET	N/A	2
10	SPACER	N/A	2
11	BULKHEAD NUT	N/A	2
12	BULKHEAD ADAPTER GASKET	N/A	2
13	HALF UNION	55-0122	2
14	COLLECTOR ASSEMBLY	N/A	1
15	LATERAL	62-0179	8
16	BASE	N/A	1

19-0560-052410-PJH

POLISHING FILTER TO PRODUCT TANK

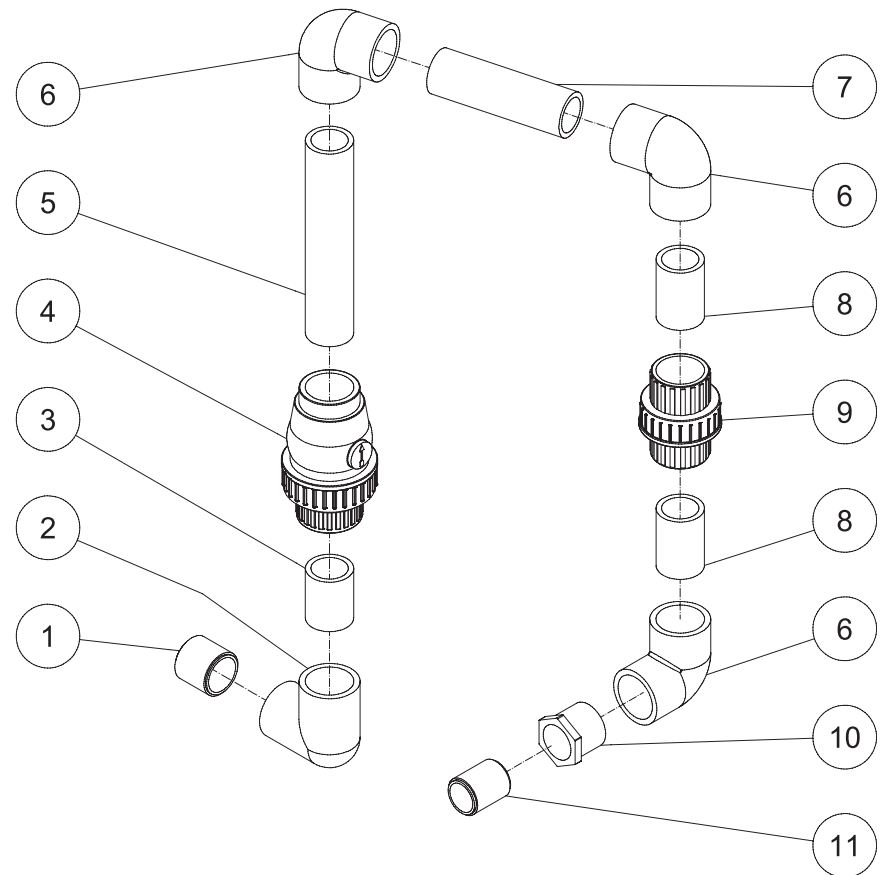
POLISHING FILTER TO PRODUCT TANK WLP-20AB-0M11_0M31 060210-PJH



POLISHING FILTER TO PRODUCT TANK 060210-PJH			
POLISHING FILTER TO PRODUCT TANK			
ITEM	DESCRIPTION	Mi-T-M #	QTY
1	UNION	55-1845	1
2	REDUCER BUSHING	55-1823	1
3	PIPE *(1 1/2" X 4 1/2")	55-1685	1
4	ELBOW	55-1609	4
5	PIPE *(1 1/2" X 15")	55-1600	1
6	PIPE *(1 1/2" X 31 1/2")	55-1600	1
7	PIPE *(1 1/2" X 43")	55-1600	1
8	PIPE *(1 1/2" X 2 3/4")	55-1600	1
9	UNION	55-1645	1
10	PIPE *(1 1/2" X 4")	55-1600	1
11	ADAPTER	55-1622	1
*MUST ORDER IN ONE FOOT LENGTHS			

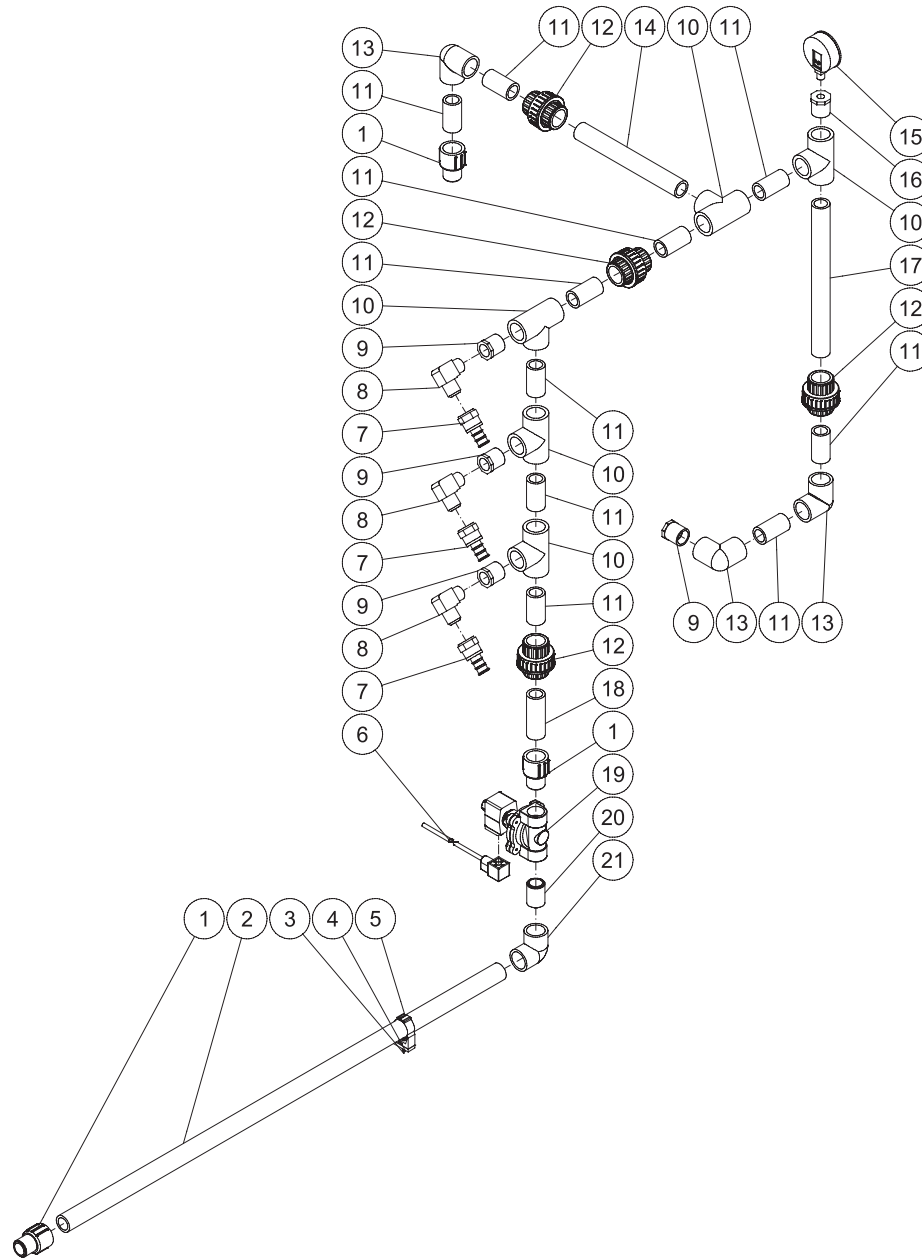
TRANSFER PUMP INLET

TRANSFER PUMP INLET WLP-20AB-0M11_0M31 060310-PJH			
TRANSFER PUMP INLET			
ITEM	DESCRIPTION	Mi-T-M #	QTY
1	NIPPLE	55-1674	1
2	ELBOW	55-1610	1
3	PIPE *(1 1/2" X 2 3/8")	55-1600	1
4	CHECK VALVE	55-1652	1
5	PIPE *(1 1/2" X 9 1/4")	55-1600	1
6	ELBOW	55-1609	3
7	PIPE *(1 1/2" X 6")	55-1600	1
8	PIPE *(1 1/2" X 2 3/4")	55-1600	2
9	UNION	55-1645	1
10	REDUCER	55-1628	1
11	NIPPLE	55-1474	1



TRANSFER PUMP INLET WLP-20AB-0M11_0M31 060310-PJH

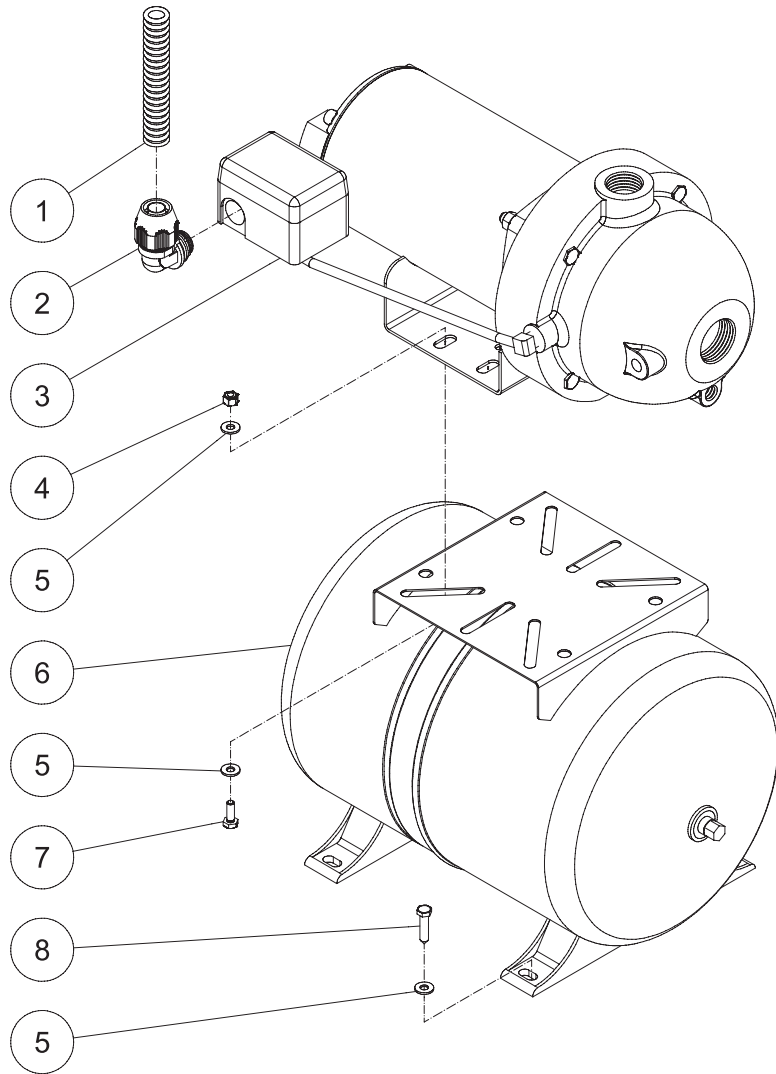
TRANSFER PUMP TO PRESSURE TANK



TRANSFER PUMP TO PRESSURE TANK WLP-20AB-0M11_0M31 060310 PJH

TRANSFER PUMP TO PRESSURE TANK WLP-20AB-0M11_0M31 060310PJH			
TRANSFER PUMP TO PRESSURE TANK			
ITEM	DESCRIPTION	Mi-T-M #	QTY
1	ADAPTER	55-1222	3
2	PIPE *(1" X 43 1/4")	55-1200	1
3	SCREW	27-5278	1
4	SHIM	N/A	1
5	CLAMP	42-0038	1
6	CORDSET	32-0786	1
7	HOSE BARB	23-0358	3
8	ELBOW	23-0364	3
9	REDUCER	55-1228	4
10	TEE	55-1201	5
11	PIPE *(1" X 2 3/8")	55-1200	10
12	UNION	55-1245	4
13	ELBOW	55-1209	3
14	PIPE *(1" X 10")	55-1200	1
15	PRESSURE GAUGE	22-0280	1
16	REDUCER	55-1231	1
17	PIPE *(1" X 12 3/4")	55-1200	1
18	PIPE *(1" X 3 1/2")	55-1200	1
19	SOLENOID	22-0442	1
20	NIPPLE	55-1274	1
21	ELBOW	55-1210	1
*MUST ORDER IN ONE FOOT LENGTHS			

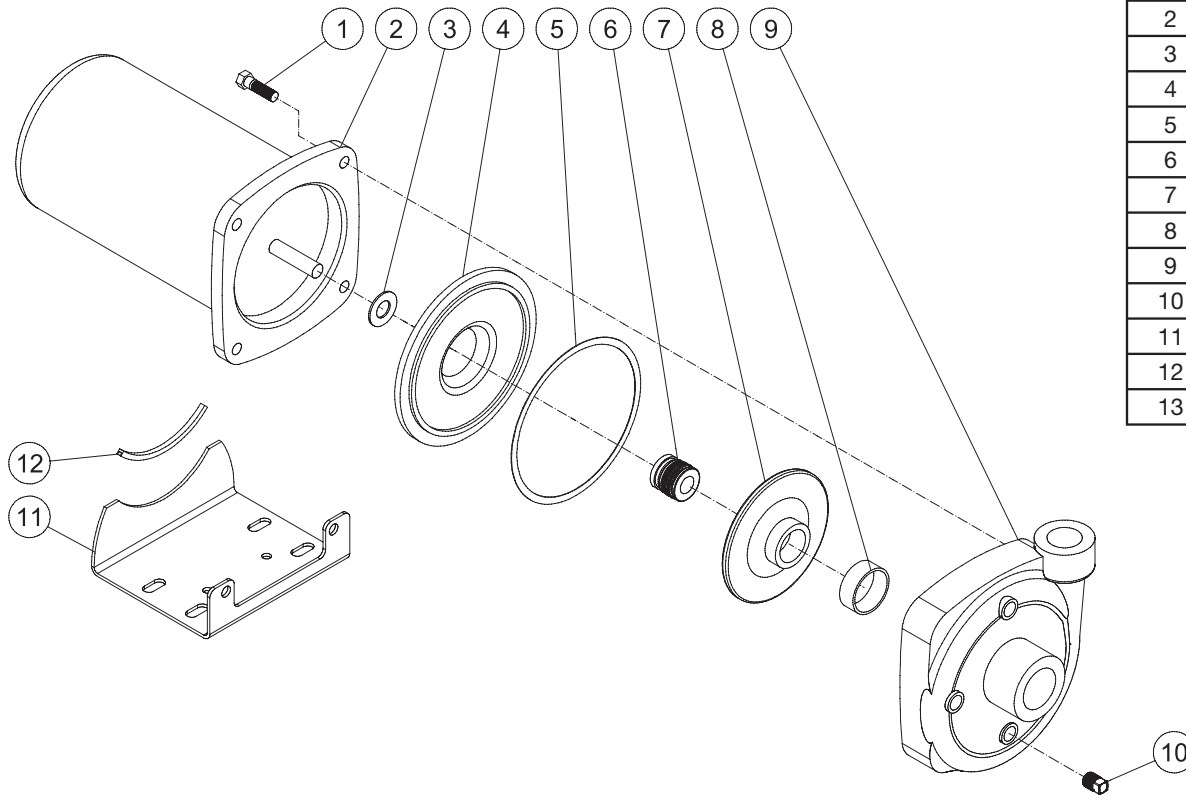
TRANSFER PUMP AND PRESSURE TANK ASSEMBLY



TRANSFER PUMP AND PRESSURE TANK ASSY WLP-20AB-0M11_0M31 060210 PJH			
TRANSFER PUMP AND PRESSURE TANK ASSEMBLY			
ITEM	DESCRIPTION	Mi-T-M #	QTY
1	CONDUIT FLEX	32-0253	1
2	CONDUIT ELBOW	32-0254	1
3	TRANSFER PUMP (SINGLE PHASE)	3-0181	1
-	TRANSFER PUMP (THREE PHASE)	3-0321	1
4	LOCKNUT	30-5155	4
5	WASHER	28-0121	12
6	PRESSURE TANK	12-0198	1
7	BOLT	27-5016	4
8	BOLT	27-5277	4

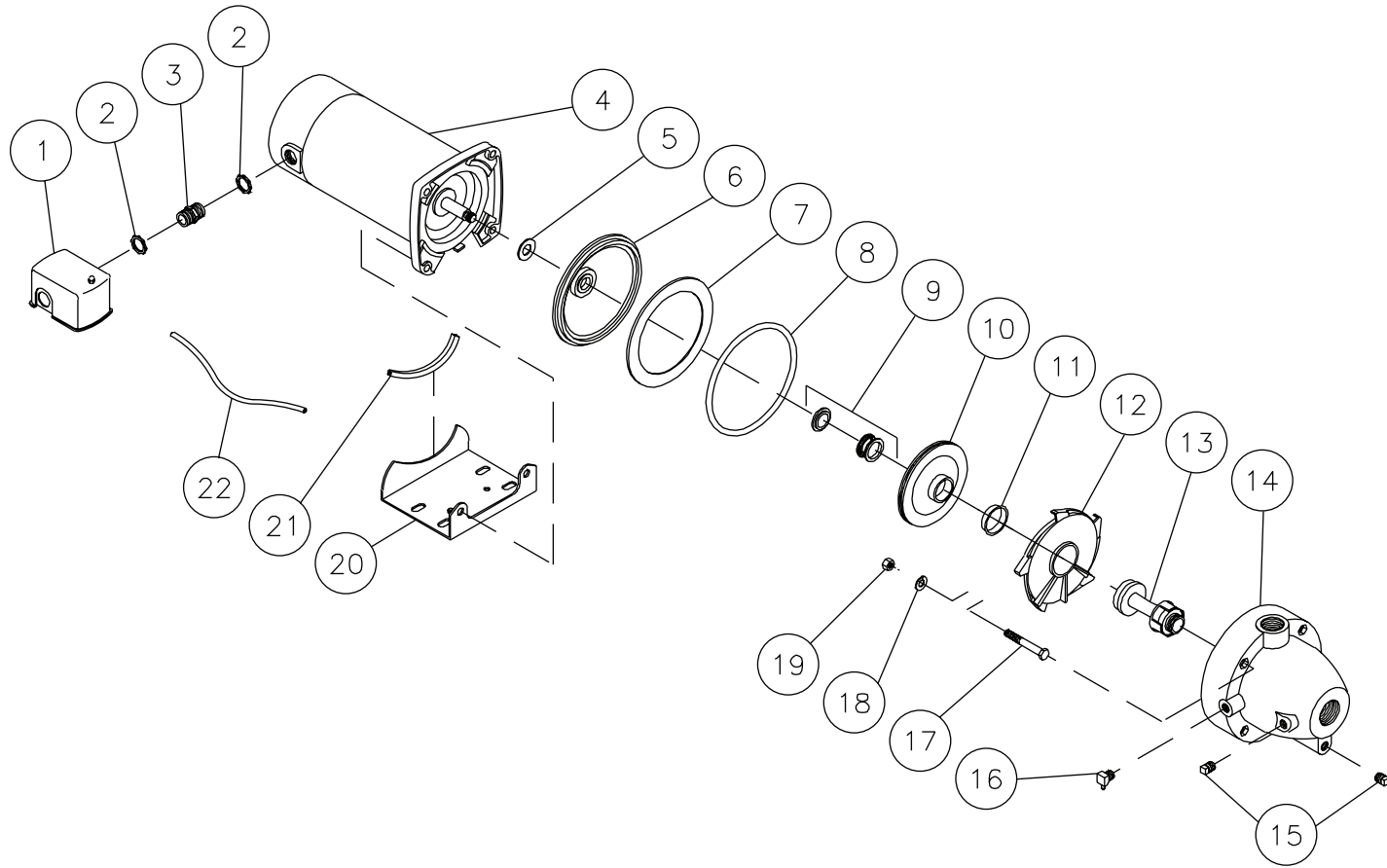
TRANSFER PUMP AND PRESSURE TANK ASSY WLP-20AB-0M11_0M31 060210 PJH

TRANSFER PUMP (THREE PHASE) (3-0321)



3-0321 081109-PJH			
STRAINER BASKET PUMP			
ITEM	DESCRIPTION	Mi-T-M #	QTY
1	BOLT	27-0118	4
2	MOTOR	N/A	1
3	WATER SLINGER	46-1386	1
4	SEAL PLATE	N/A	1
5	GASKET - VOLUTE	N/A	1
6	SHAFT SEAL	26-0354	1
7	IMPELLER	N/A	1
8	WEAR RING	46-1387	1
9	VOLUTE ASSEMBLY	N/A	1
10	PLUG	24-0009	3
11	BASE	N/A	1
12	MOTOR PAD	N/A	1
13	GASKET/O-RING KIT (#'S 3, 5, & 6)	70-0537	1

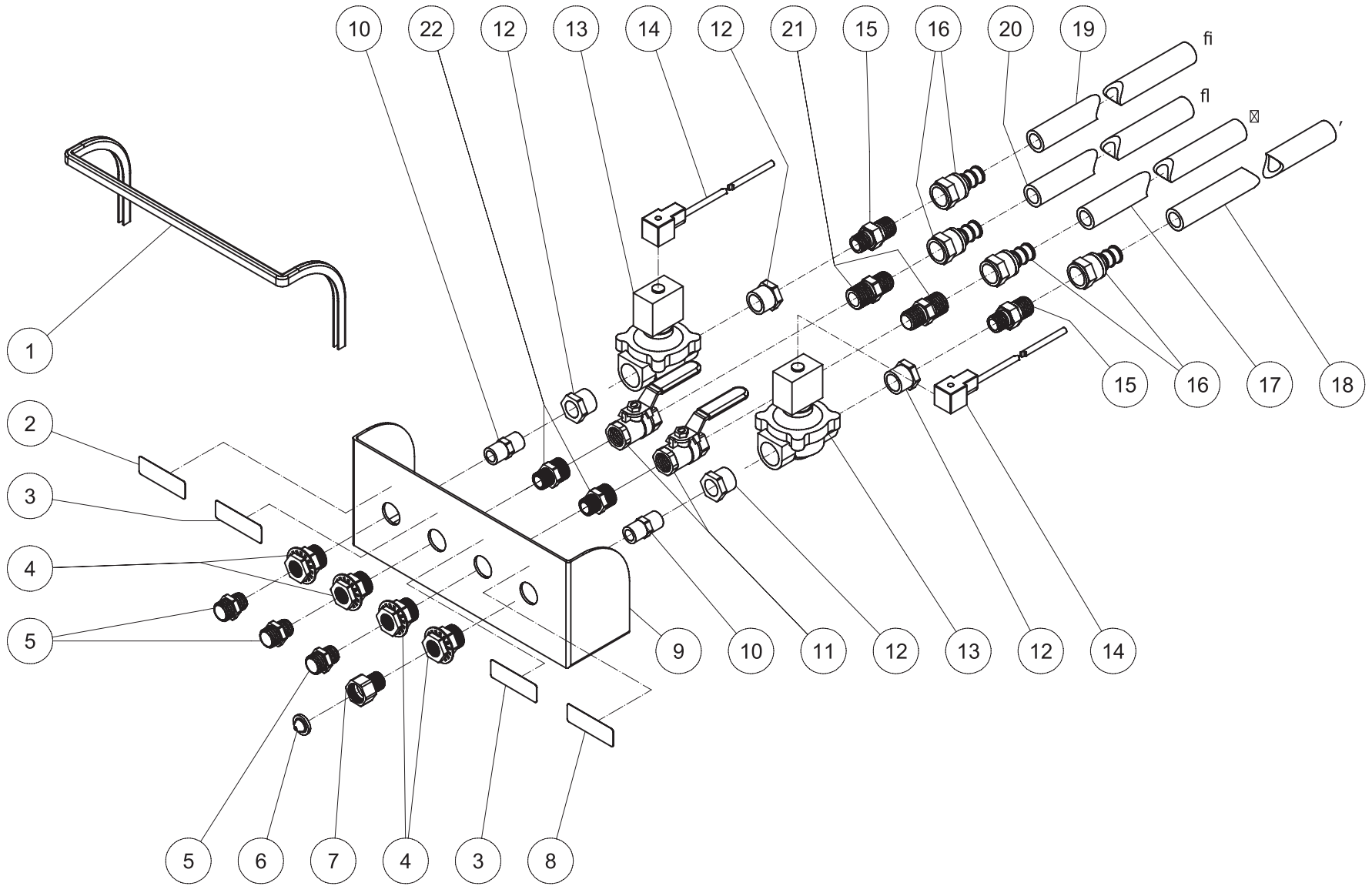
TRANSFER PUMP (SINGLE PHASE) (3-0181)



3-0181-043099

TRANSFER PUMP (3-0181)								
REF. #	DESCRIPTION	PART#	QTY.		REF. #	DESCRIPTION	PART#	QTY.
1	Pressure Switch	22-0293	1		13	Venturi	46-0836	1
2	Locknut	32-0108	2		14	Case	46-0837	1
3	Fitting	54-0040	1		15	Plug	39-0109	2
4	Motor (See 3-0181)	N/A Sep.	1		16	Elbow	23-0381	1
5	Rubber Washer (See 3-0181)	N/A Sep.	1		17	Bolt	27-8937	4
6	Seal Plate	26-0214	1		18	Lock Washer	29-0008	4
7	Disk	46-0834	1		19	Nut	30-0006	4
8	O-ring (See 70-0257)	N/A Sep.	1		20	Base (Includes Ref. 21)	5-0144	1
9	Seal	26-0215	1		21	Rubber Protector	33-0320	1
10	Impeller (See 70-0257)	N/A Sep.	1		22	Hose	15-0210	1
11	Wear Ring	46-0835	1			Impeller Kit (Includes 8-12)	70-0257	1
12	Diffuser (See 70-0257)	N/A Sep.	1			Transfer Pump (Includes 1-22)	3-0181	

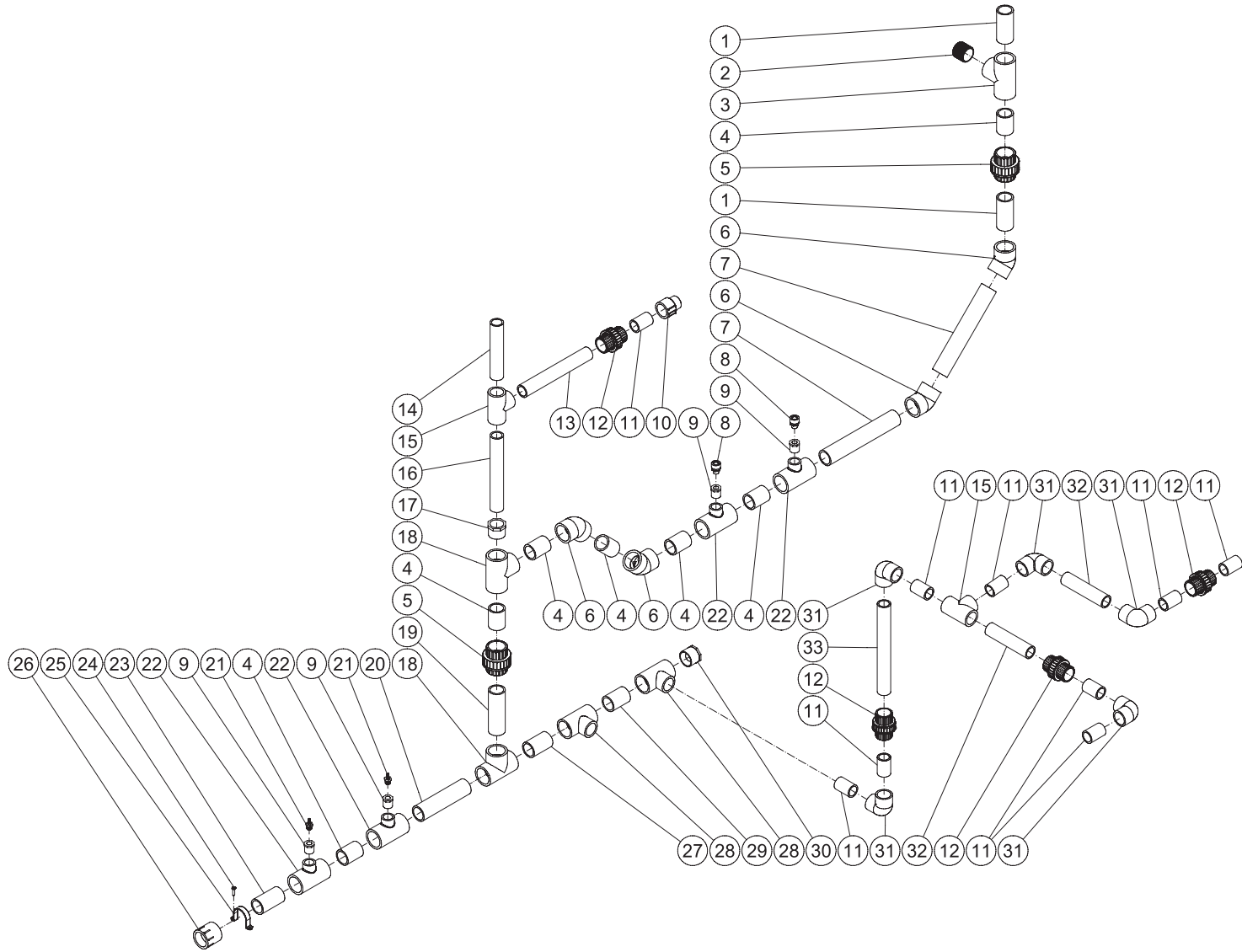
MANIFOLD ASSEMBLY



MANIFOLD ASSY-WLP-20AB-0M11_0M31 060210 PJH

MANIFOLD ASSEMBLY WLP-20AB-0M11_0M31 060210-PJH			
MANIFOLD ASSEMBLY			
ITEM	DESCRIPTION	PART #	QTY
1	EDGING *(ONE FOOT REQUIRED)	33-0020	1
2	DECAL - RAIN WATER OVERFLOW (SEE 34-9010)	34-0878	1
3	DECAL - PRESSURE WASHER OUTLET (SEE 34-9010)	34-0877	2
4	ADAPTER	23-0365	4
5	ADAPTER	23-0136	3
6	FILTER	19-0001	1
7	SWIVEL	23-0095	1
8	DECAL - FRESH WATER INLET (SEE 34-9010)	34-0879	1
9	MANIFOLD	21-0116	1
10	NIPPLE	23-0012	2
11	BALL VALVE	22-0279	2
12	REDUCER	55-1234	4
13	SOLENOID-NC	22-0442	2
14	CORDSET	32-0786	2
15	NIPPLE	23-0359	2
16	HOSE BARB	23-0358	4
17	HOSE *(TWO FEET REQUIRED)	15-0033	4
18	HOSE *(FOUR FEET REQUIRED)	15-0033	1
19	HOSE *(THREE FEET REQUIRED)	15-0033	1
20	HOSE *(TWO FEET REQUIRED)	15-0033	1
21	NIPPLE	23-0362	2
22	NIPPLE	23-0082	2

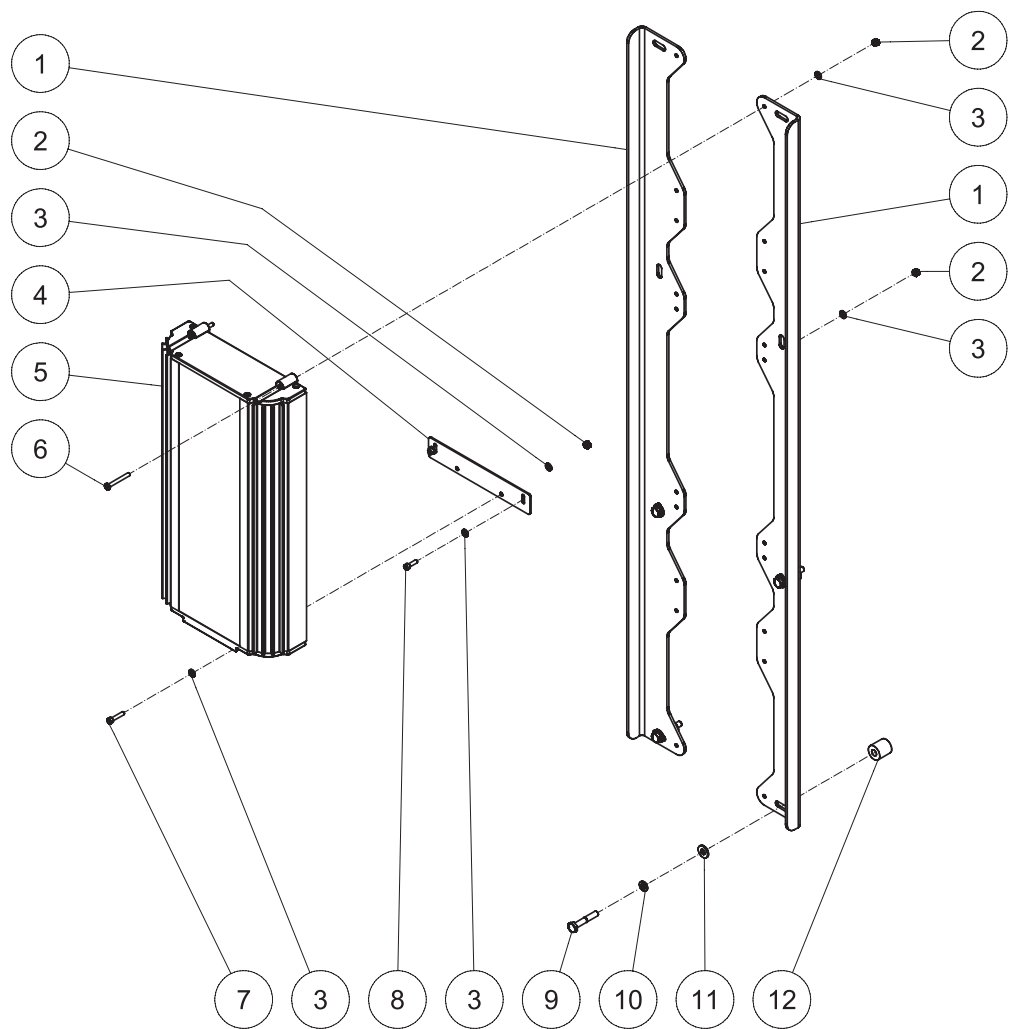
DRAIN ASSEMBLY



TANK DRAIN ASSY WLP-20AB-0M11_0M31-060210-PJH

DRAIN ASSEMBLY WLP-20AB-0M11_0M31 060310 PJH			
DRAIN ASSEMBLY			
ITEM	DESCRIPTION	Mi-T-M #	QTY
1	PIPE *(2" X 5")	55-1800	2
2	NIPPLE	55-1874	1
3	TEE	55-1807	1
4	PIPE *(2" X 3")	55-1800	7
5	UNION	55-1845	2
6	ELBOW	55-1812	4
7	PIPE *(2" X 13 3/4")	55-1800	2
8	STRAIN RELIEF	32-0550	2
9	REDUCER	55-1229	4
10	ADAPTER	55-1622	1
11	PIPE *(1 1/2" X 2 3/4")	55-1600	9
12	UNION	55-1645	4
13	PIPE *(1 1/2" X 13")	55-1600	1
14	PIPE *(1 1/2" X 9 1/4")	55-1600	1
15	TEE	55-1601	2
16	PIPE *(1 1/2" x 12 1/2")	55-1600	1
17	REDUCER BUSHING	55-1823	1
18	TEE	55-1801	2
19	PIPE *(2" X 7")	55-1800	1
20	PIPE (2" X 9 1/4")	55-1800	1
21	HOSE BARB	55-0023	2
22	TEE	55-1804	4
23	PIPE *(2" X 4 1/4")	55-1800	1
24	BOLT	27-5277	2
25	CLAMP	42-0025	1
26	ADAPTER	55-1821	1
27	PIPE *(2" X 3 5/8")	55-1800	1
28	TEE	55-1802	2
29	PIPE *(2" X 3 1/4")	55-1800	1
30	REDUCER	55-1830	1
31	ELBOW	55-1609	5
32	PIPE *(1 1/2" X 8")	55-1685	2
33	PIPE *(1 1/2" X 15")	55-1600	1
*MUST ORDER IN ONE FOOT LENGTHS			

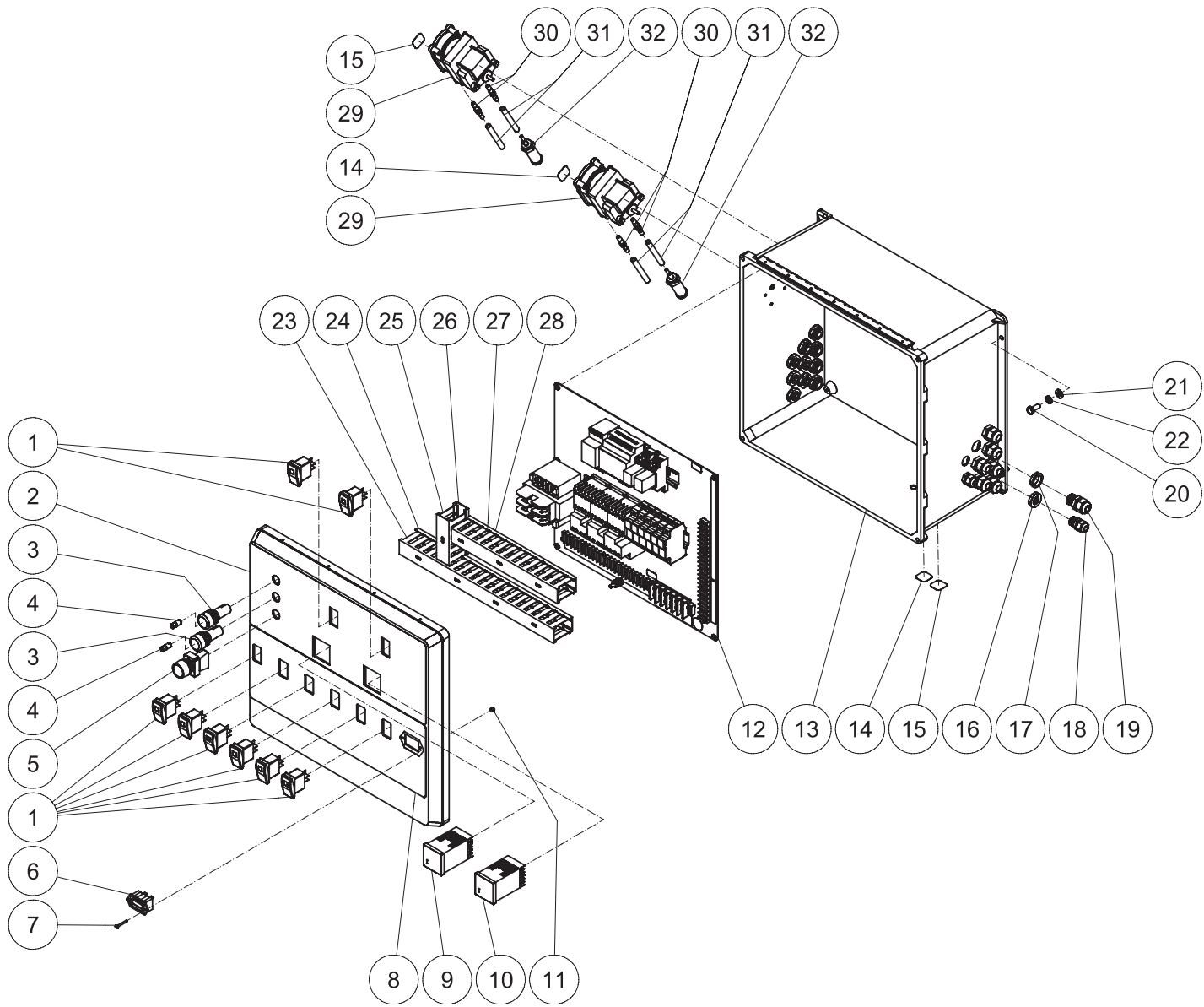
OZONE GENERATOR



OZONE GENERATOR WLP-20AB-0M11_0M31-060210-PJH

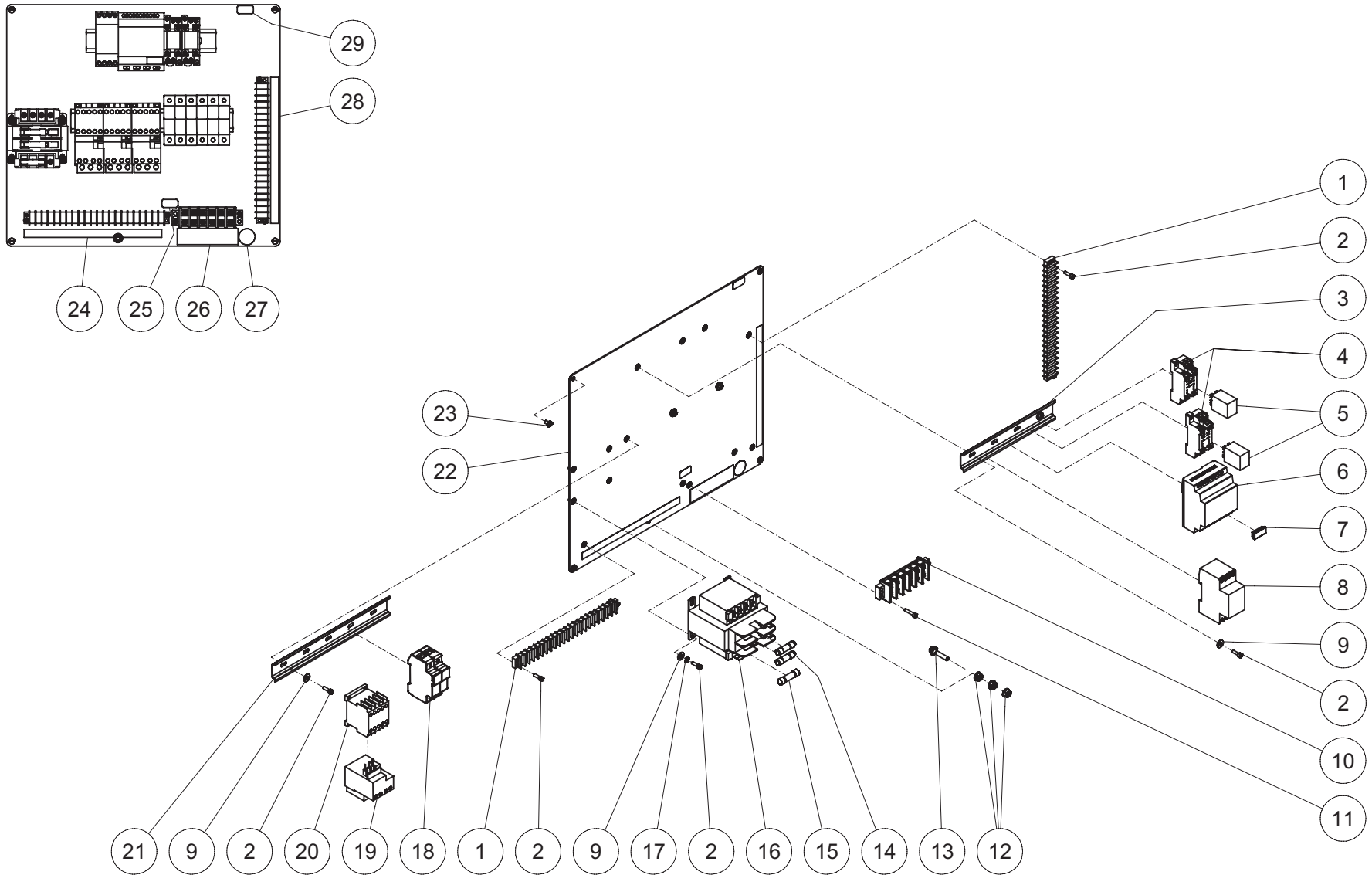
OZONE GENERATOR ASSEMBLY WLP-20AB-0M11_0M31 060210-PJH			
OZONE GENERATOR ASSEMBLY			
ITEM	DESCRIPTION	PART #	QTY
1	MOUNTING BRACKET	21-0216	2
2	LOCKNUT	30-8152	6
3	WASHER	28-0010	10
4	FIT PLATE	21-0219	1
5	OZONE GENERATOR	32-0860	1
6	BOLT	27-5032	2
7	BOLT	27-8930	2
8	SCREW	27-8835	2
9	BOLT	27-5031	4
10	LOCKWASHER	29-1006	4
11	WASHER	28-0121	4
12	SPACER	33-0358	4

CONTROL PANEL



CONTROL PANEL WLP-20AB-0M11_0M31 052110 PJH			
CONTROL PANEL			
ITEM	DESCRIPTION	PART #	QTY
1	ROCKER SWITCH	32-0669	8
2	DECAL - AUTO BACKWASH CONTROL (SEE 34-9010)	N/A	1
3	INDICATOR LIGHT	32-0803	2
4	BULB	32-0937	2
5	SWITCH PUSH BUTTON	32-0534	1
6	HOUR METER	32-0668	1
7	BOLT	27-8928	2
8	DECAL - OPERATING INSTRUCTIONS (SEE 34-9010)	N/A	1
9	PH METER	32-0806	1
10	ORP METER	32-0807	1
11	LOCKNUT	30-8151	2
12	CONTROL PANEL PLATE ASS'Y	N/A SEP.	1
13	ELECTRIC BOX	32-054301	1
14	DECAL - PH (SEE 34-9010)	N/A	2
15	DECAL - ORP (SEE 34-9010)	N/A	2
16	ELECTRICAL LOCKNUT	32-0587	7
17	ELECTRICAL LOCKNUT	32-0108	12
18	STRAIN RELIEF	32-0586	7
19	STRAIN RELIEF	32-0437	12
20	BOLT	27-5066	4
21	WASHER	28-0122	4
22	LOCKWASHER	29-1007	4
23	DUCT *(TWO FEET REQUIRED)	32-0555	1
24	DUCT COVER *(TWO FEET REQUIRED)	32-0318	1
25	DUCT *(ONE FOOT REQUIRED)	32-0555	1
26	DUCT COVER *(ONE FOOT REQUIRED)	32-0318	1
27	DUCT *(ONE FOOT REQUIRED)	32-0555	1
28	DUCT COVER *(ONE FOOT REQUIRED)	32-0318	1
29	PUMP	3-0316	2
30	HOSE MENDER	55-0022	4
31	HOSE *(FIFTEEN FEET REQUIRED)	15-0021	4
32	STRAINER	19-0056	2
33	SCREW	27-2771	8
*MUST ORDER IN ONE FOOT LENGTHS			

CONTROL PANEL PLATE ASSEMBLY



CONTROL PNL PLATE ASSY WLP-40AB-0M11_0M31 052510-PJH

CONTROL PANEL PLATE ASSY WLP-40/20AB-0M11_0M31 052510 PJH

CONTROL PANEL PLATE ASSEMBLY

ITEM	DESCRIPTION	PART #	QTY
1	TERMINAL STRIP	32-0463	2
2	SCREW	27-8835	13
3	DIN RAIL *(ONE FOOT REQUIRED)	32-0316	1
4	RELAY SOCKET	32-0548	2
5	RELAY	32-1008	2
6	PROGRAMMABLE RELAY	32-0778	1
7	PROGRAMMABLE RELAY CHIP	32-0779	1
8	TIMER	32-1018	1
9	WASHER	28-0120	9
10	TERMINAL BLOCK	32-0536	1
11	BOLT	27-8930	2
12	NUT	30-3022	3
13	BOLT	27-8898	1
14	FUSE	32-0740	2
15	FUSE	32-1028	1
16	TRANSFORMER	32-0735	1
17	STAR WASHER	28-1009	4
18	FUSE HOLDER (1 PHASE)	32-1006	3
-	FUSE HOLDER (3 PHASE)	32-1007	3
19	OVERLOAD	SEE CHART	3
20	CONTACTOR	32-1009	3
21	DIN RAIL *(ONE FOOT REQUIRED)	32-0316	1
22	ELECTRICAL PLATE	20-1159A06	1
23	SCREW	27-8933	4
24	DECAL - TERMINAL STRIP #23-44 (SEE 34-9010)	34-0886	1
25	DECAL - 230 VOLT (SEE 34-9010)	N/A	1
26	DECAL - TERMINAL STRIP #45-50 (SEE 34-9010)	N/A	1
27	DECAL- GROUND PICTORAL (SEE 34-9010)	N/A	1
28	DECAL - TERMINAL STRIP #01-22 (SEE 34-9010)	N/A	1
29	DECAL - 115V (SEE 34-9010)	N/A	1

*MUST ORDER IN ONE FOOT LENGTHS

1 PHASE

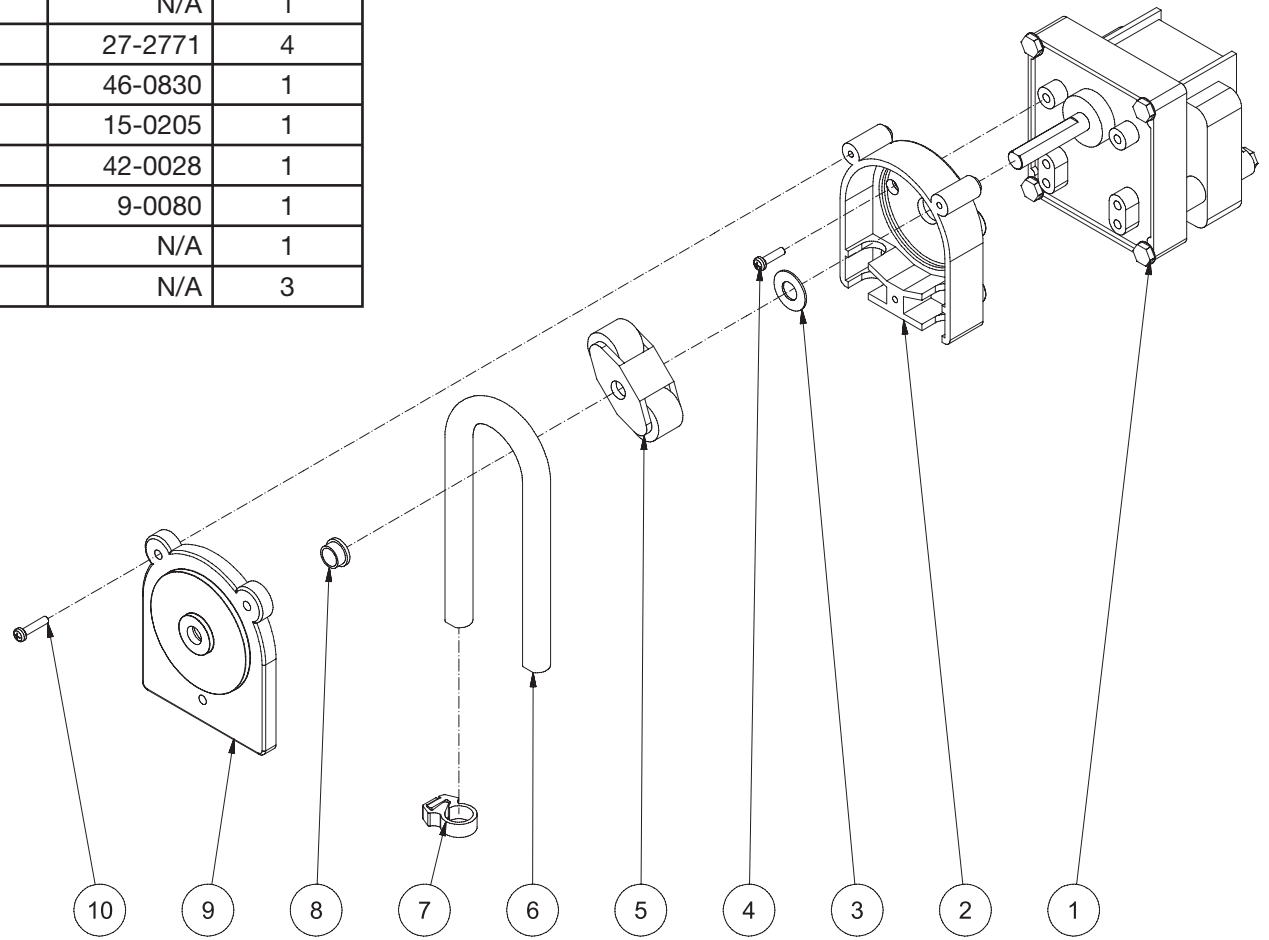
PUMP	VOLTAGE	MOTOR FUSES	OVERLOAD
SUMP	230	32-1026 (15A)	32-1016
FILTER	230	32-1026 (15A)	32-1016
TRANSFER	230	32-1027 (20A)	32-1017

3 PHASE

PUMP	VOLTAGE	MOTOR FUSES	OVERLOAD
SUMP	208	32-1024 (6A)	32-1014
FILTER	208	32-1025 (10A)	32-1015
TRANSFER	208	32-1025 (10A)	32-1015
SUMP	230	32-1024 (6A)	32-1014
FILTER	230	32-1025 (10A)	32-1015
TRANSFER	230	32-1025 (10A)	32-1015
SUMP	460	32-1023 (3A)	32-1011
FILTER	460	32-0470 (5A)	32-1012
TRANSFER	460	32-0470 (5A)	32-1012

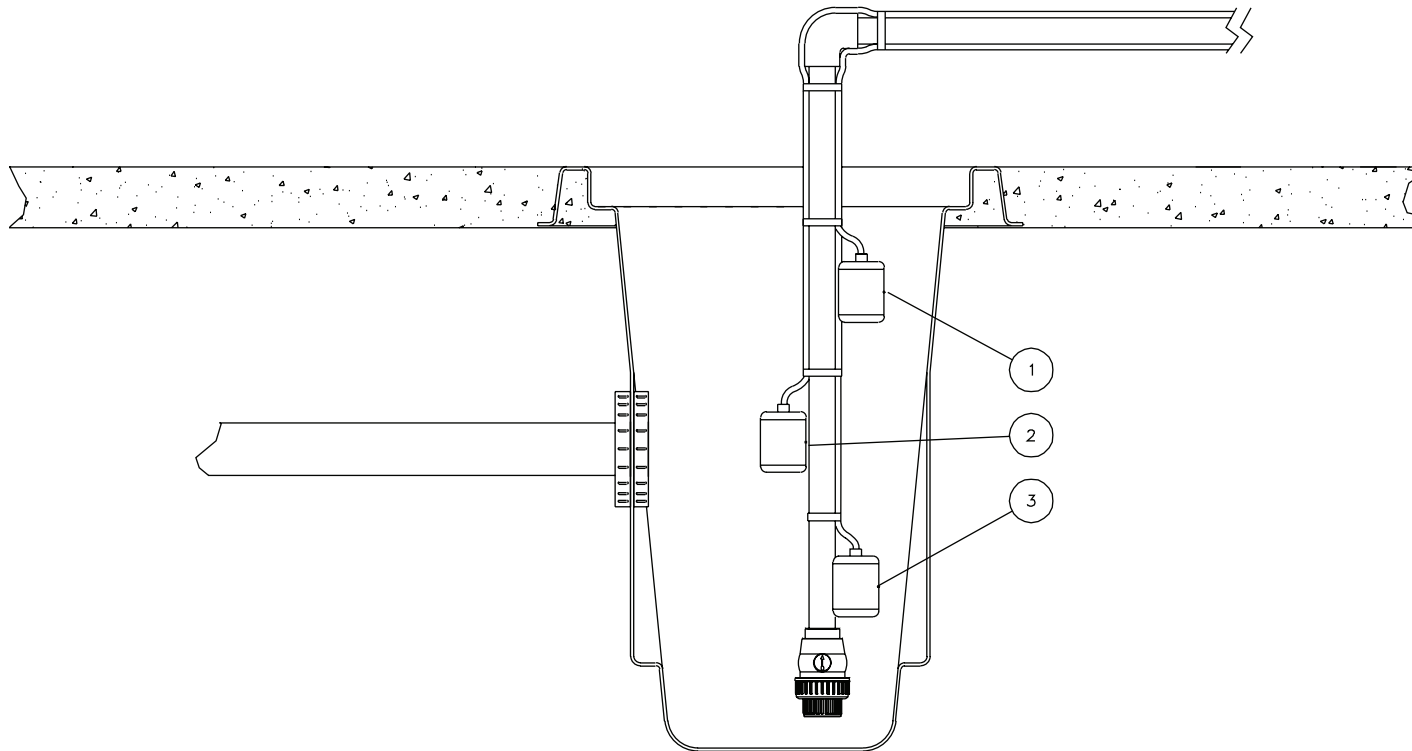
PH / ORP PUMP (3-0316)

3-0316 030110-PJH			
PUMP (3-0316)			
ITEM	DESCRIPTION	PART #	QTY
1	MOTOR	N/A	1
2	HOUSING (SEE 70-0245)	N/A	1
3	WASHER	N/A	1
4	SCREW	27-2771	4
5	ROLLER BRACKET ASSEMBLY	46-0830	1
6	TUBE	15-0205	1
7	CLAMP	42-0028	1
8	BUSHING	9-0080	1
9	PUMP COVER (SEE 70-0245)	N/A	1
10	SCREW (SEE 70-0245)	N/A	3



3-0316-030110 PJH

SUMP PIT ASSEMBLY

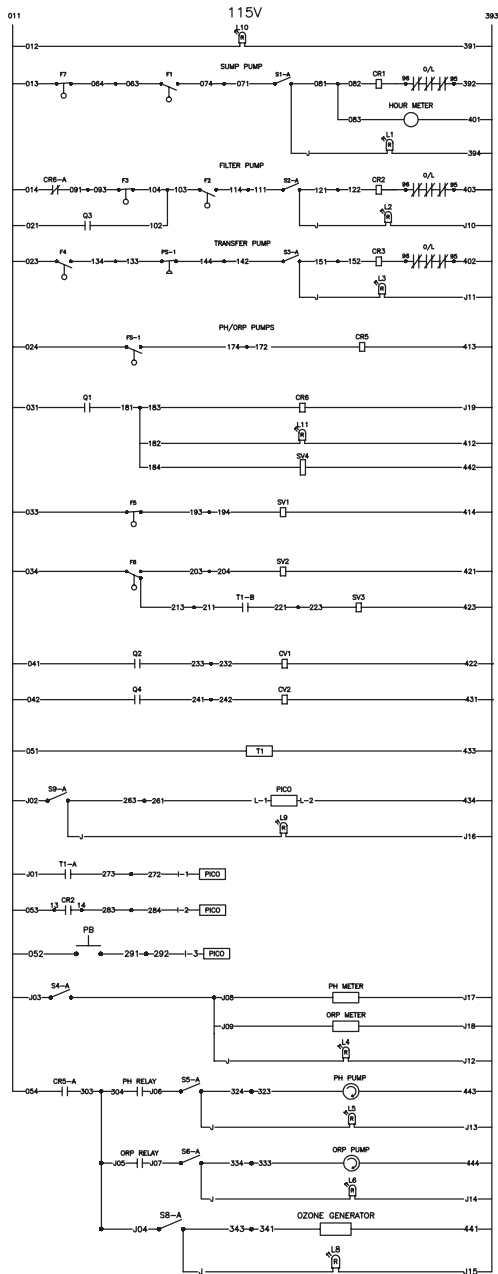


SUMP PIT ASSY-110702-KS

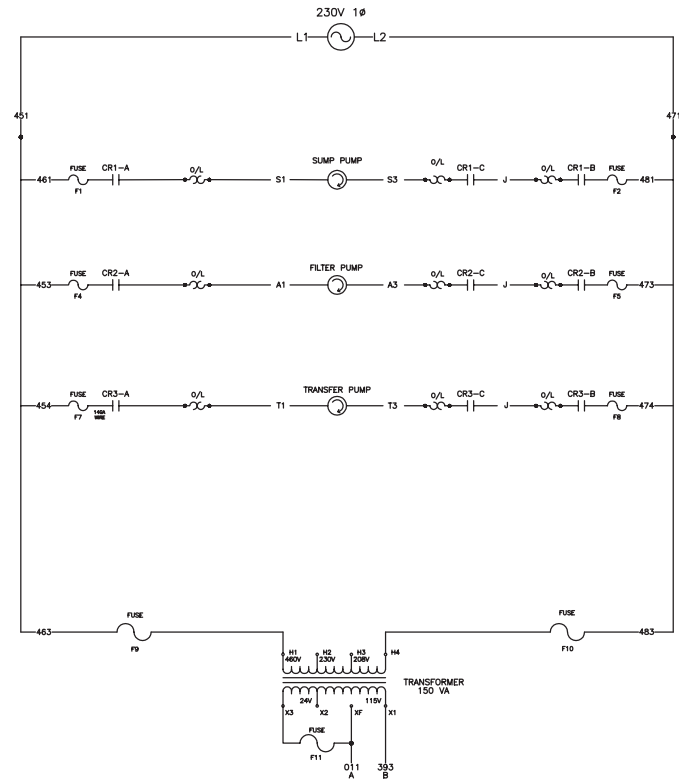
SUMP PIT ASSEMBLY			
REF. #	DESCRIPTION	PART #	QTY.
1	Float- Normally Open	32-0545	1
2	Float- Normally Closed	32-0530	1
3	Float- Normally Open	32-0528	1

SUMP PIT ASSY-110702-KS

LADDER DIAGRAM (SINGLE PHASE)



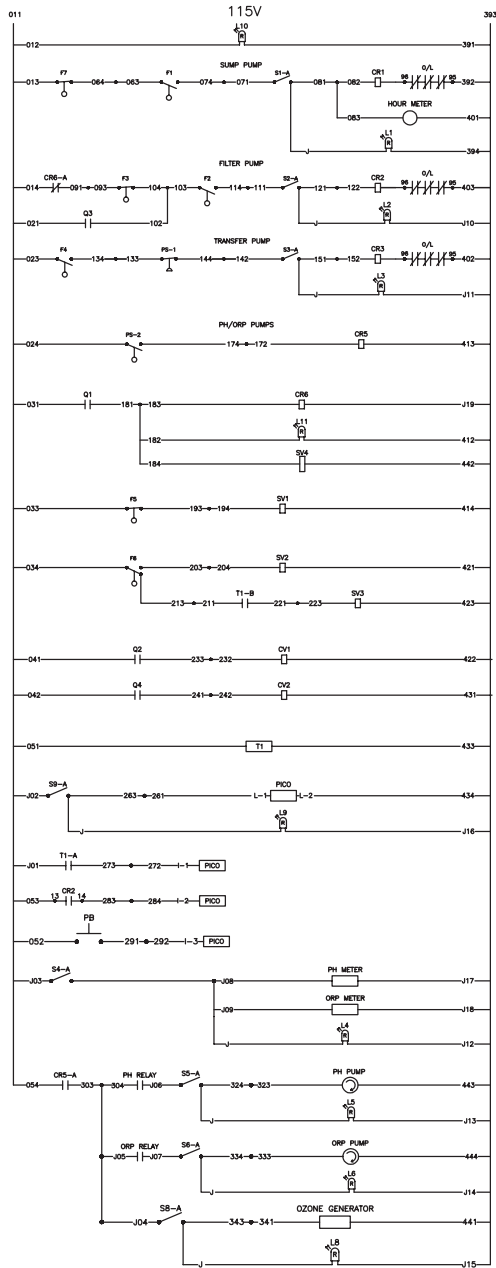
- LEGEND:
- OR1 = CONTROL RELAY, SUMP PUMP
 - OR2 = CONTROL RELAY, FILTER PUMP
 - OR3 = CONTROL RELAY, TRANSFER PUMP
 - OR5 = CONTROL RELAY, PH/ORP PUMPS
 - OR6 = CONTROL RELAY, TRANSFER PUMP CIRCUIT
 - CV1 = CONTROL VALVE, MULTI-MEDIA VALVE
 - CV2 = CONTROL VALVE, POLISHING VALVE
 - S1 = SWITCH, SUMP PUMP
 - S2 = SWITCH, FILTER PUMP
 - S3 = SWITCH, TRANSFER PUMP
 - S4 = SWITCH, PH/ORP METERS
 - S5 = SWITCH, PH PUMP
 - S6 = SWITCH, ORP PUMP
 - S8 = SWITCH, OZONE GENERATOR
 - S9 = SWITCH, AUTO-BACKWASH
 - S10 = SWITCH, CLARIFIER AUTO-DRAIN
 - L1 = LIGHT FOR S1
 - L2 = LIGHT FOR S2
 - L3 = LIGHT FOR S3
 - L4 = LIGHT FOR S4
 - L5 = LIGHT FOR S5
 - L6 = LIGHT FOR S6
 - L7 = LIGHT FOR S7
 - L8 = LIGHT FOR S8
 - L9 = LIGHT FOR S9
 - L10 = POWER ON
 - L11 = BACKWASH INDICATOR
 - L12 = LIGHT FOR S10
 - PS1 = PRESSURE SWITCH, 30-50 PSI, TRANSFER PUMP
 - FS1 = FLOW SWITCH, PH/ORP PUMPS
 - F1 = FLOAT, N.O. BLUE, PIT, SUMP PUMP
 - F2 = FLOAT, N.O. BLUE, HOLDING TANK, FILTER PUMP
 - F3 = FLOAT, N.O. RED, PRODUCT TANK, FILTER PUMP
 - F4 = FLOAT, N.O. BLUE, PRODUCT TANK, TRANSFER PUMP
 - F5 = FLOAT, N.C. RED, PIT, FRESHWATER MAKE-UP
 - F6 = FLOAT, N.O./N.C. RED, PIT, RAINWATER OVERFLOW
 - F7 = FINGER FLOAT, N.C. HOLDING TANK, SUMP PUMP
 - SV1 = SOLENOID VALVE, FRESHWATER MAKE-UP
 - SV2 = SOLENOID VALVE, RAINWATER OVERTLOW
 - SV3 = SOLENOID VALVE, TIMER/RECIRCULATION
 - SV4 = SOLENOID VALVE, AB FLOW CONTROL
 - T1A = 24H TIMER, AUTO-BACKWASH, TIMED CLOSED
 - T1B = 24H TIMER, RECIRCULATION, TIMED CLOSED
 - PB1 = PUSH BUTTON SWITCH, INITIATE AUTO-BACKWASH
 - H = HOUR METER, SUMP PUMP



LADDER DIAGRAM WLP-40AB-0M11- 111309-PJH

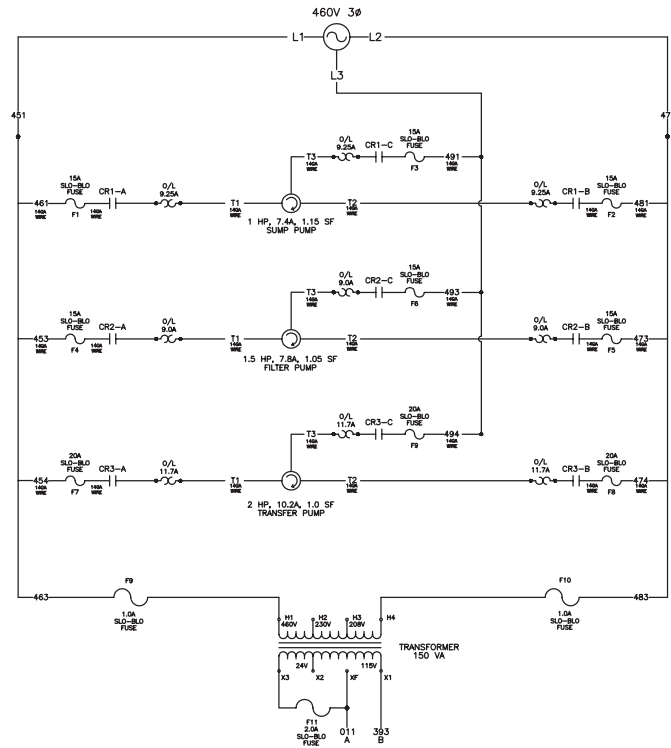
LADDER DIAGRAM (THREE PHASE)

WIRE DIAGRAM WLP-40AB-0M31 063009-PJH

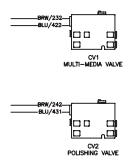
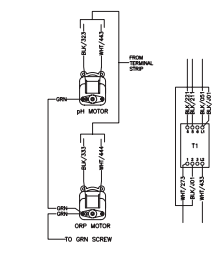
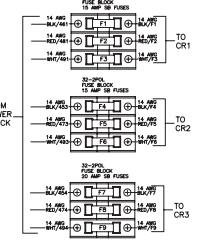
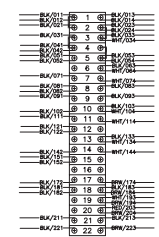
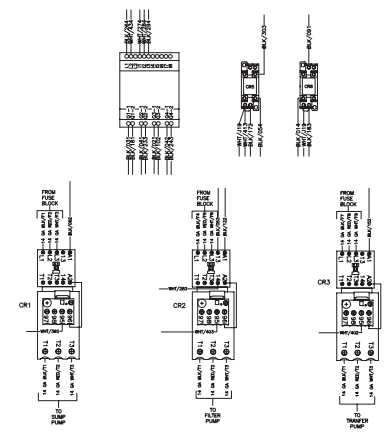
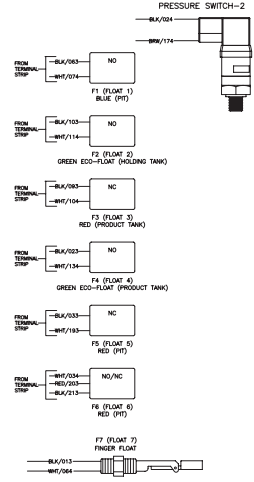
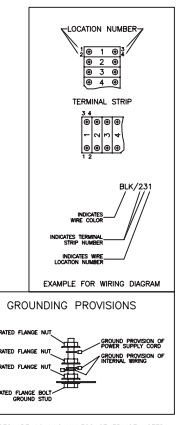
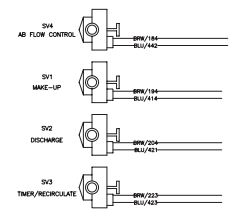
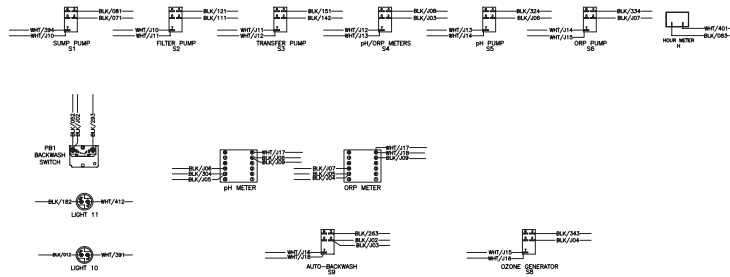
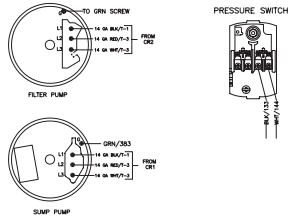
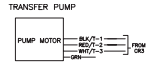


LEGEND:

- CR1 = CONTROL RELAY, SUMP PUMP
- CR2 = CONTROL RELAY, FILTER PUMP
- CR3 = CONTROL RELAY, TRANSFER PUMP
- CR5 = CONTROL RELAY, PH/ORP PUMPS
- CR6 = CONTROL RELAY, TRANSFER PUMP CIRCUIT
- CV1 = CONTROL VALVE, MULTI-MEDIA VALVE
- CV2 = CONTROL VALVE, POLISHING VALVE
- S1 = SWITCH, SUMP PUMP
- S2 = SWITCH, FILTER PUMP
- S3 = SWITCH, TRANSFER PUMP
- S4 = SWITCH, PH/ORP METERS
- S5 = SWITCH, PH PUMP
- S6 = SWITCH, ORP PUMP
- S8 = SWITCH, OZONE GENERATOR
- S9 = SWITCH, AUTO-BACKWASH
- S10 = SWITCH, CLARIFIER AUTO-DRAIN
- L1 = LIGHT FOR S1
- L2 = LIGHT FOR S2
- L3 = LIGHT FOR S3
- L4 = LIGHT FOR S4
- L5 = LIGHT FOR S5
- L6 = LIGHT FOR S6
- L7 = LIGHT FOR S7
- L8 = LIGHT FOR S8
- L9 = LIGHT FOR S9
- L10 = POWER ON
- L11 = BACKWASH INDICATOR
- L12 = LIGHT FOR S10
- PS1 = PRESSURE SWITCH, 30-50 PSI, TRANSFER PUMP
- PS2 = PRESSURE SWITCH, PH/ORP PUMPS
- F1 = FLOAT, N.O. BLUE, PIT, SUMP PUMP
- F2 = FLOAT, N.O. BLUE, HOLDING TANK, FILTER PUMP
- F3 = FLOAT, N.C. RED, PRODUCT TANK, FILTER PUMP
- F4 = FLOAT, N.O. BLUE, PRODUCT TANK, TRANSFER PUMP
- F5 = FLOAT, N.C. RED, PIT, FRESHWATER MAKE-UP
- F6 = FLOAT, N.O./N.C. RED, PIT, RAINWATER OVERFLOW
- F7 = FINGER FLOAT, N.C. HOLDING TANK, SUMP PUMP
- SV1 = SOLENOID VALVE, FRESHWATER MAKE-UP
- SV2 = SOLENOID VALVE, RAINWATER OVERFLOW
- SV3 = SOLENOID VALVE, TIMER/RECIRCULATION
- SV4 = SOLENOID VALVE, AB FLOW CONTROL
- T1A = 24H TIMER, AUTO-BACKWASH, TIMED CLOSED
- T1B = 24H TIMER, RECIRCULATION, TIMED CLOSED
- PB1 = PUSH BUTTON SWITCH, INITIATE AUTO-BACKWASH
- H = HOUR METER, SUMP PUMP



WIRE DIAGRAM (THREE PHASE)



FUSE CHART		OVERLOAD SETTING	
F1	15A XLDR	CR1	5.0A
F2	15A XLDR	CR2	5.0A
F3	15A XLDR	CR3	11.7A
F4	15A XLDR		
F5	15A XLDR		
F6	20A XLDR		
F7	20A XLDR		
F8	20A XLDR		
F9	20A XLDR		
F10	1.0A XLDR		
F11	1.0A XLDR		
F12	2.0A FLA		



WIRE DIAGRAM WLP-40AB-0M31 063009-PJH

Manufactured by Mi-T-M
8650 Enterprise Drive, Peosta IA 52068
563-556-7484/ Fax 563-556-1235