



PARTS LIST FOR
BIO-20R-0M10
BIO-20R-0M30
BIO-20R-1M10
BIO-20R-1M30
WATER TREATMENT SYSTEM

Congratulations on the purchase of your new Mi-T-M water treatment system! This parts listing has been compiled for your benefit. You can be assured your Mi-T-M water treatment system was constructed and designed with quality and performance in mind. Each component has been rigorously tested to insure the highest level of acceptance.

The contents of this parts listing are based on the latest product information available at the time of publication. Mi-T-M reserves the right to make changes in price, color, materials, equipment, specifications or models at any time without notice.

WARNING

THIS IS A PROFESSIONAL WATER TREATMENT SYSTEM. CAUTION SHOULD BE OBSERVED WHEN USING OR REPAIRING THIS UNIT! READ AND FOLLOW THE SAFETY WARNINGS LISTED BELOW BEFORE ATTEMPTING ANY REPAIRS ON THIS WATER TREATMENT SYSTEM!

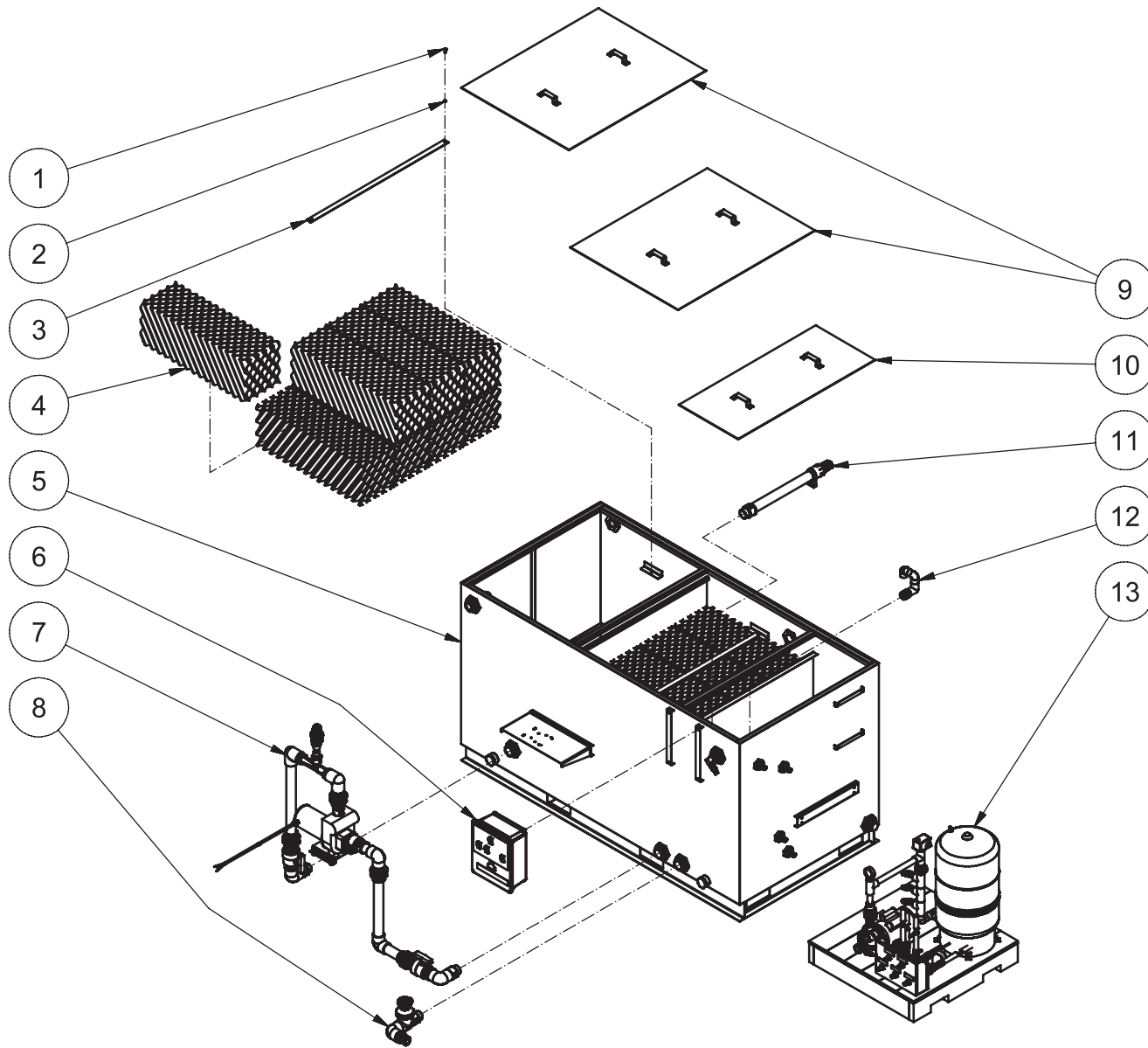
SAFETY WARNINGS

1. Serious injury or death could occur if the water treatment system is not properly grounded. Your water treatment system is powered by electricity and may cause electric shock or electrocution if not installed properly. Installation to this unit, including all electrical connections, must comply with all local, state and national codes. Any electrical wiring or repairs performed on this water treatment system should be done by Authorized Service Personnel in accordance with National and Local electrical codes.
2. NEVER alter or modify the equipment. Use only genuine Mi-T-M parts for repair of your water treatment system. Failure to do so can cause hazardous operating conditions and will VOID warranty.
3. Know how to stop and bleed pressures quickly. Be thoroughly familiar with controls. Do not operate without protective cover/guards. Follow the maintenance instructions specified in your operator's manual.
4. Before servicing, ALWAYS shut off the water and the unit. Allow the unit to cool down. NEVER assume the water treatment system is safe to work on just because it is not operating. It could restart at any time! ALWAYS disconnect from the power source. Service in a clean, dry flat area.
5. Be especially careful to properly dispose of any flammable materials. Consult Materials Safety Data Sheets for safe handling of chemicals used with your system, especially oxidizers and acids.

Table of Contents

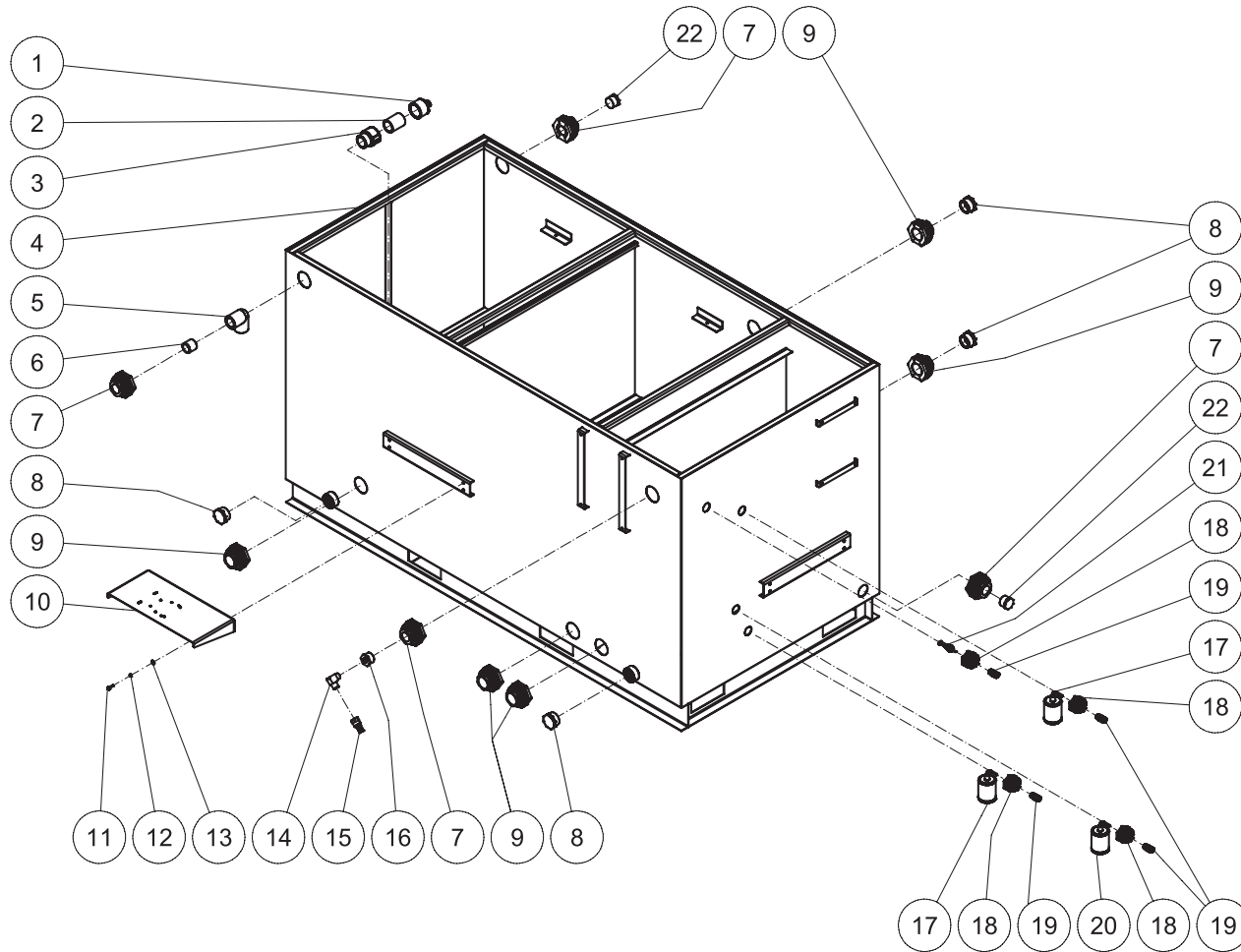
MAIN ASSEMBLY	4
TANK ASSEMBLY	6
LARGE TANK LID ASSEMBLY	8
SMALL TANK LID ASSEMBLY	9
AERATION PLUMBING	10
AERATION PUMP ASSEMBLY	12
AERATION PUMP (3-0319 THREE PHASE AND 3-0329 SINGLE PHASE).....	14
SKID ASSEMBLY	16
TRANSFER PUMP ASSEMBLY	18
TRANSFER PUMP (3-0218 SINGLE PHASE AND 3-0324 THREE PHASE).....	20
MANIFOLD ASSEMBLY	22
SOLINOID VALVES (22-0442).....	24
PLUMBING: FRESH WATER MAKE-UP	26
PLUMBING: OUTLET (INSIDE)	27
PLUMBING: OUTLET	28
SUMP PIT ASSEMBLY	29
CONTROL PANEL BIO-20R-0M10 (1M10)	30
CONTROL PANEL BIO-20R-0M30 (1M30)	32
ELECTRICAL SCHEMATIC (SINGLE PHASE)	34
ELECTRICAL DIAGRAM (SINGLE PHASE)	35
ELECTRICAL SCHEMATIC (THREE PHASE).....	36
ELECTRICAL DIAGRAM (THREE PHASE).....	37

MAIN ASSEMBLY



BIO-20R 082409 PJH			
BIO 20R			
ITEM	DESCRIPTION	PART #	QTY
1	BOLT	27-5016	2
2	WASHER	28-0121	2
3	STRAP	12-013515	2
4	MEDIA	33-0337	16
5	TANK ASSEMBLY	N/A	1
6	CONTROL PANEL ASSEMBLY	N/A	1
7	AERATOR PLUMBING	N/A	1
8	OUTLET PLUMBING	N/A	1
9	LARGE LID BIO (DS) (RS)	N/A	2
10	SMALL LID BIO (DS)	N/A	1
11	OUTLET PLUMBING (INSIDE)	N/A	1
12	FRESHWATER MAKEUP PLUMBING	N/A	1
13	SKID ASSEMBLY	N/A	1

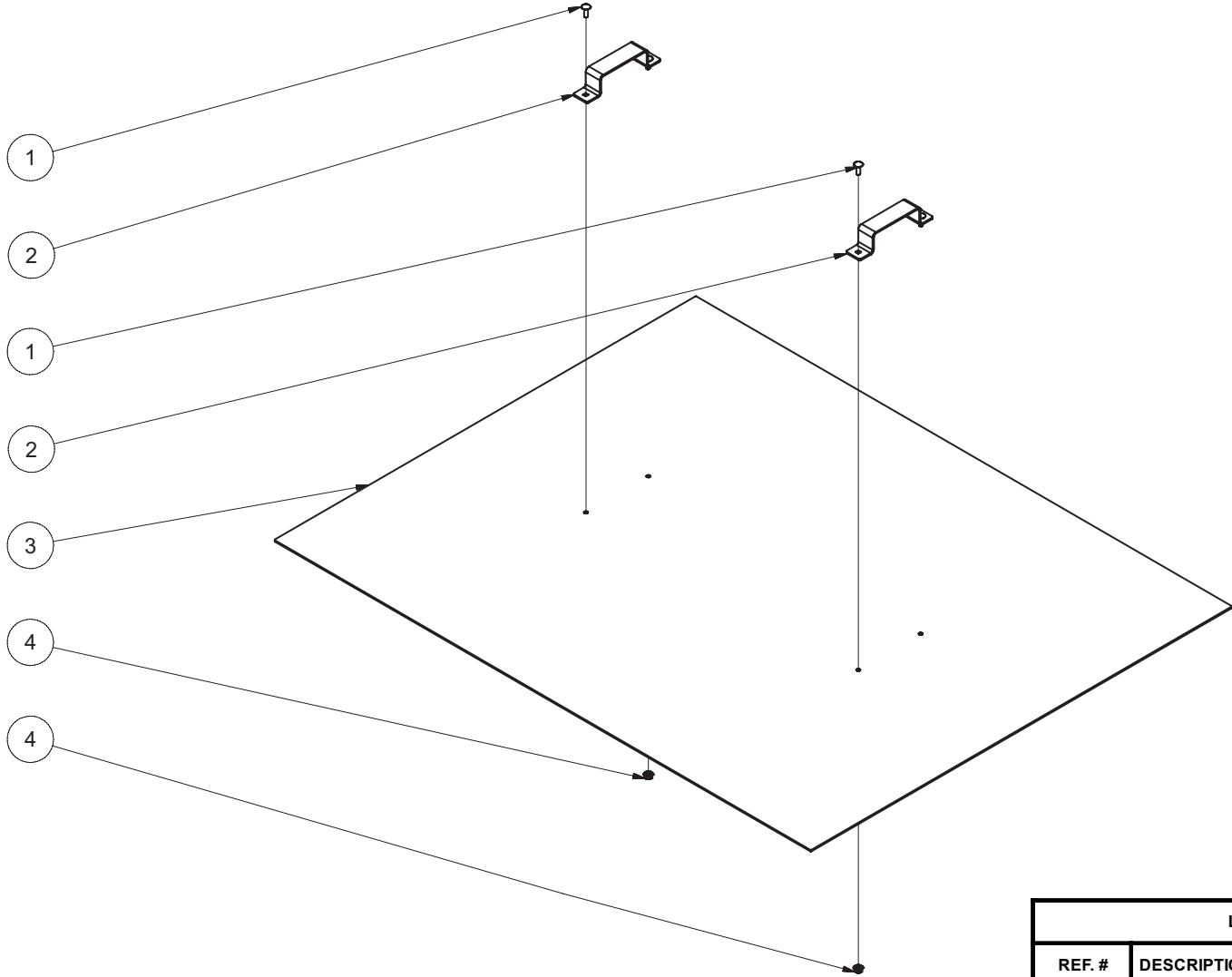
TANK ASSEMBLY



TANK ASSY-BIO 20R-082509-PJH

BIO-25R TANK ASSY 082509 PJH			
TANK ASSEMBLY			
ITEM	DESCRIPTION	PART #	QTY
1	REDUCER	55-1894	1
2	PIPE (ONE FOOT REQUIRED)	55-1800	1
3	ADAPTER	55-1822	1
4	TANK	12-9149	1
-	BIO-20 TANK ALUMINUM	12-0167	1
5	ELBOW	55-1610	1
6	NIPPLE	55-1674	1
7	BULKHEAD	55-1686	4
8	PLUG	55-1840	4
9	BULKHEAD	55-1886	5
10	PUMP SHELF	12-014908	1
11	BOLT	27-8962	4
12	LOCKWASHER	29-1006	4
13	WASHER	28-0122	4
14	ELBOW	23-0364	1
15	HOSE BARB	23-0358	1
16	REDUCER	55-1635	1
17	FLOAT	32-0663	2
18	BULKHEAD	55-0886	4
19	STRAIN RELIEF	32-0437	4
20	FLOAT	32-0664	1
21	SWITCH	32-0533	1
22	PLUG	55-1640	2

LARGE TANK LID ASSEMBLY

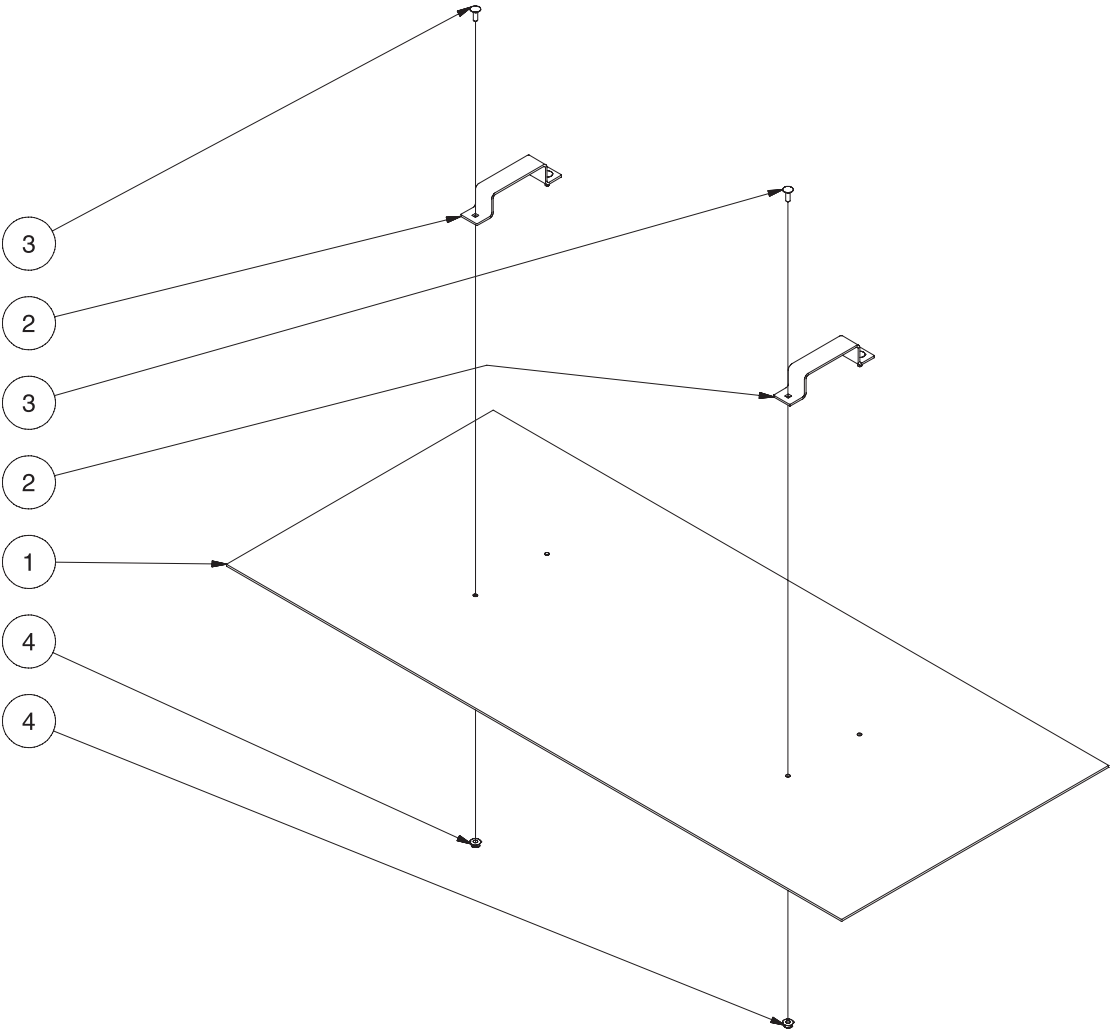


LARGE TANK LID ASSY-092506-PJH

LARGE TANK LID-092506-PJH

LARGE TANK LID ASSEMBLY			
REF. #	DESCRIPTION	PART#	QTY.
1	Tank Lid	56-0043	1
2	Handle	56-0040	2
3	Bolt	31-5027	4
4	Hex Nut	30-5202	4

SMALL TANK LID ASSEMBLY

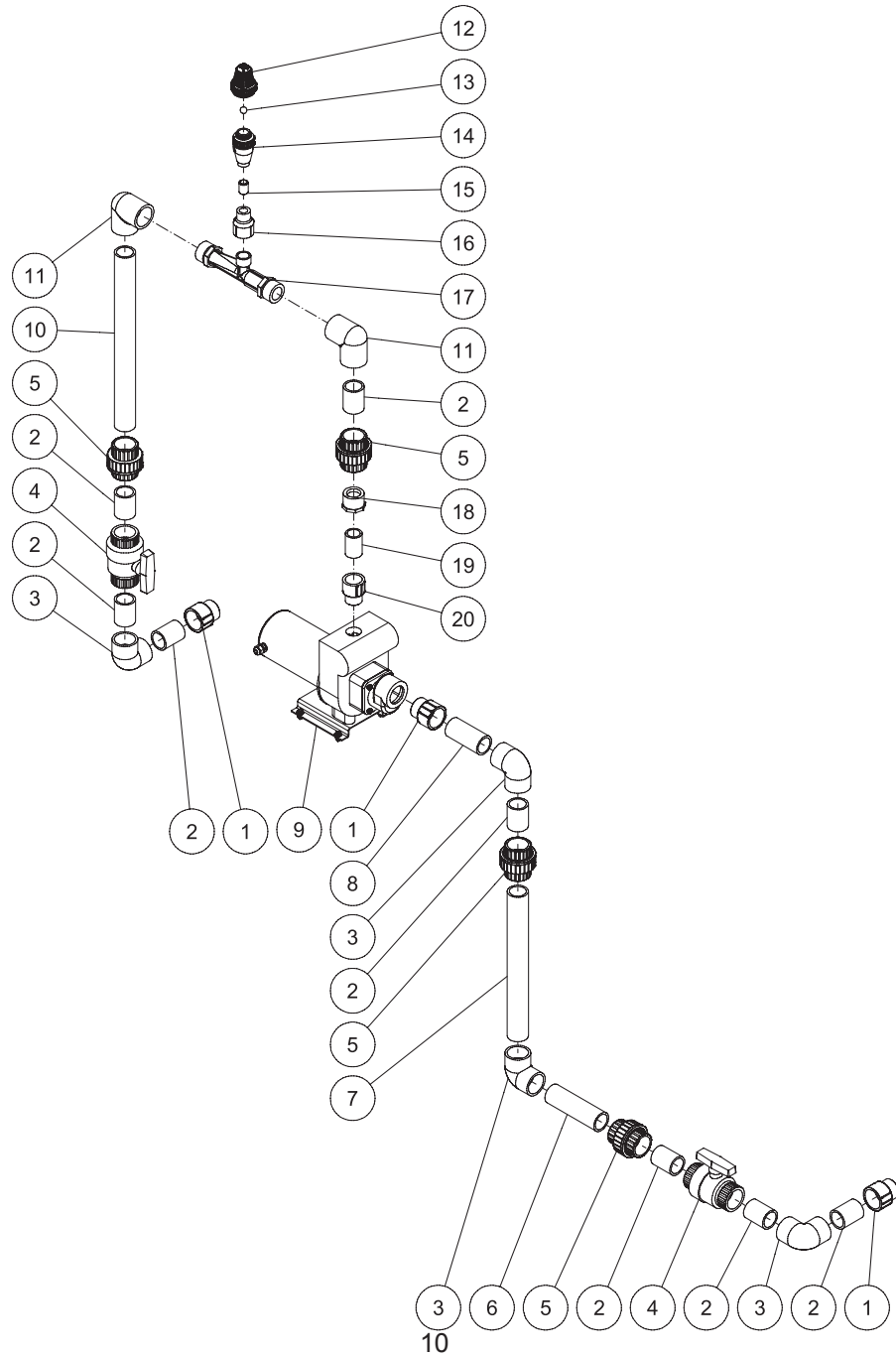


SMALL TANK LID ASSY-123003-ASY

SMALL TANK LID-123003-ASY

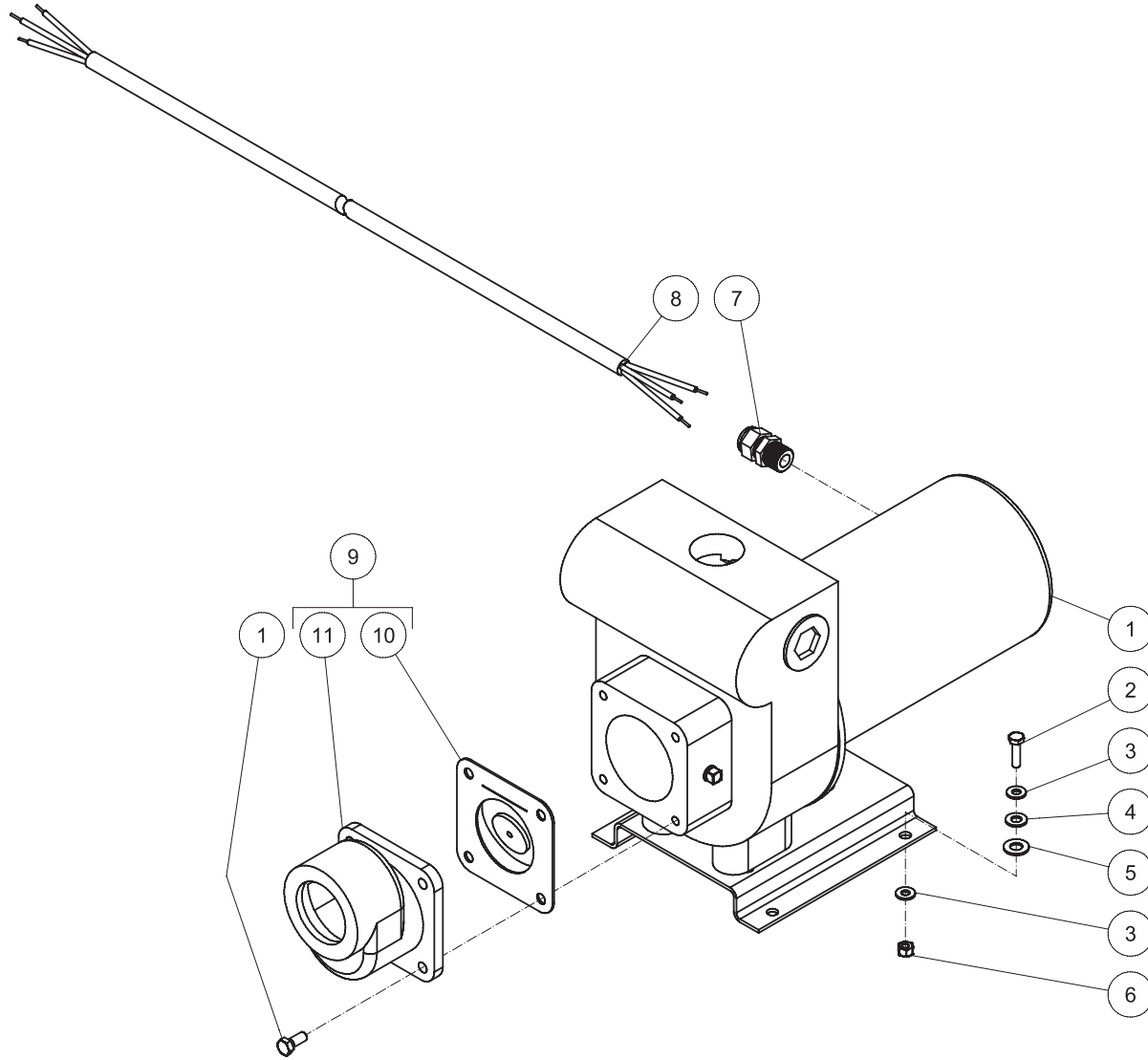
SMALL TANK LID ASSEMBLY			
REF. #	DESCRIPTION	PART#	QTY.
1	Tank Lid	56-0043	1
2	Handle	56-0040	2
3	Bolt	31-5027	4
4	Hex Nut	30-5202	4

AERATION PLUMBING



BIO-20R AERATOR PLUMBING 082409-PJH			
AERATION PLUMBING			
ITEM	DESCRIPTION	PART #	QTY
1	ADAPTER	55-1822	3
2	PIPE (ONE FOOT REQUIRED)	55-1800	8
3	ELBOW	55-1809	4
4	BALL VALVE	55-1855	2
5	UNION	55-1845	4
6	PIPE (TWO FEET REQUIRED)	55-1800	1
7	PIPE (THREE FEET REQUIRED)	55-1800	1
8	PIPE (ONE FOOT REQUIRED)	55-1800	1
9	AERATOR PUMP ASSEMBLY	N/A	1
10	PIPE (THREE FEET REQUIRED)	55-1800	1
11	ELBOW	55-1810	2
12	STRAINER KIT	55-0082	1
13	BALL	62-0172	1
14	CHECK VALVE	55-1053	1
15	NIPPLE	55-1074	1
16	COUPLER	55-1491	1
17	MAZZEI	55-0068	1
18	REDUCER	55-1823	1
19	PIPE (ONE FOOT REQUIRED)	55-1600	1
20	ADAPTER	55-1622	1

AERATION PUMP ASSEMBLY

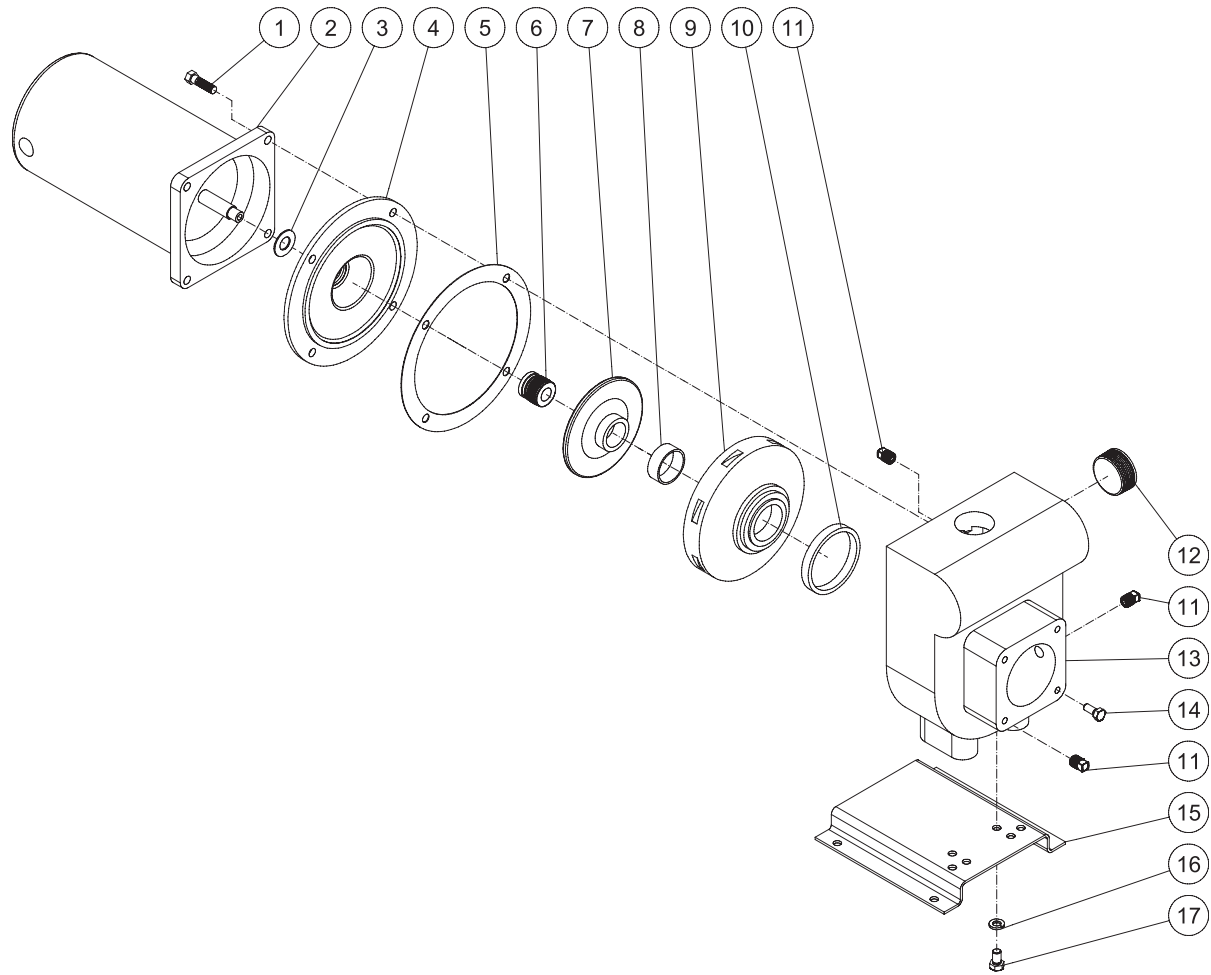


BIO-20R AERATOR PUMP ASSEMBLY 082409-PJH

BIO-20R AERATOR PUMP ASSEMBLY 082409-PJH

AERATION PUMP ASSEMBLY			
ITEM	DESCRIPTION	PART #	QTY
1	PUMP	3-0329	1
-	PUMP-FILTER SP CF 1.5HP 3PH	3-0319	1
2	BOLT	27-8962	4
3	WASHER	28-0121	8
4	WASHER	28-0122	4
5	WASHER	28-0123	4
6	LOCKNUT	30-5155	4
7	STRAIN RELIEF	32-0437	1
8	CORD 14/3 - PER FOOT (FIFTEEN FEET REQUIRED)	32-0445	1
-	CORD 14/4 - PER FOOT (FIFTEEN FEET REQUIRED)	32-1056	1
9	FLANGE	33-0495	1
10	GASKET	26-0347	1
11	FLANGE	N/A	1

AERATION PUMP (3-0319 THREE PHASE AND 3-0329 SINGLE PHASE)



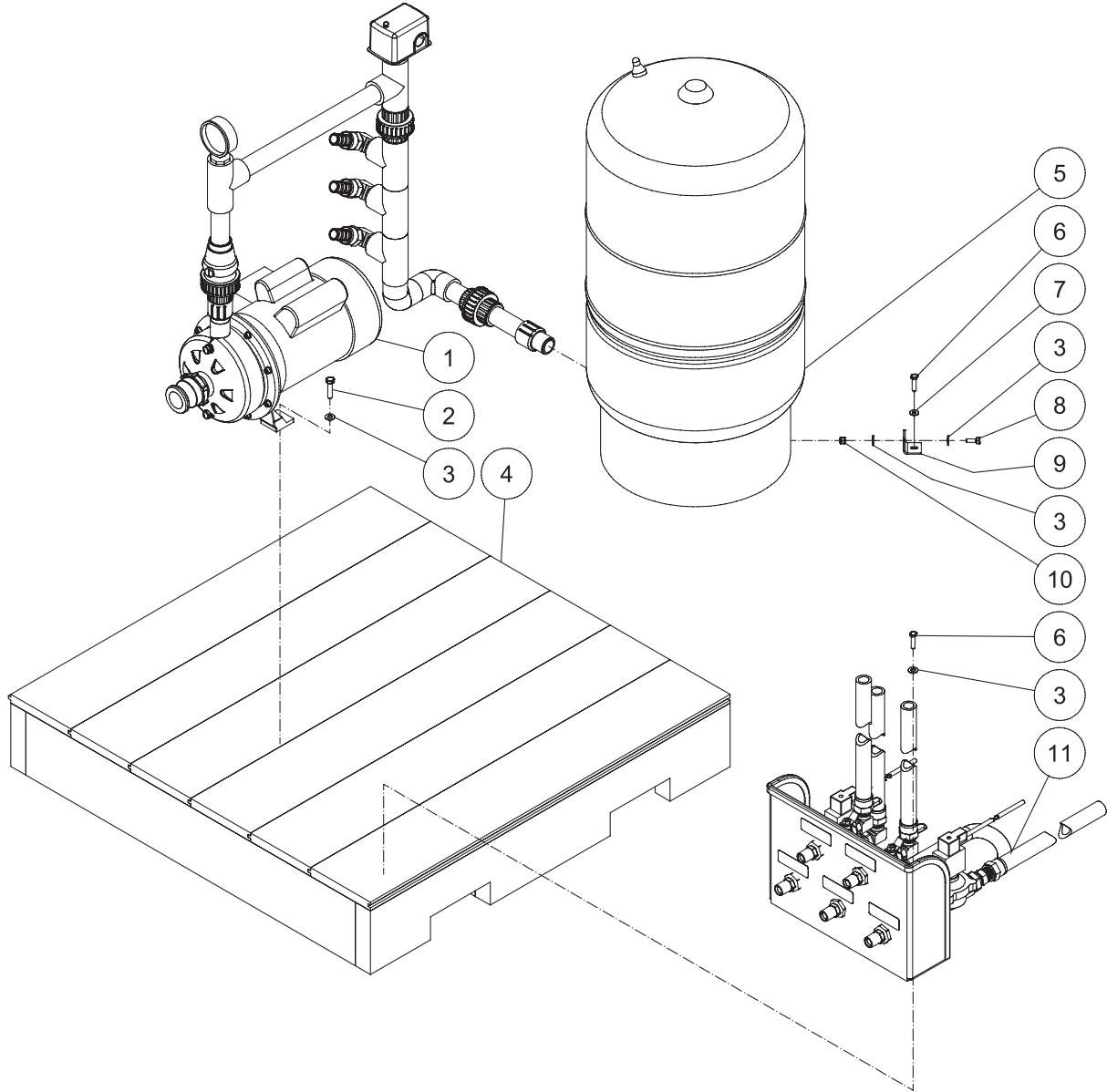
3-0329 081109 -P.JH

3-0319_3-0329 052710-PJH

AERATION PUMP

ITEM	DESCRIPTION	Mi-T-M #	QTY
1	BOLT	27-0118	4
2	MOTOR	N/A	1
3	WATER SLINGER	46-1386	1
4	SEAL PLATE	N/A	1
5	GASKET	26-0353	1
6	SHAFT SEAL	26-0354	1
7	IMPELLER	N/A	1
8	WEAR RING	46-1387	1
9	DIFFUSER	N/A	1
10	DIFFUSER RING	46-1388	1
11	PLUG	24-0009	3
12	PLUG	24-0309	1
13	PUMP BODY	N/A	1
14	BOLT	27-0066	4
15	BASE	N/A	1
16	LOCKWASHER	29-0008	2
17	BOLT	N/A	2
	COMPLETE PUMP (SINGLE PHASE)	3-0329	1
	COMPLETE PUMP (THREE PHASE)	3-0319	1

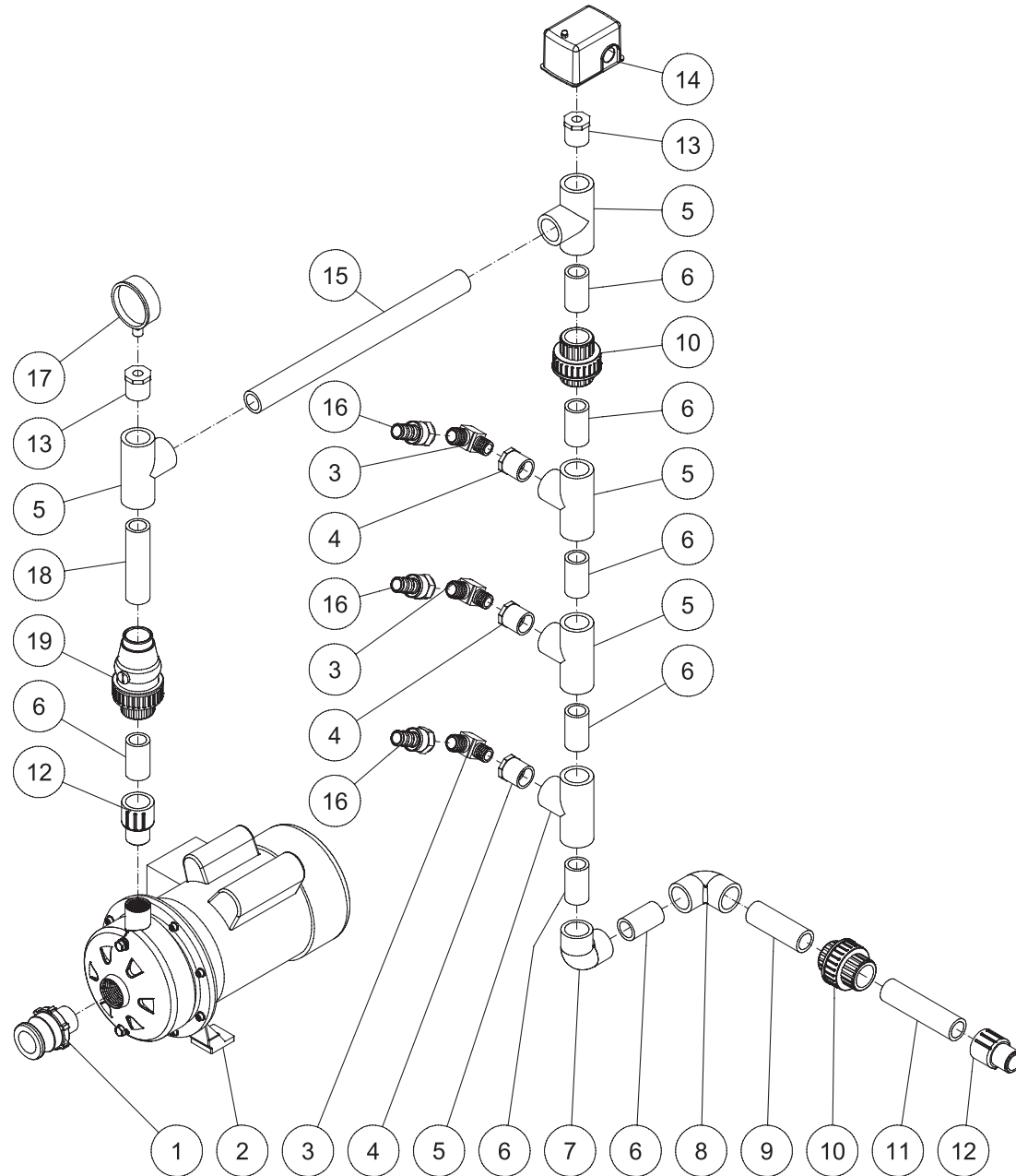
SKID ASSEMBLY



BIO-20R SKID ASSEMBLY 082509-PJH

SKID ASSEMBLY 082509-PJH			
SKID ASSEMBLY			
ITEM	DESCRIPTION	PART #	QTY
1	TRANSFER PUMP PLUMBING	N/A	1
2	BOLT	27-5276	2
3	WASHER	28-0122	13
4	PALLET	35-0049	1
5	PRESSURE TANK	12-0081	1
6	BOLT	27-5277	8
7	WASHER	28-0121	4
8	BOLT	27-5016	4
9	BRACKET	21-0127	4
10	LOCKNUT	30-5155	3
11	MANIFOLD ASSEMBLY	N/A	1

TRANSFER PUMP ASSEMBLY

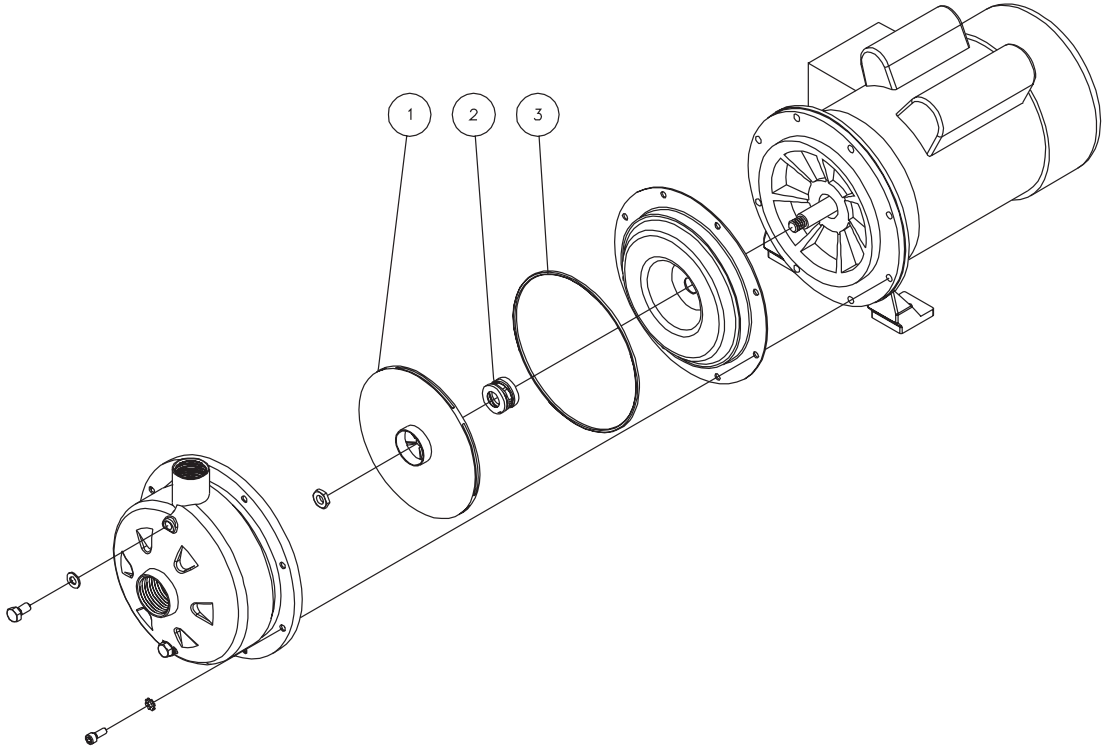


BIO-20R TRANSFER PUMP PLUMBING 082509-PJH

TRANSFER PUMP PLUMBING

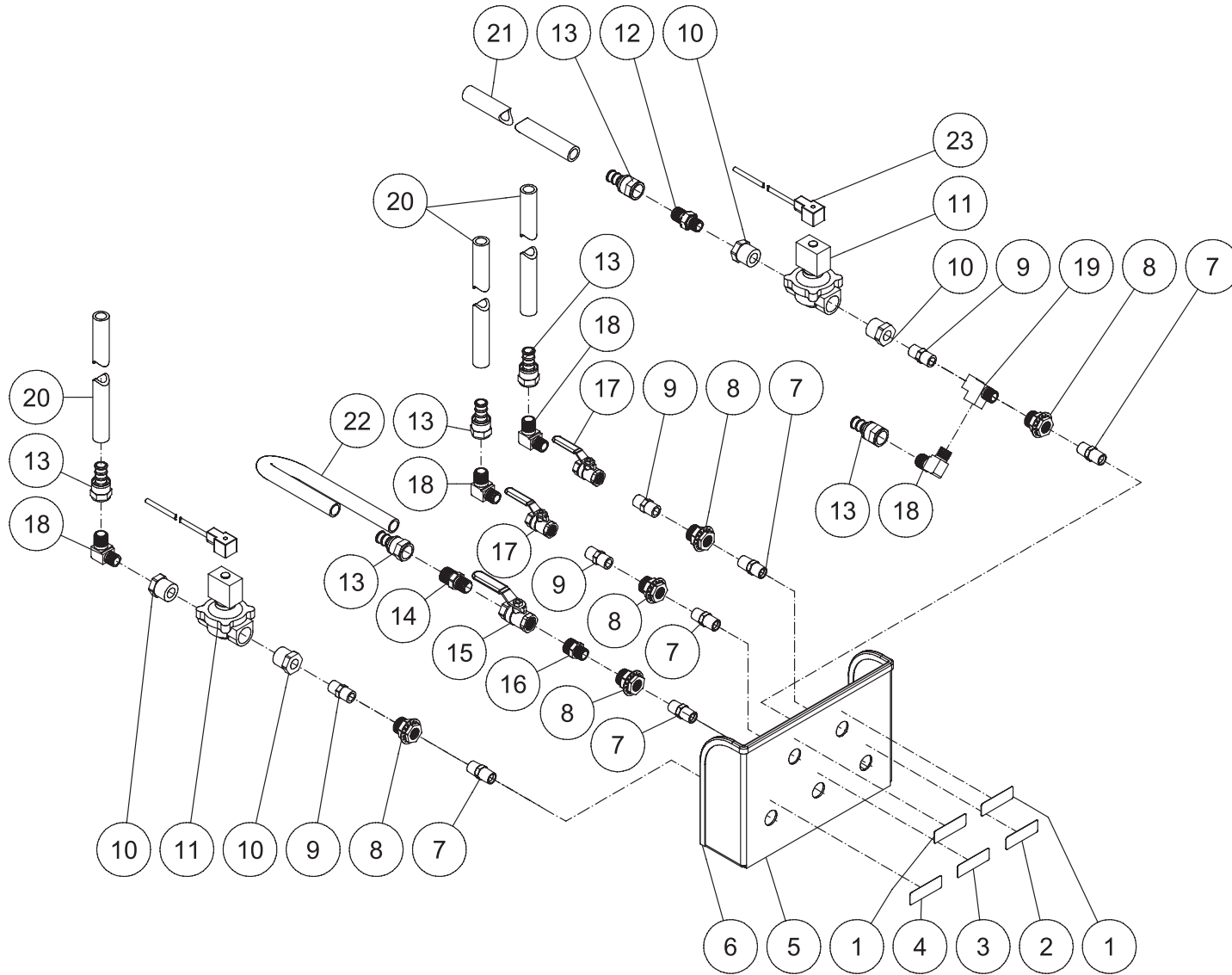
ITEM	DESCRIPTION	PART #	QTY
1	ADAPTER	55-0061	1
2	PUMP	3-0218	1
-	TRANSFER PUMP - 2HP - SS HEAD 3 PH	3-0324	1
3	ELBOW	23-0363	3
4	REDUCER	55-1229	3
5	TEE	55-1201	5
6	PIPE (ONE FOOT REQUIRED)	55-1200	7
7	ELBOW	55-1209	1
8	ELBOW	55-1209	1
9	PIPE (ONE FOOT REQUIRED)	55-1200	1
10	UNION	55-1245	2
11	PIPE (ONE FOOT REQUIRED)	55-1200	1
12	ADAPTER	55-1222	2
13	REDUCER	55-1231	2
14	PRESSURE SWITCH	22-0304	1
15	PIPE (TWO FEET REQUIRED)	55-1200	1
16	BARB	23-0358	3
17	PRESSURE GAUGE	22-0305	1
18	PIPE (ONE FOOT REQUIRED)	55-1200	1
19	CHECK VALVE	55-1252	1

TRANSFER PUMP (3-0218 SINGLE PHASE AND 3-0324 THREE PHASE)



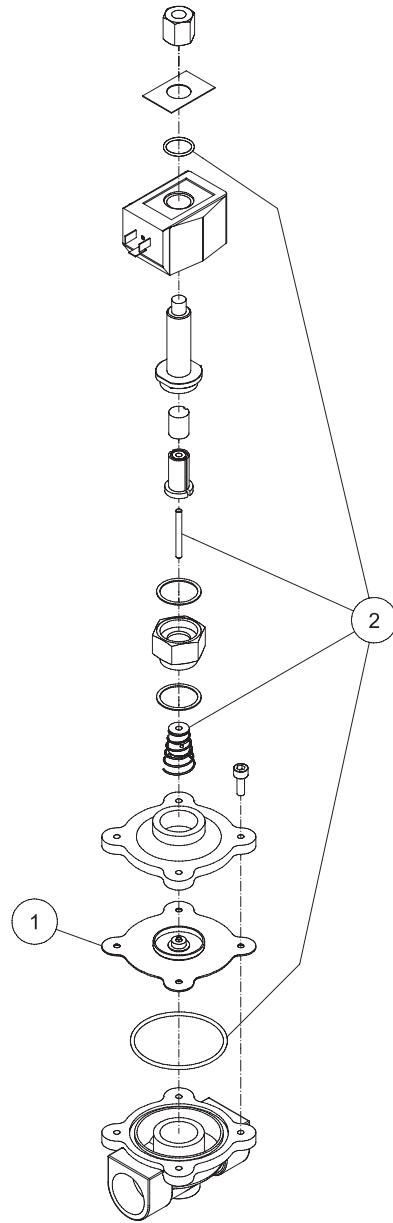
3-0324_3-0218-070202-KS			
TRANSFER PUMP			
REF. #	DESCRIPTION	PART #	QTY.
1	Impeller	46-1073	1
2	Seal	26-0266	1
3	O-ring	25-0540	1
	Complete Transfer Pump (Single phase)	3-0218	
	Complete Transfer Pump (Three phase)	3-0324	

MANIFOLD ASSEMBLY



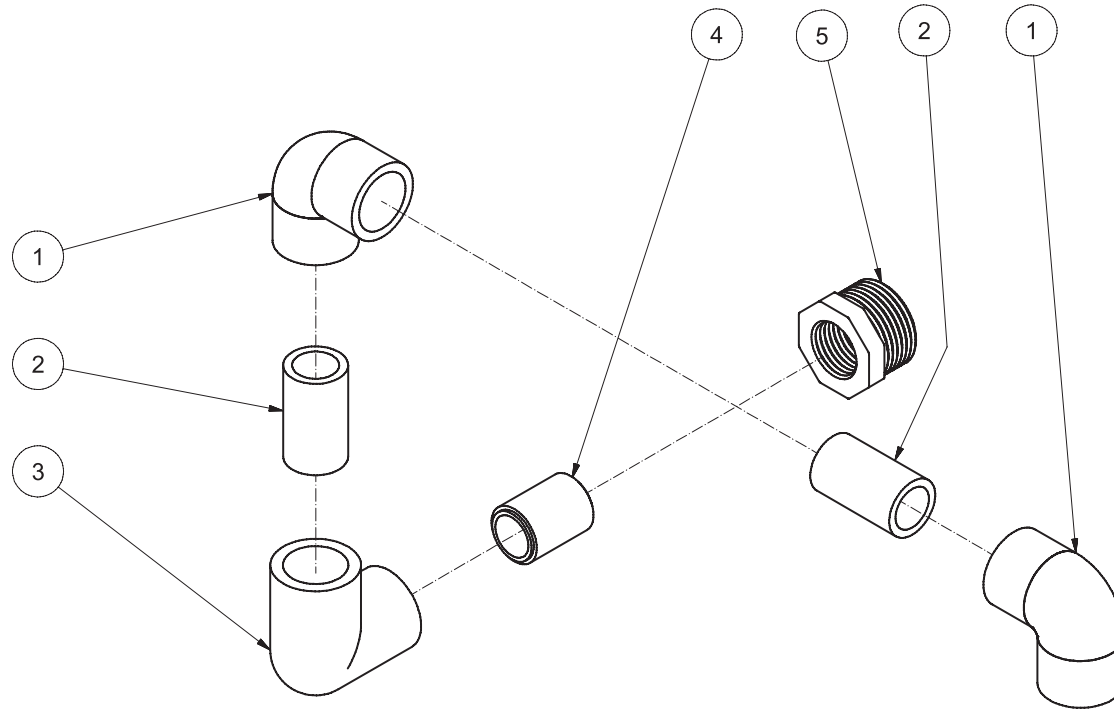
BIO-20R MANIFOLD ASSEMBLY 082409-PJH			
MANIFOLD ASSEMBLY			
ITEM	DESCRIPTION	PART #	QTY
1	DECAL	34-0877	2
2	DECAL	34-0879	1
3	DECAL - RINSE WATER OUTLET	34-0876	1
4	DECAL	34-0878	1
5	MANIFOLD BRACKET	21-0230	1
6	EDGING (FOUR FEET REQUIRED)	33-0020	1
7	ADAPTER	23-0442	5
8	ADAPTER	23-0365	5
9	NIPPLE	23-0012	4
10	REDUCER	23-0226	4
11	SOLENOID-NC	22-0442	2
12	NIPPLE	23-0359	1
13	HOSE BARB	23-0358	6
14	NIPPLE	23-0362	1
15	BALL VALVE	22-0279	1
16	NIPPLE	23-0082	1
17	BALL VALVE	22-0278	2
18	ELBOW	23-0363	4
19	TEE	23-0124	1
20	HOSE (THREE FEET REQUIRED)	15-0033	3
21	HOSE (TWENTY FEET REQUIRED)	15-0033	1
22	HOSE (TWO FEET REQUIRED)	15-0033	1
23	CORDSET	32-0786	2

SOLINOID VALVES (22-0442)



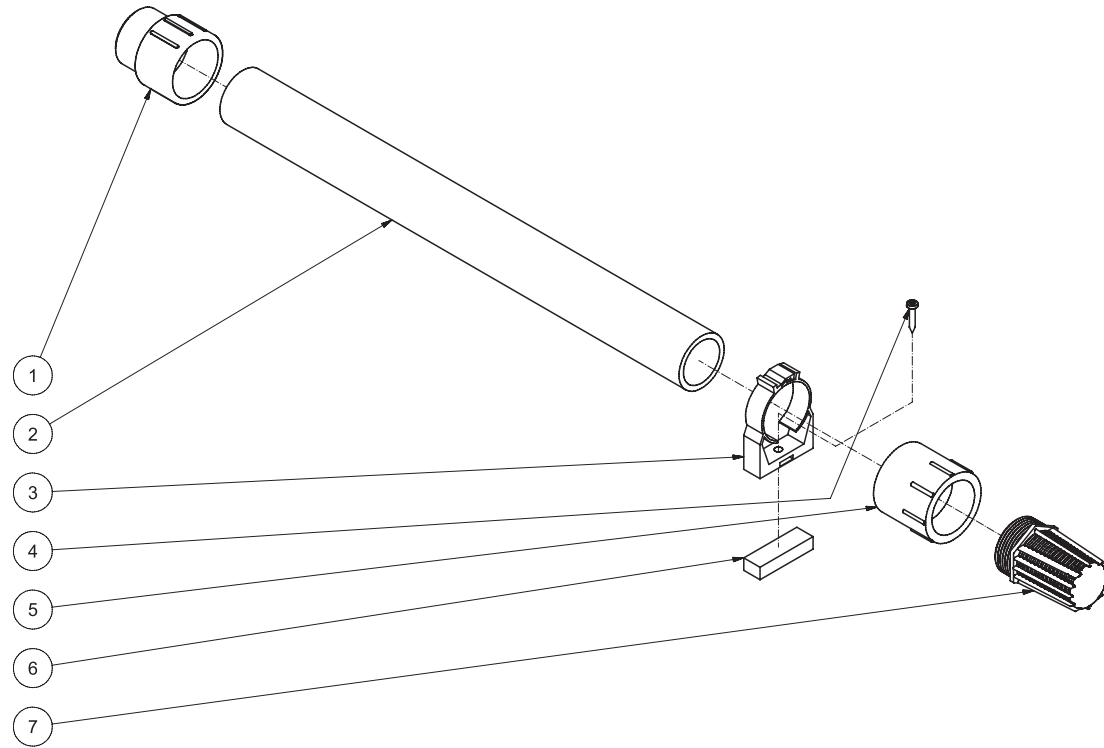
22-0442 041910-PJH			
SOLENOID			
ITEM	DESCRIPTION	PART #	QTY
1	KIT - REPLACEMENT DIAPHRAGM	70-0492	1
2	KIT - REPLACEMENT O-RINGS, SPRING, & PLUNGER	70-0493	1

PLUMBING: FRESH WATER MAKE-UP



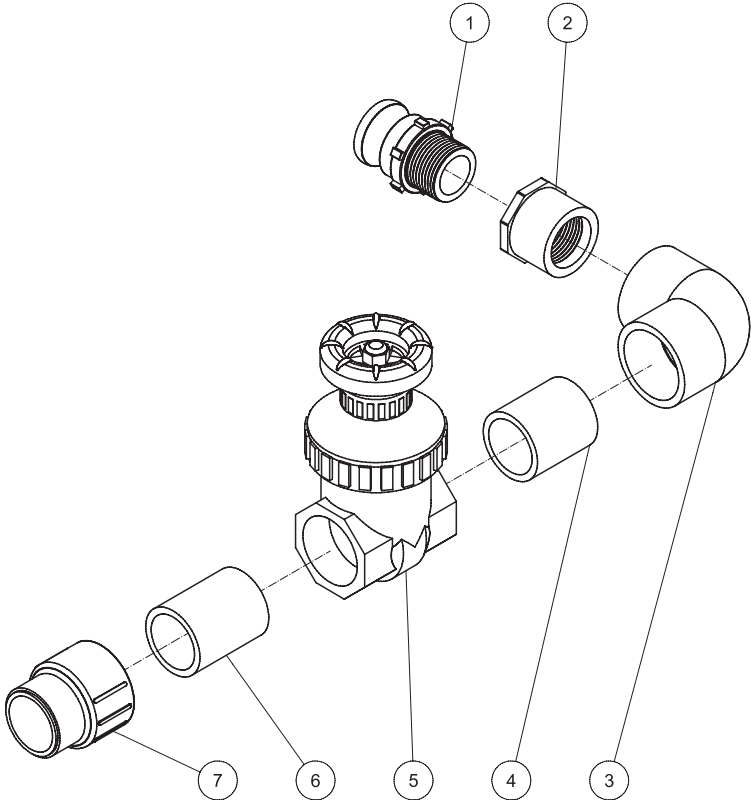
BIO-20R FRESHWATER MAKEUP PLUMBING INSIDE 082409 PJH			
PLUMBING: FRESHWATER MAKE-UP			
ITEM	DESCRIPTION	PART #	QTY
1	ELBOW	55-1209	2
2	PIPE (ONE FOOT REQUIRED)	55-1200	2
3	ELBOW	55-1210	1
4	NIPPLE	55-1274	1
5	REDUCER	55-1634	1

PLUMBING: OUTLET (INSIDE)



BIO-20R OUTLET PLUMBING (INSIDE) 082409-PJH			
PLUMBING: OUTLET (INSIDE)			
ITEM	DESCRIPTION	PART #	QTY
1	ADAPTER	55-1822	1
2	PIPE (TWO FEET REQUIRED)	55-1800	1
3	PIPE CLAMP	42-0040	1
4	SCREW	27-5278	1
5	ADAPTER	55-1821	1
6	PLASTIC WOOD SPACER	N/A	1
7	SCREEN	19-0205	1

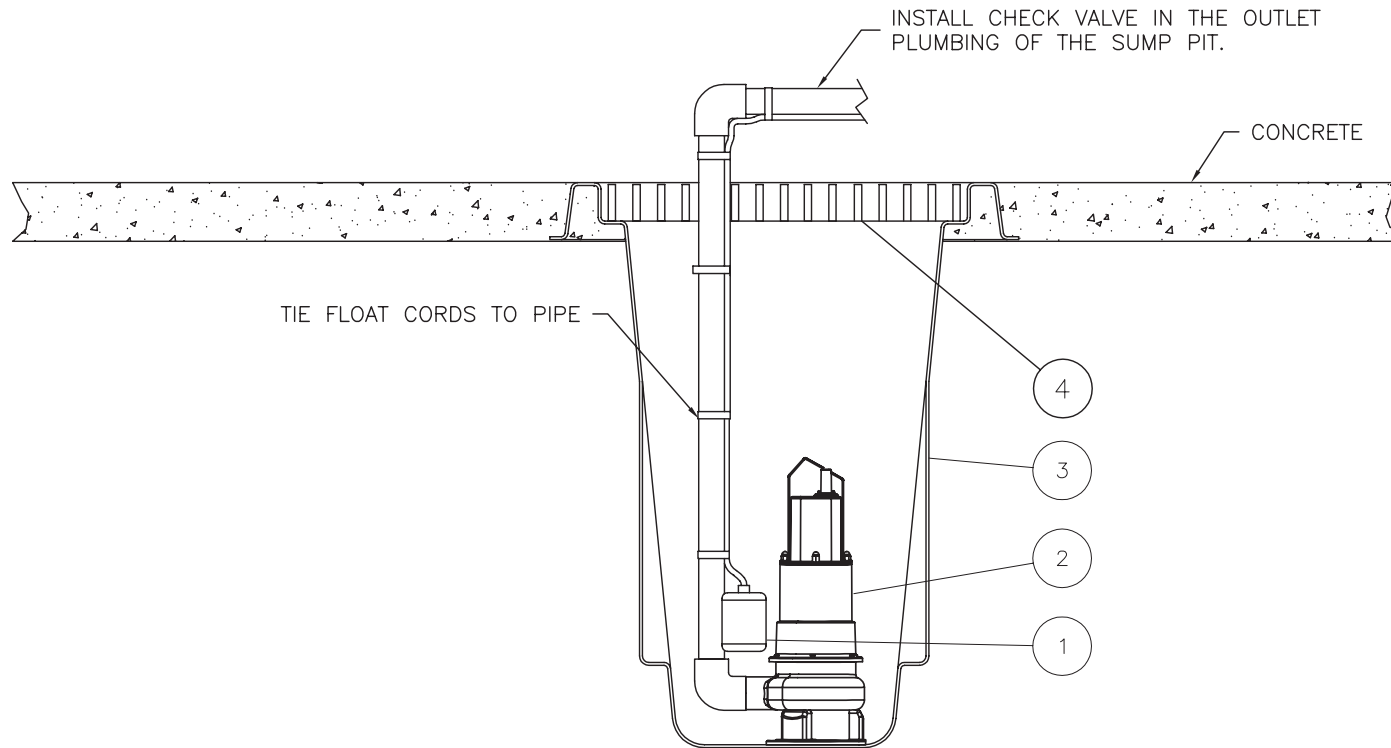
PLUMBING: OUTLET



BIO-20R OUTLET PLUMBING 082409-PJH			
PLUMBING: OUTLET			
ITEM	DESCRIPTION	PART #	QTY
1	ADAPTER	55-0024	1
2	REDUCER	55-1828	1
3	ELBOW	55-1809	1
4	PIPE (ONE FOOT REQUIRED)	55-1800	1
5	GATE VALVE	55-1871	1
6	PIPE (ONE FOOT REQUIRED)	55-1800	1
7	ADAPTER	55-1822	1

BIO-20R OUTLET PLUMBING 082409-PJH

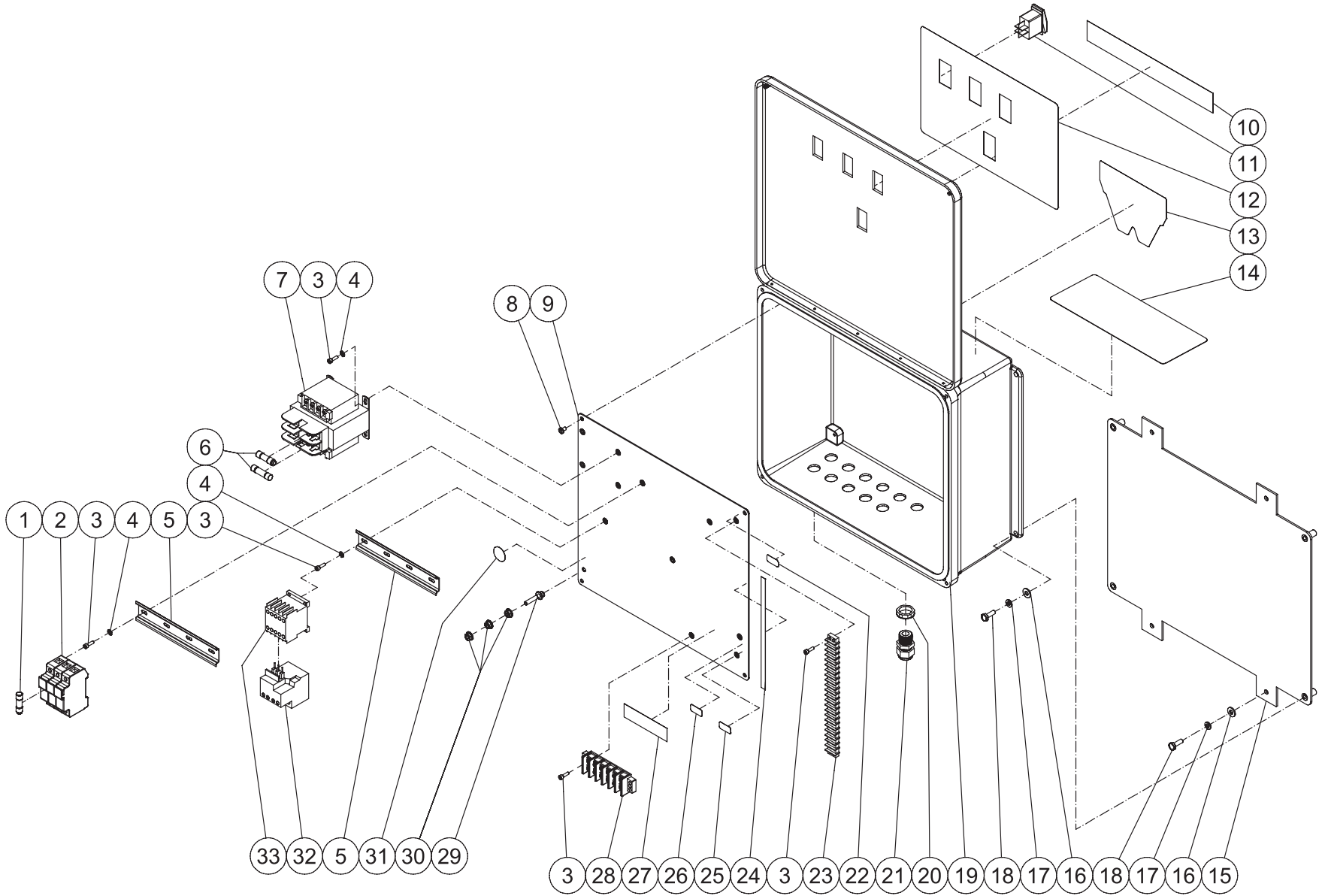
SUMP PIT ASSEMBLY



SUMP PIT ASSY-010509-PJH			
SUMP PIT ASSEMBLY			
REF. #	DESCRIPTION	PART#	QTY.
1	Float	32-0528	1
2	Pump (Single Phase 230V)	3-0216	1
-	Pump (Three Phase 208-230V)	3-0325	1
-	Pump (Three Phase 460V)	3-0326	1
3	Pit	12-0071	1
4	Medium Grate	20-0480A01	1

CONTROL PANEL ASSEMBLY 041309-CAW			
CONTROL PANEL ASSEMBLY			
ITEM	DESCRIPTION	PART #	QTY
1	FUSE	32-1024	2
-	FUSE	32-1027	4
2	FUSE HOLDER	32-1006	3
3	SCREW	27-8835	10
4	STAR WASHER	28-1009	6
5	DIN RAIL (ONE FOOT REQUIRED)	32-0316	1
6	FUSE	32-1028	1
7	FUSE	32-0740	2
8	TRANSFORMER	32-0735	1
9	SCREW	27-8933	4
10	DECAL - 1.5" X 10.5" STRIPE	34-2267	1
11	DECAL - Mi-T-M	34-2167	1
12	DECAL - BIO ELECTRIC BOX	34-1306	1
13	ROCKER SWITCH	32-0669	4
14	ELECTRIC BOX	32-1030	1
15	BOLT	27-5016	4
16	LOCKWASHER	29-1006	4
17	WASHER	28-0121	4
18	DECAL - OPERATION	34-0984	1
19	ELECTRICAL LOCKNUT	32-0108	11
20	STRAIN RELIEF	32-0437	11
21	DECAL - 115 VOLT (SEE 34-1009)	N/A	1
22	TERMINAL STRIP	32-0463	1
23	ELECTRICAL PLATE	20-0520A06	1
24	DECAL-TERMINAL STRIP 1-22	34-1481	1
25	DECAL - 1 PHASE	34-0964	1
26	DECAL - 230 VOLT *(SEE 34-1009)	N/A	1
27	DECAL - TERMINAL STRIP 32-36	34-0990	1
28	TERMINAL BLOCK	32-0536	1
29	DECAL- GROUND PICTORAL *(SEE 34-1009)	N/A	1
30	BOLT	27-8898	1
31	NUT	30-3022	3
32	DIN RAIL (ONE FOOT REQUIRED)	32-0316	1
33	OVERLOAD	32-1015	1
-	OVERLOAD	32-1017	2
34	CONTACTOR	32-1009	3

CONTROL PANEL BIO-20R-0M30 (1M30)

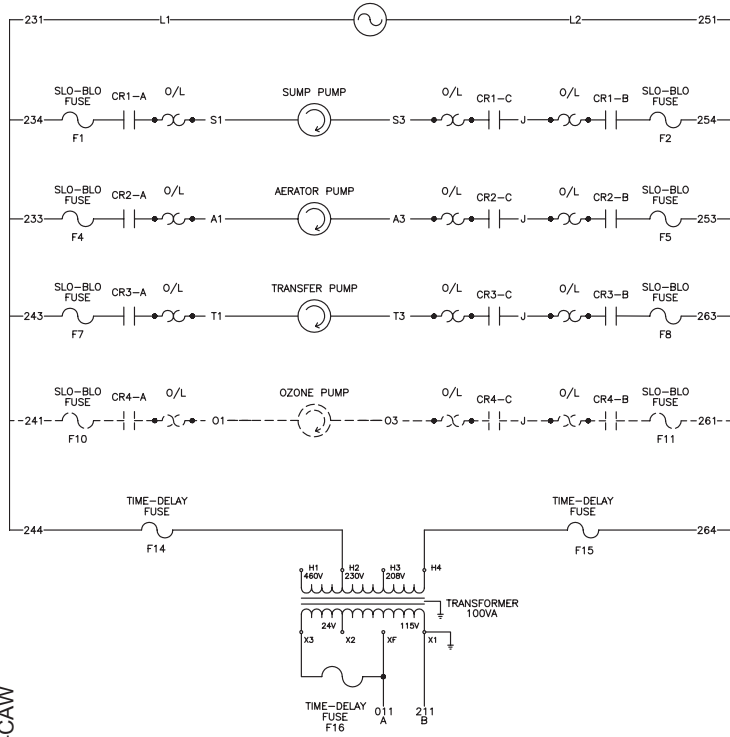


CONTROL PANEL-BIO-20R0M30(1M30) 100509 PHJ

CONTROL PANEL								
ITEM	DESCRIPTION	Mi-T-M #	QTY		ITEM	DESCRIPTION	Mi-T-M #	QTY
1	FUSE (208V/230V))	32-1024	3		17	LOCKWASHER	29-1006	8
-	FUSE (208V/230V)	32-1025	6		18	BOLT	27-5016	8
	FUSE (460V)	32-0741	3		19	ELECTRIC BOX	32-1031	1
	FUSE (460V)	32-0470	6		20	ELECTRICAL LOCKNUT	32-0108	11
2	FUSE HOLDER	32-1007	3		21	STRAIN RELIEF	32-0437	11
3	SCREW	27-8835	12		22	DECAL - 115 VOLT	N/A	1
4	STAR WASHER	28-1009	8		23	TERMINAL STRIP	32-0463	1
5	DIN RAIL *ONE FOOT REQUIRED)	32-0316	2		24	DECAL-TERMINAL STRIP 1-22	34-1481	1
6	FUSE (208V/230V)	32-0740	2		25	DECAL - 3 PHASE	34-0965	1
-	FUSE (208V/230V/460V)	32-1028	1		26	DECAL - 230 VOLT	N/A	1
-	FUSE (460V)	32-0467	2		27	DECAL - TERMINAL STRIP 32-36	34-0990	1
7	TRANSFORMER	32-0735	1		28	TERMINAL BLOCK	32-0536	1
8	SCREW	27-8933	4		29	BOLT	27-8898	1
9	ELECTRICAL PLATE	20-1065A06	1		30	NUT	30-3022	3
10	DECAL - 11" STRIPE	34-2186	1		31	DECAL- GROUND PICTORAL	N/A	1
11	ROCKER SWITCH	32-0669	4		32	OVERLOAD (208V/230V)	32-1013	1
12	DECAL - BIO ELECTRIC BOX	34-1306	1		-	OVERLOAD (208V/230V)	32-1015	2
13	DECAL - Mi-T-M	34-2169	1		-	OVERLOAD (460V)	32-1010	1
14	DECAL - OPERATION	34-0984	1		-	OVERLOAD (460V)	32-1012	2
15	MOUNTING PLATE	20-1126A01	1		33	CONTACTOR	32-1009	3
16	WASHER	28-0121	8					

ELECTRICAL SCHEMATIC (SINGLE PHASE)

230V 1Ø LADDER DIAGRAM



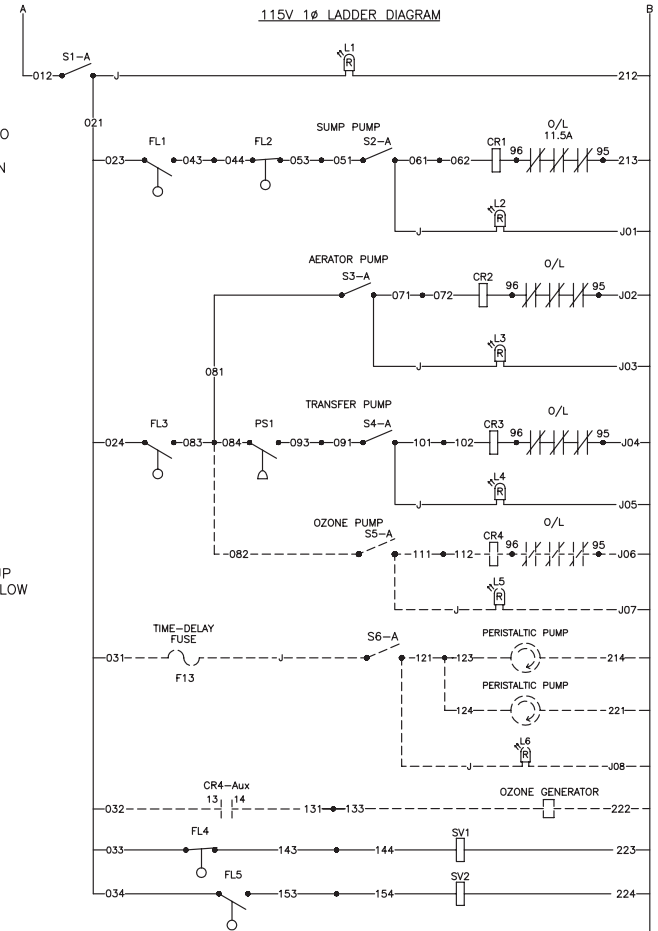
NOTES:

- 1) LADDER DIAGRAM SHOWN WITH POWER TO UNIT AND NO WATER IN PIT
- 2) ALL WIRES ARE 16GA UNLESS OTHERWISE SPECIFIED IN THE TABLE BELOW.

LEGEND

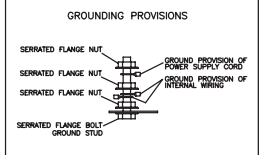
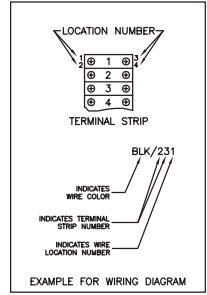
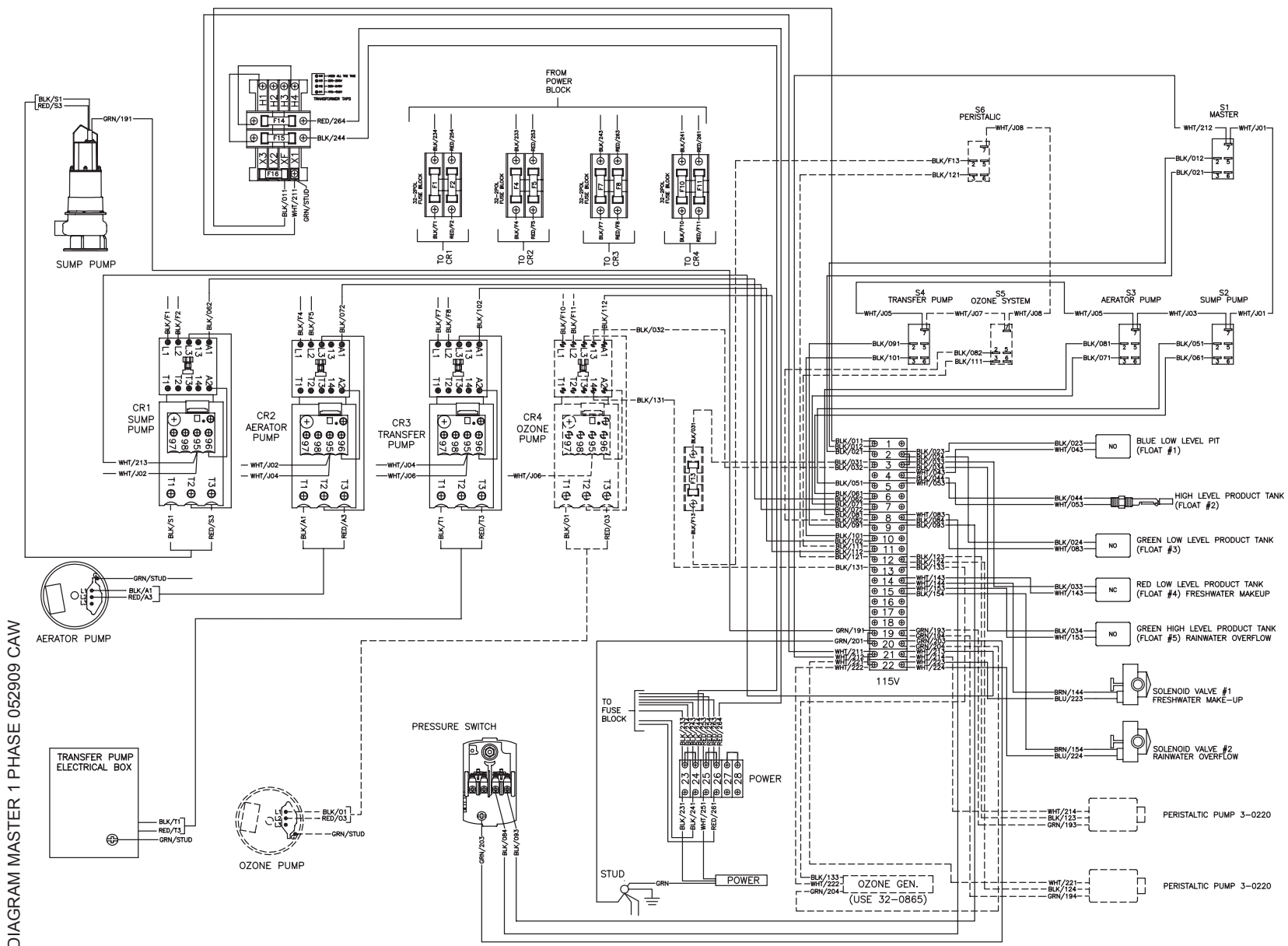
- CR1 = CONTROL RELAY, SUMP PUMP
- CR2 = CONTROL RELAY, AERATOR PUMP
- CR3 = CONTROL RELAY, TRANSFER PUMP
- CR4 = CONTROL RELAY, OZONE PUMP
- S1 = SWITCH, MASTER
- S2 = SWITCH, SUMP PUMP
- S3 = SWITCH, AERATOR PUMP
- S4 = SWITCH, TRANSFER PUMP
- S5 = SWITCH, OZONE SYSTEM
- S6 = SWITCH, PERISTALTIC METERING PUMP
- L1 = LIGHT, FOR S1
- L2 = LIGHT, FOR S2
- L3 = LIGHT, FOR S3
- L4 = LIGHT, FOR S4
- L5 = LIGHT, FOR S5
- L6 = LIGHT, FOR S6
- PS1 = PRESSURE SWITCH, 40-60 PSI (TRANSFER PUMP)
- FL1 = FLOAT, N.O. BLUE LOW LEVEL (SUMP PIT)
- FL2 = FLOAT, N.C. HIGH LEVEL (PRODUCT TANK)
- FL3 = FLOAT, N.O. GREEN LOW LEVEL (PRODUCT TANK)
- FL4 = FLOAT, N.C. RED LOW LEVEL FRESH WATER MAKEUP
- FL5 = FLOAT, N.O. GREEN HIGH LEVEL RAINWATER OVERFLOW
- SV1 = SOLENOID VALVE, FRESH WATER MAKEUP
- SV2 = SOLENOID VALVE, RAINWATER OVERFLOW

115V 1Ø LADDER DIAGRAM



LADDER DIAGRAM MASTER 1 PHASE 052909-CAW

ELECTRICAL DIAGRAM (SINGLE PHASE)

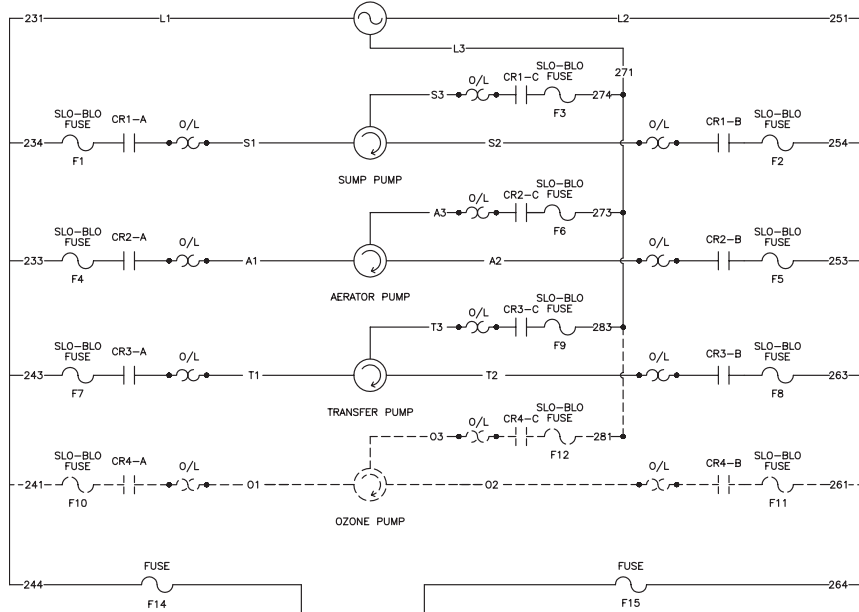


NOTES:
 1) ALL WIRES ARE 16GA UNLESS OTHERWISE SPECIFIED IN THE TABLE ON THE LADDER DIAGRAM.
 2) FUSE SIZES ARE SHOWN IN THE TABLE ON THE LADDER DIAGRAM OR ON A STICKER INSIDE THE BOX.

WIRING DIAGRAM MASTER 1 PHASE 052909 CAW

ELECTRICAL SCHEMATIC (THREE PHASE)

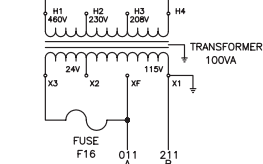
208-230/460V 3Ø LADDER DIAGRAM



NOTE:
LADDER DIAGRAM SHOWN WITH POWER TO UNIT AND
NO WATER IN PIT

LEGEND

- CR1 = CONTROL RELAY, SUMP PUMP
- CR2 = CONTROL RELAY, AERATOR PUMP
- CR3 = CONTROL RELAY, TRANSFER PUMP
- CR4 = CONTROL RELAY, OZONE PUMP
- S1 = SWITCH, MASTER
- S2 = SWITCH, SUMP PUMP
- S3 = SWITCH, AERATOR PUMP
- S4 = SWITCH, TRANSFER PUMP
- S5 = SWITCH, OZONE SYSTEM
- S6 = SWITCH, PERISTALTIC PUMP
- L1 = LIGHT, FOR S1
- L2 = LIGHT, FOR S2
- L3 = LIGHT, FOR S3
- L4 = LIGHT, FOR S4
- L5 = LIGHT, FOR S5
- L6 = LIGHT, FOR S6
- PS1 = PRESSURE SWITCH, 40-60 PSI (TRANSFER PUMP)
- FL1 = FLOAT, N.O. BLUE LOW LEVEL (SUMP PIT)
- FL2 = FLOAT, N.C. HIGH LEVEL (PRODUCT TANK)
- FL3 = FLOAT, N.O. GREEN LOW LEVEL (PRODUCT TANK)
- FL4 = FLOAT, N.C. RED LOW LEVEL FRESH WATER MAKEUP
- FL5 = FLOAT, N.O. GREEN HIGH LEVEL RAINWATER OVERFLOW
- SV1 = SOLENOID VALVE, FRESH WATER MAKEUP
- SV2 = SOLENOID VALVE, RAINWATER OVERFLOW



TRANSFORMER FUSE CHART			
VOLTAGE	PHASE	PRIMARY FUSES	SECONDARY FUSE
208	3	1.0 KCLR	1.0 FLA
230	3	1.0 KCLR	1.0 FLA
460	3	0.5 KCLR	1.0 FLA

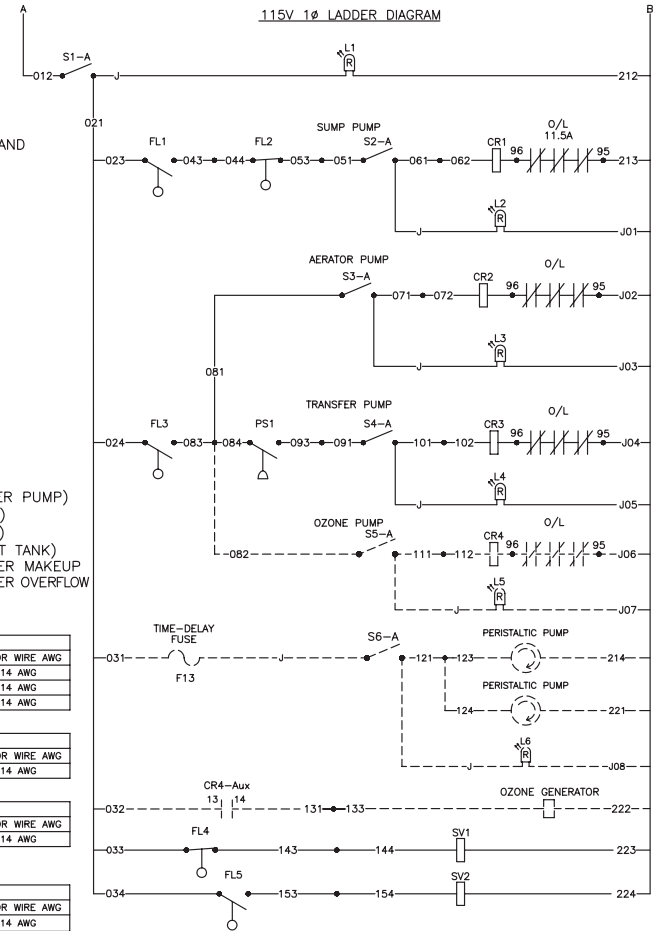
SUMP PUMP									
OL SETTING	OVERLOAD (AMPS)	VOLTAGE	PHASE	PUMP	AMPS	HP	FUSE	MOTOR WIRE AWG	
3.75	2.9-4	208	3	3-0325	3	0.5	32-1024	14 AWG	
3.75	2.9-4	230	3	3-0325	3	0.5	32-1024	14 AWG	
1.6	1.1-1.6	460	3	3-0326	1.28	1.5	32-0741	14 AWG	

AERATION PUMP									
OL SETTING	OVERLOAD (AMPS)	VOLTAGE	PHASE	PUMP	AMPS	HP	FUSE	MOTOR WIRE AWG	
5.88	4.5-6.3	208, 230/460	3	3-0319	4.7	1.5	32-1025	14 AWG	

TRANSFER PUMP									
OL SETTING	OVERLOAD (AMPS)	VOLTAGE	PHASE	PUMP	AMPS	HP	FUSE	MOTOR WIRE AWG	
6.25	4.5-6.3	208, 230/460	3	3-0324	5	2	32-1025	14 AWG	

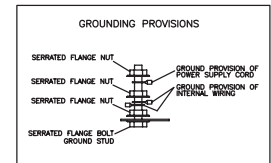
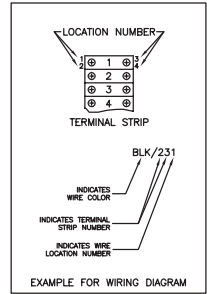
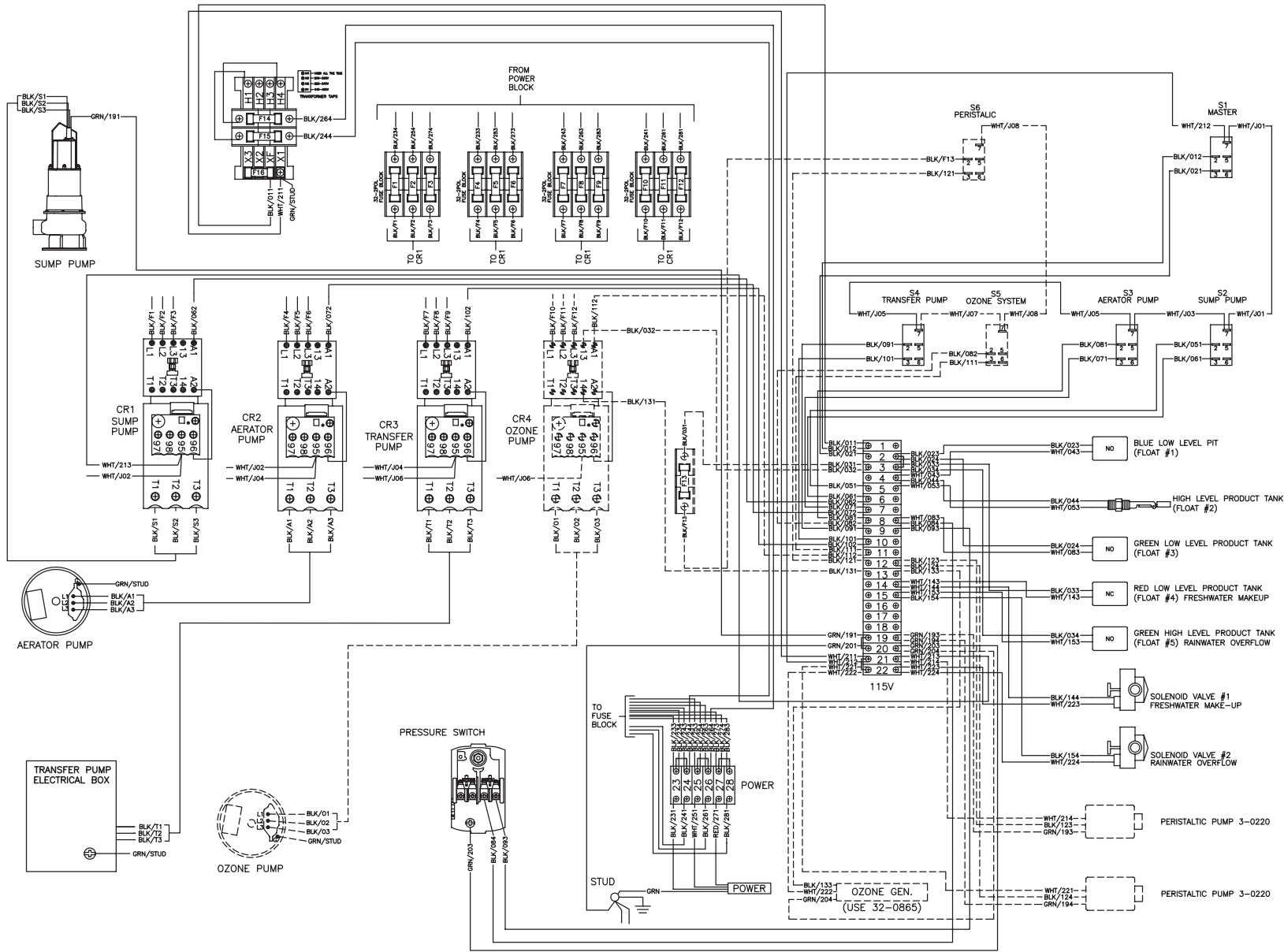
OZONE PUMP									
OL SETTING	OVERLOAD (AMPS)	VOLTAGE	PHASE	PUMP	AMPS	HP	FUSE	MOTOR WIRE AWG	
2.88	2.3-3.2	208, 230/460	3	3-0323	2.3	0.5	32-0470	14 AWG	

115V 1Ø LADDER DIAGRAM



LADDER DIAGRAM MASTER 3 PHASE 052109-CAW

ELECTRICAL DIAGRAM (THREE PHASE)



NOTES:

1) ALL WIRES ARE 16GA UNLESS OTHERWISE SPECIFIED IN THE TABLE ON THE LADDER DIAGRAM.

2) FUSE SIZES ARE SHOWN IN THE TABLE ON THE LADDER DIAGRAM OR ON A STICKER INSIDE THE BOX.

Manufactured by Mi-T-M
8650 Enterprise Drive, Peosta IA 52068
563-556-7484/ Fax 563-556-1235