



**Mi-T-M**<sup>®</sup>  
CORPORATION

PARTS LIST FOR  
AIR COMPRESSOR/GENERATOR  
***AG2-SKD9-30M***  
***AG2-SH13-30M, AG2-SH13-B***  
***AG2-SK14-30M, AG2-SK14-B***  
***AG2-SM14-30M, AG2-SM14-B***  
***AG2-SV14-30M, AG2-SV14-B***

ENGINE OIL GRADE:	
HONDA/KOHLER/ MITM	SAE 10W-30
KOHLER DIESEL	SAE 15W-40
VANGUARD	SAE 10W-30
ENGINE OIL CAPACITY:	
HONDA	37.2 oz.
KOHLER	44.0 oz.
Mi-T-M	32.0 oz.
KOHLER DIESEL	50.7 oz.
VANGUARD	32.0 oz.
MAXIMUM PRESSURE:	175 PSI
COMPRESSOR OIL GRADE:	SAE30W Non-Detergent
COMPRESSOR OIL CAPACITY:	24.7 oz.
WATTS W/COMPRESSOR:	3000
WATTS W/O COMPRESSOR:	3500

This Parts Listing has been compiled for your benefit. You can be assured your Mi-T-M Air Compressor/Generator was constructed and designed with quality and performance in mind. Each component has been rigorously tested to insure the highest level of acceptance.

The contents of this Parts Listing are based on the latest product information available at the time of publication. Mi-T-M reserves the right to make changes in price, color, materials, equipment, specifications or models at any time without notice.

### **WARNING**

THIS IS A PROFESSIONAL AIR COMPRESSOR/GENERATOR. CAUTION SHOULD BE OBSERVED WHEN USING OR REPAIRING THIS UNIT! READ AND FOLLOW THE SAFETY WARNINGS LISTED BELOW BEFORE ATTEMPTING ANY REPAIRS ON THIS AIR COMPRESSOR/GENERATOR!

### **SAFETY WARNINGS**

1. NEVER alter or modify the equipment. Be sure any accessory items and system components being used will withstand the pressure developed. Serious injury may occur from an air compressor malfunction or exploding accessories if incorrect system components, attachments or accessories are used. NEVER exceed manufactures maximum allowable pressure rating of attachments. Use only genuine Mi-T-M parts for repair of your air compressor/ generator. Failure to do so can cause hazardous operating conditions and will VOID warranty.
2. NEVER make adjustments on machinery while the unit is connected to the engine without first removing the ignition cable from the spark plug. Turning over the machinery by hand during adjustment or cleaning might start the engine and machinery with it, causing serious injury to the operator.
3. Know how to stop and bleed pressures quickly. Be thoroughly familiar with controls. Do not operate without protective covers/ guards.
4. Before servicing the unit, turn unit off, relieve the pressure and allow the unit to cool down. Service in a clean, dry, flat area. Block the wheels to prevent the unit from moving. Be especially careful to properly dispose of any flammable materials.
5. After testing the machine, DO NOT leave the pressurized unit unattended. Shut off the unit and release pressure before leaving.

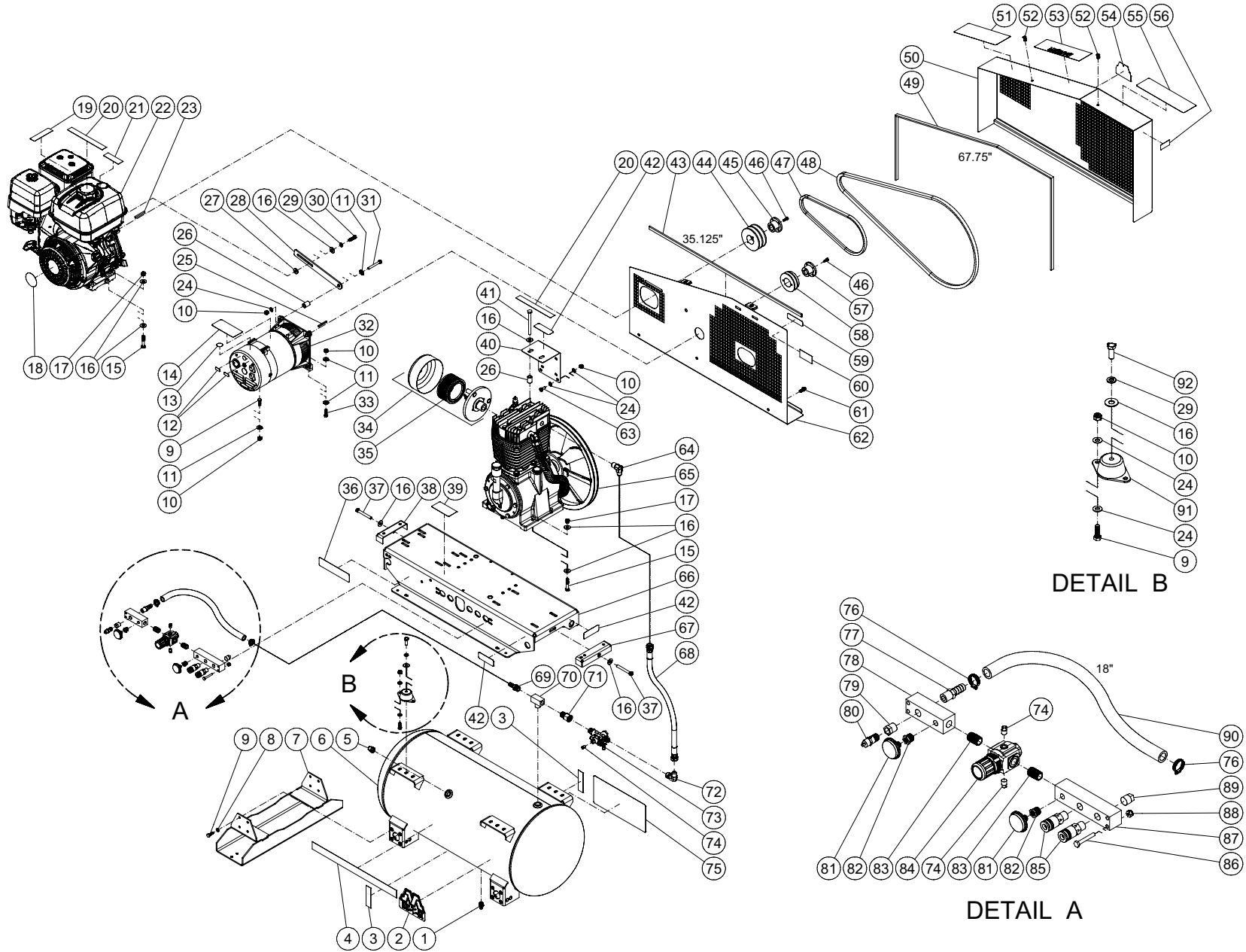
### **Table of Contents**

<b>SPECIFICATIONS</b> .....	<b>3</b>
<b>TANK ASSEMBLY FOR AG2-SH13-30M , AG2-SK14-30M, AG2-SM14-30M AND AG2-SV14-30M</b> .....	<b>4</b>
<b>TANK ASSEMBLY FOR AG2-SKD9-30M</b> .....	<b>6</b>
<b>TANK ASSEMBLY FOR AG2-SH13-B , AG2-SK14-B AND AG2-SM14-B AND AG2-SV14-B</b> .....	<b>8</b>
<b>TWO STAGE COMPRESSOR (3-0298)</b> .....	<b>10</b>
<b>ALTERNATOR (32-0872)</b> .....	<b>12</b>
<b>PILOT VALVE (22-0270)</b> .....	<b>14</b>

## SPECIFICATIONS

MODEL NUMBER	AG2-SH13-30M*/AG2-SH13-B**	AG2-SK14-30M*/AG1-SK14-B**	AG2-SM14-30M*/AG2-SM14-B**	AG2-SV14-30M*/AG2-SV14-B**	AG2-SKD9-30M*
Engine:	Honda	Kohler	Mi-T-M	Vanguard	Kohler
Model	GX390	CH440	420cc	25 V3	KD440
Oil Type	SAE10W-30				SAE15W-40
Oil Capacity	37 oz.	44 oz.	32.0 oz.		48 oz.
Low Oil Protection	Oil Alert™	Oil Sentry™	Oil Alert™	Oil Sensor	
Fuel Type	Unleaded Gasoline 86 Octane Minimum				Low Sulfer Diesel
Fuel Capacity	1.61 Gallon	1.85 Gallon	1.80 Gallon	1.6 Gallon	1.32 Gallon
Maximum No Load RPM	3600				
Generator:					
Watts w/ Compressor	3000				1800
Watts w/o Compressor	3500				3000
Compressor Pump:					
Number of Cylinders	2				
Compression Stages	2				
First Stage Bore	2.17"				
Second Stage Bore	3.94"				
Stroke	3.36"				
RPM	750				
Flywheel	16.5"				
Lubrication	Splash				
Oil Quantity	24.7 oz.				
Oil Type	30 W Non Detergent				
Crankcase	Cast Iron				
Bearings	Ball				
Cylinder	Cast Iron				
Valves	Reed				
Head	Aluminum				
Filter	Canister				
Pilot Valve Setting:					
Cut-out	175 PSI				
Cut-in	145 PSI				
Air Tank:					
Capacity	*30 Gallons / **No Tank				
Performance:					
CFM @ 40 PSI	17.0				
CFM @ 100 PSI	16.3				
CFM @ 175 PSI	15.7				
Maximum Pressure	175 PSI				
Pump-up Time: 0-175 PSI	1 minute and 44 seconds				
Recovery Time: 145-175 PSI	15 seconds				
Weight:					
Net	*435 lbs / **325 lbs				489
Shipping	*500 lbs / **389 lbs				554
Dimensions:					
Basic L x W x H	*40" x 24.5" x 45" / **46.5" x 18" x 26"				
Shipping L x W x H	*47" x 32" x 48.5" / **57.25" x 35.5" x 31"				

# TANK ASSEMBLY FOR AG2-SH13-30M , AG2-SK14-30M, AG2-SM14-30M AND AG2-SV14-30M

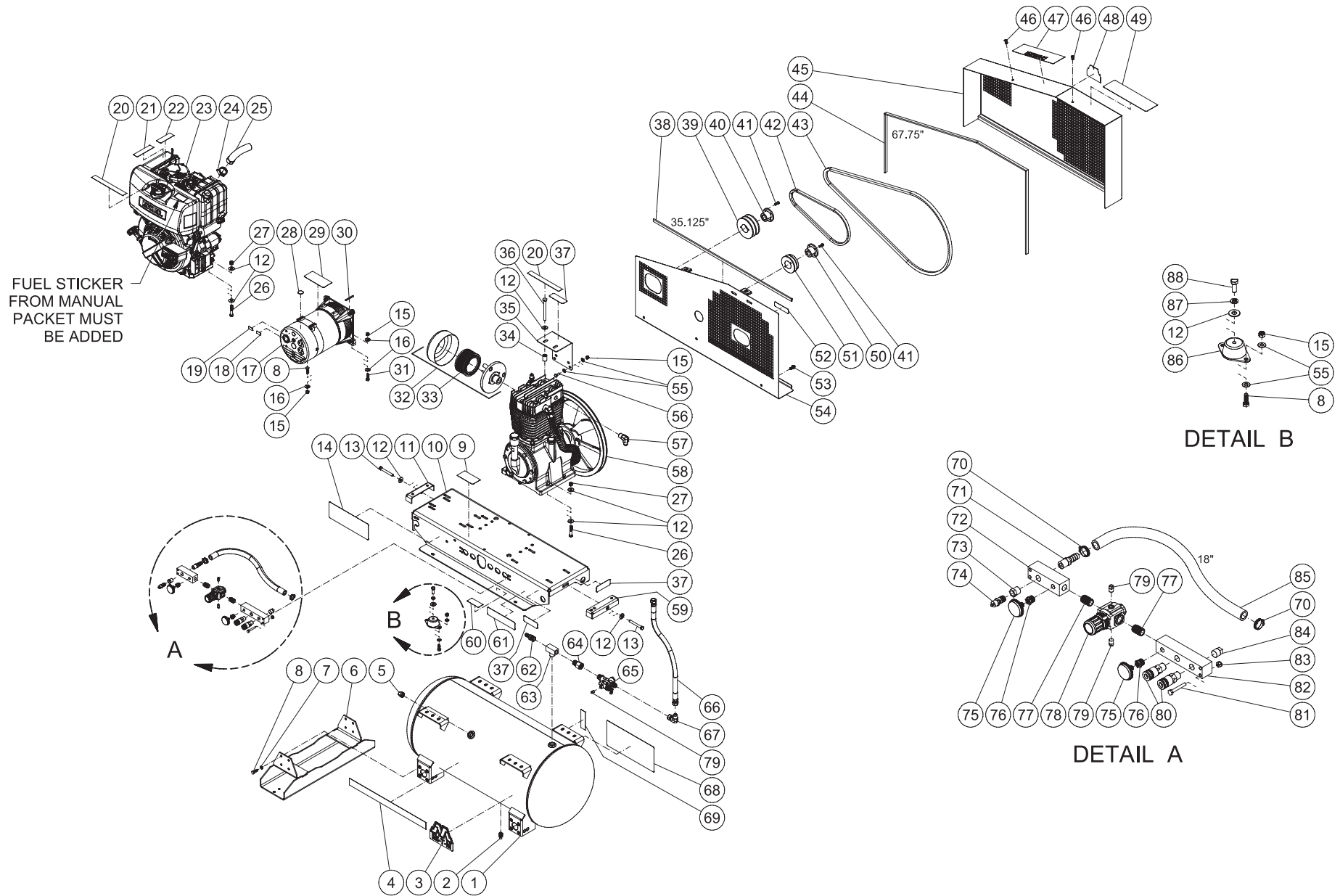


AG2-SH13\_SK14\_SM14\_SV14-30M 051320 ALT

FRAME ASSEMBLY							
ITEM	TITLE	PART #	QTY	ITEM	TITLE	PART #	QTY
1	PETCOCK	23-0312	1	44	SHEAVE	10-0042	1
2	DECAL - MI-T-M (SEE 71-2002)	N/A	1	45	BUSHING	9-0005	1
3	DECAL - TANK DRAIN (SEE 71-2002)	N/A	2	46	BOLT	27-0015	4
4	DECAL - MI-T-M STRIPE	N/A	1	47	BELT	11-0016	1
5	PLUG	39-0016	1	48	BELT	11-0075	1
6	TANK ASSEMBLY	12-0209A18	1	49	EDGING *(SIX FEET REQUIRED)	33-0020	1
7	FOOT	20-1149A18	2	50	BELTGUARD FRONT	6-0103A18	1
8	LOCKWASHER	29-0007	16	51	DECAL - MAINTENANCE (SEE 71-2002)	N/A	1
9	BOLT	27-0067	25	52	FASTENER	33-0197	2
10	LOCKNUT	30-0157	14	53	DECAL- WARNING (SEE 71-2002)	N/A	1
11	WASHER (SM14)	28-0022	6	54	DECAL - #2M	N/A	1
-	WASHER	28-0022	5	55	DECAL - OPERATIONS (SEE 71-2002)	N/A	1
12	DECAL - 115 VOLT (SEE 71-2002)	N/A	2	56	DECAL - MADE IN USA	34-3553	1
13	DECAL- GROUND PICTORIAL (SEE 71-2002)	N/A	1	57	BUSHING	9-0033	1
14	DECAL - RISK OF SHOCK (SEE 71-2002)	N/A	1	58	SHEAVE	10-0080	1
15	BOLT	27-0121	8	59	DECAL - BELTGUARD IN PLACE (SEE 71-2002)	N/A	1
16	WASHER (SM14)	28-0023	25	60	DECAL- MOBILE PRO	34-3658	1
-	WASHER	28-0023	24	61	BOLT	27-9524	3
17	LOCKNUT	30-0159	8	62	BELTGUARD BACK	6-0195A18	1
18	DECAL - REWIND 420CC (SM14)	N/A	1	63	BOLT	27-0066	2
19	DECAL - RISK OF BURNS (SEE 71-2002)	N/A	1	64	90° ELBOW FITTING	24-0074	1
20	DECAL - CHECK OIL	N/A	2	65	PUMP	3-0298	1
21	DECAL - RISK OF FIRE (SEE 71-2002)	N/A	1	66	BASEPLATE	5-0290A18	1
22	ENGINE - HONDA (SH13)	1-0086	1	67	TIGHTNER BRACKET	20-0812A18	1
-	ENGINE - MI-T-M (SM14)	1-0199	1	68	HOSE	15-0275	1
-	ENGINE - KOHLER (SK14)	1-0208	1	69	BARB	23-0045	1
-	ENGINE - VANGUARD (SV14)	1-0245	1	70	TEE	23-0235	1
23	KEY (SM14/SV14)	43-0078	1	71	CONNECTOR	23-0072	1
24	WASHER	28-0003	21	72	90° ELBOW FITTING	24-0272	1
25	KEY	43-0073	1	73	PILOT VALVE	22-0270	1
26	SPACER (SM14)	33-0425	3	74	PLUG	24-0082	3
-	SPACER	33-0425	2	75	DECAL - OPERATIONS (SEE 71-2002)	N/A	1
27	SPACER (SM14)	33-0643	1	76	HOSE CLAMP	42-0011	2
28	BRACKET (SM14)	13-0254A18	1	77	HOSE BARB	23-0105	1
29	LOCKWASHER (SM14)	29-0008	5	78	MANIFOLD BLOCK	51-0033	1
-	LOCKWASHER	29-0008	4	79	REDUCER	23-0017	1
30	BOLT (SM14)	27-0118	1	80	PRESSURE RELIEF VALVE	22-0267	1
31	BOLT (SM14)	27-0073	1	81	PRESSURE GAUGE	22-0271	2
32	GENERATOR - AR1-105/2	32-0872	1	82	REDUCER	23-0111	2
33	BOLT	27-0068	2	83	NIPPLE	24-0175	2
34	FILTER CANISTER	19-0237	1	84	REGULATOR	22-0231	1
35	AIR FILTER	19-0226	1	85	QC SOCKET	17-0068	2
36	DECAL- SPEC'S	N/A	1	86	BOLT	27-0019	4
37	BOLT	27-0576	2	87	MANIFOLD BLOCK	51-0039	1
38	TIGHTENER BRACKET	20-0650A18	1	88	LOCKNUT	30-0155	4
39	DECAL- SILVER STICKER	N/A	1	89	PLUG	24-0034	1
40	BRACKET	13-0189A18	1	90	HOSE *(TWO FEET REQUIRED)	15-0007	1
41	BOLT	27-8071	2	91	ISOLATOR	14-0109	4
42	DECAL - RISK OF BURNS (SEE 71-2002)	N/A	3	92	BOLT	27-0117	4
43	EDGING *(THREE FEET REQUIRED)	33-0020	1	-	DECAL SET/AG1/AG2	71-2002	1

\*MUST ORDER IN ONE FOOT LENGTHS

# TANK ASSEMBLY FOR AG2-SKD9-30M

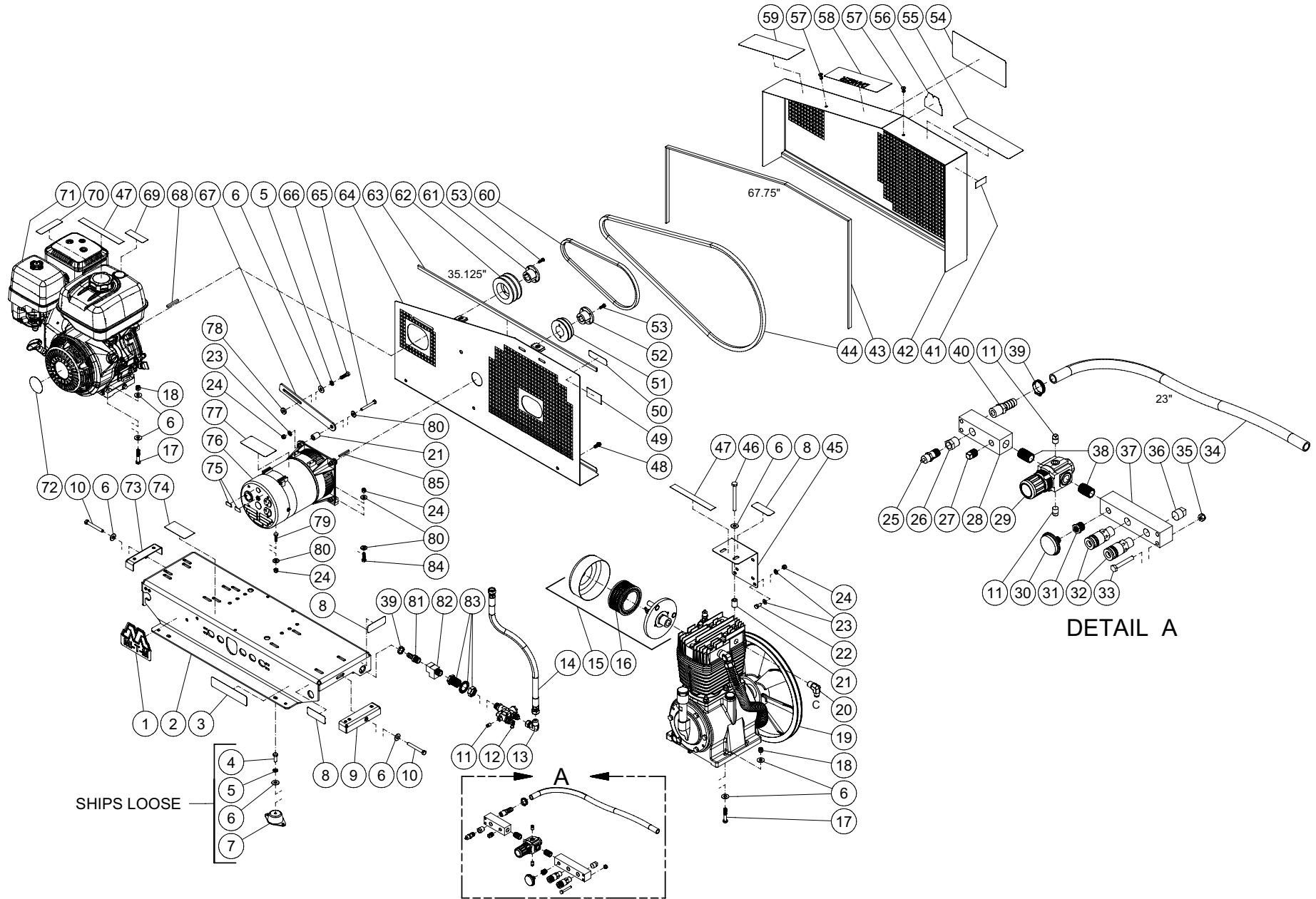


AG2-SKD9-30M 112718 JVA

## TANK ASSEMBLY

ITEM	DESCRIPTION	PART #	QTY	ITEM	DESCRIPTION	PART #	QTY
1	TANK ASSEMBLY	12-0209A18	1	46	FASTENER	33-0197	2
2	PETCOCK	23-0312	1	47	DECAL- WARNING (SEE 71-2002)	N/A	1
3	DECAL - MI-T-M	N/A	1	48	DECAL - #2M	N/A	1
4	DECAL - MI-T-M STRIPE	N/A	1	49	DECAL - OPERATIONS (SEE 34-2002)	N/A	1
5	PLUG	39-0016	1	50	BUSHING	9-0033	1
6	FOOT	20-1149A18	2	51	SHEAVE	10-0080	1
7	LOCKWASHER	29-0007	16	52	DECAL - WARNING (SEE 71-2002)	N/A	1
8	BOLT	27-0067	25	53	BOLT	27-9524	3
9	DECAL- SILVER STICKER	N/A	1	54	BELTGUARD BACK	6-0102A18	1
10	BASEPLATE	5-0290A18	1	55	WASHER	28-0003	20
11	TIGHTENER BRACKET	20-0650A18	1	56	BOLT	27-0066	2
12	WASHER	28-0023	24	57	90° ELBOW FITTING	24-0074	1
13	BOLT	27-0576	2	58	PUMP	3-0298	1
14	DECAL - MAINTENANCE (SEE 71-2002)	N/A	1	59	TIGHTNER BRACKET	20-0812A18	1
15	LOCKNUT	30-0157	13	60	CAUTION-HEARING PROTECTION REQ	34-3479	1
16	WASHER	28-0022	5	61	DECAL- SPEC'S	N/A	1
17	GENERATOR - AR1-105/2	32-0872	1	62	BARB	23-0045	1
18	DECAL - 115 VOLT (SEE 71-2002)	N/A	1	63	TEE	23-0235	1
19	DECAL - 230 VOLT (SEE 71-2002)	N/A	1	64	CONNECTOR	23-0072	1
20	DECAL - CHECK OIL	N/A	2	65	PILOT VALVE	22-0270	1
21	DECAL - RISK OF BURNS (SEE 71-2002)	N/A	1	66	HOSE	15-0275	1
22	DECAL - RISK OF FIRE (SEE 71-2002)	N/A	1	67	90° ELBOW FITTING	24-0272	1
23	ENGINE	1-0237	1	68	DECAL - OPERATIONS (SEE 71-2002)	N/A	1
24	HOSE CLAMP	42-0018	1	69	DECAL - TANK DRAIN (SEE 71-2002)	N/A	1
25	EXHAUST DIVERTER	N/A	1	70	HOSE CLAMP	42-0011	2
26	BOLT	27-0121	8	71	HOSE BARB	23-0105	1
27	LOCKNUT	30-0159	8	72	MANIFOLD BLOCK	51-0033	1
28	DECAL- GROUND PICTORIAL (SEE 71-2002)	N/A	1	73	REDUCER	23-0017	1
29	DECAL - RISK OF SHOCK (SEE 71-2002)	N/A	1	74	PRESSURE RELIEF VALVE	22-0267	1
30	KEY	43-0073	1	75	PRESSURE GAUGE	22-0271	2
31	BOLT	27-0068	2	76	REDUCER	23-0111	2
32	FILTER CANISTER	19-0237	1	77	NIPPLE	24-0175	2
33	AIR FILTER	19-0226	1	78	REGULATOR	22-0231	1
34	SPACER	33-0425	2	79	PLUG	24-0082	3
35	BRACKET	13-0189A18	1	80	QC SOCKET	17-0068	2
36	BOLT	27-8071	2	81	BOLT	27-0019	4
37	DECAL - RISK OF BURNS (SEE 71-2002)	N/A	3	82	MANIFOLD BLOCK	51-0039	1
38	EDGING *(THREE FEET REQUIRED)	33-0020	1	83	LOCKNUT	30-0155	4
39	SHEAVE	10-0042	1	84	PLUG	24-0034	1
40	BUSHING	9-0005	1	85	HOSE *(TWO FEET REQUIRED)	15-0007	1
41	BOLT	27-0015	4	86	ISOLATOR	14-0109	4
42	BELT	11-0016	1	87	LOCKWASHER	29-0008	4
43	BELT	11-0075	1	88	BOLT	27-0117	4
44	EDGING *(SIX FEET REQUIRED)	33-0020	1	-	DECAL SET - AG1/AG2	71-2002	1
45	BELTGUARD FRONT	6-0103A18	1	*MUST ORDER IN ONE FOOT LENGTHS			

# TANK ASSEMBLY FOR AG2-SH13-B , AG2-SK14-B AND AG2-SM14-B AND AG2-SV14-B



AG2-SH13\_SK14\_SM14\_SV14-B 051320 ATL

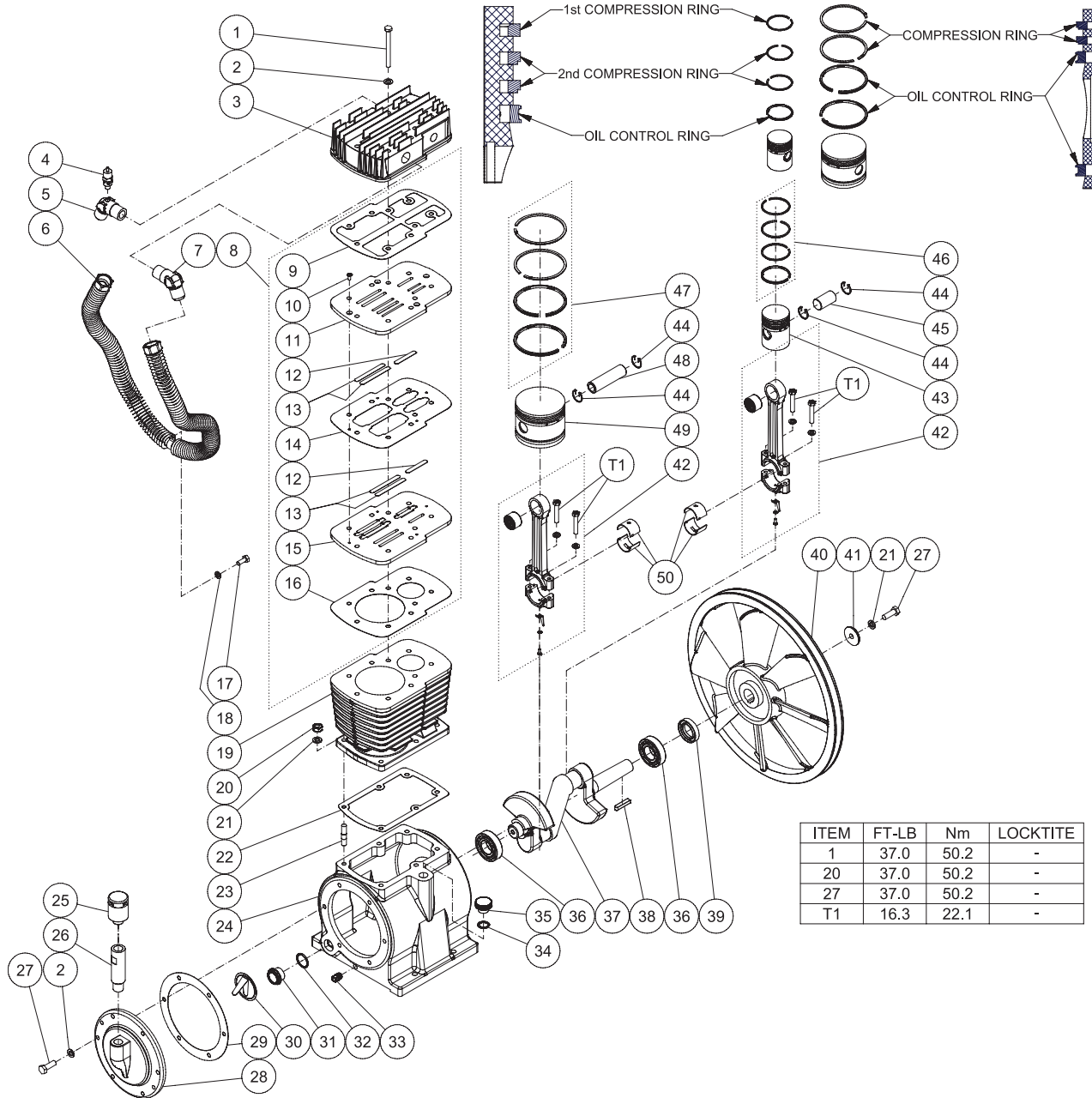


## TANK ASSEMBLY

ITEM	TITLE	PART #	QTY	ITEM	TITLE	PART #	QTY
1	DECAL - MI-T-M (SEE 71-2002)	34-2169	1	44	BELT	11-0075	1
2	BASEPLATE	5-0290A18	1	45	BRACKET	13-0189A18	1
3	DECAL- SPEC'S	N/A	1	46	BOLT	27-8071	2
4	BOLT	27-0117	4	47	DECAL - CHECK OIL	N/A	2
5	LOCKWASHER (SM14)	29-0008	5	48	BOLT	27-9524	3
-	LOCKWASHER	29-0008	4	49	DECAL- MOBILE PRO	34-3657	1
6	WASHER (SM14)	28-0023	25	50	DECAL - BELTGUARD IN PLACE (SEE 71-2002)	N/A	1
-	WASHER	28-0023	24	51	SHEAVE	10-0080	1
7	ISOLATOR	14-0109	4	52	BUSHING	9-0033	1
8	DECAL - RISK OF BURNS (SEE 71-2002)	N/A	3	53	BOLT	27-0015	4
9	TIGHTNER BRACKET	20-0812A18	1	54	DECAL - CAUTION/WARNING/DANGER (SEE 71-2002)	N/A	1
10	BOLT	27-0576	2	55	DECAL - OPERATIONS (SEE 71-2002)	N/A	1
11	PLUG	24-0082	3	56	DECAL - #2M	34-2168	1
12	PILOT VALVE	22-0270	1	57	FASTENER	33-0197	2
13	90° ELBOW FITTING	24-0272	1	58	DECAL- WARNING (SEE 71-2002)	N/A	1
14	HOSE	15-0275	1	59	DECAL - MAINTENANCE (SEE 71-2002)	N/A	1
15	FILTER CANISTER	19-0237	1	60	BELT	11-0016	1
16	AIR FILTER	19-0226	1	61	BUSHING	9-0005	1
17	BOLT	27-0121	8	62	SHEAVE	10-0042	1
18	LOCKNUT	30-0159	8	63	EDGING *(THREE FEET REQUIRED)	33-0020	1
19	PUMP	3-0298	1	64	BELTGUARD BACK	6-0195A18	1
20	90° ELBOW FITTING	24-0074	1	65	BOLT (SM14)	27-0073	1
21	SPACER (SM14)	33-0425	3	66	BOLT (SM14)	27-0118	1
-	SPACER	33-0425	2	67	BRACKET (SM14)	13-0254A18	1
22	BOLT	27-0066	2	68	KEY (SM14/SV14)	43-0078	1
23	WASHER (SM14)	28-0003	5	69	DECAL - RISK OF FIRE (SEE 71-2002)	N/A	1
-	WASHER	28-0003	4	70	DECAL - RISK OF BURNS (SEE 71-2002)	N/A	1
24	LOCKNUT (SM14)	30-0157	6	71	ENGINE - HONDA	1-0086	1
-	LOCKNUT	30-0157	5	-	ENGINE - MI-T-M 420cc RECOIL	1-0199	1
25	PRESSURE RELIEF VALVE	22-0474	1	-	ENGINE - KOHLER 429cc RECOIL	1-0208	1
26	REDUCER	23-0017	1	-	ENGINE VANGUARD 14HP RECOIL	1-0245	1
27	PLUG	24-0009	1	72	DECAL - REWIND 420CC (SM14)	34-2865	1
28	MANIFOLD BLOCK	51-0033	1	73	TIGHTENER BRACKET	20-0650A18	1
29	REGULATOR	22-0231	1	74	DECAL- SILVER STICKER	N/A	1
30	PRESSURE GAUGE	22-0271	1	75	DECAL - 115 VOLT (SEE 71-2002)	N/A	2
31	REDUCER	23-0111	1	76	GENERATOR - AR1-105/2	32-0872	1
32	QC SOCKET	17-0068	2	77	DECAL - RISK OF SHOCK (SEE 71-2002)	N/A	1
33	BOLT	27-0019	4	78	SPACER (SM14)	33-0643	1
34	HOSE *(TWO FEET REQUIRED)	15-0007	1	79	BOLT	27-0067	1
35	LOCKNUT	30-0155	4	80	WASHER (SM14)	28-0022	6
36	PLUG	24-0034	1	-	WASHER	28-0022	5
37	MANIFOLD BLOCK	51-0039	1	81	BARB	23-0045	1
38	NIPPLE	24-0175	2	82	TEE	23-0124	1
39	HOSE CLAMP	42-0011	2	83	ADAPTER	23-0365	1
40	HOSE BARB	23-0105	1	84	BOLT	27-0068	2
41	DECAL - MADE IN USA	34-3553	1	85	KEY	43-0073	1
42	BELTGUARD FRONT	6-0103A18	1	-	DECAL SET-AG1/AG2 MITM	71-2002	1
43	EDGING *(SIX FEET REQUIRED)	33-0020	1				

\*MUST ORDER IN ONE FOOT LENGTHS

## TWO STAGE COMPRESSOR (3-0298)

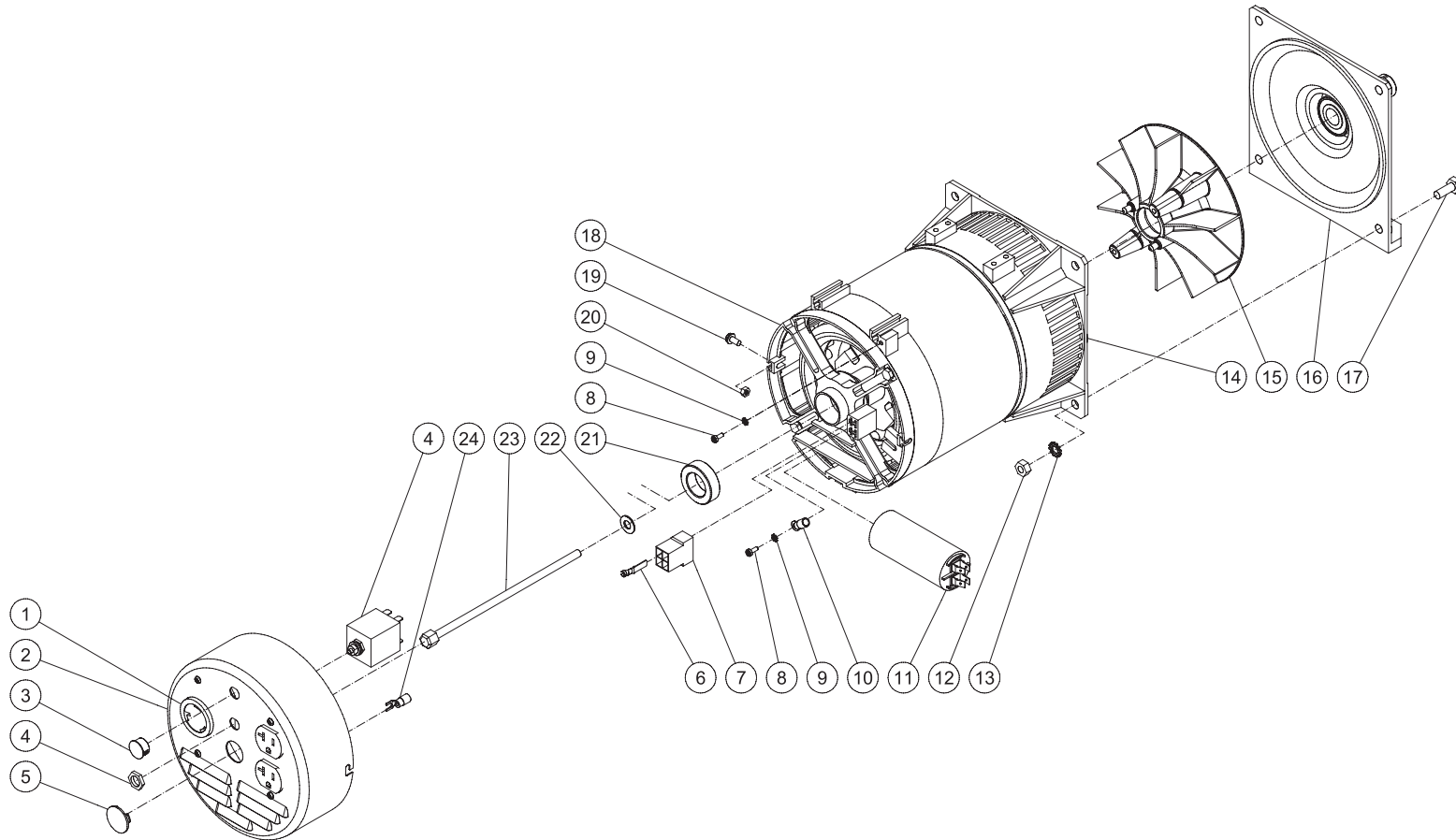


3-0298 102616 JJR

## PUMP ASSEMBLY

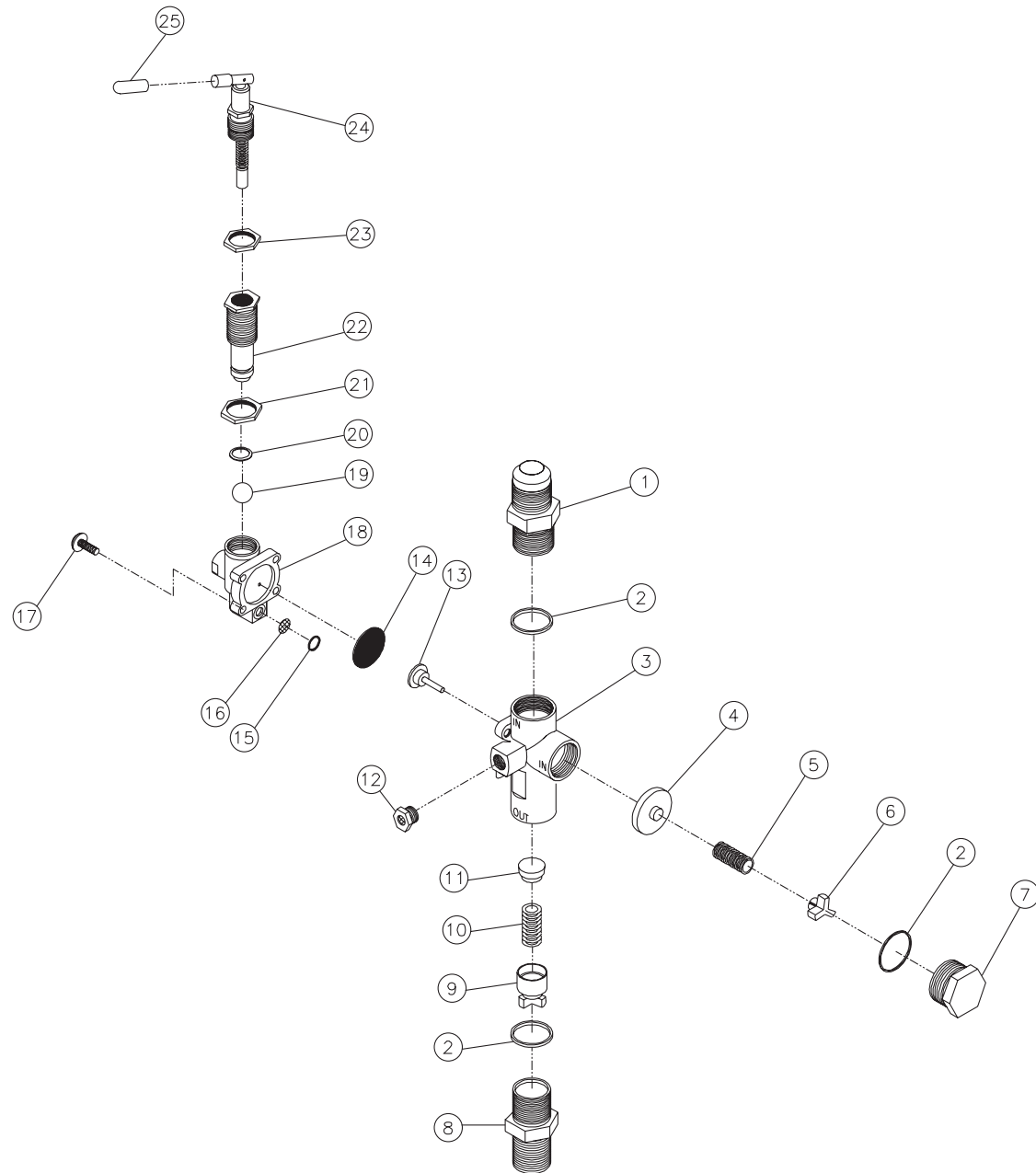
ITEM	DESCRIPTION	PART #	QTY	ITEM	DESCRIPTION	PART #	QTY
1	BOLT	27-8043	9	27	BOLT	27-8061	7
2	COPPER WASHER	28-1059	15	28	REAR CRANKCASE COVER	46-1278	1
3	CYLINDER HEAD	46-1272	1	29	GASKET - REAR CRANKCASE COVER	N/A	1
4	LP SAFETY VALVE	22-0362	1	30	OBSTRUCT OIL NET	46-1279	1
5	65° OUTLET ELBOW W/PORT	24-0304	1	31	OIL LEVEL SIGHT GLASS	46-1280	1
6	INTERCOOLER TUBE	46-1273	1	32	O-RING	25-0150	1
7	65° OUTLET ELBOW	24-0305	1	33	PLUG	24-0009	1
8	KIT - VALVE PLATE ASSY - (INC. 9-16)	70-0473	1	34	O-RING	25-0160	1
9	GASKET - VALVE PLATE (UPPER)	N/A	1	35	OIL FILL CAP	46-1281	1
10	SCREW	N/A	4	36	BALL BEARING	48-0024	2
11	UPPER VALVE SEAT	N/A	1	37	PUMP CRANKSHAFT	46-1282	1
12	HP VALVE REED	N/A	2	38	KEY	43-0125	1
13	LP VALVE REED	N/A	4	39	OIL SEAL	26-0302	1
14	GASKET - VALVE PLATE (MIDDLE)	N/A	1	40	FLYWHEEL	10-0139	1
15	LOWER VALVE SEAT	N/A	1	41	WASHER	N/A	1
16	GASKET - VALVE PLATE (LOWER)	N/A	1	42	KIT - HP CONNECTING ROD ASSEMBLY (INC. 49)	70-0468	2
17	BOLT	27-8032	1	43	PISTON	46-1283	1
18	LOCKWASHER	29-0054	1	44	PISTON SNAP RING	46-1284	4
19	CYLINDER	46-1274	1	45	PISTON PIN	46-1285	1
20	NUT	30-7203	6	46	KIT - HP PISTON RING	70-0469	1
21	LOCKWASHER	29-0055	7	47	KIT - LP PISTON RING	70-0470	1
22	GASKET - CYLINDER	N/A	1	48	PISTON PIN	46-1286	1
23	STUD	27-8991	6	49	PISTON	46-1287	1
24	PUMP CRANKCASE	46-1275	1	50	CONNECTING ROD BUSHING	46-1288	4
25	BREATHER ASSY	46-1276	1	-	KIT - PUMP GASKET - (INC. 9, 14, 16, 22, 29)	70-0472	1
26	BREATHER PIPE	46-1277	1				

# ALTERNATOR (32-0872)



32-0872 112614 RJA			
ALTERNATOR (32-0872)			
ITEM	DESCRIPTION	PART #	QTY
1	120V-30A RECEPTACLE	32-1081	1
2	END COVER - CAP ONLY	52-0098	1
3	PLUG	39-0234	1
4	CIRCUIT BREAKER	32-1083	1
5	ALTERNATOR CAP	52-0075	1
6	TERMINAL SPADE	32-0878	4
7	TERMINAL PLUG	52-0077	1
8	SCREW	27-8187	2
9	LOCKWASHER	29-1013	2
10	TERMINAL RING	32-0002	2
11	CAPACITOR	32-0873	1
12	NUT	30-0058	4
13	LOCKWASHER	29-0110	4
14	BRACKET	52-0094	1
15	FAN	52-0093	1
16	FLANGE	52-0097	1
17	BOLT	27-8032	4
18	BRACKET	52-0095	1
19	SCREW	27-9593	2
20	NUT	30-6001	2
21	BEARING	52-0096	1
22	WASHER	28-0003	1
23	BOLT	27-9584	1
24	TERMINAL FORK	32-0034	3

# PILOT VALVE (22-0270)



22-0270-062905-DLG

PILOT VALVE (22-0270)			
REF #	DESCRIPTION	PART #	QTY
1	Inlet Port Fitting	N/A	1
2	O-ring (See 70-0241)	N/A Sep.	3
3	Main Body	N/A	1
4	Piston Assembly-Unloader Valve (See 70-0241)	N/A Sep.	1
5	Spring-Unloader Valve (See 70-0241)	N/A Sep.	1
6	Spring Seat-Unloader Valve	N/A	1
7	Cap	N/A	1
8	Discharge Port Fitting	N/A	1
9	Spring Seat Assembly-Check Valve	N/A	1
10	Spring-Check Valve (See 70-0241)	N/A Sep.	1
11	Piston-Check Valve (See 70-0241)	N/A Sep.	1
12	Muffler	23-0419	1
13	Stem Unloader (See 70-0241)	N/A Sep.	1
14	Diaphragm (See 70-0241)	N/A Sep.	1
15	O-ring (See 70-0241)	N/A Sep.	1
16	Screen (See 70-0241)	N/A Sep.	1
17	Screw w/Washer	N/A	4
18	Pilot Body	N/A	1
19	Ball (See 70-0241)	N/A Sep.	1
20	O-ring (See 70-0241)	N/A Sep.	1
21	Differential Adjusting Locknut	N/A	1
22	Differential Adjusting Nut	N/A	1
23	Pressure Adjusting Locknut	N/A	1
24	Pressure Adjusting Toggle Assembly (See 70-0241)	N/A Sep.	1
25	Red Toggle Cover	N/A	1
	Repair Kit (Includes 4-5, 10-11, 13-16, 19-20, 24 and 3 each 2)	70-0241	

Manufactured by Mi-T-M  
50 Mi-T-M Drive, Peosta IA 52068  
563-556-7484/ Fax 563-556-1235