



PARTS LIST FOR  
AIR COMPRESSORS  
*10 Hp Industrial Duplex*

This Parts Listing has been compiled for your benefit. You can be assured your Mi-T-M Gasoline Air Compressor was constructed and designed with quality and performance in mind. Each component has been rigorously tested to insure the highest level of acceptance.

The contents of this Parts Listing are based on the latest product information available at the time of publication. Mi-T-M reserves the right to make changes in price, color, materials, equipment, specifications or models at any time without notice.

### WARNING

THIS IS A PROFESSIONAL ELECTRIC AIR COMPRESSOR. CAUTION SHOULD BE OBSERVED WHEN USING OR REPAIRING THIS UNIT! READ AND FOLLOW THE SAFETY WARNINGS LISTED BELOW BEFORE ATTEMPTING ANY REPAIRS ON THIS AIR COMPRESSOR!

### SAFETY WARNINGS

1. NEVER alter or modify the equipment. Be sure any accessory items and system components being used will withstand the pressure developed. Use only genuine Mi-T-M parts for repair of your air compressor. Failure to do so can cause hazardous operating conditions and will VOID warranty.
2. Know how to stop and bleed pressures quickly. Be thoroughly familiar with controls.
3. Before servicing the unit, turn unit off, relieve the pressure and allow the unit to cool down. Do not make repairs while the unit is running. Service in a clean, dry, flat area. Block the wheels to prevent the unit from moving. Be especially careful to properly dispose of any flammable materials.
4. After testing the machine, DO NOT leave the pressurized unit unattended. Shut off the unit and release trapped pressure before leaving.

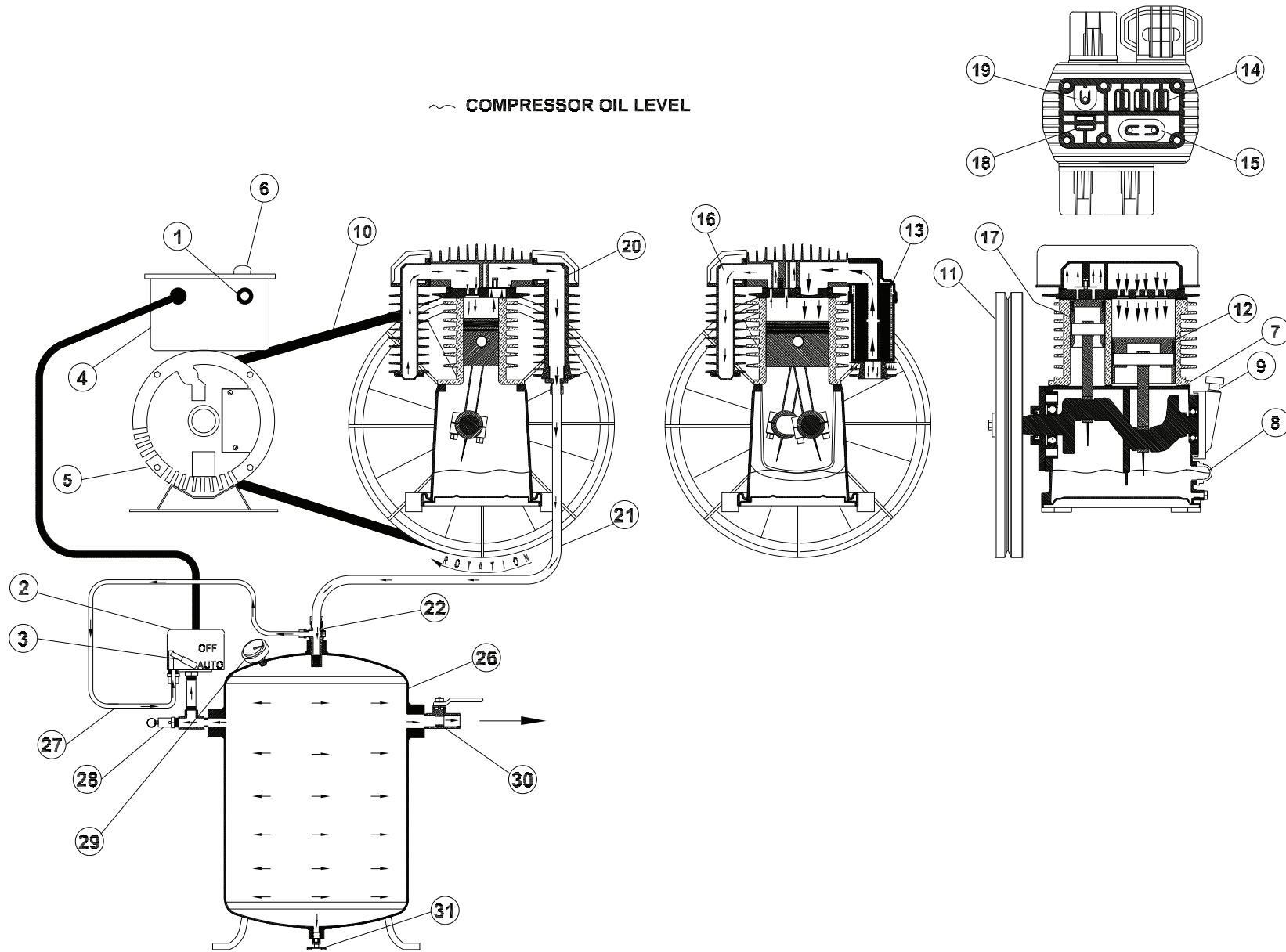
### Table of Contents

<b>SPECIFICATIONS</b> .....	<b>3</b>
<b>FLOW CHART</b> .....	<b>4</b>
<b>GENERAL THEORY OF OPERATION</b> .....	<b>5</b>
<b>ADD 120 GALLON DUPLEX SERIES</b> .....	<b>6</b>
<b>ADD 120 GALLON DUPLEX M SERIES</b> .....	<b>8</b>
<b>COMPRESSOR PUMP (3-0313)</b> .....	<b>10</b>
<b>LOW OIL SHUTDOWN (IX-0007)</b> .....	<b>12</b>
<b>PNEUMATIC DRAIN OPTION (IX-0032)</b> .....	<b>13</b>
<b>AFTERCOOLER (IX-0034)</b> .....	<b>14</b>
<b>WIRE SCHEMATIC 230V 1 PHASE</b> .....	<b>16</b>
<b>WIRE DIAGRAM 230V 1 PHASE</b> .....	<b>17</b>
<b>WIRE SCHEMATIC 200/230V 3 PHASE</b> .....	<b>18</b>
<b>WIRE DIAGRAM 200/230V 3 PHASE</b> .....	<b>19</b>
<b>WIRE SCHEMATIC 460V 3 PHASE</b> .....	<b>20</b>
<b>WIRE DIAGRAM 460V 3 PHASE</b> .....	<b>21</b>

## SPECIFICATIONS

MODEL NUMBER	ADD-23110/20310/ 23310/46310-120H	ADD-23110/20310/ 23310/46310-120HM
<b>MOTOR:</b>		
Horsepower	10HP	
Voltage	230V/200V/230/460V	
Amperage	78.0A/61.6A/53.6A/26.8A	
HZ	60	
Phase	1/3/3/3	
RPM	1725/1765/1765/1765	
<b>Compressor Pump:</b>		
Number of Cylinders	2	
Compression Stages	2	
First Stage Bore	3.15	
Second Stage Bore	3.93	
Stroke	2.76	
RPM	1050	
Flywheel	16.5"	
Lubrication	Splash	
Oil Capacity	80 oz.	
Oil Type	30 W Non Detergent	
Crankcase	Cast Iron	
Bearings	Ball	
Cylinder	Cast Iron	
Valves	Reed	
Head	Cast Iron	
Filter	Canister	
<b>AIR TANK:</b>		
Capacity	120 gallons	
<b>PERFORMANCE:</b>		
CFM Air Displacement	77.4	
CFM @ 40 PSI	74.2	
CFM @ 100 PSI	71.4	
CFM @ 175 PSI	72	
Maximum Pressure	175 PSI	
Pump-up Time: 0-175 PSI	-- minutes and -- seconds	
Recovery Time: 145-175 PSI	-- minutes and -- seconds	
<b>WEIGHT:</b>		
Net	1140 lbs	1240 lbs
Shipping	1200 lbs	1300 lbs
<b>DIMENSIONS:</b>		
Basic L x W x H	76" x 26.5" x 58"	
Shipping L x W x H	80.5" x 37.5" x 63"	

# FLOW CHART

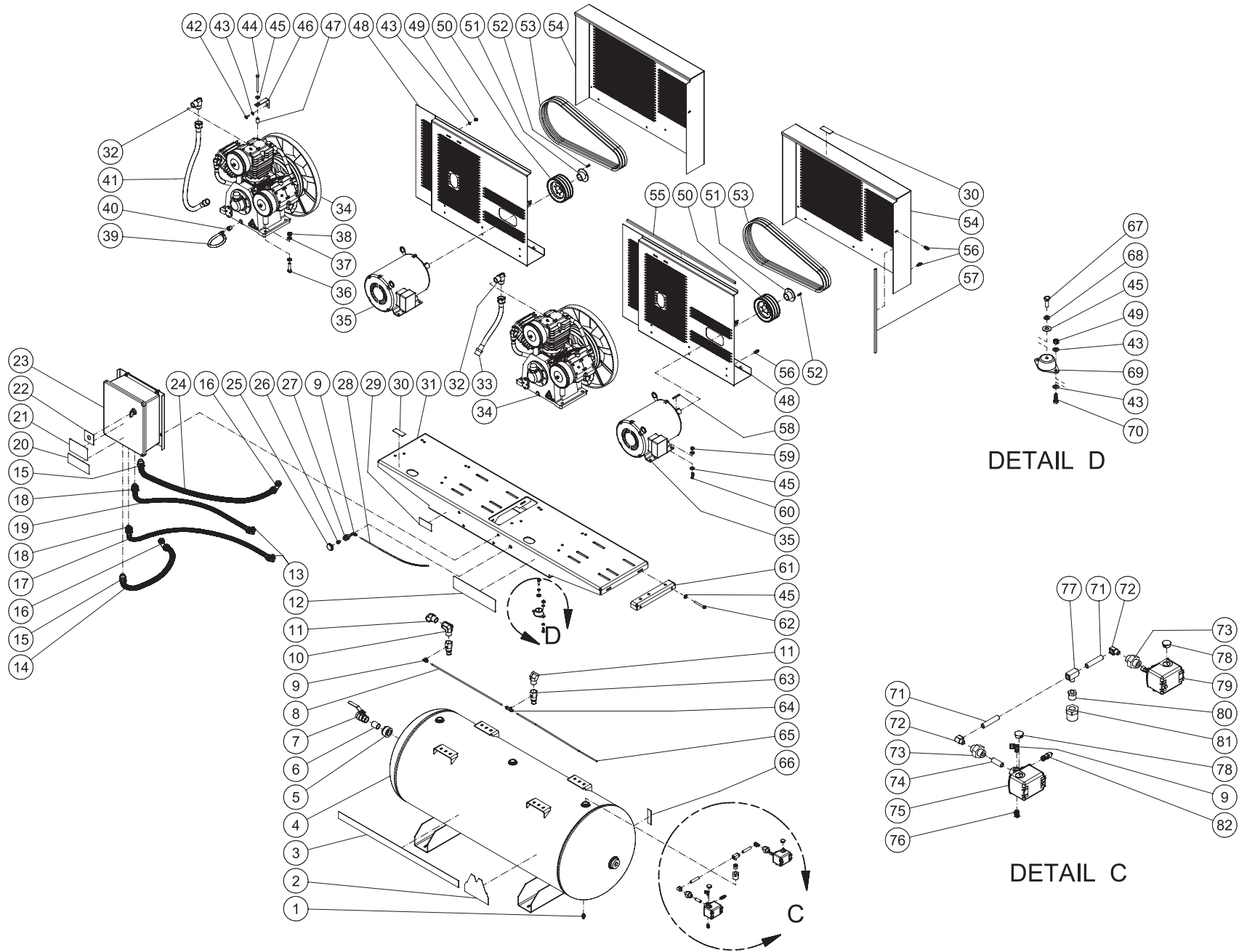


OMAC0061A-021809-RD

## GENERAL THEORY OF OPERATION

1. The POWER SUPPLY (1) sends the electrical supply to the PRESSURE SWITCH (2). When the PRESSURE SWITCH LEVER (3) is in the "AUTO" position, power is supplied to the CONTACTOR (4) which starts the ELECTRIC MOTOR (5) which is protected from electrical overloads by the MANUAL RESET BUTTON (6).
2. The COMPRESSOR PUMP (7) is lubricated by oil. The oil level should be checked before each use by viewing the COMPRESSOR PUMP OIL SIGHTGLASS (8). If the oil level is low, add SAE-30W non-detergent oil to the COMPRESSOR PUMP OIL FILL PORT (9).
3. When the unit is operating, the V-BELT (10) turns the COMPRESSOR PUMP FLYWHEEL (11) which rotates the crankshaft and moves the pistons.
4. As the FIRST STAGE PISTON (12) moves down, air is drawn in through the INLET AIR FILTER (13). Then through the FIRST STAGE INLET REED VALVE (14) and into the first stage piston chamber. At the same time, the FIRST STAGE OUTLET REED VALVE (15) is closed. This allows air to fill the first stage piston chamber.
5. As the FIRST STAGE PISTON (12) moves upward, the FIRST STAGE INLET REED VALVE (14) closes. The FIRST STAGE OUTLET REED VALVE (15) opens allowing the compressed air to flow into the INTERCOOLER (16) and into the second stage.
6. As the SECOND STAGE PISTON (17) moves down, the first stage compressed air is drawn in through the SECOND STAGE INLET REED VALVES (18) and into the second stage piston chamber. At the same time, the SECOND STAGE OUTLET REED VALVES (19) is closed.
7. As the SECOND STAGE PISTON (17) moves upward, the SECOND STAGE INLET REED VALVES (18) closes. The SECOND STAGE OUTLET REED VALVES (19) opens allowing the compressed air to flow into the AFTERCOOLER (20) and DISCHARGE LINE (21).
8. STANDARD START/STOP FEATURE:
  1. The compressed air opens the CHECK VALVE (22) and moves into the AIR TANK (26). When the pressure in the AIR TANK (26) reaches the maximum pressure setting of the PRESSURE SWITCH (2), the ELECTRIC MOTOR (5) stops and the CHECK VALVE (22) will close.
  2. The pressurized air remaining in the PUMP DISCHARGE LINE (21) exits through the PRESSURE SWITCH BLEND-OFF LINE (27) so the ELECTRIC MOTOR (5) can restart under a no-load condition.
9. The SAFETY RELIEF VALVE (28) protects the system from any overpressure conditions.
10. The TANK PRESSURE GAUGE (29) indicates tank pressure. The air exits through the OUTLET FITTING (30).
11. The PRESSURE SWITCH LEVER (3) stops the ELECTRIC MOTOR (5) when moved to the "OFF" position.
12. When the PRESSURE SWITCH LEVER (3) is in the "OFF" position, compressed air should be released from the AIR TANK (26) by opening the attached air tool or by pulling on the SAFETY RELIEF VALVE (28). When the TANK PRESSURE GAUGE (29) registers less than 10 PSI, drain the condensation from the AIR TANK (26) by opening the TANK DRAIN (31).

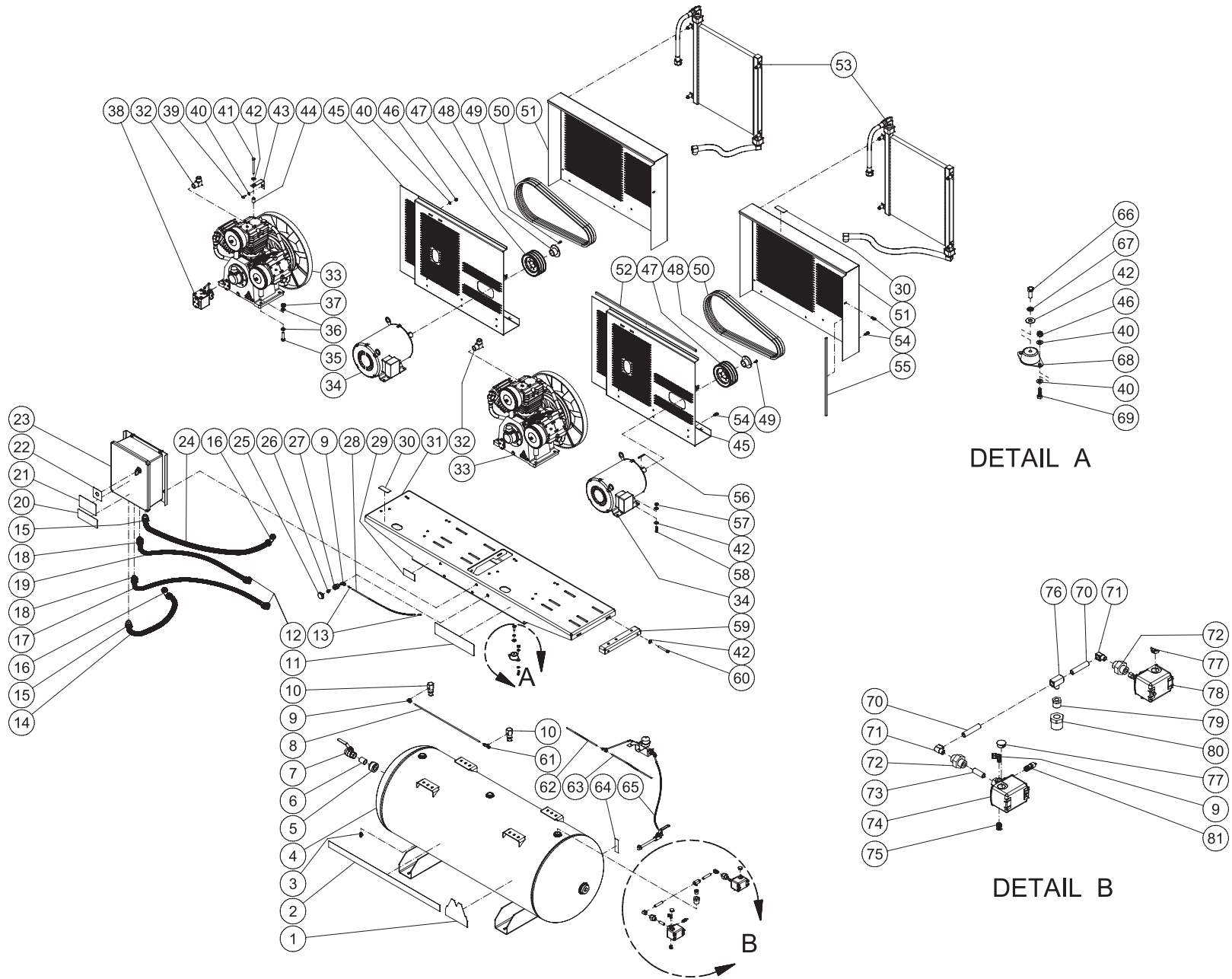
# ADD 120 GALLON DUPLEX SERIES



ADD-120 GALLON DUPLEX 122308 PJH

ADD 120 DUPLEX							
ITEM	DESCRIPTION	Mi-T-M #	QTY	ITEM	DESCRIPTION	Mi-T-M #	QTY
1	PETCOCK	23-0312	2	41	WASHER	28-0003	24
2	DECAL - Mi-T-M	34-2170	1	42	BOLT	27-8071	4
3	DECAL Mi-T-M STRIPE	34-2282	1	43	WASHER	28-0023	28
4	TANK ASSEMBLY	12-0201A01	1	44	BELTGUARD STABILIZER	20-1032A01	4
5	REDUCER	24-0233	1	45	SPACER	33-0425	4
6	NIPPLE	24-0200	1	46	BELTGUARD BACK	N/A	2
7	BALL VALVE	22-0344	1	47	LOCKNUT	30-0157	12
8	COPPER TUBING *(TWO FEET REQUIRED)	54-0034	1	48	SHEAVE	10-0149	2
9	ELBOW	23-0316	3	49	BUSHING	9-0090	2
10	ELBOW	24-0319	1	50	BOLT	27-0015	6
11	ELBOW	24-0325	2	51	BELT	11-0083	6
12	CONDUIT ELBOW	32-0254	2	52	BELTGUARD FRONT	N/A	2
13	CONDUIT *(TWO FEET REQUIRED)	32-0486	1	53	EDGING *(THREE FEET REQUIRED)	33-0020	2
14	CONDUIT STRAIGHT	32-0488	2	54	BOLT	27-9524	14
15	CONDUIT ELBOW	32-0487	2	55	EDGING *(TWO FEET REQUIRED)	33-0020	4
16	CONDUIT *(FOUR FEET REQUIRED)	32-0253	1	56	DECAL - CAUTION/WARNING/DANGER (SEE 34-9016)	N/A	1
17	CONDUIT FITTING	32-0255	2	57	KEY	43-0078	2
18	CONDUIT *(THREE FEET REQUIRED)	32-0253	1	58	LOCKNUT	30-0159	8
19	DECAL - OPERATING INSTRUCTIONS (SEE 34-9016)	N/A	1	59	BOLT	27-0118	8
20	DECAL - MAINTENANCE INSTRUCTIONS (SEE 34-9016)	N/A	1	60	BELT TENSIONER PLATE	20-1030A01	2
21	CONTROL BOX ASSEMBLY	N/A SEP	1	61	BOLT	27-0576	4
22	CONDUIT *(FOUR FEET REQUIRED)	32-0486	1	62	CHECK VALVE	22-0436	2
23	PRESSURE GAUGE	22-0271	1	63	TEE	23-0475	1
24	REDUCER	23-0111	1	64	COPPER TUBING *(THREE FEET REQUIRED)	54-0034	1
25	BULKHEAD	24-0326	1	65	DECAL - TANK DRAIN (SEE 34-9016)	N/A	2
26	HOSE	15-0238	1	66	BOLT	27-0117	4
27	DECAL- DATA PLATE	N/A	1	67	LOCKWASHER	29-0008	4
28	DECAL - RISK OF BURNS (SEE 34-9016)	N/A	4	68	ISOLATOR	14-0109	4
29	BASEPLATE	5-0285A01	1	69	BOLT	27-0067	8
30	ELBOW	23-0471	2	70	NIPPLE	24-0314	2
31	HOSE	15-0287	1	71	ELBOW	23-0014	2
32	PUMP	3-0313	2	72	UNION	24-0317	2
33	MOTOR	2-0174	2	73	NIPPLE	24-0313	1
-	MOTOR	2-0165	2	74	PRESSURE SWITCH	22-0444	1
-	MOTOR	2-0176	2	75	PLUG	24-0009	1
34	BOLT	27-0220	8	76	TEE	23-0015	1
35	WASHER	28-0006	16	77	PLUG	39-0014	2
36	NUT	30-0163	8	78	PRESSURE SWITCH	22-0445	1
37	OIL DRAIN HOSE	70-0520	2	79	REDUCER	23-0056	1
38	REDUCER	24-0053	2	80	REDUCER	23-0226	1
39	HOSE	15-0291	1	81	PRESSURE RELIEF VALVE	22-0267	1
40	BOLT	27-0066	4	82	DECAL SET	34-9016	1

# ADD 120 GALLON DUPLEX M SERIES

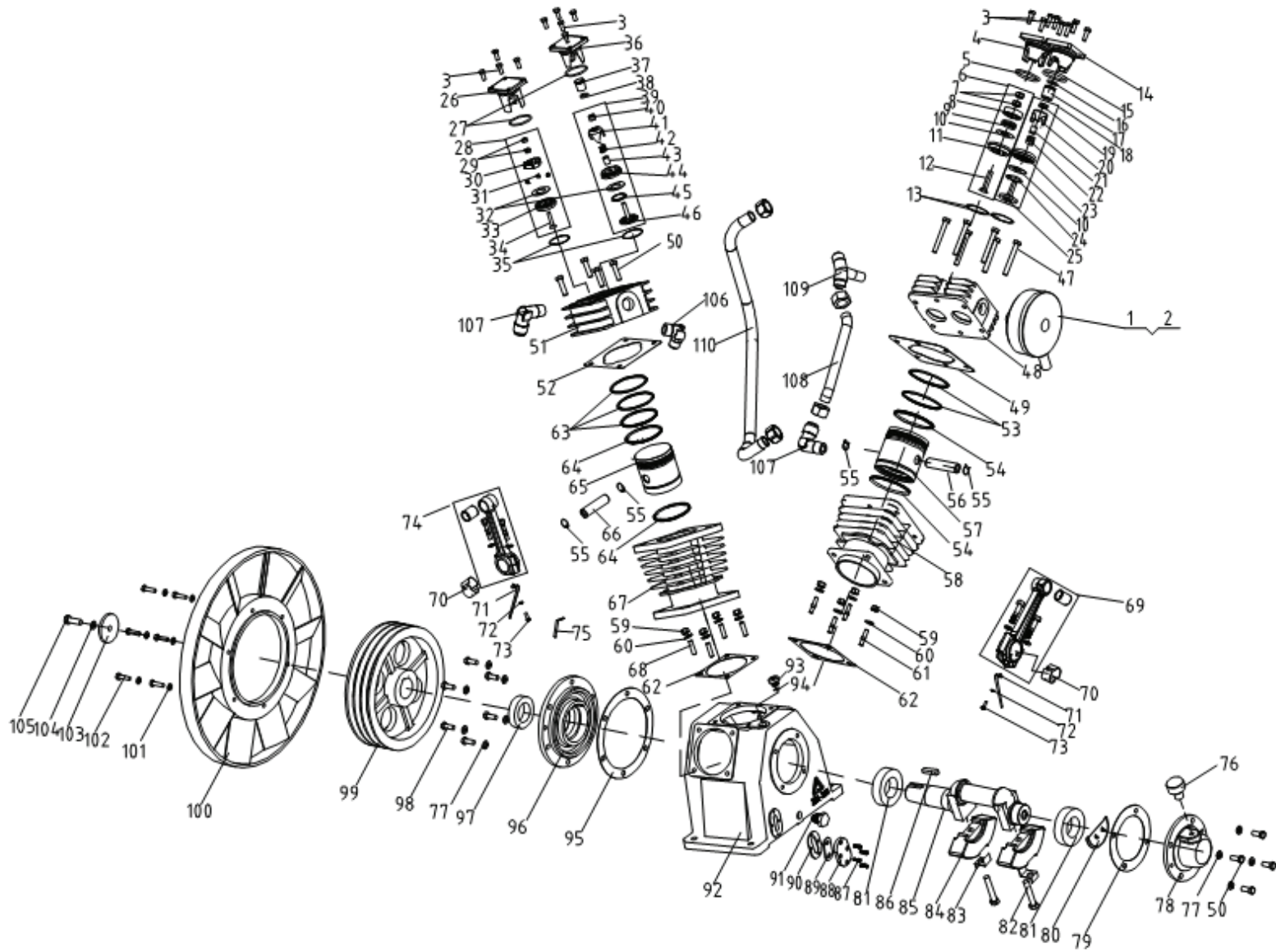


AdD-120 GALLON DUPLEX M 122308 PJH



ADD 120 GALLON M SERIES							
ITEM	DESCRIPTION	Mi-T-M #	QTY	ITEM	DESCRIPTION	Mi-T-M #	QTY
1	DECAL - Mi-T-M	34-2170	1	40	BELTGUARD STABILIZER	20-1032A01	4
2	DECAL Mi-T-M STRIPE	34-2282	1	41	SPACER	33-0425	4
3	PETCOCK	23-0312	1	42	BELTGUARD BACK	N/A	2
4	TANK ASSEMBLY	12-0201A01	1	43	LOCKNUT	30-0157	12
5	REDUCER	24-0233	1	44	SHEAVE	10-0149	2
6	NIPPLE	24-0200	1	46	BOLT	27-0015	6
7	BALL VALVE	22-0344	1	47	BELT	11-0083	6
8	COPPER TUBING *(TWO FEET REQUIRED)	54-0034	1	48	BELTGUARD FRONT	N/A	2
9	ELBOW	23-0316	3	49	EDGING *(THREE FEET REQUIRED)	33-0020	2
10	CHECK VALVE	22-0436	2	50	AFTERCOOLER OPTION	IX-0034	1
11	CONDUIT ELBOW	32-0254	2	51	BOLT	27-9524	14
12	CONDUIT *(TWO FEET REQUIRED)	32-0486	1	52	EDGING *(TWO FEET REQUIRED)	33-0020	4
13	CONDUIT STRAIGHT	32-0488	2	53	DECAL - CAUTION/WARNING/DANGER (SEE 34-9016)	N/A	1
14	CONDUIT ELBOW	32-0487	2	54	KEY	43-0078	2
15	CONDUIT *(FOUR FEET REQUIRED)	32-0253	1	55	LOCKNUT	30-0159	8
16	CONDUIT FITTING	32-0255	2	56	BOLT	27-0118	8
17	CONDUIT *(THREE FEET REQUIRED)	32-0253	1	57	BELT TENSIONER PLATE	20-1030A01	2
18	DECAL - OPERATING INSTRUCTIONS (SEE 34-9016)	N/A	1	58	BOLT	27-0576	4
19	DECAL - MAINTENANCE INSTRUCTIONS (SEE 34-9016)	N/A	1	59	TEE	23-0475	1
20	CONTROL BOX ASSEMBLY	N/A SEP	1	60	COPPER TUBING *(ONE FOOT REQUIRED)	54-0034	1
21	CONDUIT *(FOUR FEET REQUIRED)	32-0486	1	61	COPPER TUBING *(TWO FEET REQUIRED)	54-0034	1
22	PRESSURE GAUGE	22-0271	1	62	DECAL - TANK DRAIN (SEE 34-9016)	N/A	2
23	REDUCER	23-0111	1	63	TANK DRAIN OPTION	IX-0032	1
24	BULKHEAD	24-0326	1	64	BOLT	27-0117	4
25	HOSE	15-0238	1	65	LOCKWASHER	29-0008	4
26	DECAL- DATA PLATE	N/A	1	66	ISOLATOR	14-0109	4
27	DECAL - RISK OF BURNS (SEE 34-9016)	N/A	4	67	BOLT	27-0067	8
28	BASEPLATE	5-0285A01	1	68	NIPPLE	24-0314	2
29	ELBOW	23-0471	2	69	ELBOW	23-0014	2
30	PUMP	3-0313	2	70	UNION	24-0317	2
31	MOTOR (ADD-23110-120H)	2-0174	2	71	NIPPLE	24-0313	1
-	MOTOR (ADD-20310-120H)	2-0165	2	72	PRESSURE SWITCH	22-0444	1
-	MOTOR (ADD-23310-120H, ADD-46310-120H)	2-0176	2	73	PLUG	24-0009	1
32	BOLT	27-0220	8	74	TEE	23-0015	1
33	WASHER	28-0006	16	75	PLUG	39-0014	2
34	NUT	30-0163	8	76	PRESSURE SWITCH	22-0445	1
35	LOW OIL SHUTDOWN OPTION	IX-0007	2	77	REDUCER	23-0056	1
36	BOLT	27-0066	4	78	REDUCER	23-0226	1
37	WASHER	28-0003	24	79	PRESSURE RELIEF VALVE	22-0267	1
38	BOLT	27-8071	4	80	DECAL SET	34-9016	1
39	WASHER	28-0023	28				

# COMPRESSOR PUMP (3-0313)

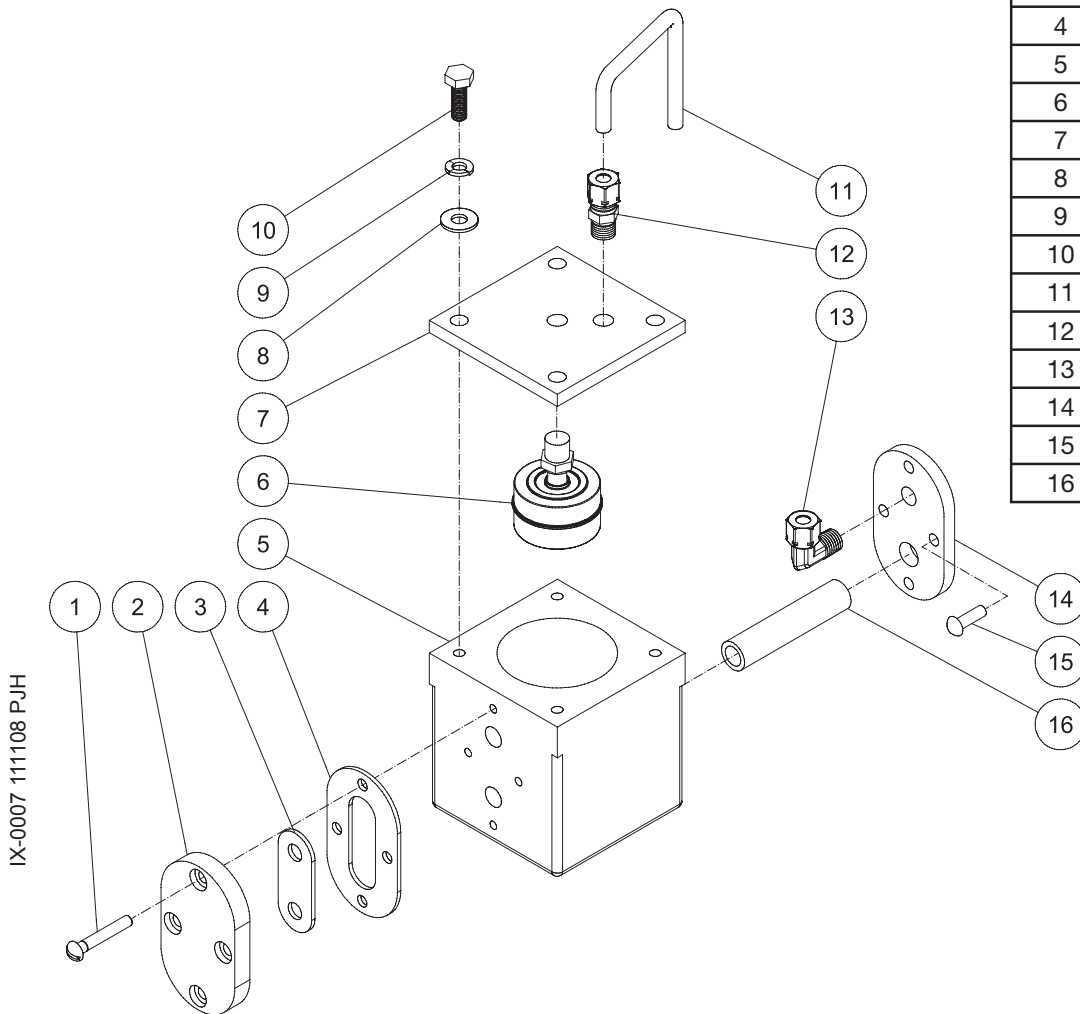


3-0313 122713 JDK

PUMP ASSEMBLY							
ITEM	DESCRIPTION	Mi-T-M #	QTY	ITEM	DESCRIPTION	Mi-T-M #	QTY
1	AIR STRAINER ASSEMBLY	19-0259	2	57	PISTON (1ST)	N/A	2
2	AIR STRAINER ELEMENT (NOT SHOWN)	19-0260	2	58	CYLINDER (1ST)	N/A	2
3	BOLT	N/A	16	59	NUT (1ST)	N/A	12
4	PUSH COVER (1ST)	N/A	2	60	WASHER (1ST)	N/A	12
5	O-RING (OUTLET VALVE-1ST)	25-0608	2	61	BOLT (1ST)	N/A	8
6	OUTLET VALVE ASSEMBLY (1ST)	8-0599	2	62	GASKET (SEE KIT 70-0531)	26-0337	3
7	NUT (OUTLET VALVE-1ST)	N/A	4	63	COMPRESSION RING (2ND)	N/A	3
8	RECEIVER (1ST)	N/A	2	64	OIL CONTROL RING (2ND)	N/A	2
9	SPRING (1ST)	N/A	2	65	PISTON (2ND)	N/A	1
10	PLATE (1ST)	N/A	4	66	PIN (2ND)	N/A	1
11	SEAT (1ST)	N/A	2	67	CYLINDER (2ND)	N/A	1
12	BOLT (1ST)	N/A	2	68	BOLT (1ST)	N/A	4
13	GASKET (1ST) (SEE KIT 70-0531)	26-0333	4	69	CONNECTING ROD ASSEMBLY (1ST)	N/A	2
14	PUSH COVER (1ST)	N/A	2	70	PIN (1ST)	N/A	6
15	O-RING (INLET VALVE-1ST)	25-0609	2	71	OIL SPLASH DIPPER	N/A	2
16	O-RING (UNLOADER-1ST)	25-0610	2	72	WASHER	N/A	3
17	PISTON (1ST)	46-1346	2	73	BOLT	N/A	3
18	INLET VALVE ASSEMBLY-1ST	8-0598	2	74	CONNECTING ROD ASSEMBLY (2ND)	N/A	1
19	LOCKNUT (INLET VALVE-1ST)	N/A	2	75	OIL SPLASH DIPPER	N/A	1
20	UNLOADER FORK (1ST)	N/A	2	76	BREATHING ASSEMBLY	46-1345	1
21	UNLOADER FORK GUIDE (1ST)	N/A	2	77	WASHER	N/A	10
22	SPRING (1ST)	N/A	2	78	COVER	N/A	1
23	SEAT (1ST)	N/A	2	79	GASKET (SEE KIT 70-0531)	26-0338	1
24	SPRING (1ST)	N/A	2	80	OIL BAFFLE	N/A	1
25	RECEIVER (1ST)	N/A	2	81	BEARING	N/A	2
26	PUSH COVER (2ND)	N/A	1	82	BOLT	N/A	2
27	O-RING (OUTLET VALVE-2ND)	25-0612	2	83	LOCKWASHER	N/A	2
28	OUTLET VALVE ASSEMBLY (2ND)	8-0601	1	84	COUNTERWEIGHT	N/A	2
29	NUT (OUTLET VALVE-2ND) (SEE KIT 8-0601)	SEE KIT	2	85	CRANKSHAFT	N/A	1
30	RECEIVER (2ND) (SEE KIT 8-0601)	SEE KIT	1	86	PIN	N/A	1
31	SPRING (2ND) (SEE KIT 8-0601)	SEE KIT	1	87	BOLT	27-8873	4
32	PLATE (2ND) (SEE KIT 8-0601)	SEE KIT	2	88	PUSH COVER	46-1562	1
33	SEAT (2ND) (SEE KIT 8-0601)	SEE KIT	1	89	SIGHT GLASS ASSEMBLY	46-1563	1
34	BOLT (2ND) (SEE KIT 8-0601)	SEE KIT	1	90	GASKET	26-0394	1
35	GASKET (2ND) (SEE KIT 70-0531)	26-0334	2	91	OIL PLUG	N/A	1
36	PUSH COVER (2ND)	N/A	1	92	CRANKCASE	N/A	1
37	PISTON (2ND)	46-1347	1	93	CAP	N/A	1
38	O-RING (UNLOADER-2ND)	25-0613	1	94	O-RING	N/A	1
39	INLET VALVE ASSEMBLY (2ND)	8-0600	1	95	GASKET (SEE KIT 70-0531)	26-0339	1
40	LOCKNUT (INLET VALVE-2ND) (SEE KIT 8-0600)	SEE KIT	1	96	COVER	N/A	1
41	UNLOADER FORK (2ND) (SEE KIT 8-0600)	SEE KIT	1	97	OIL SEAL	N/A	1
42	SPRING (2ND) (SEE KIT 8-0600)	SEE KIT	1	98	BOLT (1ST)	N/A	6
43	UNLOADER FORK GUIDE (2ND) (SEE KIT 8-0600)	SEE KIT	1	99	PULLEY	N/A	1
44	SEAT (2ND) (SEE KIT 8-0600)	SEE KIT	1	100	FAN	N/A	1
45	SPRING (2ND) (SEE KIT 8-0600)	SEE KIT	1	101	WASHER	N/A	6
46	RECEIVER (2ND) (SEE KIT 8-0600)	SEE KIT	1	102	BOLT	N/A	6
47	BOLT (1ST)	N/A	12	103	WASHER	N/A	1
48	CYLINDER HEAD (1ST)	N/A	2	104	WASHER	N/A	1
49	GASKET (1ST) (SEE KIT 70-0531)	26-0335	2	105	BOLT	N/A	1
50	BOLT (1ST)	N/A	8	106	JOINT	N/A	1
51	CYLINDER HEAD (2ND)	N/A	1	107	JOINT	N/A	2
52	GASKET (2ND) (SEE KIT 70-0531)	26-0336	1	108	PIPING ASSEMBLY	46-1348	1
53	COMPRESSION RING (1ST)	N/A	4	109	JOINT	N/A	1
54	OIL CONTROL RING (1ST)	N/A	4	110	PIPING ASSEMBLY - LONG	46-1349	1
55	SNAP RING (1ST)	N/A	6	-	GASKET KIT (INCLUDES #'S 13, 35, 49, 52, 62, 79, 95)	70-0531	1
56	PIN (1ST)	N/A	2				

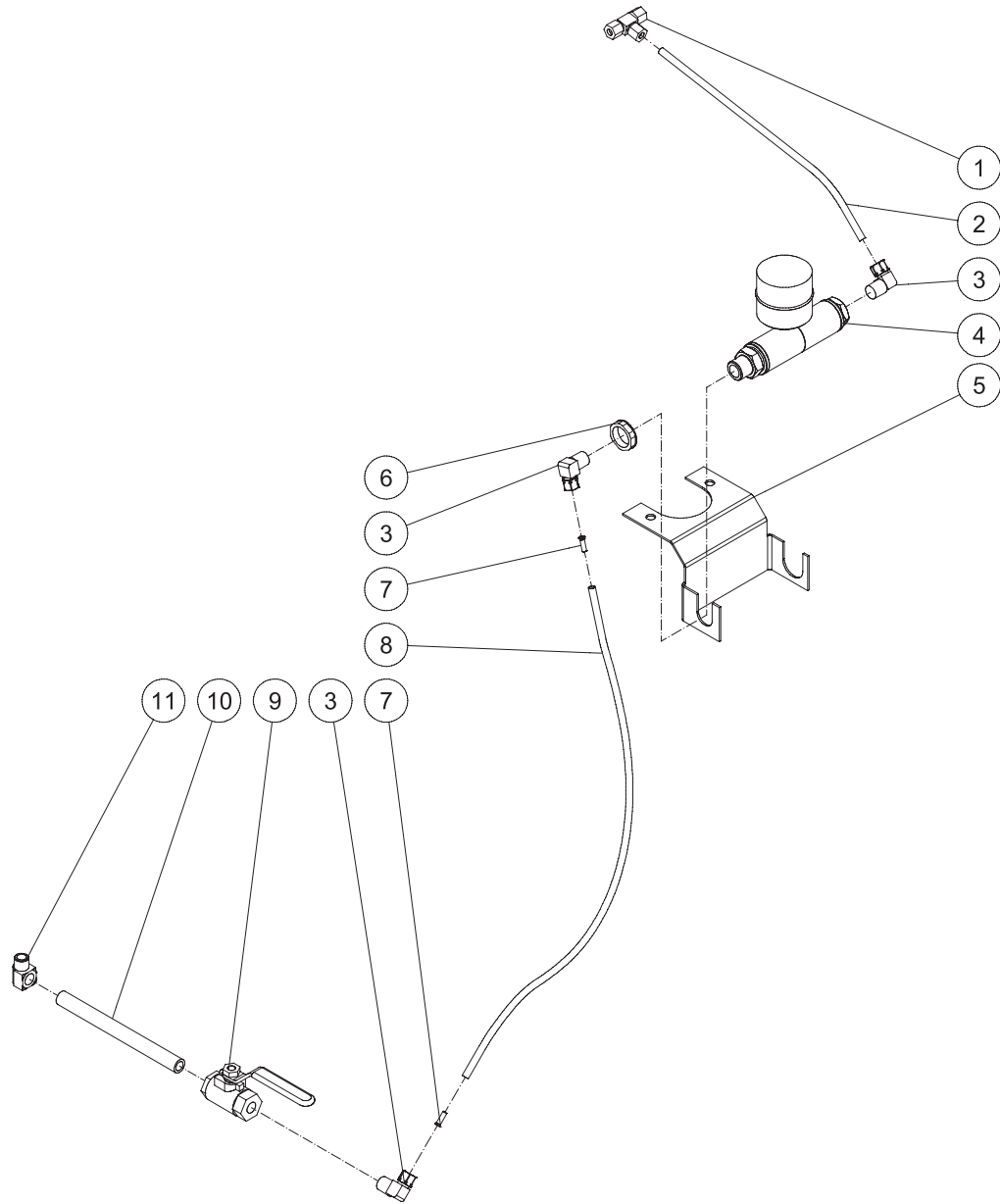
## LOW OIL SHUTDOWN (IX-0007)

IX-0007 111108 PJH			
LOW OIL SHUTDOWN			
REF #	DESCRIPTION	PART #	QTY
1	SCREW	27-8912	4
2	OIL SIGHT	N/A	1
3	OIL GAUGE	N/A	1
4	GASKET	N/A	1
5	OIL CONTAINER	56-0064	1
6	FLOAT	32-0998	1
7	LID	56-0063	1
8	WASHER	28-0002	4
9	LOCKWASHER	29-0006	4
10	BOLT	27-0015	4
11	COPPER TUBING *(ONE FOOT REQUIRED)	54-0034	1
12	ADAPTER	23-0328	1
13	ELBOW	23-0316	1
14	SIGHT GLASS COVER	20-1038A01	1
15	SCREW	27-9526	4
16	NIPPLE	24-0145	1



IX-0007 111108 PJH

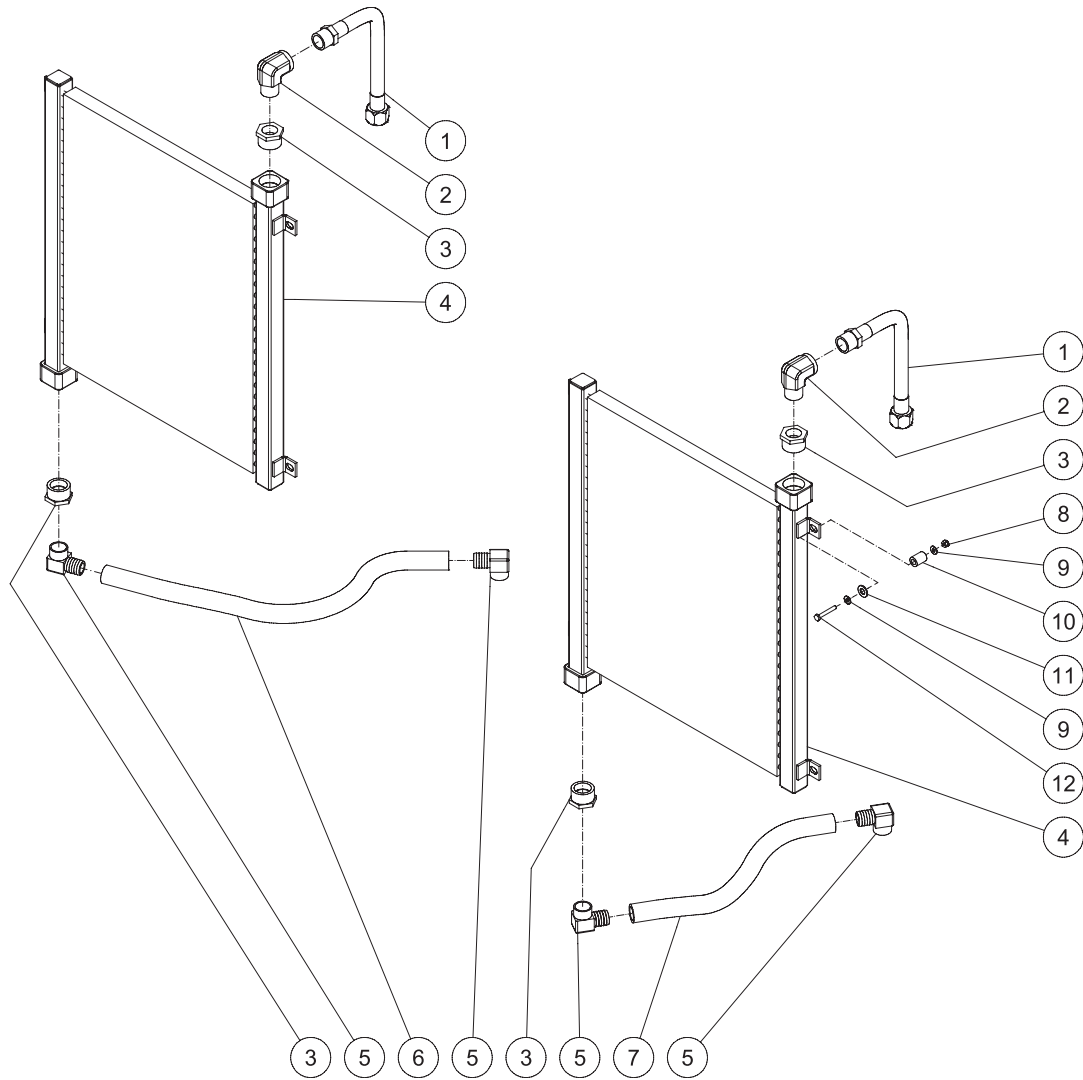
## PNEUMATIC DRAIN OPTION (IX-0032)



IX-0032 020909-PJH			
TANK DRAIN OPTION			
ITEM	DESCRIPTION	Mi-T-M #	QTY
1	TEE	23-0476	1
2	HOSE *(ONE FOOT REQUIRED)	15-0238	1
3	ADAPTER	23-0417	3
4	PNEUMATIC DRAIN	22-0448	1
5	BRACKET	13-0197A01	1
6	ELECTRICAL LOCKNUT	32-0108	1
7	TUBE SUPPORT	23-0425	2
8	HOSE *(TWO FEET REQUIRED)	15-0238	1
9	BALL VALVE	22-0002	1
10	NIPPLE	24-0315	1
11	ELBOW	23-0014	1

IX-0032 020909 PJH

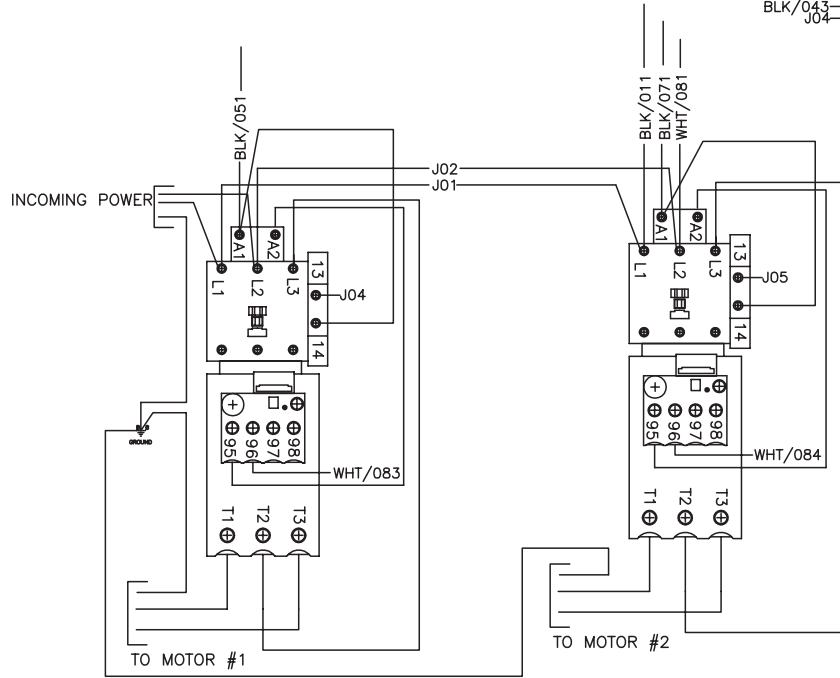
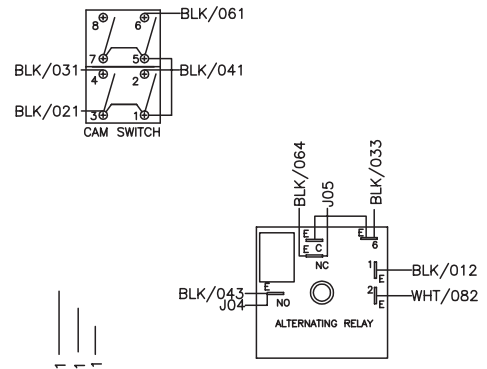
# AFTERCOOLER (IX-0034)



IX-0034 020909 PJH

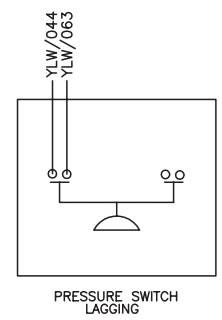
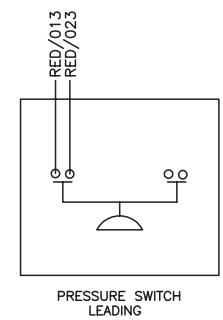
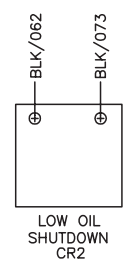
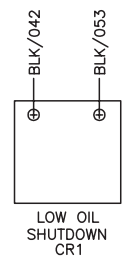
IX-0034 020909 PJH			
AFTERCOOLER OPTION			
ITEM	DESCRIPTION	Mi-T-M #	QTY
1	HOSE	15-0287	2
2	ELBOW	24-0319	2
3	REDUCER	23-0456	4
4	AFTERCOOLER	33-0488	2
5	HOSE BARB	23-0483	4
6	HOSE *(THREE FEET REQUIRED)	15-0290	1
7	HOSE *(TWO FEET REQUIRED)	15-0290	1
8	LOCKNUT	30-0155	8
9	WASHER	28-0002	16
10	SPACER	33-0425	8
11	WASHER	28-0005	8
12	BOLT	27-0019	8

# WIRE SCHEMATIC 230V 1 PHASE



BLK/011	01	RED/013
BLK/012	02	RED/023
BLK/021	03	BLK/033
BLK/031	04	BLK/043
BLK/041	05	BLK/053
BLK/051	06	YLW/063
BLK/061	07	BLK/073
WHT/081	08	WHT/083

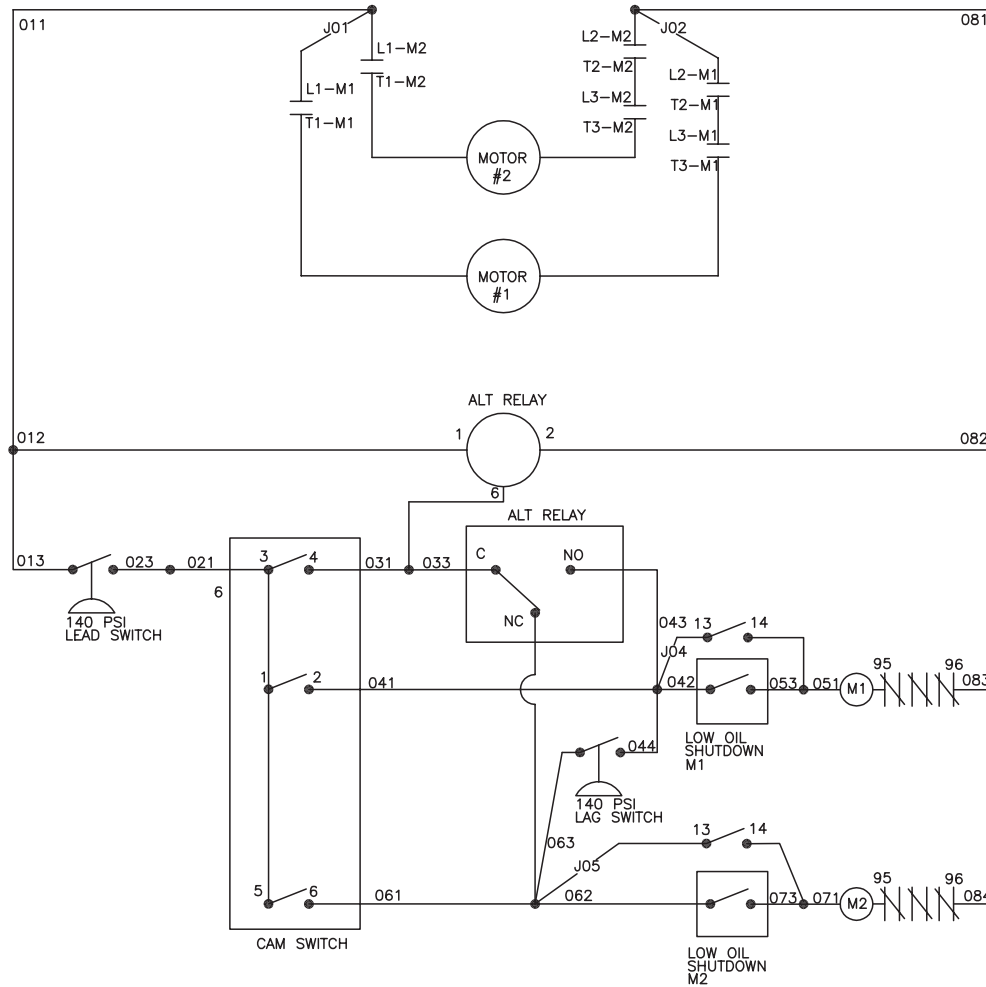
230V



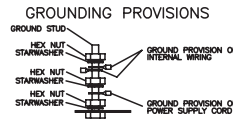
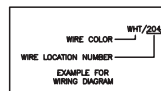
WIRE SCHEMATIC 230V SINGLE PHASE DUPLEX



# WIRE DIAGRAM 230V 1 PHASE

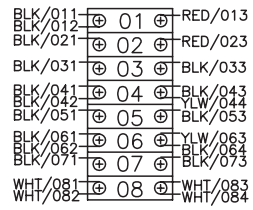
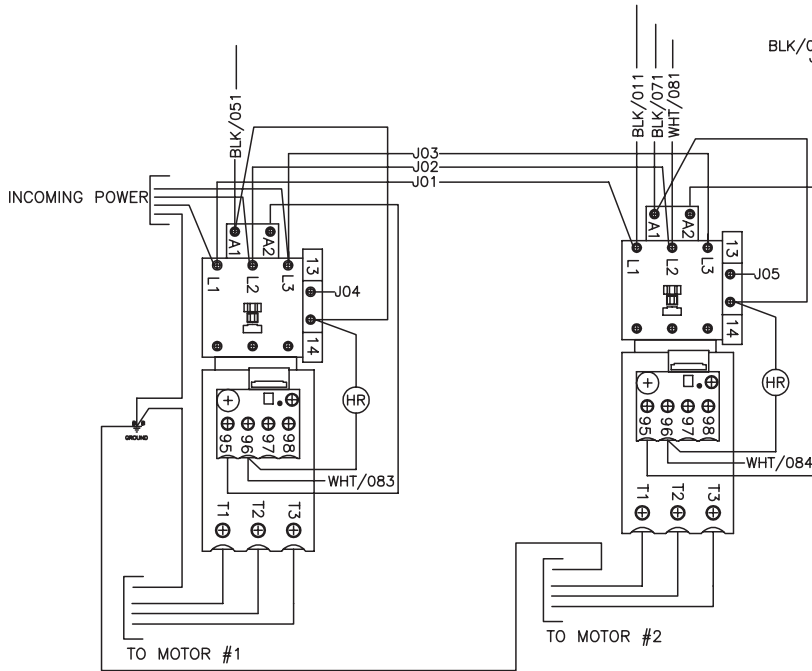
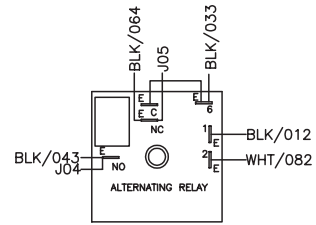
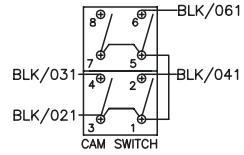


- NOTES:  
 1) ALL WIRES ARE 16GA UNLESS OTHERWISE SPECIFIED  
 2) IF THERE IS NO LOW OIL SHUTDOWN, PLACE JUMPERS BETWEEN TERMINALS 04-05 AND 06-07

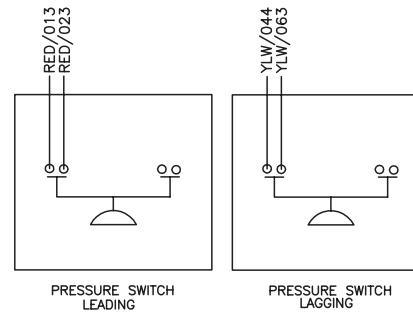
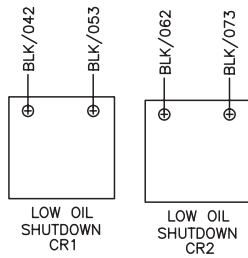


WIRING INFORMATION		
HP	VOLTAGE	WIRE SIZE
5	230	10
7.5	230	8
10	230	8

# WIRE SCHEMATIC 200/230V 3 PHASE

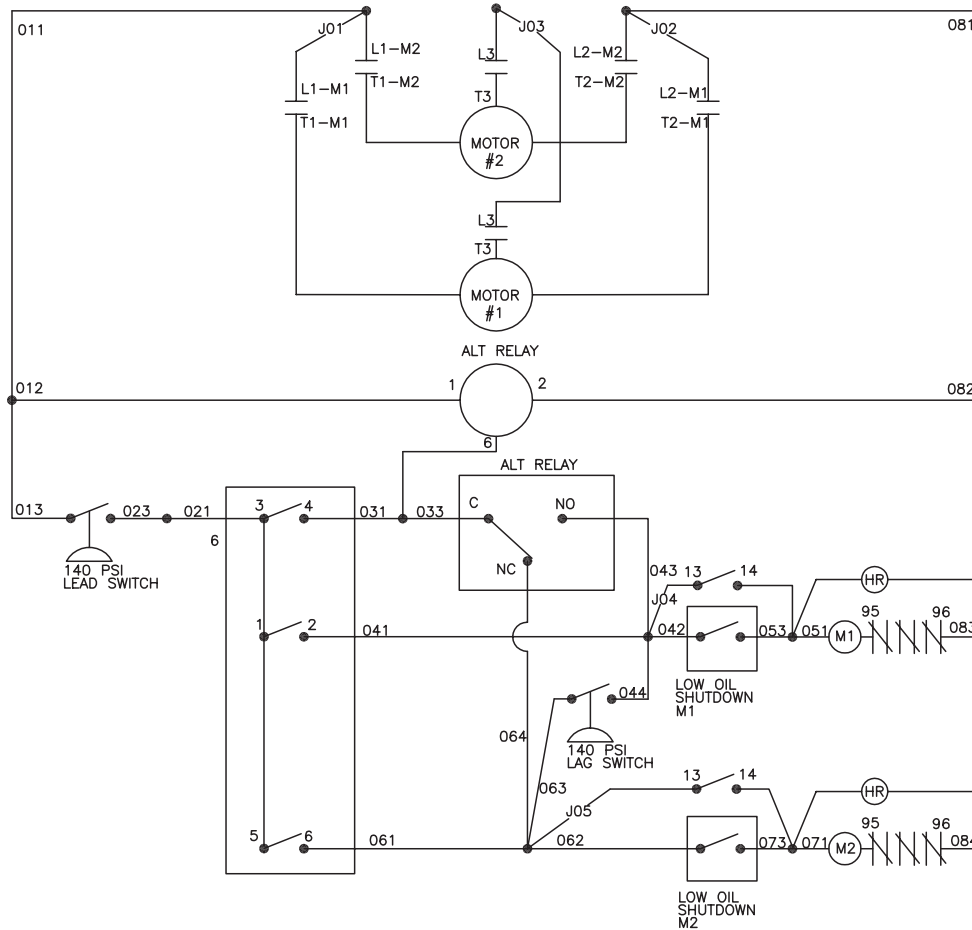


230V



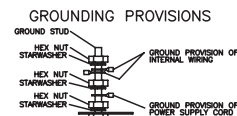
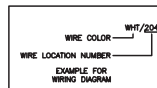
WIRE SCHEMATIC 200/230V THREE PHASE DUPLEX 052115

# WIRE DIAGRAM 200/230V 3 PHASE

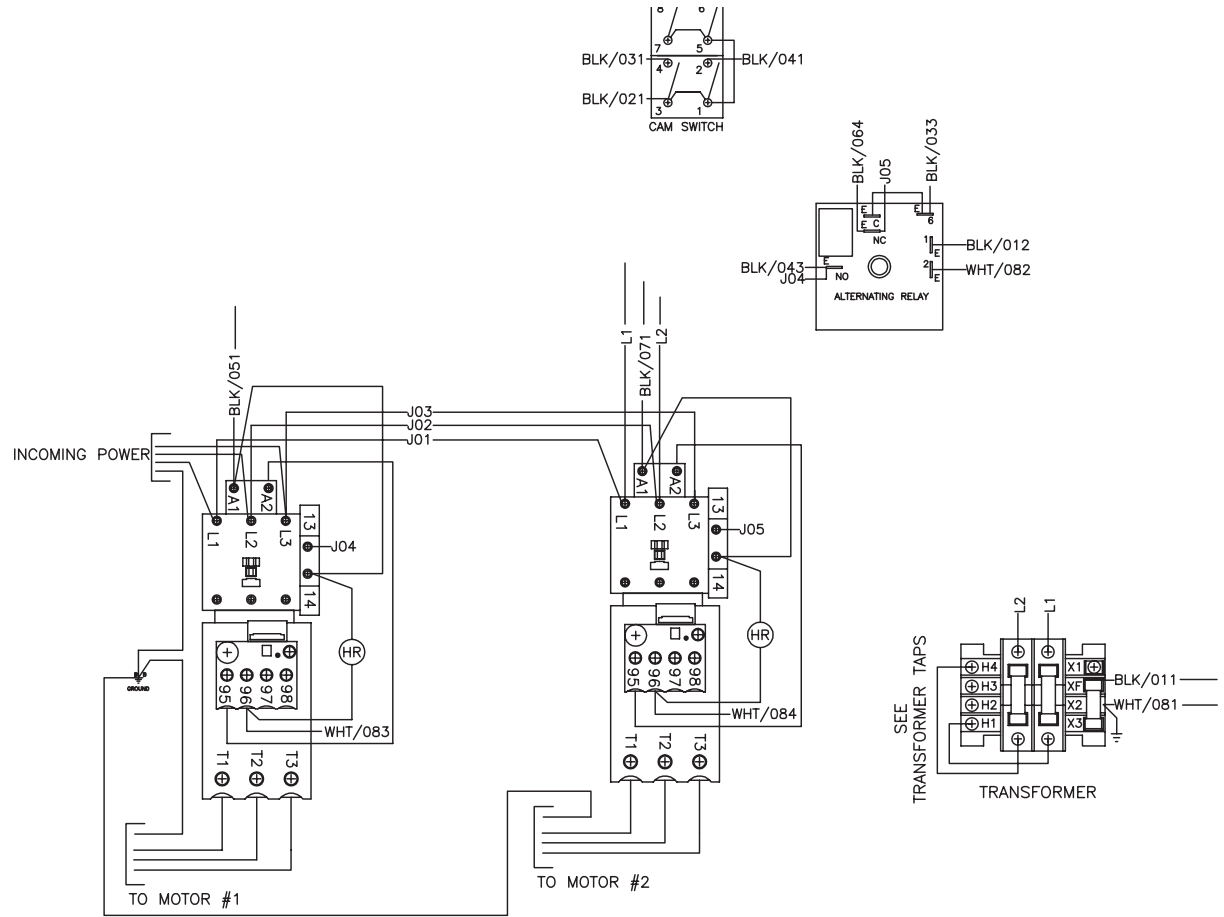


- NOTES:  
 1) ALL WIRES ARE 16GA UNLESS OTHERWISE SPECIFIED  
 2) IF THERE IS NO LOW OIL SHUTDOWN, PLACE JUMPERS BETWEEN TERMINALS 04-05 AND 06-07

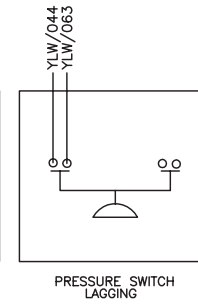
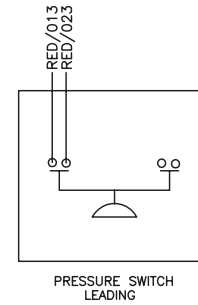
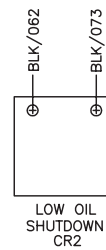
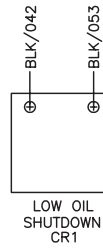
WIRING INFORMATION		
HP	VOLTAGE	WIRE SIZE
5	200	12
	230	14
7.5	200	10
	230	12
10	200	8
	230	10
15	200	8
	230	8
20	200	6
	230	6
25	200	4
	230	6
30	200	4
	230	4



# WIRE SCHEMATIC 460V 3 PHASE

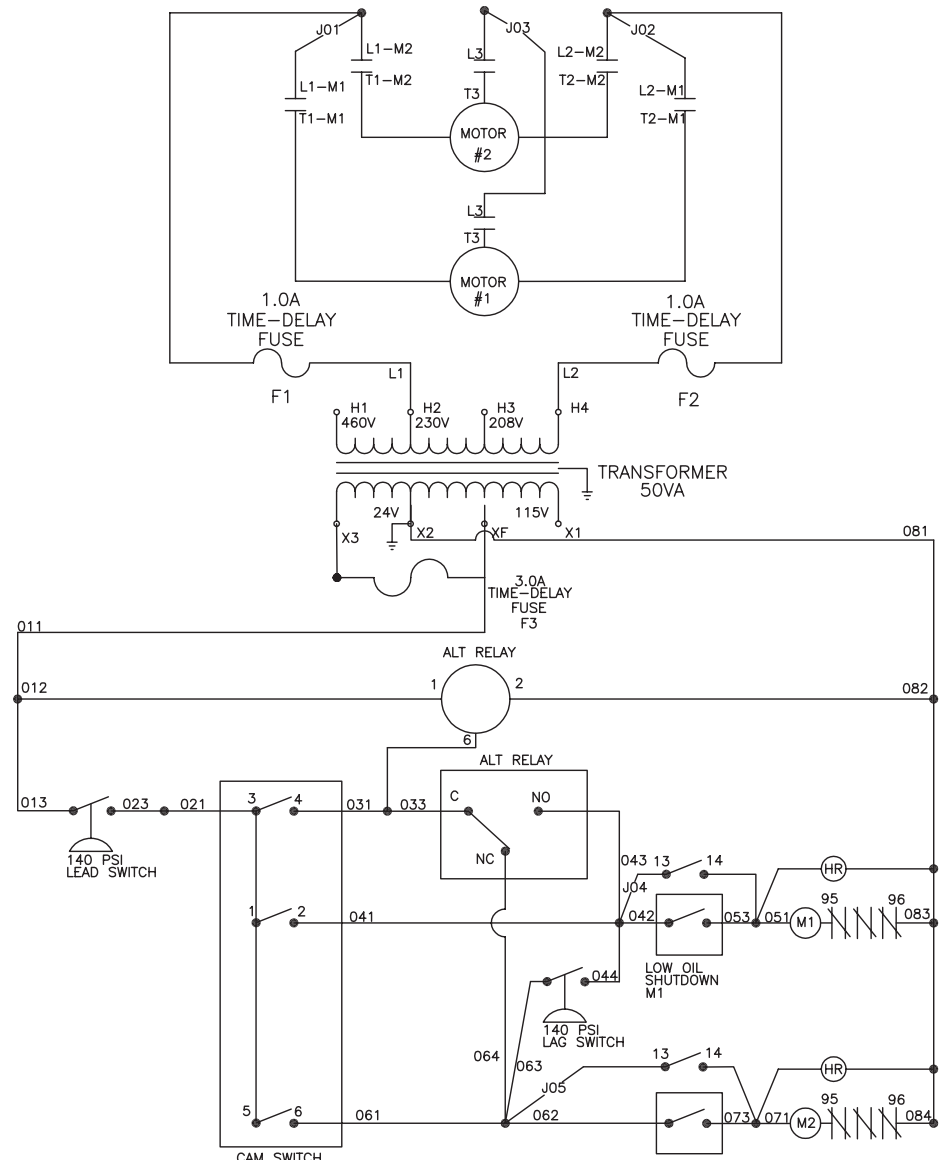


BLK/011	⊕ 01	RED/013
BLK/012	⊕ 02	RED/023
BLK/021	⊕ 03	BLK/033
BLK/041	⊕ 04	BLK/043
BLK/042	⊕ 05	YLW/044
BLK/051	⊕ 06	BLK/053
BLK/061	⊕ 07	YLW/063
BLK/062	⊕ 08	BLK/064
WHT/071	⊕ 09	BLK/073
WHT/081	⊕ 10	WHT/083
WHT/082	⊕ 11	WHT/084

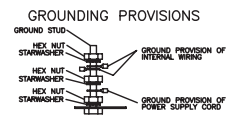
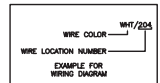


WIRE SCHEMATIC 460V THREE PHASE DUPLEX 0521115

# WIRE DIAGRAM 460V 3 PHASE



- NOTES:  
 1) ALL WIRES ARE 16GA UNLESS OTHERWISE SPECIFIED  
 2) IF THERE IS NO LOW OIL SHUTDOWN, PLACE JUMPERS BETWEEN TERMINALS 04-05 AND 06-07



WIRING INFORMATION		
HP	VOLTAGE	WIRE SIZE
5	460	14
7.5	460	14
10	460	14
15	460	12
20	460	10
25	460	8
30	460	8

WIRE DIAGRAM 460V THREE PHASE DUPLEX 052115

Manufactured by Mi-T-M  
50 Mi-T-M Drive, Peosta IA 52068  
563-556-7484/ Fax 563-556-1235