



PARTS LIST FOR AIR COMPRESSOR ***ABS SERIES***

ENGINE OIL GRADE:	
HONDA/KOHLER/SUBARU	SAE10W-30
KOHLER DIESEL	SAE15W-40
ENGINE OIL CAPACITY:	
HONDA	37 oz.
KOHLER	44.0 oz.
SUBARU	40.5 oz.
KOHLER DIESEL:	50.7 oz.
MAXIMUM PRESSURE:	175 PSI
COMPRESSOR OIL GRADE:	SAE30W NON-DETERGENT
COMPRESSOR OIL CAPACITY:	48 oz.

This Parts Listing has been compiled for your benefit. You can be assured your Mi-T-M Gasoline Air Compressor was constructed and designed with quality and performance in mind. Each component has been rigorously tested to insure the highest level of acceptance.

The contents of this Parts Listing are based on the latest product information available at the time of publication. Mi-T-M reserves the right to make changes in price, color, materials, equipment, specifications or models at any time without notice.

WARNING

THIS IS A PROFESSIONAL GASOLINE AIR COMPRESSOR. CAUTION SHOULD BE OBSERVED WHEN USING OR REPAIRING THIS UNIT! READ AND FOLLOW THE SAFETY WARNINGS LISTED BELOW BEFORE ATTEMPTING ANY REPAIRS ON THIS AIR COMPRESSOR!

SAFETY WARNINGS

1. NEVER alter or modify the equipment. Be sure any accessory items and system components being used will withstand the pressure developed. Use only genuine Mi-T-M parts for repair of your air compressor. Failure to do so can cause hazardous operating conditions and will VOID warranty.
2. Know how to stop and bleed pressures quickly. Be thoroughly familiar with controls.
3. Before servicing the unit, turn unit off, relieve the pressure and allow the unit to cool down. Do not make repairs while the unit is running. Service in a clean, dry, flat area. Block the wheels to prevent the unit from moving. Be especially careful to properly dispose of any flammable materials.
4. After testing the machine, DO NOT leave the pressurized unit unattended. Shut off the unit and release trapped pressure before leaving.

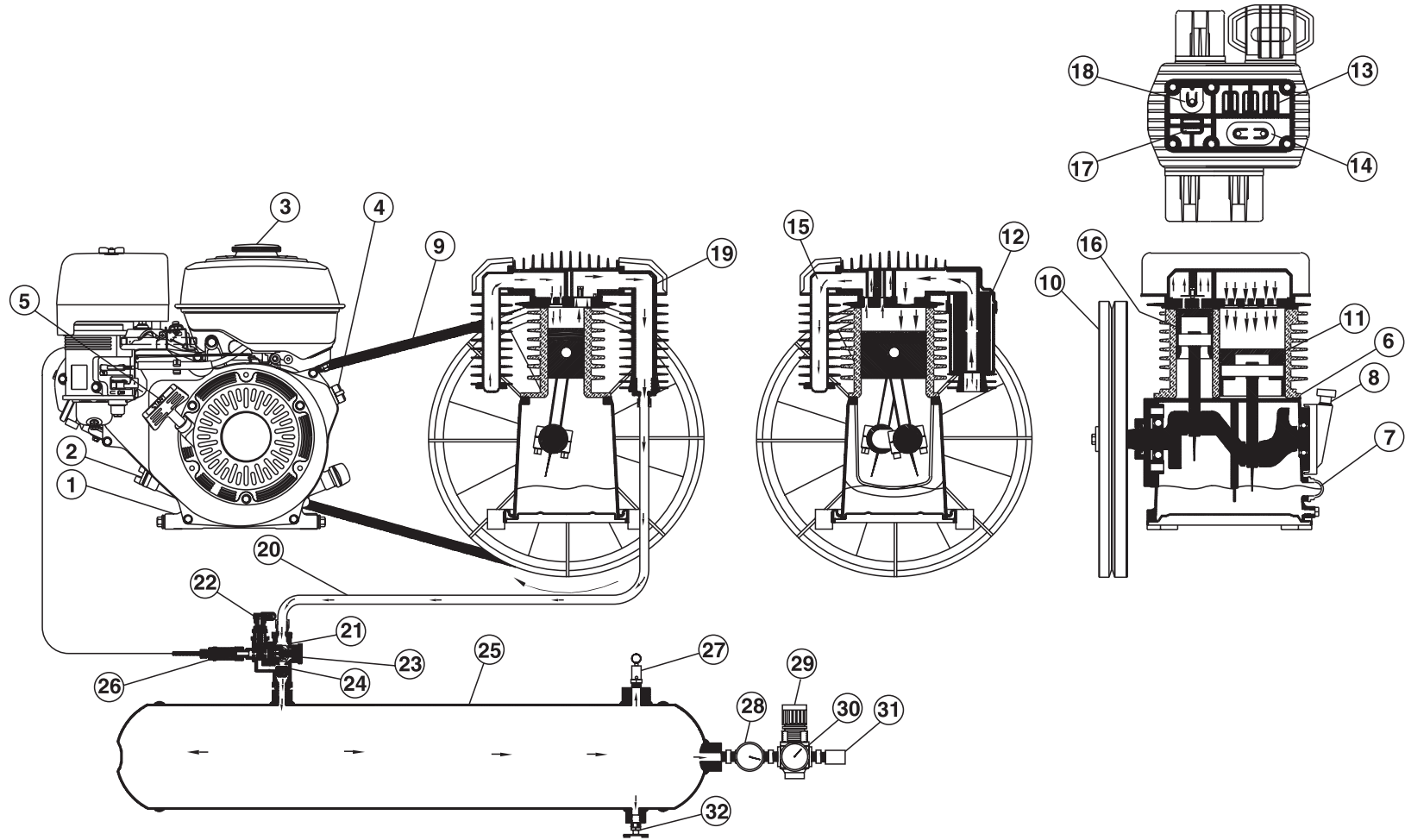
Table of Contents

SPECIFICATIONS	3
FLOW CHART	4
GENERAL THEORY OF OPERATION	5
ABS-13H-30H	6
ABS-13H-30ST	8
ABS-14S-30H AND ABS-14K-30H	10
ABS-9KD-30H	12
ABS-13H-80H	14
ABS-14S-80H	16
ABS-13H-B	18
ABS-14S-B	20
COMPRESSOR PUMP (3-0304)	22

SPECIFICATIONS

MODEL NUMBER	ABS-13H-30H / ABS-13H-30ST / ABS-14S-30H	ABS-13H-80H / ABS-14S-80H	ABS-14K-30H	ABS-9KD-30H
MOTOR:	Honda / Subaru		Kohler	Kohler
Horsepower	GX390 / EX40		CH440	KD440
Oil Type	SAE10W-30			SAE15W-40
Oil Capacity	37 oz. / 40.5 oz.		44 oz.	48 oz.
Low Oil Protection	Oil Alert TM	Oil Sensor	Oil Alert TM	Oil Sensor
Fuel Type	Unleaded Gasoline 86 Octane Minimum			Low Sulfer Diesel
Fuel Capacity	1.7 Gallon / 1.85 Gallon		1.85 Gallon	1.32 Gallon
Starting	Recoil			Electric Start
Engine RPM	3300			
Idle RPM	2200-2400			1800-2000
Compressor Pump:				
Number of Cylinders	2			
Compression Stages	2			
First Stage Bore	4.72"			
Second Stage Bore	2.56"			
Stroke	3.15"			
RPM	1000			
Flywheel	16.5"			
Lubrication	Splash			
Oil Quantity	48 oz.			
Oil Type	30 W Non Detergent			
Crankcase	Cast Iron			
Bearings	Ball			
Cylinder	Cast Iron			
Valves	Reed			
Head	Cast Iron			
Filter	Canister			
AIR TANK:				
Capacity	30 Gallons	80 Gallons	30 Gallons	30 Gallon
PERFORMANCE:				
CFM @ 40 PSI	31.9			
CFM @ 100 PSI	30.5			
CFM @ 175 PSI	29.0			
Maximum Pressure	175 PSI			
*Pump-up Time: 0-175 PSI	1 minute and 44 seconds			
* Recovery Time: 145-175 PSI	15 seconds			
WEIGHT:				
Net	426 lbs	555 lbs	426 lbs	483 lbs
Shipping	483 lbs	615 lbs	483 lbs	540 lbs
DIMENSIONS:				
Basic L x W x H	40" x 24.5" x 45"	52" x 26.5" x 53"	40" x 24.5" x 45"	
Shipping L x W x H	47" x 32" x 48.5"	57.25" x 35.5" x 53"	47" x 32" x 48.5"	
*Pump-up and Recovery Time is only for 30 gallon units.				

FLOW CHART

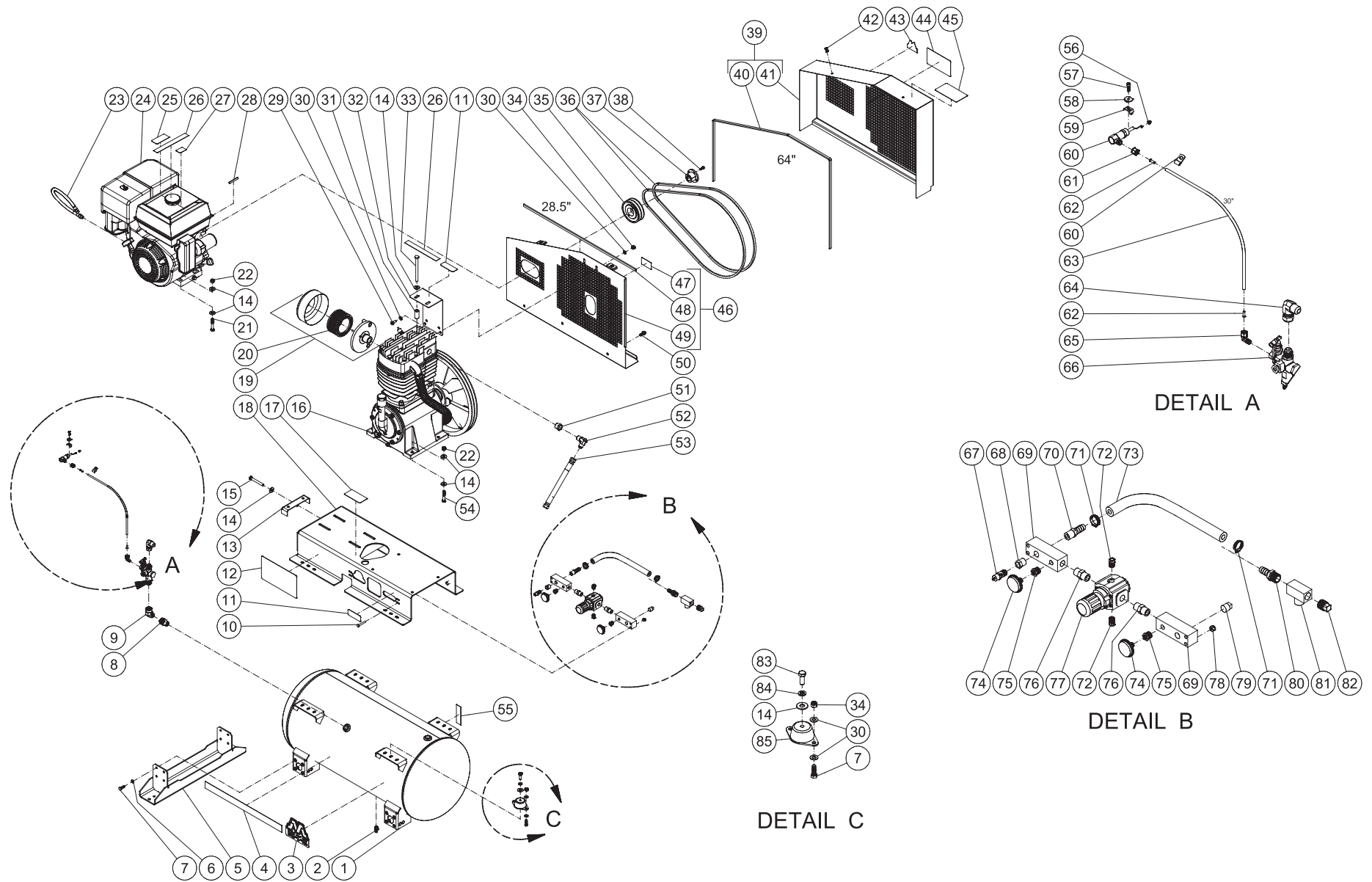


OMAC0051

GENERAL THEORY OF OPERATION

1. The **ENGINE (1)** supplies power to the air compressor.
 - a. The **ENGINE (1)** is lubricated by oil. The oil level should be checked before each use by removing the **ENGINE OIL DIPSTICK (2)**.
 - b. The **ENGINE (1)** runs on gasoline. The **FUEL TANK (3)** level should be checked before each use.
 - c. The **ENGINE ON/OFF SWITCH (4)** and **STARTER ROPE (5)** are used to start the engine.
 - d. Refer to engine owner's manual for appropriate starting procedures and requirements of the **ENGINE (1)**.
2. The **COMPRESSOR PUMP (6)** is lubricated by oil. The oil level should be checked before each use by viewing the **COMPRESSOR PUMP OIL SIGHTGLASS (7)**. If the oil level is low, add SAE-30W non-detergent oil to the **COMPRESSOR PUMP OIL FILL PORT (8)**.
3. When the unit is operating, the **V-BELT (9)** turns the **COMPRESSOR PUMP FLYWHEEL (10)** which rotates the crankshaft and moves the pistons.
4. As the **FIRST STAGE PISTON (11)** moves down, air is drawn in through the **INLET AIR FILTER (12)**. Then through the **FIRST STAGE INLET REED VALVES (13)** and into the first stage piston chamber. At the same time, the **FIRST STAGE OUTLET REED VALVES (14)** is closed. This allows air to fill the first stage piston chamber.
5. As the **FIRST STAGE PISTON (11)** moves upward, the **FIRST STAGE INLET REED VALVE (13)** closes. The **FIRST STAGE OUTLET REED VALVE (14)** opens allowing the compressed air to flow into the **INTERCOOLER (15)** and into the second stage.
6. As the **SECOND STAGE PISTON (16)** moves down, the first stage compressed air is drawn in through the **SECOND STAGE INLET REED VALVES (17)** and into the second stage piston chamber. At the same time, the **SECOND STAGE OUTLET REED VALVES (18)** is closed.
7. As the **SECOND STAGE PISTON (16)** moves upward, the **SECOND STAGE INLET REED VALVES (17)** closes. The **SECOND STAGE OUTLET REED VALVES (18)** opens allowing the compressed air to flow into the **AFTERCOOLER (19)** and **DISCHARGE LINE (20)**.
8. The compressed air then enters the **PILOT CONTROL VALVE (21)** which has an **TOGGLE KNOB (22)** with two positions.
 - a. **Easy Start Position:** When the **TOGGLE KNOB (22)** is in the *open* position (*vertical*) air moves out the **PILOT VALVE MUFFLER (23)** allowing the **ENGINE (1)** to start under no-load conditions .
 - b. **Constant Run Position:** When the **TOGGLE KNOB (22)** is in the *closed* position (*horizontal*) the compressed air opens the **CHECK VALVE (24)** and moves into the **AIR TANK (25)**. When the pressure in the **AIR TANK (25)** reaches the maximum pressure setting of the **PILOT CONTROL VALVE (21)**, the excess air exits the **PILOT VALVE MUFFLER (23)** and the **CHECK VALVE (24)** will close. At the same time the **THROTTLE CONTROL (26)** allows the **ENGINE (1)** to idle down.
9. The **SAFETY RELIEF VALVE (27)** protects the system from any overpressure conditions.
10. The **TANK PRESSURE GAUGE (28)** indicates tank pressure. The **AIR PRESSURE REGULATOR (29)** can be adjusted to the desired operating pressure which is indicated on the **OUTLET PRESSURE GAUGE (30)**. The air exits through the **OUTLET FITTING (31)**.
11. The **ENGINE ON/OFF SWITCH (4)** stops the **ENGINE (1)** when moved to the "OFF" position.
12. When the **ENGINE (1)** is off, compressed air should be released from the **AIR TANK (25)** by opening the attached air tool or by pulling on the **SAFETY RELIEF VALVE (27)**. When the **TANK PRESSURE GAUGE (28)** registers less than 10 PSI, drain the condensation from the **AIR TANK (25)** by opening the **TANK DRAIN (32)**.

ABS-13H-30H

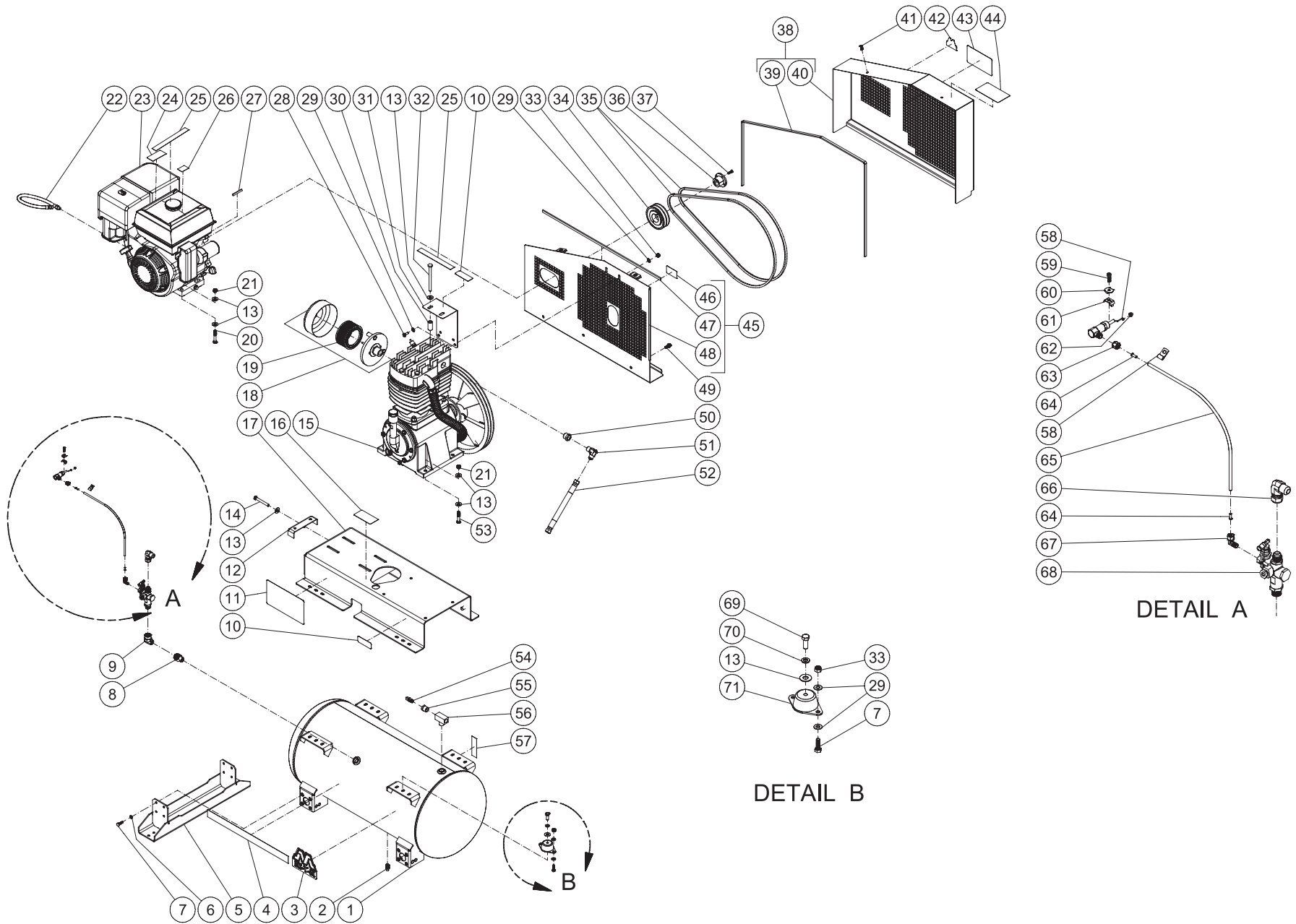


ABS-13H-30H 053014 ALC

TANK ASSEMBLY

ITEM	DESCRIPTION	PART #	QTY	ITEM	DESCRIPTION	PART #	QTY
1	TANK ASSEMBLY	12-0209A01	1	44	DECAL - MAINTENANCE INSTRUCTIONS (SEE 71-2006)	N/A	1
2	PETCOCK	23-0312	1	45	DECAL - OPERATING INSTRUCTIONS (SEE 71-2006)	N/A	1
3	DECAL - Mi-T-M	34-2169	1	46	BELTGUARD BACK ASSEMBLY (INC. 47-49)	854-0087	1
4	DECAL - Mi-T-M STRIPE	34-2189	1	47	DECAL - BELTGUARD IN PLACE (SEE 71-2006)	N/A	1
5	FOOT	20-0862A01	2	49	BELTGUARD BACK (SEE 854-0087)	N/A	1
6	LOCKWASHER	29-0007	16	50	BOLT	27-9524	3
7	BOLT	27-0067	24	51	BUSHING	23-0023	1
8	CONNECTOR	23-0072	1	52	90° ELBOW FITTING	24-0074	1
9	ELBOW	24-0041	1	53	HOSE	15-0243	1
10	BOLT	27-0019	4	54	BOLT	27-0121	4
11	DECAL - RISK OF BURNS (SEE 71-2006)	N/A	2	55	DECAL - TANK DRAIN (SEE 71-2006)	N/A	1
12	DECAL - CAUTION/WARNING/DANGER (SEE 71-2006)	N/A	1	56	ADAPTOR	62-0126	1
13	TIGHTENER BRACKET	20-0650A01	1	57	BOLT	-	1
14	WASHER	28-0023	23	58	THROTTLE CONTROL CLAMP	-	1
15	BOLT	27-0576	1	59	CLIP	45-0084	1
16	PUMP	3-0304	1	60	THROTTLE CLIP	33-0413	1
17	DECAL- SILVER STICKER	N/A	1	61	NUT	23-0315	1
18	BASEPLATE	5-0283A01	1	62	TUBE SUPPORT	23-0486	2
19	FILTER CANISTER	19-0237	1	63	HOSE *(TWO FEET REQUIRED)	15-0238	1
20	AIR FILTER	19-0226	1	64	90° ELBOW FITTING	24-0272	1
21	BOLT	27-0122	4	65	ELBOW	23-0316	1
22	LOCKNUT	30-0159	8	66	PILOT VALVE	22-0270	1
23	OIL DRAIN HOSE	70-0358	1	67	PRESSURE RELIEF VALVE	22-0267	1
24	ENGINE	1-0087	1	68	REDUCER	23-0017	1
25	DECAL - MUFFLER HOT (SEE 71-2006)	N/A	1	69	MANIFOLD BLOCK	51-0033	2
26	DECAL - CHECK OIL	N/A	2	70	HOSE BARB	23-0105	1
27	DECAL - ENGINE FUEL (SEE 71-2006)	N/A	1	71	HOSE CLAMP	42-0011	2
28	KEY	43-0078	1	72	PLUG	24-0009	2
29	BOLT	27-0066	2	73	HOSE *(TWO FEET REQUIRED)	15-0007	1
30	WASHER	28-0003	20	74	PRESSURE GAUGE	22-0271	2
31	SPACER	20-1020A52	2	75	REDUCER	23-0111	2
32	BELTGUARD STABILIZER	13-0192A01	1	76	NIPPLE	24-0010	2
33	BOLT	27-8074	2	77	REGULATOR	22-0395	1
34	LOCKNUT	30-0157	10	78	LOCKNUT	30-0155	4
35	SHEAVE	10-0025	1	79	PLUG	24-0034	1
36	BELT	11-0059	2	80	BARB	23-0045	1
37	BUSHING	9-0005	1	81	TEE	23-0235	1
38	BOLT	27-0015	2	82	PLUG	39-0016	1
39	BELTGUARD FRONT ASSEMBLY (INC. 40-41)	854-0088	1	83	BOLT	27-0117	4
40	EDGING *(SIX FEET REQUIRED)	33-0020	1	84	LOCKWASHER	29-0008	4
41	BELTGUARD FRONT (SEE 854-2006)	N/A	1	85	ISOLATOR	14-0109	4
42	FASTENER	33-0197	2	-	DECAL SET - COMP GAS	71-2006	1
43	DECAL - Mi-T-M	N/A	1	*MUST ORDER IN ONE FOOT LENGTHS			

ABS-13H-30ST

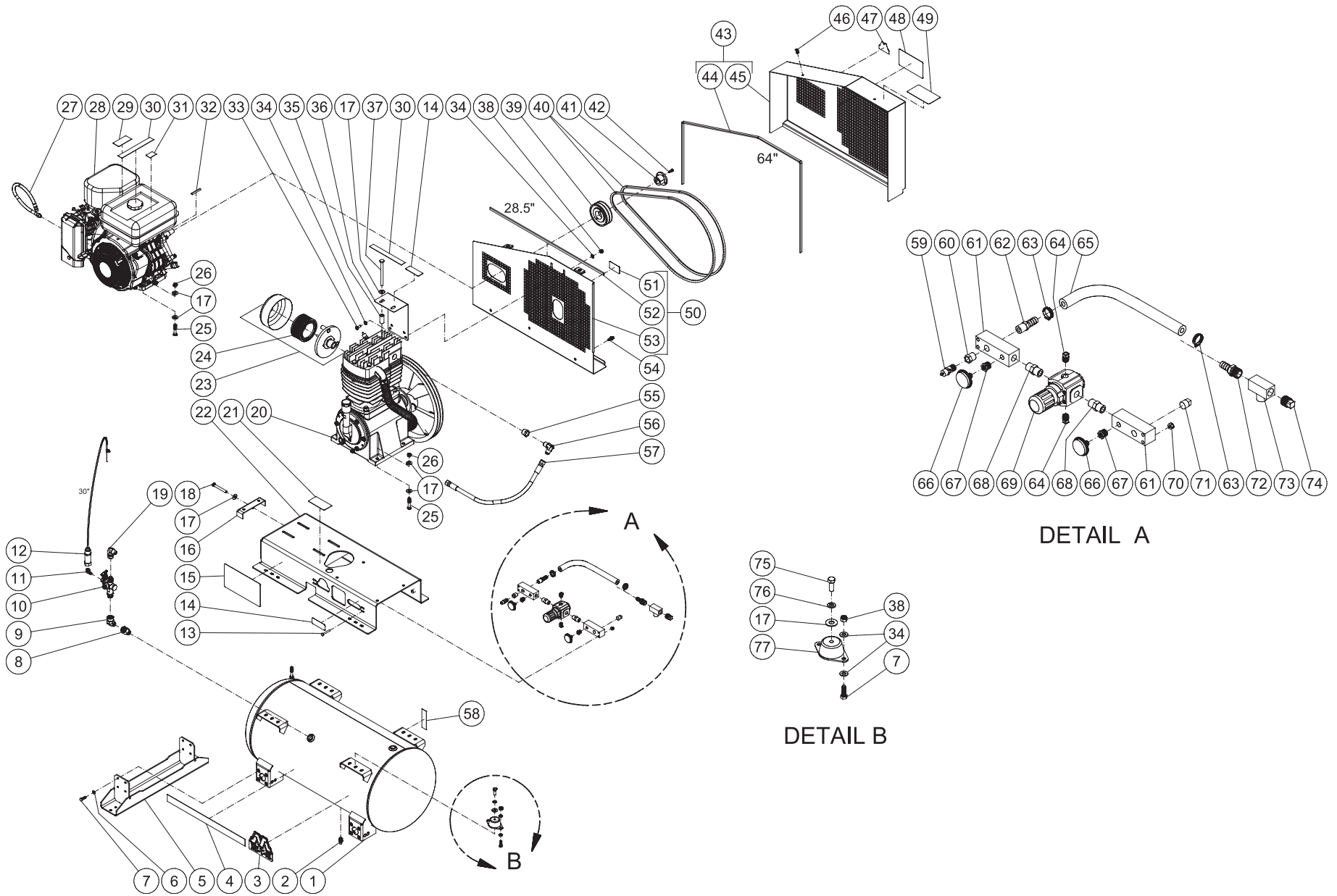


ABS 13H-30ST-030912 MLK

TANK ASSEMBLY								
ITEM	DESCRIPTION	PART #	QTY	ITEM	DESCRIPTION	PART #	QTY	
1	TANK ASSEMBLY	12-0209A01	1	37	BOLT	27-0015	2	
2	PETCOCK	23-0312	1	38	BELTGUARD FRONT ASSEMBLY (INC. 39-40)	854-0088	1	
3	DECAL - MI-T-M	N/A	1	39	EDGING *(SIX FEET REQUIRED)	33-0020	1	
4	DECAL - MI-T-M STRIPE	N/A	1	40	BELTGUARD FRONT (SEE 854-0088)	N/A	1	
5	FOOT	20-0862A01	2	41	FASTENER	33-0197	2	
6	LOCKWASHER	29-0007	16	42	DECAL - MI-T-M	N/A	1	
7	BOLT	27-0067	24	43	DECAL - MAINTENANCE INSTRUCTIONS (SEE 71-2006)	N/A	1	
8	CONNECTOR	23-0072	1	44	DECAL - OPERATING INSTRUCTIONS (SEE 71-2006)	N/A	1	
9	ELBOW	24-0041	1	45	BELTGUARD BACK ASSEMBLY (INC. 46-48)	854-0087	1	
10	DECAL - RISK OF BURNS (SEE 71-2006)	N/A	2	46	DECAL - BELTGUARD IN PLACE (SEE 71-2006)	N/A	1	
11	DECAL - CAUTION/WARNING/DANGER (SEE 71-2006)	N/A	1	47	EDGING *(THREE FEET REQUIRED)	33-0020	1	
12	TIGHTENER BRACKET	20-0650A01	1	48	BELTGUARD BACK (SEE 854-0087)	N/A	1	
13	WASHER	28-0023	23	49	BOLT	27-9524	3	
14	BOLT	27-0576	1	50	BUSHING	23-0023	1	
15	PUMP	3-0304	1	51	90° ELBOW FITTING	24-0074	1	
16	DECAL- SILVER STICKER	N/A	1	52	HOSE	15-0243	1	
17	BASEPLATE	5-0318A01	1	53	BOLT	27-0121	4	
18	FILTER CANISTER	19-0237	1	54	PRESSURE RELIEF VALVE	22-0267	1	
19	AIR FILTER	19-0226	1	55	REDUCER	23-0056	1	
20	BOLT	27-0122	4	56	TEE	23-0235	1	
21	LOCKNUT	30-0159	8	57	DECAL - TANK DRAIN (SEE 71-2006)	N/A	1	
22	OIL DRAIN HOSE	70-0358	1	58	THROTTLE CONTROL	33-0413	1	
23	ENGINE	1-0087	1	59	BOLT	-	1	
24	DECAL - MUFFLER HOT (SEE 71-2006)	N/A	1	60	THROTTLE CONTROL CLAMP	-	1	
25	DECAL - CHECK OIL	N/A	2	61	CLIP	45-0084	1	
26	DECAL - ENGINE FUEL (SEE 71-2006)	N/A	1	62	ADAPTOR	62-0126	1	
27	KEY	43-0078	1	63	NUT	23-0315	1	
28	BOLT	27-0066	2	64	TUBE SUPPORT	23-0486	2	
29	WASHER	28-0003	20	65	HOSE *(TWO FEET REQUIRED)	15-0238	1	
30	SPACER	20-1020A52	2	66	90° ELBOW FITTING	24-0272	1	
31	BELTGUARD STABILIZER	13-0192A01	1	67	ELBOW	23-0316	1	
32	BOLT	27-8074	2	68	PILOT VALVE	22-0270	1	
33	LOCKNUT	30-0157	10	69	BOLT	27-0117	4	
34	SHEAVE	10-0025	1	70	LOCKWASHER	29-0008	4	
35	BELT	11-0059	2	71	ISOLATOR	14-0109	4	
36	BUSHING	9-0005	1	-	DECAL SET	71-2006	1	

*MUST ORDER IN ONE FOOT LENGTHS

ABS-14S-30H AND ABS-14K-30H

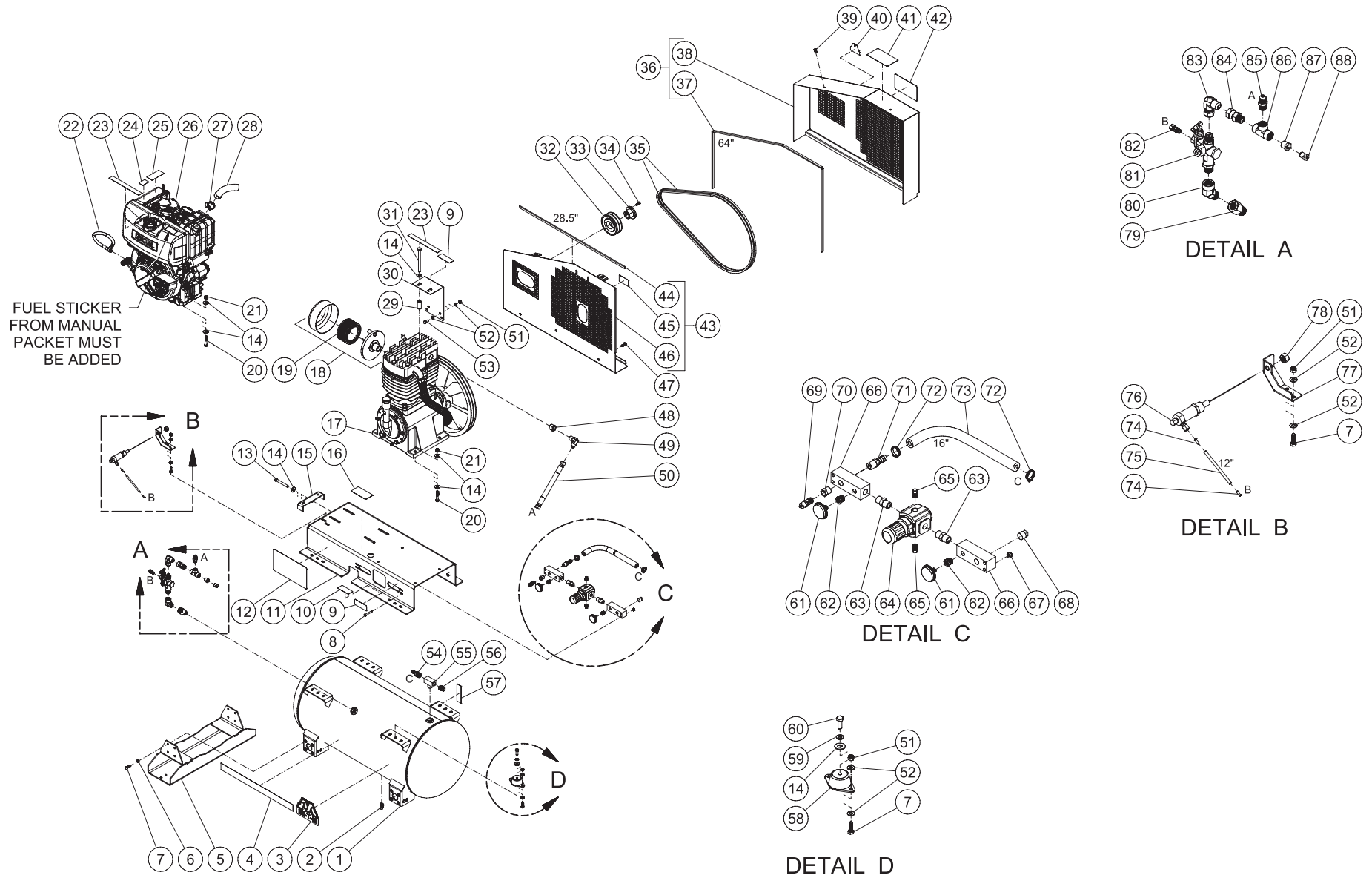


ABS-14K_S-30H 053014 ALC

TANK ASSEMBLY							
ITEM	DESCRIPTION	PART #	QTY	ITEM	DESCRIPTION	PART #	QTY
1	TANK ASSEMBLY	12-0209A01	1	40	BELT	11-0059	2
2	PETCOCK	23-0312	1	41	BUSHING	9-0005	1
3	DECAL - Mi-T-M	N/A	1	42	BOLT	27-0015	2
4	DECAL - Mi-T-M STRIPE	N/A	1	43	BELTGUARD FRONT ASSEMBLY (INC. 44-45)	854-0088	1
5	FOOT	20-0862A01	2	44	EDGING *(SIX FEET REQUIRED)	33-0020	1
6	LOCKWASHER	29-0007	16	45	BELTGUARD FRONT (SEE 854-0088)	6-0109A01	1
7	BOLT	27-0067	24	46	FASTENER	33-0197	2
8	CONNECTOR	23-0072	1	47	DECAL - Mi-T-M	N/A	1
9	ELBOW	24-0041	1	48	DECAL - MAINTENANCE INSTRUCTIONS (SEE 71-2006)	N/A	1
10	PILOT VALVE	22-0270	1	49	DECAL - OPERATING INSTRUCTIONS (SEE 71-2006)	N/A	1
11	ELBOW (14K)	23-0118	1	50	BELTGUARD BACK ASSEMBLY (INC. 51-53)	854-0087	1
12	THROTTLE CONTROL	33-0548	1	51	DECAL - BELTGUARD IN PLACE (SEE 71-2006)	N/A	1
13	BOLT	27-0019	4	52	EDGING *(THREE FEET REQUIRED)	33-0020	1
14	DECAL - RISK OF BURNS (SEE 71-2006)	N/A	2	53	BELTGUARD BACK (SEE 854-0087)	6-0108A01	1
15	DECAL - CAUTION/WARNING/DANGER (SEE 71-2006)	N/A	1	54	BOLT	27-9524	3
16	TIGHTENER BRACKET	20-0650A01	1	55	BUSHING	23-0023	1
17	WASHER	28-0023	23	56	90° ELBOW FITTING	24-0074	1
18	BOLT	27-0576	1	57	HOSE	15-0243	1
19	90° ELBOW FITTING	24-0272	1	58	BOLT	27-0121	4
20	PUMP	3-0304	1	59	DECAL - TANK DRAIN (SEE 71-2006)	34-0815	1
21	DECAL - SILVER STICKER	N/A	1	60	PRESSURE RELIEF VALVE	22-0267	1
22	BASEPLATE	5-0283A01	1	61	REDUCER	23-0017	1
23	FILTER CANISTER	19-0237	1	62	MANIFOLD BLOCK	51-0033	2
24	AIR FILTER	19-0226	1	63	HOSE BARB	23-0105	1
25	BOLT	27-0122	4	64	HOSE CLAMP	42-0011	2
26	LOCKNUT	30-0159	8	65	PLUG	24-0009	2
27	HOSE	70-0380	1	66	HOSE *(TWO FEET REQUIRED)	15-0007	1
28	ENGINE-ROBIN	1-0177	1	67	PRESSURE GAUGE	22-0271	2
-	ENGINE-KOHLER	1-0209	1	68	REDUCER	23-0111	2
29	DECAL - MUFFLER HOT (SEE 71-2006)	N/A	1	69	NIPPLE	24-0010	2
30	DECAL - CHECK OIL	N/A	2	70	REGULATOR	22-0395	1
31	DECAL - ENGINE FUEL (SEE 71-2006)	N/A	1	71	LOCKNUT	30-0155	4
32	KEY	43-0078	1	72	PLUG	24-0034	1
33	BOLT	27-0066	2	73	BARB	23-0045	1
34	WASHER	28-0003	20	74	TEE	23-0235	1
35	SPACER	20-1020A52	2	75	PLUG	39-0016	1
36	BELTGUARD STABILIZER	13-0192A01	1	76	BOLT	27-0117	4
37	BOLT	27-8074	2	77	LOCKWASHER	29-0008	4
38	LOCKNUT	30-0157	10	78	ISOLATOR	14-0109	4
39	SHEAVE	10-0025	1	-	DECAL SET - COMP GAS	71-2006	1

*MUST ORDER IN ONE FOOT LENGTHS

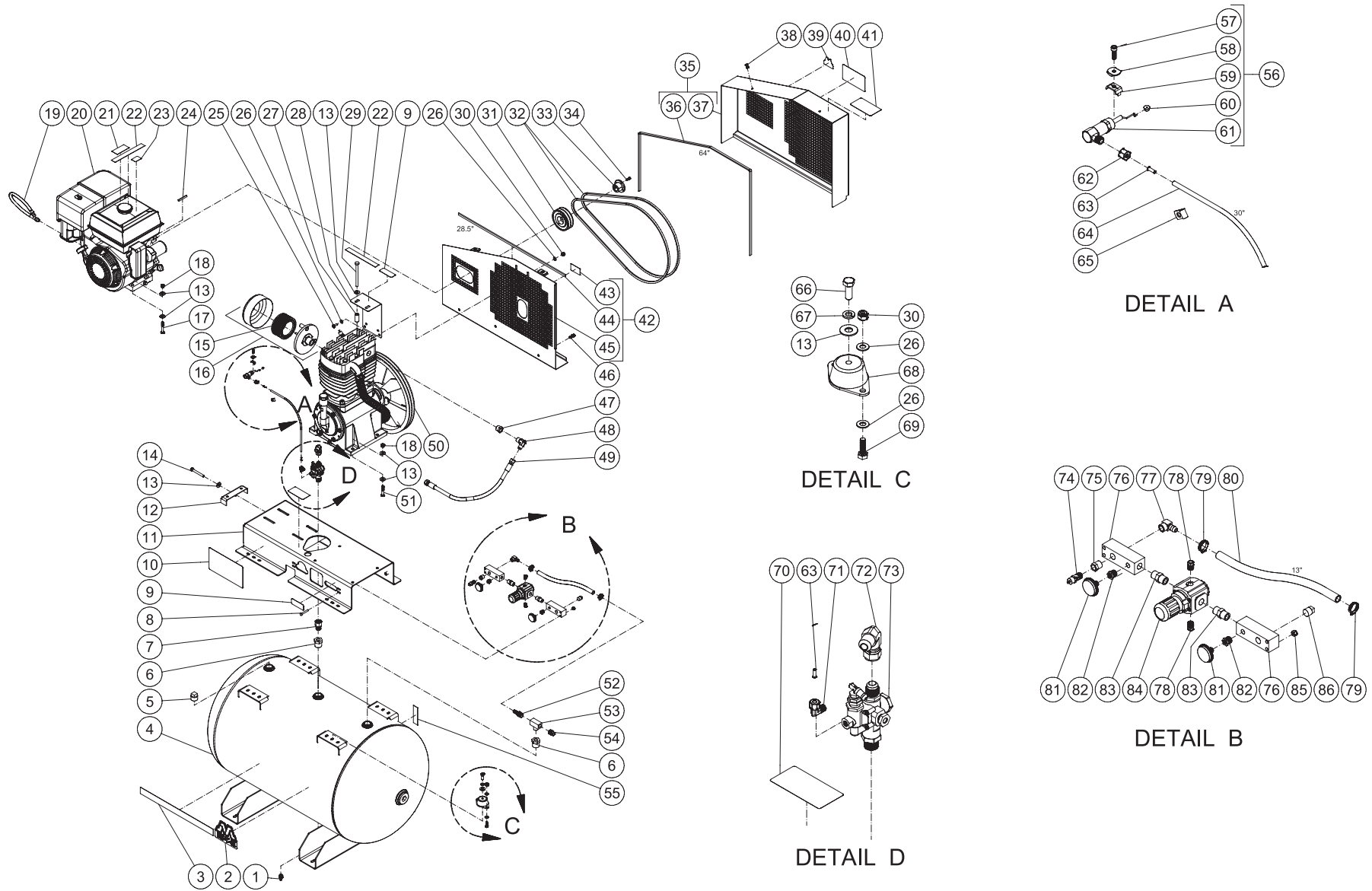
ABS-9KD-30H



ABS-9KD-30H 072116 RJA

TANK ASSEMBLY							
ITEM	DESCRIPTION	PART #	QTY	ITEM	DESCRIPTION	PART #	QTY
1	TANK ASSEMBLY	12-0209A01	1	46	BELTGUARD BACK (SEE 854-0087)	N/A	1
2	PETCOCK	23-0312	1	47	BOLT	27-9524	3
3	DECAL - MI-T-M	34-2169	1	48	BUSHING	23-0023	1
4	DECAL - MI-T-M STRIPE	34-2189	1	49	90° ELBOW FITTING	24-0074	1
5	FOOT	20-1149A01	2	50	HOSE	15-0243	1
6	LOCKWASHER	29-0007	16	51	LOCKNUT	30-0157	12
7	BOLT	27-0067	26	52	WASHER	28-0003	24
8	BOLT	27-0019	4	53	BOLT	27-0066	2
9	DECAL - RISK OF BURNS (SEE 71-2006)	N/A	2	54	BARB	23-0045	1
10	CAUTION-HEARING PROTECTION REQ	34-3479	1	55	TEE	23-0235	1
11	BASEPLATE	5-0283A01	1	56	PLUG	39-0016	1
12	DECAL - CAUTION/WARNING/DANGER (SEE 71-2006)	N/A	1	57	DECAL - TANK DRAIN (SEE 71-2006)	N/A	1
13	BOLT	27-0576	1	58	ISOLATOR	14-0109	4
14	WASHER	28-0023	23	59	LOCKWASHER	29-0008	4
15	TIGHTENER BRACKET	20-0650A01	1	60	BOLT	27-0117	4
16	DECAL- SILVER STICKER	N/A	1	61	PRESSURE GAUGE	22-0271	2
17	PUMP	3-0304	1	62	REDUCER	23-0111	2
18	FILTER CANISTER	19-0237	1	63	NIPPLE	24-0010	2
19	AIR FILTER	19-0226	1	64	REGULATOR	22-0395	1
20	BOLT	27-0121	8	65	PLUG	24-0009	2
21	LOCKNUT	30-0159	8	66	MANIFOLD BLOCK	51-0033	2
22	OIL DRAIN HOSE	70-0358	1	67	LOCKNUT	30-0155	4
23	DECAL - CHECK OIL	N/A	2	68	PLUG	24-0034	1
24	DECAL - ENGINE FUEL (SEE 71-2006)	N/A	1	69	PRESSURE RELIEF VALVE	22-0267	1
25	DECAL - MUFFLER HOT (SEE 71-2006)	N/A	1	70	REDUCER	23-0017	1
26	ENGINE	1-0237	1	71	HOSE BARB	23-0105	1
27	HOSE CLAMP	42-0018	1	72	HOSE CLAMP	42-0011	2
28	EXHAUST DIVERTER	N/A	1	73	HOSE *(TWO FEET REQUIRED)	15-0007	1
29	SPACER	20-1020A52	2	74	TUBE SUPPORT	23-0486	2
30	BELTGUARD STABILIZER	13-0192A01	1	75	HOSE *(ONE FOOT REQUIRED)	15-0238	1
31	BOLT	27-8074	2	76	THROTTLE CONTROL	33-0601	1
32	SHEAVE	10-0025	1	77	BRACKET - THROTTLE CONTROL	20-1464A01	1
33	BUSHING	9-0005	1	78	NUT	30-0163	1
34	BOLT	27-0015	2	79	CONNECTOR	23-0072	1
35	BELT	11-0059	2	80	ELBOW	24-0041	1
36	BELTGUARD FRONT ASSEMBLY (INC. 37-38)	854-0088	1	81	PILOT VALVE	22-0270	1
37	EDGING *(SIX FEET REQUIRED)	33-0020	1	82	ADAPTER	23-0328	1
38	BELTGUARD FRONT (SEE 854-2006)	N/A	1	83	90° ELBOW FITTING	24-0272	1
39	FASTENER	33-0197	2	84	SWIVEL	24-0037	1
40	DECAL - MI-T-M	34-2167	1	85	NIPPLE	24-0002	1
41	DECAL - OPERATING INSTRUCTIONS (SEE 71-2006)	N/A	1	86	TEE	24-0026	1
42	DECAL - MAINTENANCE INSTRUCTIONS (SEE 71-2006)	N/A	1	87	BUSHING	24-0181	1
43	BELTGUARD BACK ASSEMBLY (INC. 44-46)	854-0087	1	88	EASY START VALVE	22-0504	1
44	EDGING *(THREE FEET REQUIRED)	33-0020	1	-	DECAL SET	71-2006	1
45	DECAL - BELTGUARD IN PLACE (SEE 71-2006)	N/A	1	*MUST ORDER IN ONE FOOT LENGTHS			

ABS-13H-80H

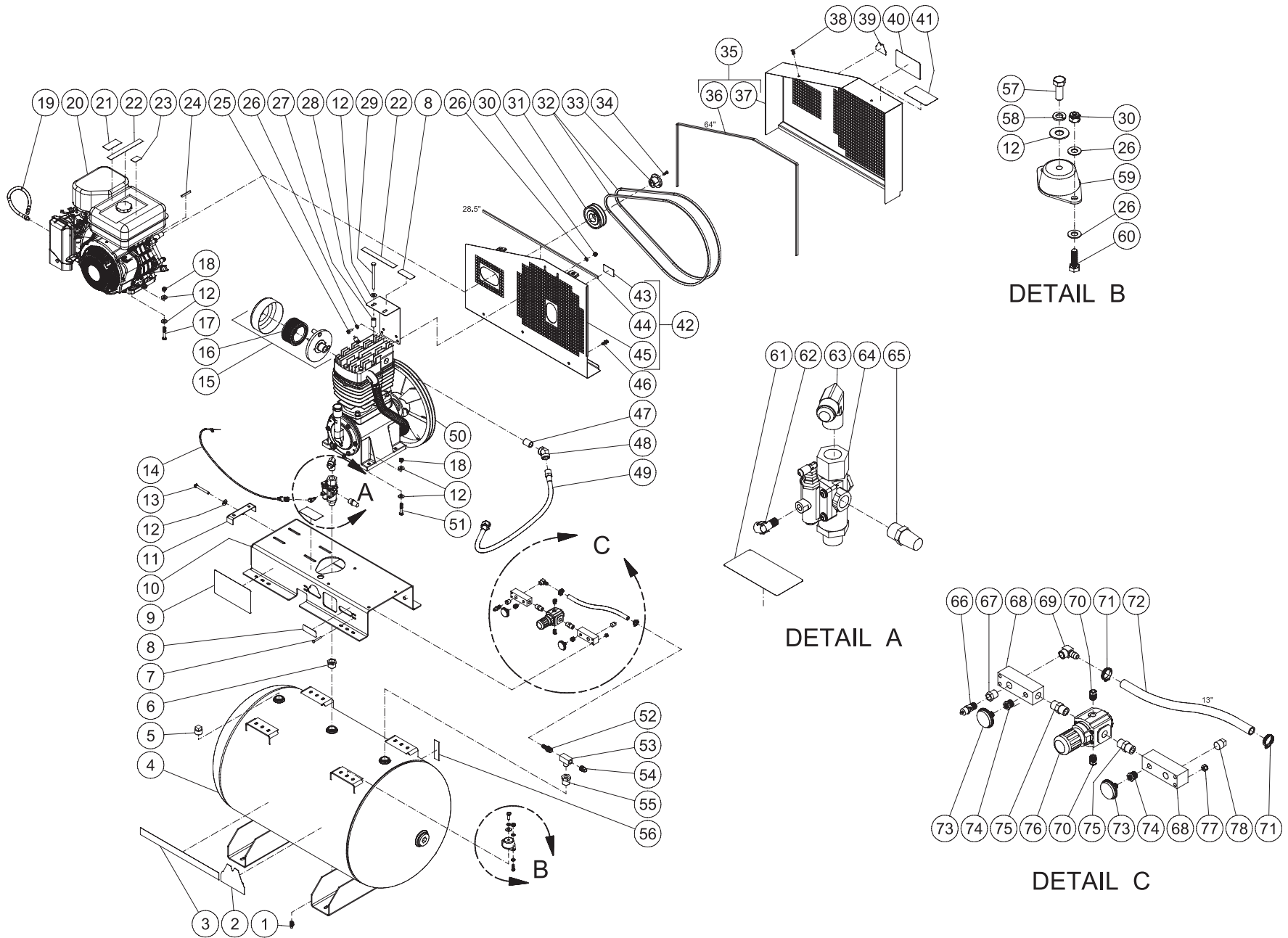


ABS 13H-80H 041812-MLK

TANK ASSEMBLY							
ITEM	DESCRIPTION	Mi-T-M #	QTY	ITEM	DESCRIPTION	Mi-T-M #	QTY
1	PETCOCK	23-0312	1	45	BELTGUARD BACK (SEE 854-0087)	6-0108A01	1
2	DECAL - Mi-T-M	34-2169	1	46	BOLT	27-9524	3
3	DECAL - Mi-T-M STRIPE	34-2189	1	47	REDUCER	23-0023	1
4	TANK ASSEMBLY	12-0208A01	1	48	ELBOW	24-0074	1
5	PLUG	24-0219	1	49	HOSE	15-0243	1
6	REDUCER	23-0226	2	50	PUMP	3-0304	1
7	ADAPTER	23-0072	1	51	BOLT	27-0121	4
8	BOLT	27-0019	4	52	BARB	23-0045	1
9	DECAL - RISK OF BURNS (SEE 71-0086)	N/A	2	53	TEE	23-0235	1
10	DECAL - CAUTION/WARNING/DANGER (SEE 71-0086)	N/A	1	54	PLUG	39-0016	1
11	BASEPLATE	5-0283A01	1	55	DECAL - TANK DRAIN (SEE 71-0086)	N/A	1
12	TIGHTENER BRACKET	20-0650A01	1	56	THROTTLE CONTROL	33-0413	1
13	WASHER	28-0023	23	57	BOLT	-	1
14	BOLT	27-0576	1	58	THROTTLE CONTROL CLAMP	-	1
15	AIR FILTER	19-0226	1	59	CLIP	45-0084	1
16	FILTER CANISTER	19-0237	1	60	ADAPTOR	62-0126	1
17	BOLT	27-0122	4	61	THROTTLE CONTROL BODY	-	1
18	LOCKNUT	30-0159	8	65	THROTTLE CLIP	-	1
19	OIL DRAIN HOSE	70-0358	1	64	HOSE *(TWO FEET REQUIRED)	15-0238	1
20	ENGINE	1-0087	1	63	TUBE SUPPORT	23-0486	2
21	DECAL - MUFFLER HOT (SEE 71-0086)	N/A	1	62	NUT	23-0315	1
22	DECAL - CHECK OIL (SEE 71-0086)	N/A	2	66	BOLT	27-0117	4
23	DECAL - ENGINE FUEL (SEE 71-0086)	N/A	1	67	LOCKWASHER	29-0008	4
24	KEY	43-0078	1	68	ISOLATOR	14-0109	4
25	BOLT	27-0066	2	69	BOLT	27-0067	8
26	WASHER	28-0003	20	70	DECAL- SILVER STICKER	N/A	1
27	SPACER	20-1020A52	2	71	ELBOW	23-0316	1
28	BELTGUARD STABILIZER	13-0192A01	1	72	ELBOW	24-0272	1
29	BOLT	27-8074	2	73	PILOT VALVE	22-0270	1
30	LOCKNUT	30-0157	10	74	PRESSURE RELIEF VALVE	22-0267	1
31	SHEAVE	10-0025	1	75	REDUCER	23-0017	1
32	BELT	11-0059	2	76	MANIFOLD BLOCK	51-0033	2
33	BUSHING	9-0005	1	77	ELBOW	23-0050	1
34	BOLT	27-0015	2	78	PLUG	24-0009	2
35	BELTGUARD FRONT ASSEMBLY (INC. 36-37)	854-0088	1	79	HOSE CLAMP	42-0011	2
36	EDGING *(SIX FEET REQUIRED)	33-0020	1	80	HOSE *(TWO FEET REQUIRED)	15-0007	1
37	BELTGUARD FRONT (SEE 854-0088)	6-0109A01	1	81	PRESSURE GAUGE	22-0271	2
38	FASTENER	33-0197	2	82	REDUCER	23-0111	2
39	DECAL - Mi-T-M	34-2167	1	83	NIPPLE	24-0010	2
40	DECAL - MAINTENANCE INSTRUCTIONS (SEE 71-0086)	N/A	1	84	REGULATOR	22-0395	1
41	DECAL - OPERATING INSTRUCTIONS (SEE 71-0086)	N/A	1	85	LOCKNUT	30-0155	4
42	BELTGUARD BACK ASSEMBLY (INC. 43-45)	854-0087	1	86	PLUG	24-0034	1
43	DECAL - BELTGUARD IN PLACE (SEE 71-0086)	34-0575	1	-	DECAL SET	71-0086	1
44	EDGING *(THREE FEET REQUIRED)	33-0020	1				

*MUST ORDER IN ONE FOOT LENGTHS

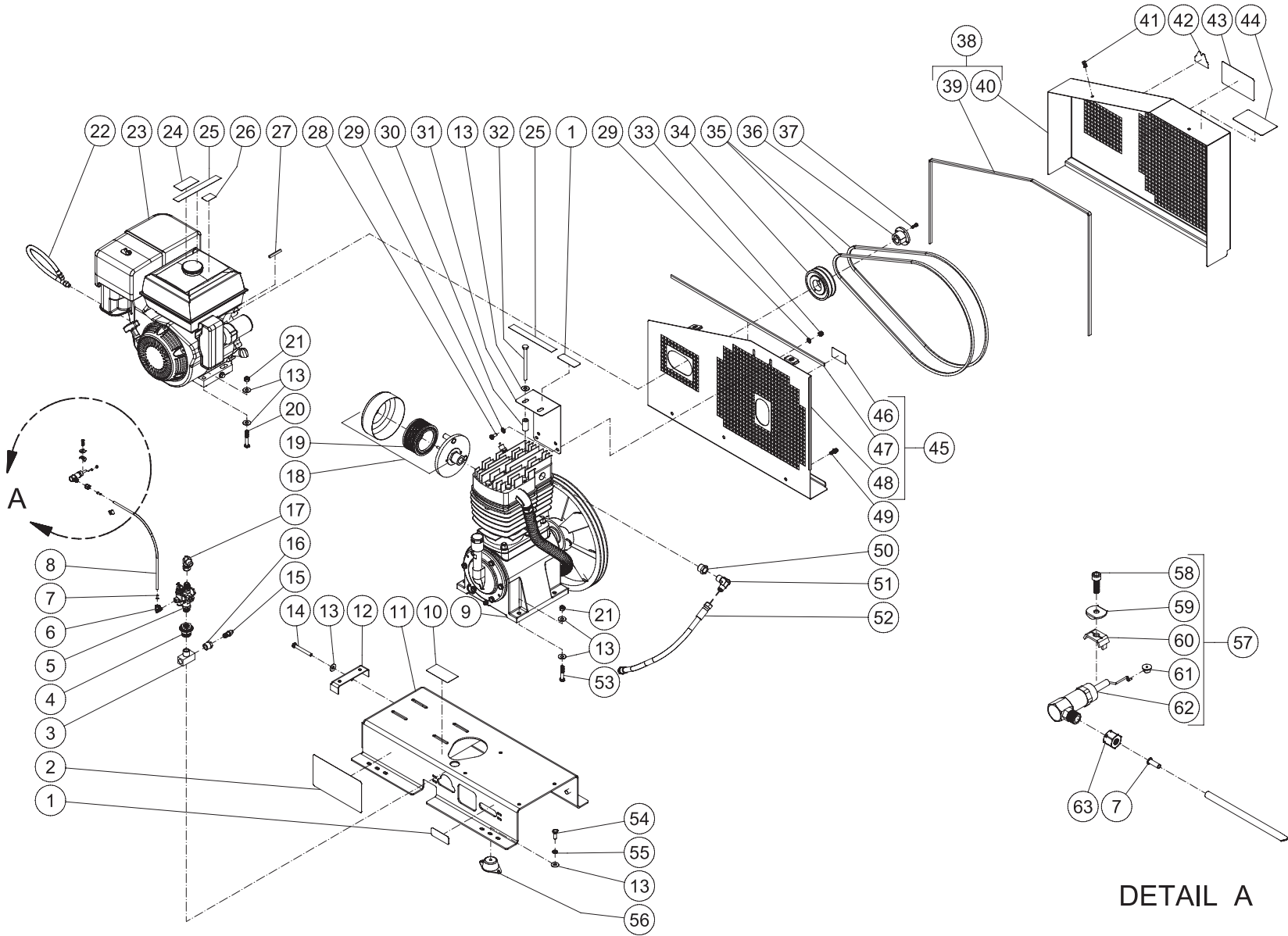
ABS-14S-80H



ABS-14S-80H 092311

TANK ASSEMBLY							
ITEM	DESCRIPTION	PART #	QTY	ITEM	DESCRIPTION	PART #	QTY
1	PETCOCK	23-0312	1	41	DECAL - OPERATING INSTRUCTIONS (SEE 71-0086)	N/A	1
2	DECAL - Mi-T-M	34-2169	1	42	BELTGUARD BACK ASSEMBLY (INC. 43-45)	854-0087	1
3	DECAL - Mi-T-M STRIPE	34-2189	1	43	DECAL - BELTGUARD IN PLACE (SEE 71-0086)	N/A	1
4	TANK ASSEMBLY	12-0208A01	1	44	EDGING *(THREE FEET REQUIRED)	33-0020	1
5	PLUG	24-0219	1	45	BELTGUARD BACK (SEE 854-0087)	6-0108A01	1
6	REDUCER	23-0473	1	46	BOLT	27-9524	3
7	BOLT	27-0019	4	47	NIPPLE	24-0095	1
8	DECAL - RISK OF BURNS (SEE 71-0086)	N/A	2	48	ELBOW	24-0284	1
9	DECAL - CAUTION/WARNING/DANGER (SEE 71-0086)	N/A	1	49	HOSE	15-0278	1
10	BASEPLATE	5-0283A01	1	50	PUMP	3-0304	1
11	TIGHTENER BRACKET	20-0650A01	1	51	BOLT	27-0121	4
12	WASHER	28-0023	23	52	BARB	23-0045	1
13	BOLT	27-0576	1	53	TEE	23-0235	1
14	THROTTLE CONTROL	33-0407	1	54	PLUG	39-0016	1
15	FILTER CANISTER	19-0237	1	55	REDUCER	23-0226	1
16	AIR FILTER	19-0226	1	56	DECAL - TANK DRAIN (SEE 71-0086)	N/A	1
17	BOLT	27-0122	4	57	BOLT	27-0117	4
18	LOCKNUT	30-0159	8	58	LOCKWASHER	29-0008	4
19	HOSE	70-0380	1	59	ISOLATOR	14-0109	4
20	ENGINE	1-0177	1	60	BOLT	27-0067	8
21	DECAL - MUFFLER HOT (SEE 71-0086)	N/A	1	61	DECAL- SILVER STICKER	N/A	1
22	DECAL - CHECK OIL (SEE 71-0086)	N/A	2	62	ELBOW	23-0118	1
23	DECAL - ENGINE FUEL (SEE 71-0086)	N/A	1	63	ELBOW	24-0285	1
24	KEY	43-0078	1	64	PILOT VALVE	22-0394	1
25	BOLT	27-0066	2	65	MUFFLER	24-0286	1
26	WASHER	28-0003	20	66	PRESSURE RELIEF VALVE	22-0267	1
27	SPACER	20-1020A52	2	67	REDUCER	23-0017	1
28	BELTGUARD STABILIZER	13-0192A01	1	68	MANIFOLD BLOCK	51-0033	2
29	BOLT	27-8074	2	69	ELBOW	23-0050	1
30	LOCKNUT	30-0157	10	70	PLUG	24-0009	2
31	SHEAVE	10-0025	1	71	HOSE CLAMP	42-0011	2
32	BELT	11-0059	2	72	HOSE *(TWO FEET REQUIRED)	15-0007	1
33	BUSHING	9-0005	1	73	PRESSURE GAUGE	22-0271	2
34	BOLT	27-0015	2	74	REDUCER	23-0111	2
35	BELTGUARD FRONT ASSEMBLY (INC. 36-37)	854-0088	1	75	NIPPLE	24-0010	2
36	EDGING *(SIX FEET REQUIRED)	33-0020	1	76	REGULATOR	22-0395	1
37	BELTGUARD FRONT (SEE 854-0088)	6-0109A01	1	77	LOCKNUT	30-0155	4
38	FASTENER	33-0197	2	78	PLUG	24-0034	1
39	DECAL - Mi-T-M	34-2167	1	-	DECAL SET	71-0086	1
40	DECAL - MAINTENANCE INSTRUCTIONS (SEE 71-0086)	N/A	1	*MUST ORDER IN ONE FOOT LENGTHS			

ABS-13H-B

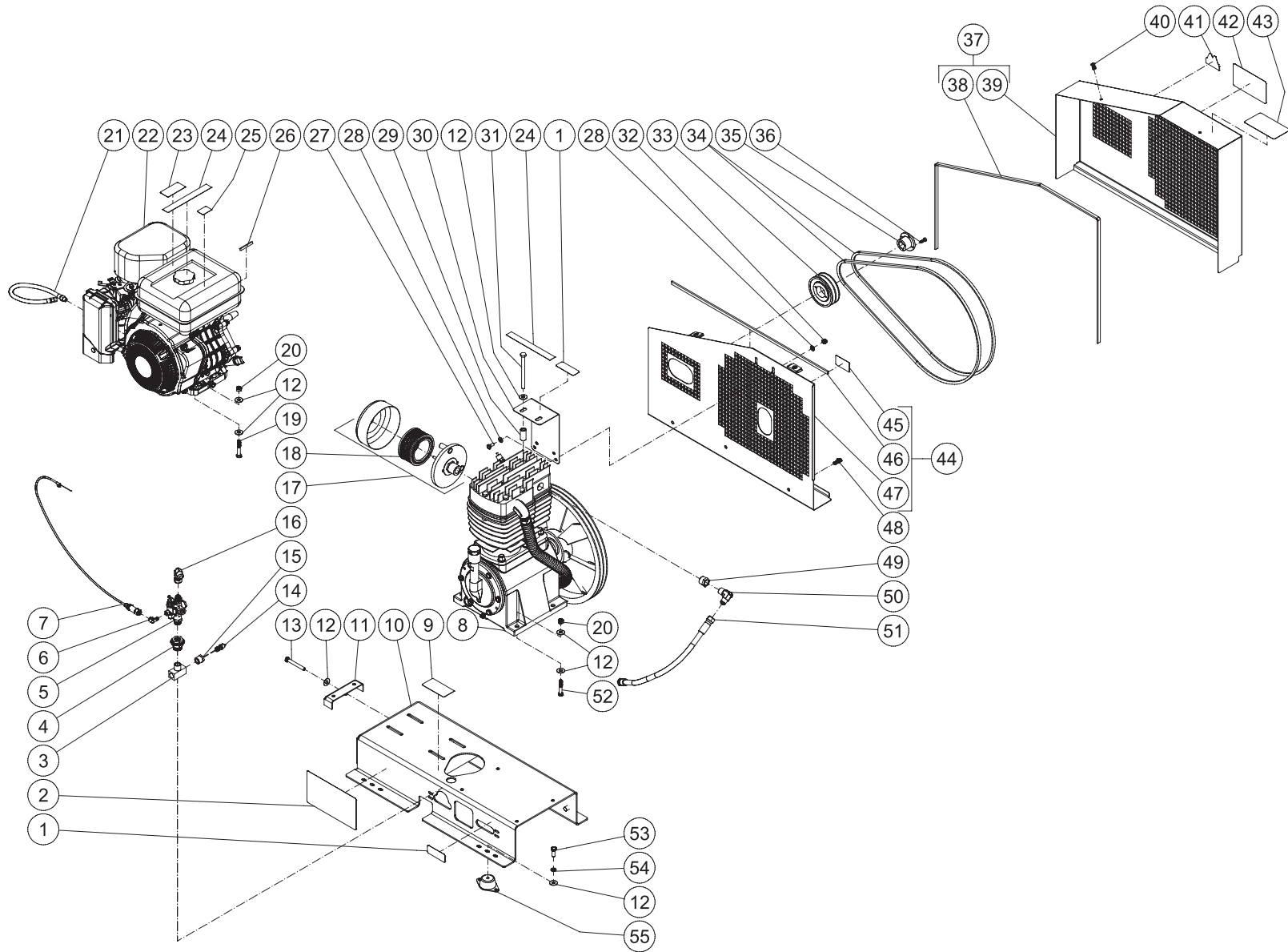


ABS 13H-B 101911-PJH

TANK ASSEMBLY

ITEM	DESCRIPTION	PART #	QTY	ITEM	DESCRIPTION	PART #	QTY
1	DECAL - RISK OF BURNS (SEE 71-0086)	N/A	2	33	LOCKNUT	30-0157	2
2	DECAL - CAUTION/WARNING/DANGER (SEE 71-0086)	N/A	1	34	SHEAVE	10-0025	1
3	TEE	23-0235	1	35	BELT	11-0059	2
4	ADAPTER	23-0365	1	36	BUSHING	9-0005	1
5	PILOT VALVE	22-0270	1	37	BOLT	27-0015	2
6	ELBOW	23-0316	1	38	BELTGUARD FRONT ASSEMBLY (INC. 39-40)	854-0088	1
7	TUBE SUPPORT	23-0486	2	39	EDGING *(SIX FEET REQUIRED)	33-0020	1
8	HOSE *(TWO FEET REQUIRED)	15-0238	1	40	BELTGUARD FRONT (SEE 854-0088)	N/A	1
9	PUMP	3-0304	1	41	FASTENER	33-0197	2
10	DECAL- SILVER STICKER	N/A	1	42	DECAL - Mi-T-M	34-2167	1
11	BASEPLATE	5-0283A01	1	43	DECAL - MAINTENANCE INSTRUCTIONS (SEE 71-0086)	N/A	1
12	TIGHTENER BRACKET	20-0650A01	1	44	DECAL - OPERATING INSTRUCTIONS (SEE 71-0086)	N/A	1
13	WASHER	28-0023	23	45	BELTGUARD BACK ASSEMBLY (INC. 46-48)	854-0087	1
14	BOLT	27-0576	1	46	DECAL - BELTGUARD IN PLACE (SEE 71-0086)	N/A	1
15	PRESSURE RELIEF VALVE	22-0267	1	47	EDGING *(THREE FEET REQUIRED)	33-0020	1
16	REDUCER	23-0056	1	48	BELTGUARD BACK (SEE 854-0087)	N/A	1
17	ELBOW	24-0272	1	49	BOLT	27-9524	3
18	FILTER CANISTER	19-0237	1	50	REDUCER	23-0023	1
19	AIR FILTER	19-0226	1	51	ELBOW	24-0074	1
20	BOLT	27-0122	4	52	HOSE	15-0243	1
21	LOCKNUT	30-0159	8	53	BOLT	27-0121	4
22	OIL DRAIN HOSE	70-0358	1	54	BOLT	27-0117	4
23	ENGINE	1-0087	1	55	LOCKWASHER	29-0008	4
24	DECAL - MUFFLER HOT (SEE 71-0086)	N/A	1	56	ISOLATOR	14-0109	4
25	DECAL - CHECK OIL (SEE 71-0086)	N/A	2	57	THROTTLE CONTROL	33-0413	1
26	DECAL - ENGINE FUEL (SEE 71-0086)	N/A	1	58	BOLT	-	1
27	KEY	43-0078	1	59	THROTTLE CONTROL CLAMP	-	1
28	BOLT	27-0066	2	60	CLIP	45-0084	1
29	WASHER	28-0003	4	61	ADAPTOR	62-0126	1
30	SPACER	20-1020A52	2	62	THROTTLE CONTROL BODY	33-0413	1
31	BELTGUARD STABILIZER	13-0192A01	1	63	NUT	23-0315	1
32	BOLT	27-8074	2	-	DECAL SET	71-0086	1

ABS-14S-B



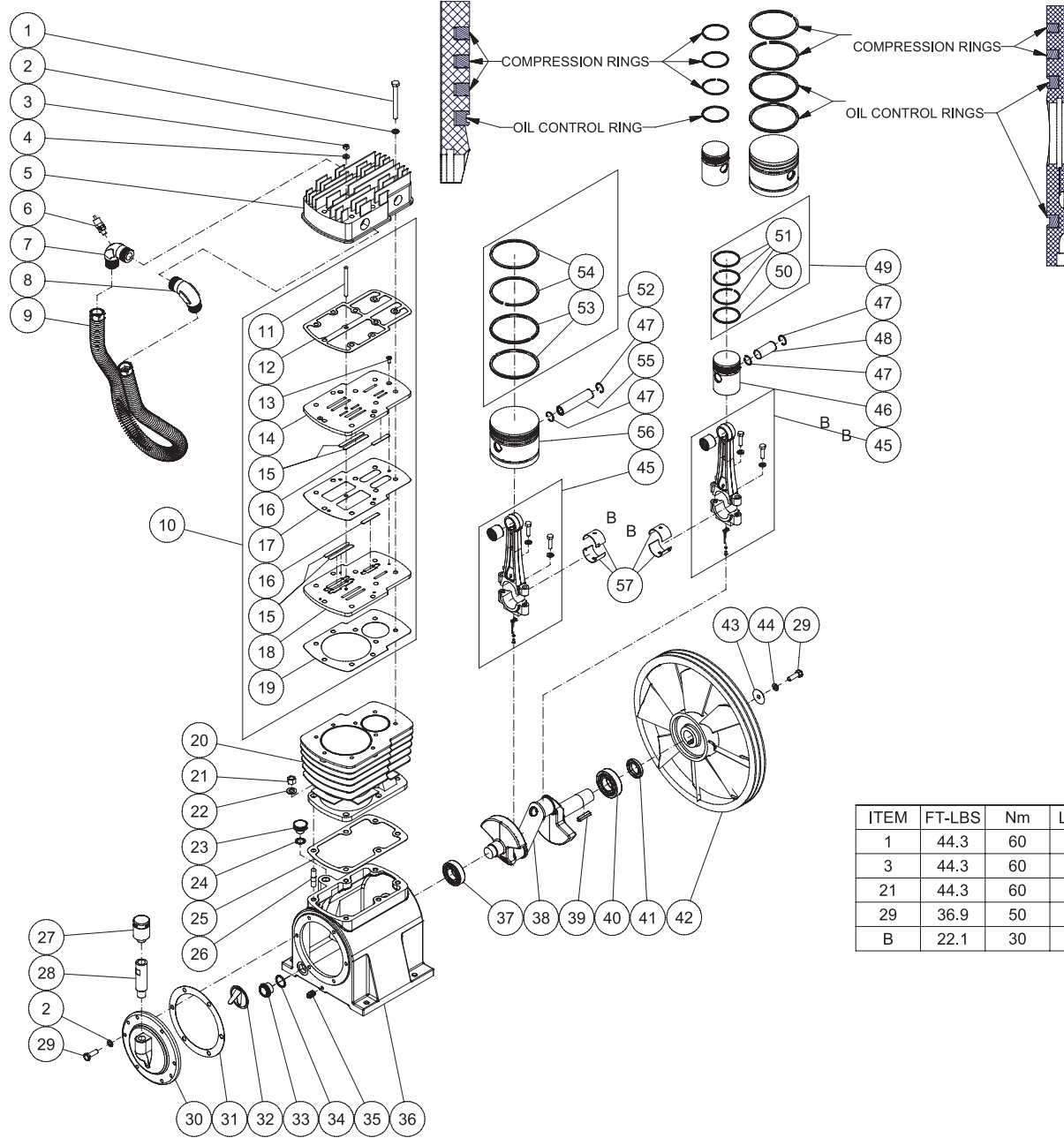
ABS 14S-B 102111-PJH

FRAME ASSEMBLY

ITEM	DESCRIPTION	Mi-T-M #	QTY	ITEM	DESCRIPTION	Mi-T-M #	QTY
1	DECAL - RISK OF BURNS (SEE 71-0086)	N/A	2	29	SPACER	20-1020A52	2
2	DECAL - CAUTION/WARNING/DANGER (SEE 71-0086)	N/A	1	30	BELTGUARD STABILIZER	13-0192A01	1
3	TEE	23-0235	1	31	BOLT	27-8074	2
4	ADAPTER	23-0365	1	32	LOCKNUT	30-0157	2
5	PILOT VALVE	22-0270	1	33	SHEAVE	10-0025	1
6	ELBOW	23-0118	1	34	BELT	11-0059	2
7	THROTTLE CONTROL	33-0407	1	35	BUSHING	9-0005	1
8	PUMP	3-0304	1	36	BOLT	27-0015	2
9	DECAL - SILVER STICKER	N/A	1	37	BELTGUARD FRONT ASSEMBLY (INC. 38-39)	854-0088	1
10	BASEPLATE	5-0283A01	1	38	EDGING *(SIX FEET REQUIRED)	33-0020	1
11	TIGHTENER BRACKET	20-0650A01	1	39	BELTGUARD FRONT (SEE 854-0088)	6-0109A01	1
13	BOLT	27-0576	1	40	FASTENER	33-0197	2
14	PRESSURE RELIEF VALVE	22-0267	1	41	DECAL - MI-T-M	34-2167	1
15	REDUCER	23-0056	1	42	DECAL - MAINTENANCE INSTRUCTIONS (SEE 71-0086)	N/A	1
16	ELBOW	24-0272	1	43	DECAL - OPERATING INSTRUCTIONS (SEE 71-0086)	N/A	1
17	FILTER CANISTER	19-0237	1	44	BELTGUARD BACK ASSEMBLY (INC. 45-47)	854-0087	1
18	AIR FILTER	19-0226	1	45	DECAL - BELTGUARD IN PLACE (SEE 71-0086)	N/A	1
19	BOLT	27-0122	4	46	EDGING *(THREE FEET REQUIRED)	33-0020	1
12	WASHER	28-0023	23	47	BELTGUARD BACK (SEE 854-0087)	6-0108A01	1
20	LOCKNUT	30-0159	8	48	BOLT	27-9524	3
21	HOSE	70-0380	1	49	REDUCER	23-0023	1
22	ENGINE	1-0177	1	50	ELBOW	24-0074	1
23	DECAL - MUFFLER HOT (SEE 71-0086)	N/A	1	51	HOSE	15-0243	1
24	DECAL - CHECK OIL (SEE 71-0086)	N/A	2	52	BOLT	27-0121	4
25	DECAL - ENGINE FUEL (SEE 71-0086)	N/A	1	53	BOLT	27-0117	4
26	KEY	43-0078	1	54	LOCKWASHER	29-0008	4
27	BOLT	27-0066	2	55	ISOLATOR	14-0109	4
28	WASHER	28-0003	4	-	DECAL SET	71-0086	1

*MUST ORDER IN ONE FOOT LENGTHS

COMPRESSOR PUMP (3-0304)



ITEM	FT-LBS	Nm	LOCKTITE
1	44.3	60	-
3	44.3	60	-
21	44.3	60	-
29	36.9	50	-
B	22.1	30	-

3-0304 080312 RSW

PUMP ASSEMBLY

ITEM	DESCRIPTION	PART #	QTY	ITEM	DESCRIPTION	PART #	QTY
1	BOLT	27-8072	9	30	REAR CRANKCASE COVER	46-1278	1
2	COPPER WASHER	28-1059	15	31	GASKET	N/A	1
3	NUT	30-0058	1	32	OBSTRUCT OIL NET	46-1279	1
4	WASHER	28-1011	1	33	OIL LEVEL SIGHT GLASS	46-1280	1
5	PUMP HEAD	46-1318	1	34	O-RING	25-0150	1
6	LP SAFETY VALVE	22-0362	1	35	PLUG	24-0009	1
7	OUTLET ELBOW W/PORT	24-0310	1	36	PUMP CRANKCASE	46-1321	1
8	OUTLET ELBOW	24-0311	1	37	BALL BEARING	48-0024	1
9	INTERCOOLER TUBE	46-1319	1	38	PUMP CRANKSHAFT	46-1322	1
10	VALVE PLATE GASKETS/REEDS (Inc. 11-19)	70-0505	1	39	KEY	43-0125	1
11	STUD	N/A	1	40	BALL BEARING	48-0014	1
12	GASKET	N/A	1	41	OIL SEAL	N/A	1
13	SCREW	N/A	4	42	FLYWHEEL	10-0141	1
14	UPPER VALVE PLATE	N/A	1	43	WASHER	N/A	1
15	LP REED VALVE	N/A	4	44	LOCKWASHER	29-0055	1
16	HP REED VALVE	N/A	2	45	KIT - CONNECTING ROD ASSY	70-0506	2
17	GASKET	N/A	1	46	HP PISTON	46-1323	1
18	LOWER VALVE PLATE	N/A	1	47	PISTON PIN SNAP RING	46-1324	4
19	GASKET	N/A	1	48	HP PISTON PIN	46-1325	1
20	CYLINDER	46-1320	1	49	KIT - HP PISTON RINGS	70-0507	1
21	HEX NUT	N/A	6	50	OIL RING	N/A	1
22	LOCKWASHER	N/A	6	51	COMPRESSION RING	N/A	3
23	OIL FILL CAP	46-1281	1	52	KIT - LP PISTON RINGS	70-0508	1
24	O-RING	25-0160	1	53	OIL RING	N/A	2
25	GASKET	N/A	1	54	COMPRESSION RING	N/A	2
26	STUD	N/A	6	55	LP PISTON PIN	46-1326	1
27	BREATHER ASSY	46-1276	1	56	LP PISTON	46-1327	1
28	BREATHER PIPE	46-1277	1	57	CONNECTING ROD BUSHING	46-1328	4
29	BOLT	N/A	7	-	KIT - PUMP GASKETS (Inc. 12, 17, 19, 25, 31)	70-0509	1

Manufactured by Mi-T-M
50 MI-T-M Drive, Peosta IA 52068
563-556-7484/ Fax 563-556-1235