



**PARTS LIST FOR**  
***WCP-20-0M10***  
**(AFTER SERIAL #30000625)**  
**WATER RECYCLING TREATMENT SYSTEM**

Congratulations on the purchase of your new Mi-T-M water treatment system! This parts listing has been compiled for your benefit. You can be assured your Mi-T-M water treatment system was constructed and designed with quality and performance in mind. Each component has been rigorously tested to insure the highest level of acceptance.

The contents of this parts listing are based on the latest product information available at the time of publication. Mi-T-M reserves the right to make changes in price, color, materials, equipment, specifications or models at any time without notice.

### **WARNING**

THIS IS A PROFESSIONAL WATER TREATMENT SYSTEM. CAUTION SHOULD BE OBSERVED WHEN USING OR REPAIRING THIS UNIT! READ AND FOLLOW THE SAFETY WARNINGS LISTED BELOW BEFORE ATTEMPTING ANY REPAIRS ON THIS WATER TREATMENT SYSTEM!

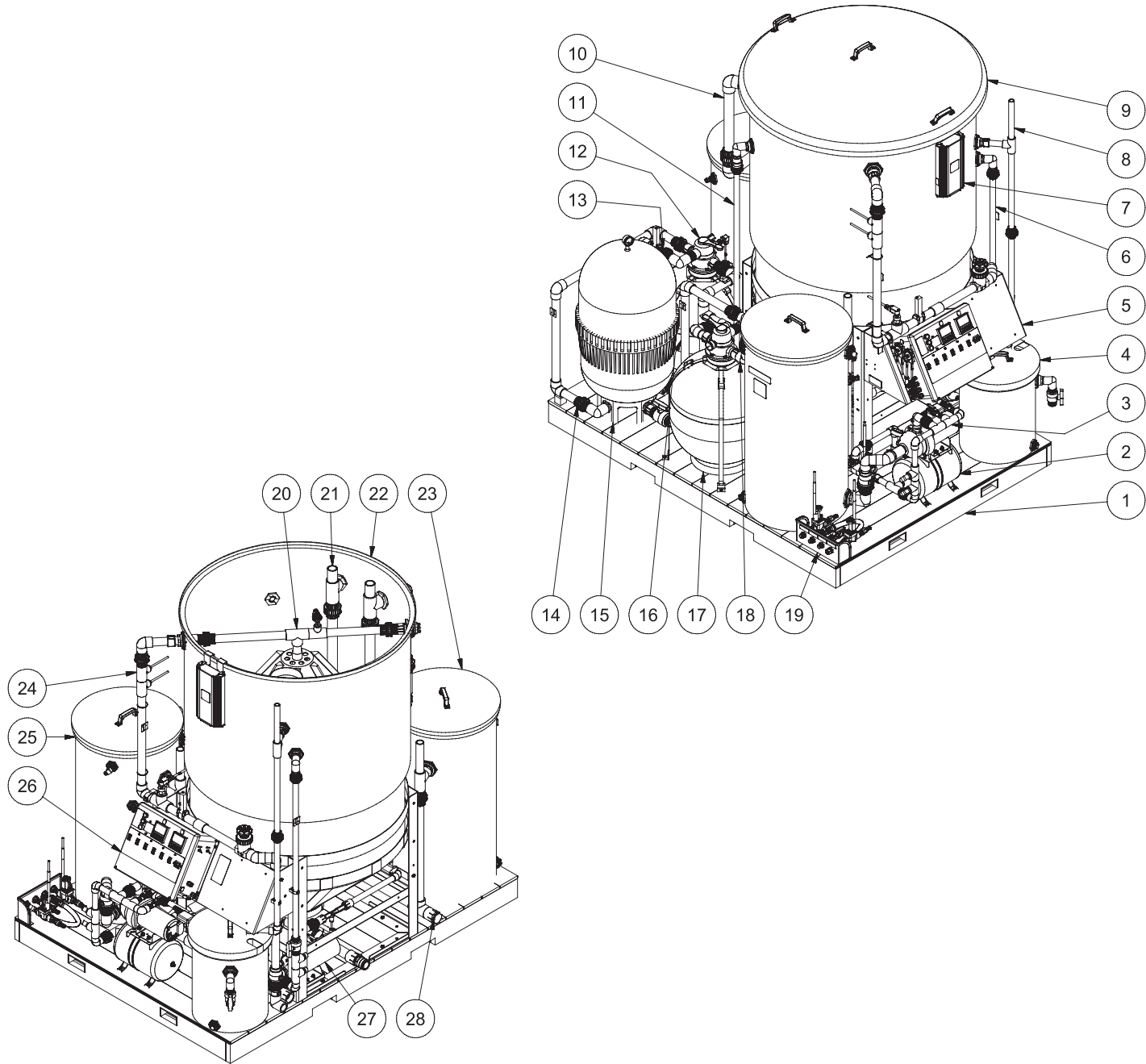
### **SAFETY WARNINGS**

1. Serious injury or death could occur if the water treatment system is not properly grounded. Your water treatment system is powered by electricity and may cause electric shock or electrocution if not installed properly. Installation to this unit, including all electrical connections, must comply with all local, state and national codes. Any electrical wiring or repairs performed on this water treatment system should be done by Authorized Service Personnel in accordance with National and Local electrical codes.
2. NEVER alter or modify the equipment. Use only genuine Mi-T-M parts for repair of your water treatment system. Failure to do so can cause hazardous operating conditions and will VOID warranty.
3. Know how to stop and bleed pressures quickly. Be thoroughly familiar with controls. Do not operate without protective cover/guards. Follow the maintenance instructions specified in your operator's manual.
4. Before servicing, ALWAYS shut off the water and the unit. Allow the unit to cool down. NEVER assume the water treatment system is safe to work on just because it is not operating. It could restart at any time! ALWAYS disconnect from the power source. Service in a clean, dry flat area.
5. Be especially careful it properly dispose of any flammable materials. Consult Materials Safety Data Sheets for safe handling of chemicals used with your system, especially oxidizers and acids.

## Table of Contents

MAIN ASSEMBLY .....	4
TANK STAND ASSEMBLY .....	6
PLUMBING: INLET ASSEMBLY .....	8
CLARIFIER TANK ASSEMBLY .....	10
CLARIFIER LID ASSEMBLY .....	14
PLUMBING: OZONE PUMP INLET ASSEMBLY .....	15
OZONE PUMP ASSEMBLY .....	16
OZONE PUMP (3-0199).....	17
PLUMBING: OZONE PUMP OUTLET ASSEMBLY .....	18
PLUMBING: OIL DECANTER ASSEMBLY (AFTER SERIAL #30000122) .....	19
OUTLET RING ASSEMBLY (AFTER SERIAL #30000122) .....	20
PLUMBING: CLARIFIER TANK OUTLET ASSEMBLY (AFTER SERIAL #30000122).....	22
HOLDING TANK ASSEMBLY .....	23
FILTER PUMP ASSEMBLY .....	24
FILTER PUMP (3-0179) .....	26
MULTI-MEDIA FILTER ASSEMBLY .....	27
FILTER (19-0503).....	28
PLUMBING: MULTI-MEDIA TO CARTRIDGE FILTER .....	29
CARTRIDGE FILTER (19-0601) .....	30
PLUMBING: CARTRIDGE FILTER TO POLISHING FILTER .....	32
POLISHING FILTER ASSEMBLY .....	34
PLUMBING: POLISHING FILTER TO PRODUCT TANK.....	35
PRODUCT TANK ASSEMBLY.....	36
TRANSFER PUMP ASSEMBLY (AFTER SERIAL #3000625).....	38
TRANSFER PUMP (3-0181) .....	40
PLUMBING: TRANSFER PUMP MANIFOLD (AFTER SERIAL #30000625).....	42
HOSE ASSEMBLIES .....	44
MANIFOLD ASSEMBLY .....	46
OIL DECANTER ASSEMBLY (AFTER SERIAL #30000122).....	48
PLUMBING: DRAIN LINE ASSEMBLY (AFTER SERIAL #30000625).....	50
PH/ORP PUMP (3-0182).....	52
OZONE GENERATOR ASSEMBLY.....	53
CONTROL PANEL - LID.....	54
CONTROL PANEL - BASE (AFTER SERIAL #30000151) .....	56
SLUDGE BOX ASSEMBLY (855-0017).....	58
SUMP PIT ASSEMBLY .....	59
SUMP PUMP ASSEMBLY (855-0024).....	60
SUMP PUMP (3-0214) .....	61
WCP OZONE SYSTEM SCHEMATIC .....	62
WCP OZONE SYSTEM DIAGRAM .....	63
ELECTRICAL SCHEMATIC.....	64
ELECTRICAL DIAGRAM.....	65

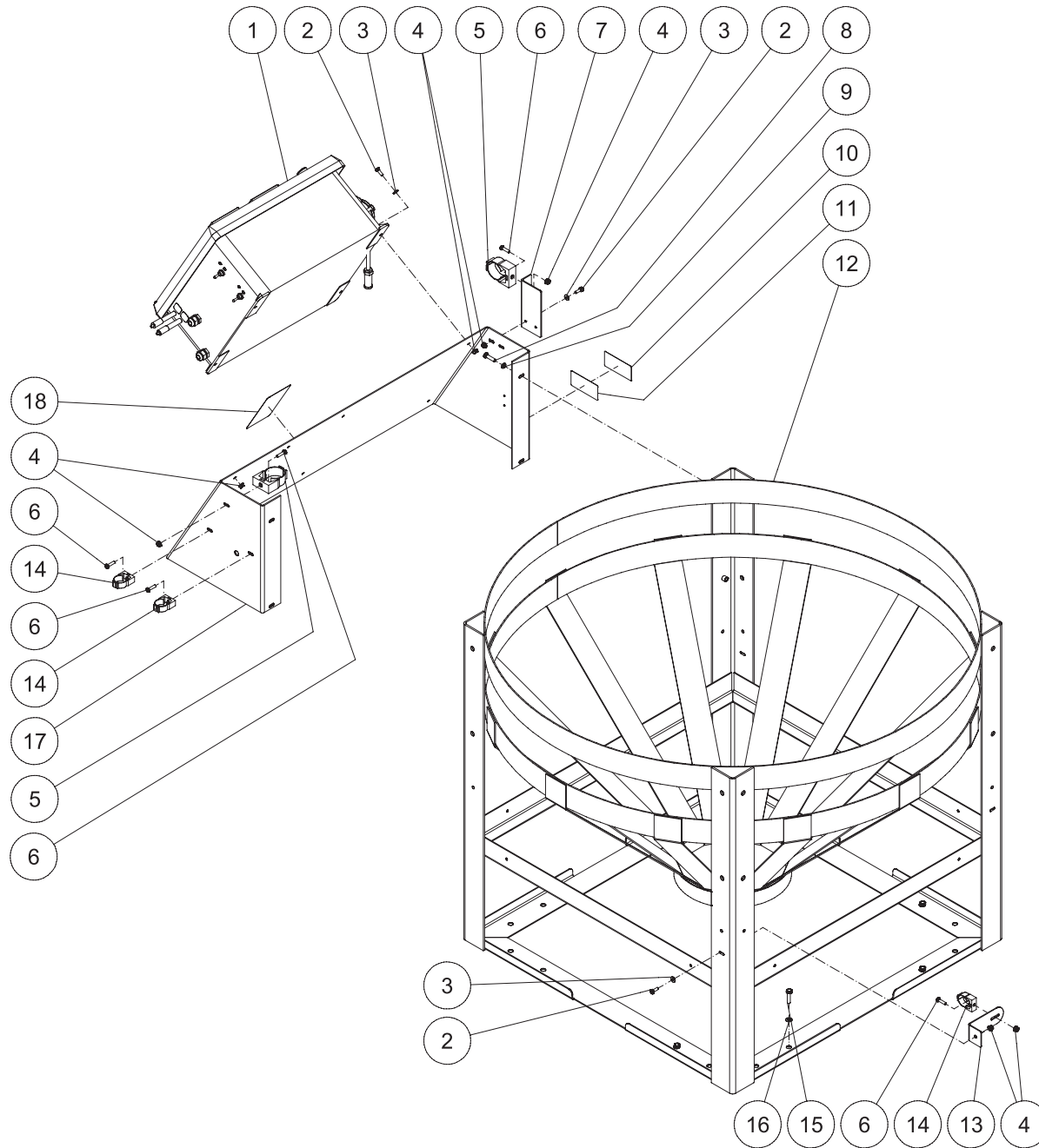
# MAIN ASSEMBLY



WCP-20-0M10-011607-PJH

MAIN ASSEMBLY							
REF. #	DESCRIPTION	PART#	QTY.	REF. #	DESCRIPTION	PART#	QTY.
1	Pallet Assembly	35-0034	1	15	Cartridge Filter	N/A Sep.	1
2	Transfer Pump and Tank Assembly	N/A Sep.	1	16	Plumbing: Cartridge Filter to Polishing Filter	N/A Sep.	1
3	Plumbing: Transfer Pump Manifold	N/A Sep.	1	17	Polishing Filter Assembly	N/A Sep.	1
4	Oil Decanter Assembly	N/A Sep.	1	18	Plumbing: Polishing Filter to Product Tank	N/A Sep.	1
5	Tank Stand Assembly	N/A Sep.	1	19	Manifold Assembly	N/A Sep.	1
6	Plumbing: Ozone Pump Inlet Assembly	N/A Sep.	1	20	Cone Assembly	855-0022	1
7	Ozone Generator Assembly	N/A Sep.	1	21	Outlet Ring Assembly	N/A Sep.	1
8	Plumbing: Oil Decanter Assembly	N/A Sep.	1	22	Clarifier Tank Assembly	N/A Sep.	1
9	Lid Assembly	N/A Sep.	1	23	Holding Tank Assembly	N/A Sep.	1
10	Plumbing: Clarifier Tank Outlet	N/A Sep.	1	24	Plumbing: Inlet Assembly	N/A Sep.	1
11	Plumbing: Ozone Pump Outlet Assembly	N/A Sep.	1	25	Product Tank Assembly	N/A Sep.	1
12	Multi-Media Filter Assembly	N/A Sep.	1	26	Control Panel Assembly	N/A Sep.	1
13	Filter Pump Assembly	N/A Sep.	1	27	Ozone Pump Assembly	N/A Sep.	1
14	Plumbing: Media Filter to Cartridge Filter	N/A Sep.	1	28	Plumbing: Drain Line Assembly	N/A Sep.	1

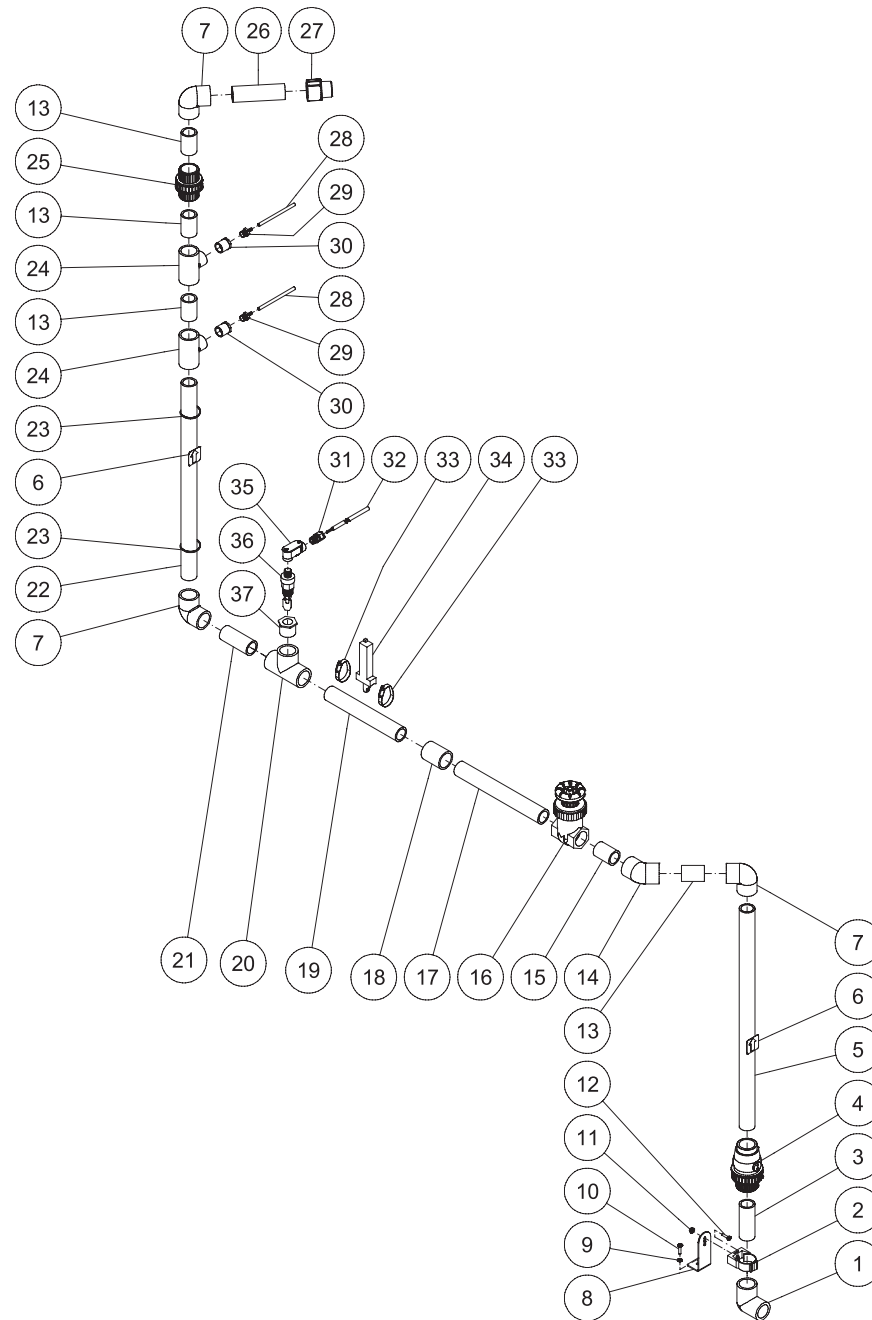
# TANK STAND ASSEMBLY



TANK STAND-011607-PJH

TANK STAND ASSEMBLY							
REF. #	DESCRIPTION	PART#	QTY.	REF. #	DESCRIPTION	PART#	QTY.
1	Control Panel Assembly (See Exploded Drawing)	N/A Sep.	1	11	Decal- Data Plate	N/A	1
2	Screw	27-5016	7	12	Tank Stand	20-0595A01	1
3	Washer	28-0121	7	13	Clamp Bracket	20-0555A01	1
4	Nut	30-5202	16	14	Pipe Clamp	42-0038	3
5	Pipe Clamp	42-0026	2	15	Lag Bolt	27-5276	6
6	Screw	27-5018	5	16	Washer	28-0122	10
7	Inlet Clamp Bracket	20-0569A01	1	17	Control Panel	20-0535A01	1
8	Screw	27-8963	4	18	Decal- Risk of Electrocution (See 34-9010)	N/A Sep.	1
9	Lockwasher	29-1007	4		Safety Decal Kit (Inc. 20)	34-9010	
10	Decal- Clear Laminate	N/A	1				

# PLUMBING: INLET ASSEMBLY

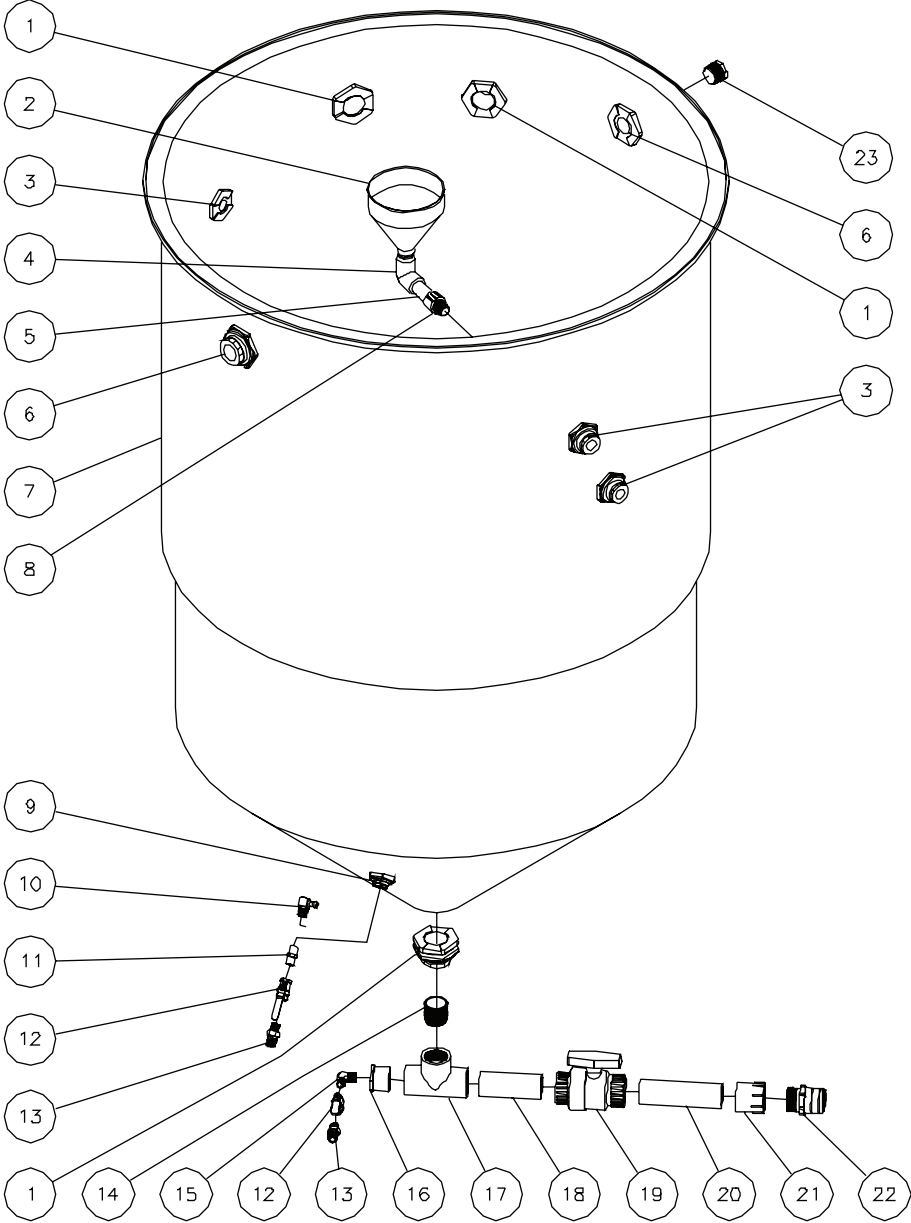


INLET PLUMBING-011607-PJH



PLUMBING: INLET ASSEMBLY							
REF. #	DESCRIPTION	PART#	QTY.	REF. #	DESCRIPTION	PART#	QTY.
1	Elbow	55-1610	1	21	Pipe *(One Foot Required)	55-1600	1
2	Pipe Clamp	42-0026	1	22	Pipe *(Three Feet Required)	55-1600	1
3	Pipe *(One Foot Required)	55-1600	1	23	Cable Tie	33-0022	2
4	Ball Check Valve	55-1652	1	24	Tee	55-1603	2
5	Pipe *(Three Feet Required)	55-1600	1	25	Union (Inc. 25-0448)	55-1645	1
6	Decal- Arrow	34-0883	2	-	O-ring	25-0448	1
7	Elbow	55-1609	3	26	Pipe *(One Foot Required)	55-1600	1
8	Clamp Bracket	20-0555A01	1	27	Adapter- Male	55-1622	1
9	Washer	28-0121	1	28	Hose	15-0026	1
10	Bolt	27-5277	1	29	Hose Barb Adapter	55-0023	2
11	Nut	30-5202	1	30	Reducer Bushing	55-1229	2
12	Screw	27-5018	1	31	Strain Relief	32-0437	1
13	Pipe *(One Foot Required)	55-1600	4	32	Cord *(Five Feet Required)	32-0075	1
14	Elbow	55-1612	1	33	Clamp	42-0027	2
15	Pipe *(One Foot Required)	55-1600	1	34	Flowmeter (Inc. 42-0027)	55-0016	1
16	Gate Valve	55-1671	1	35	Conduit Elbow	32-0642	1
17	Pipe *(Two Feet Required)	55-1600	1	36	Adjustable Flow Switch	32-0641	1
18	Coupler	55-1614	1	37	Reducer Bushing	55-1629	1
19	Pipe *(One Foot Required)	55-1685	1		Crimped Wire Splice	32-0359	2
20	Tee	55-1601	1	*Must Order in One Foot Lengths			

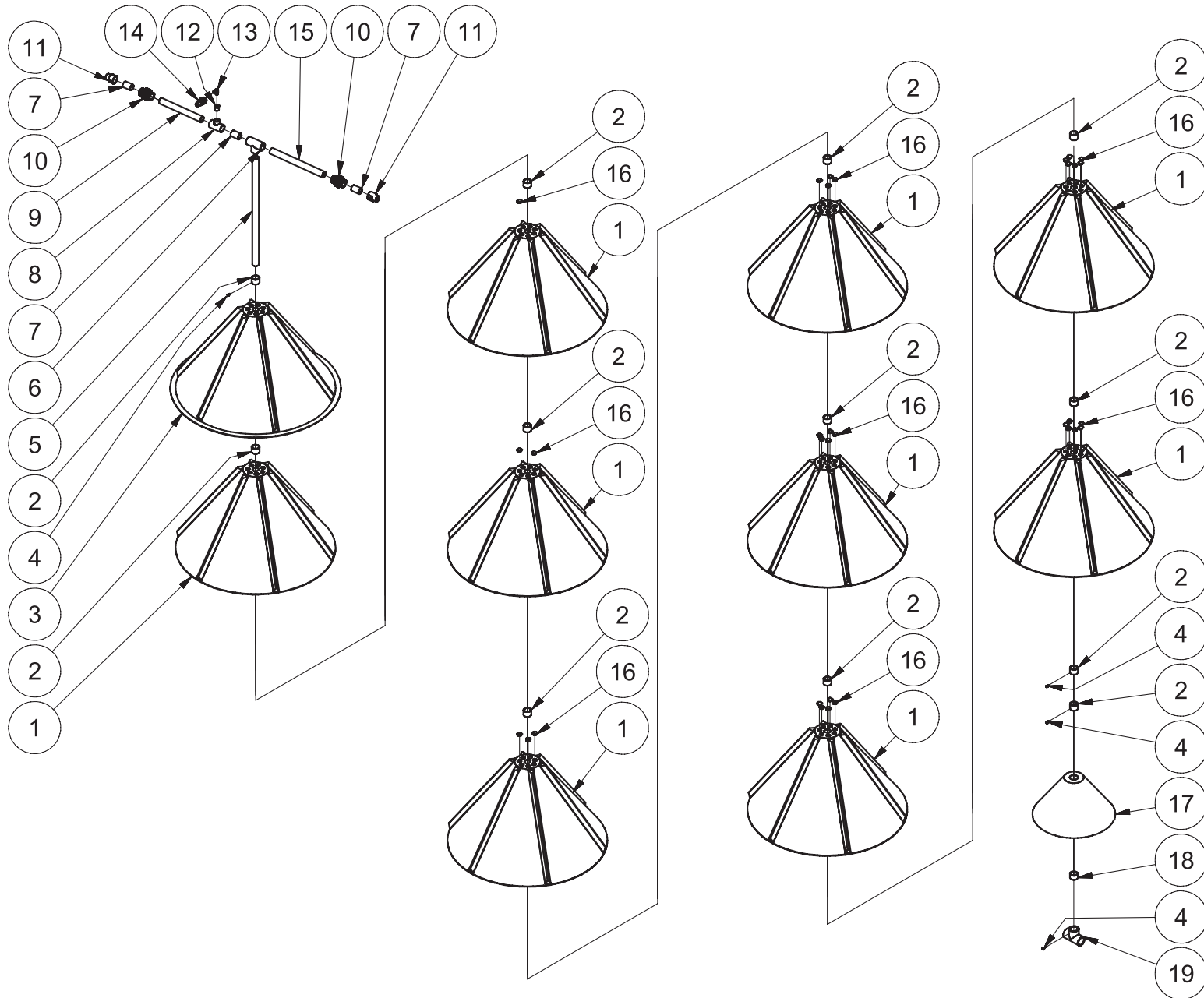
# CLARIFIER TANK ASSEMBLY



CLARIFIER TANK ASSY-111802-KS

CLARIFIER TANK ASSEMBLY							
REF. #	DESCRIPTION	PART#	QTY.	REF. #	DESCRIPTION	PART#	QTY.
1	Bulkhead Fitting (Inc. 25-0481)	55-1886	3	11	Nipple	23-0012	1
-	Gasket	25-0481	3	12	Ball Valve	22-0278	2
2	Funnel	33-0338	1	13	Nipple	23-0359	2
3	Bulkhead Fitting (Inc. 25-0482)	55-1286	3	14	Nipple	55-1874	1
-	Gasket	25-0482	3	15	Elbow	23-0386	1
4	Elbow	55-1210	1	16	Reducer Bushing	55-1832	1
5	Pipe *(1" x 5")	55-1200	1	17	Tee	55-1807	1
6	Bulkhead Fitting (Inc. 25-0481)	55-1686	2	18	Pipe *(2" x 6")	55-1800	1
-	Gasket	25-0481	2	19	Ball Valve	55-1855	1
7	Clarifier Tank	12-0069	1	20	Pipe *(2" x 8")	55-1800	1
8	Adapter- Male	55-1222	1	21	Adapter- Female	55-1821	1
9	Bulkhead Fitting (Inc. 25-0506)	55-0886	1	22	Cam & Groove Adapter	55-0054	1
-	Gasket	25-0506	1	23	Plug	55-1640	1
10	Elbow	23-0053	1	*Must Order in One Foot Lengths			

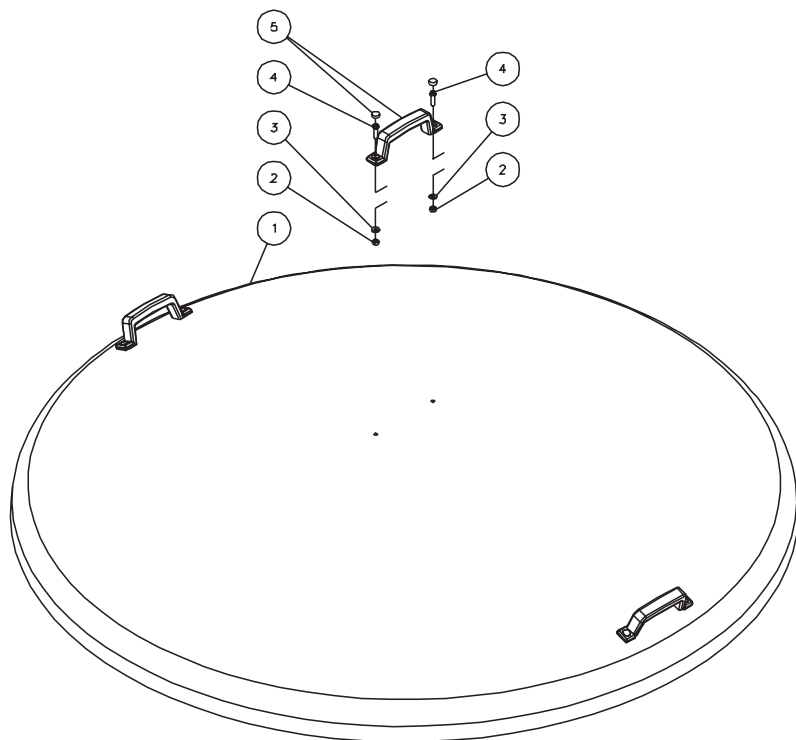
# CONE ASSEMBLY (855-0023)



855-0023-022305-ASY

CONE ASSEMBLY (855-0023)							
REF. #	DESCRIPTION	PART#	QTY.	REF. #	DESCRIPTION	PART#	QTY.
1	Lower Coalescing Cone- 600 gal.	33-0331	9	11	Adapter- Male	55-1622	2
2	Pipe *(One Foot Required)	55-1800	12	12	Reducer Bushing	55-1229	1
3	Upper Coalescing Cone- 600 gal.	33-0297	1	13	Elbow	23-0386	1
4	Screw	27-3064	4	14	Check Valve	55-0853	1
5	Pipe *(Four Feet Required)	55-1600	1	15	Pipe *(Two Feet Required)	55-1600	1
6	Tee	55-1601	1	16	Plug	39-0120	32
7	Pipe *(Three Feet Required)	55-1600	3	17	Cone	33-0334	1
8	Tee	55-1603	1	18	Pipe *(One Foot Required)	55-1800	1
9	Pipe *(Two Feet Required)	55-1600	1	19	Tee	55-1801	1
10	Union (Inc. 25-0448)	55-1645	2		Complete Cone Assembly	855-0023	
-	O-ring	25-0448	2	*Must Order in One Foot Lengths			

## CLARIFIER LID ASSEMBLY



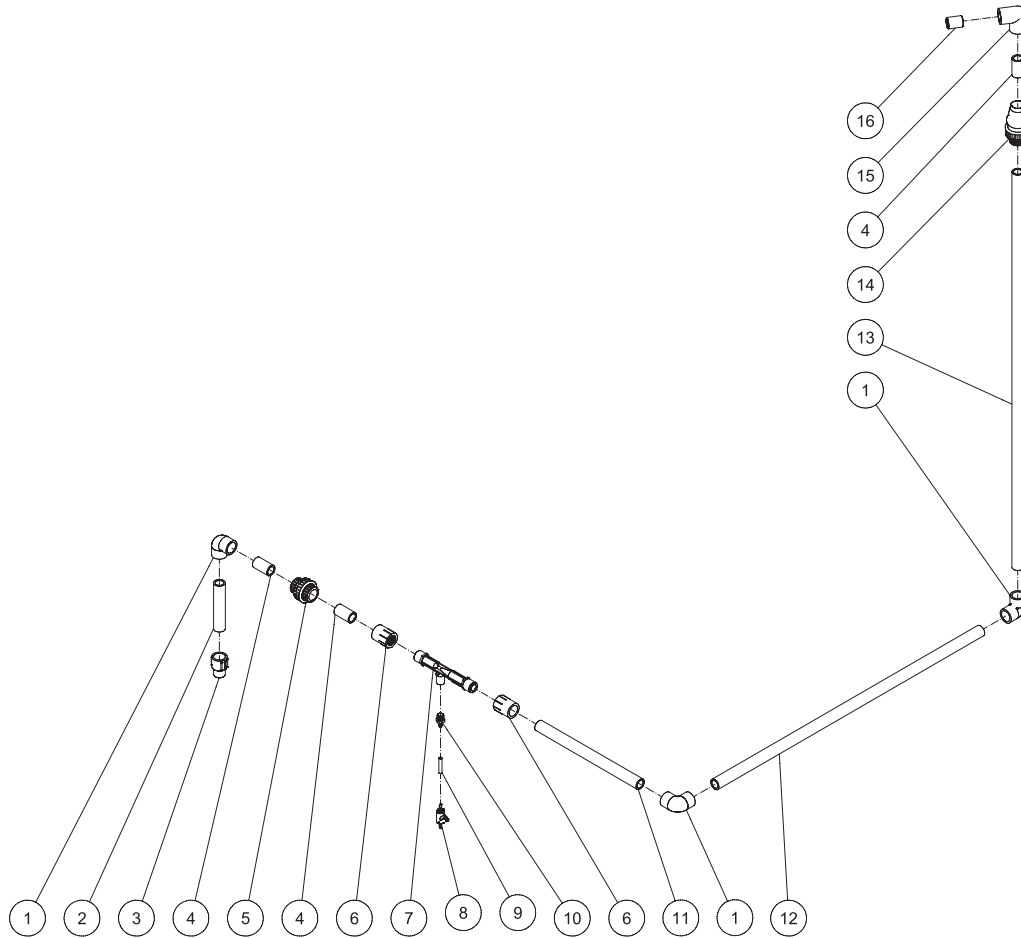
LID ASSY 600-070201-KS

CLARIFIER LID ASSEMBLY			
REF. #	DESCRIPTION	PART#	QTY.
1	Lid (See Tank 12-0102)	N/A Sep.	1
2	Locknut	30-5155	6
3	Washer	28-0121	6
4	Screw	27-5018	6
5	Handle	7-0164	3

LID ASSY 600-070201-KS

## PLUMBING: OZONE PUMP INLET ASSEMBLY

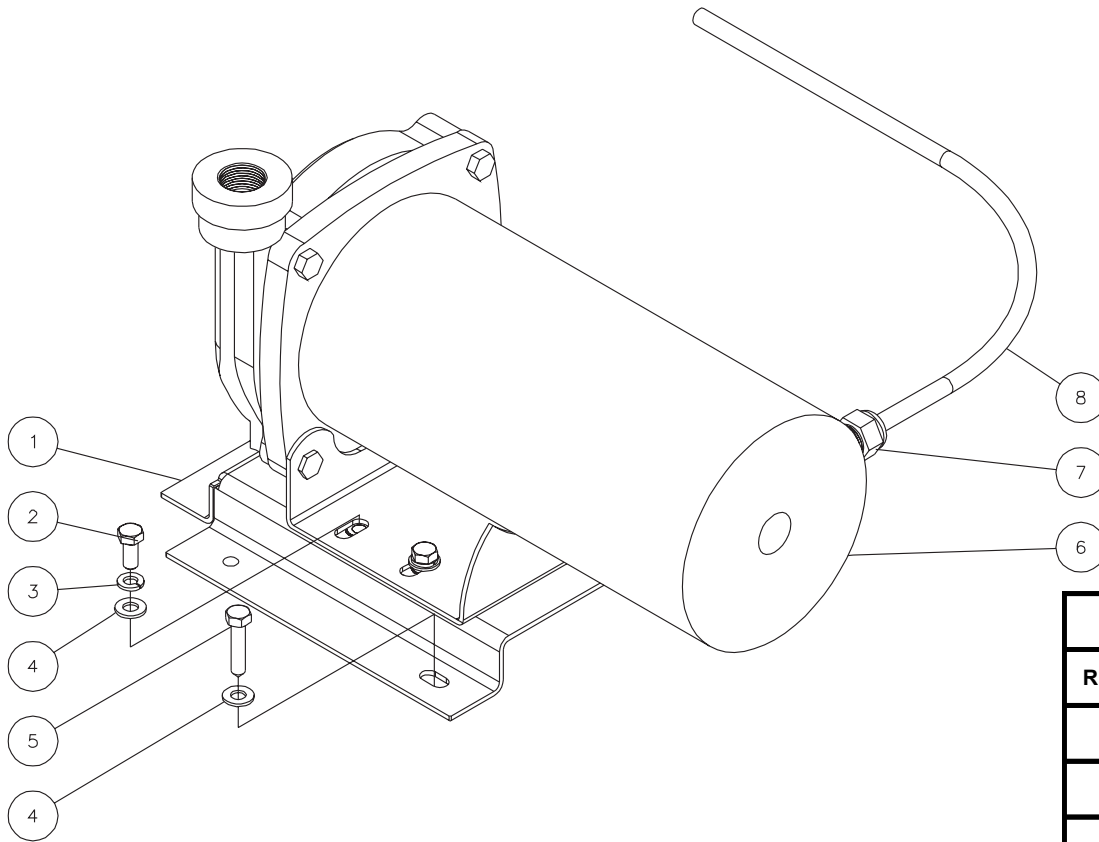
OZONE PUMP INLET-011207-PJH



PLUMBING: OZONE PUMP INLET ASSEMBLY			
REF. #	DESCRIPTION	PART#	QTY.
1	Elbow	55-1209	3
2	Pipe *(One Foot Required)	55-1200	1
3	Adapter- Male	55-1222	1
4	Pipe *(One Foot Required)	55-1200	3
5	Union (Includes 25-0447)	55-1245	1
-	O-ring	25-0447	1
6	Adapter- Female	55-1221	2
7	Mazzei Injector	55-0015	1
8	2-way Ball Valve	22-0074	1
9	Hose *(Four Feet Required)	15-0226	1
10	Adapter	55-0023	1
11	Pipe *(Two Feet Required)	55-1200	1
12	Pipe *(Four Feet Required)	55-1200	1
13	Pipe *(Five Feet Required)	55-1200	1
14	Ball Check Valve	55-1252	1
15	Elbow	55-1210	1
16	Nipple	55-1274	1
*Must Order in One Foot Lengths			

OZONE PUMP INLET ASSY-011007-PJH

## OZONE PUMP ASSEMBLY



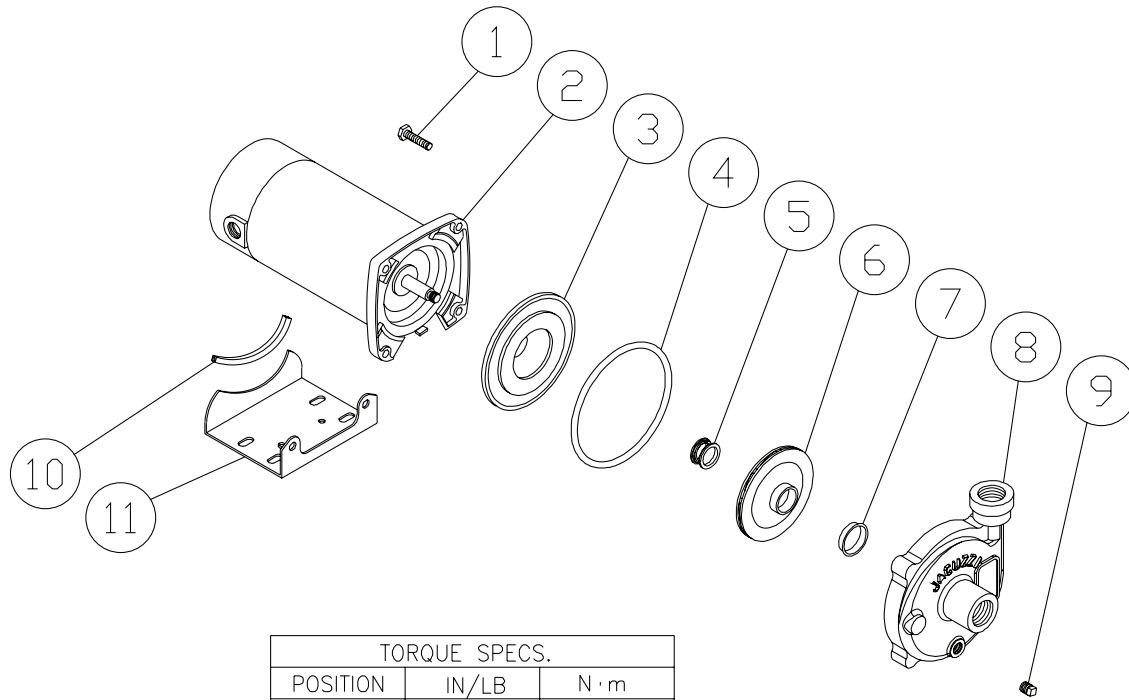
OZONE PUMP-111201-KS

OZONE PUMP ASSEMBLY			
REF. #	DESCRIPTION	PART#	QTY.
1	Pump Mount Plate	20-0522A01	1
2	Screw	27-5066	4
3	Lockwasher	29-1007	4
4	Washer	28-0122	6
5	Lag Bolt	27-5276	2
6	Pump	3-0199	1
7	Strain Relief	32-0437	1
8	Cord *(Five Feet Required)	32-0074	1
	Terminal Fork	32-0003	1
	Terminal Flag	32-0492	2
*Must Order in One Foot Lengths			

OZONE PUMP ASSY-111201-KS



## OZONE PUMP (3-0199)



TORQUE SPECS.		
POSITION	IN/LB	N · m
1	150-160	16.9-18.0

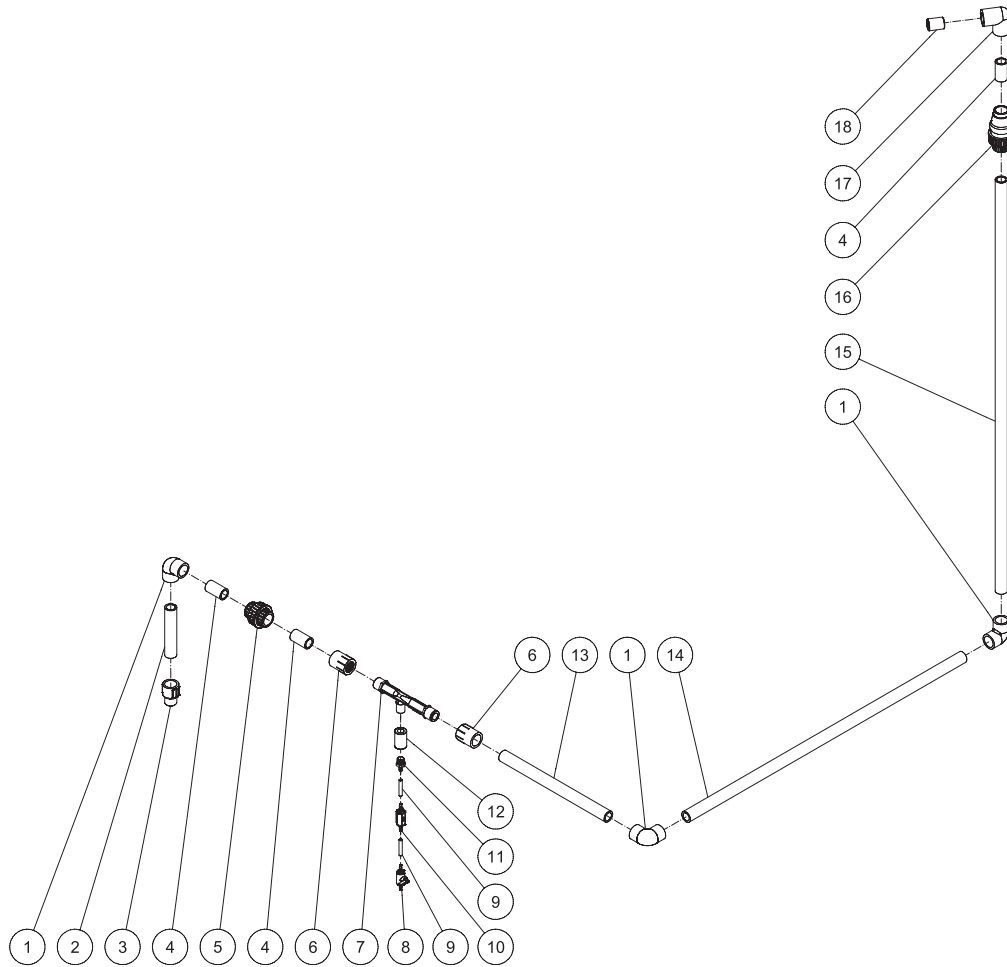
3-0199-OZONE-061099-JTR

OZONE PUMP (3-0199)			
REF. #	DESCRIPTION	PART#	QTY.
1	Bolt	27-0117	4
2	Motor- 1/2 H.P.	N/A	1
3	Seal Plate	26-0237	1
4	Square Ring	25-0479	1
5	Mechanical Seal	26-0215	1
6	Impeller	46-0853	1
7	Wear Ring	46-0835	1
8	Pump Head	N/A	1
9	Drain Plug	39-0109	1
10	Motor Pad	33-0320	1
11	Motor Pad Base	5-0144	1
	Complete Ozone Pump (Inc. 1-11)	3-0199	

# PLUMBING: OZONE PUMP OUTLET ASSEMBLY

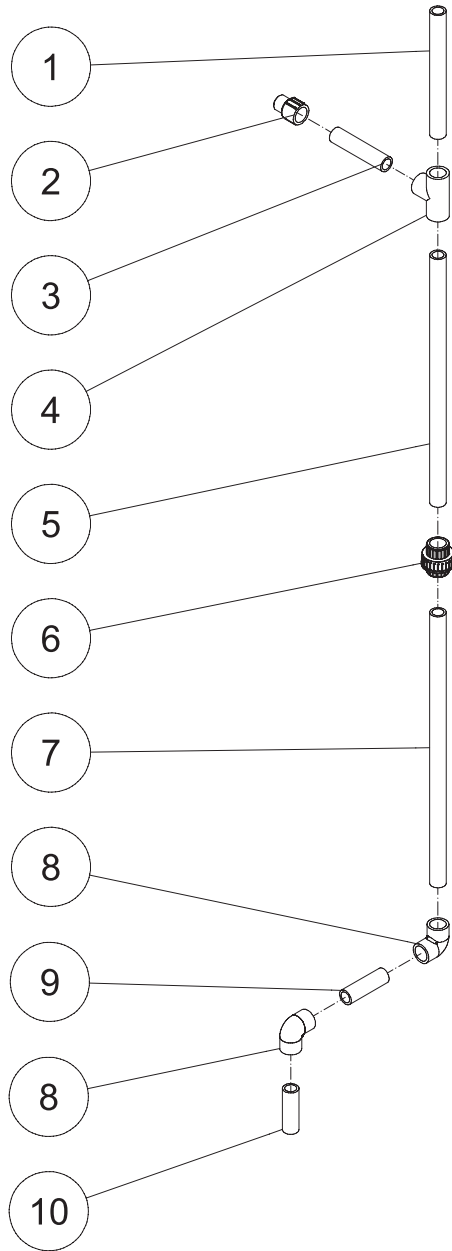
OZONE PUMP OUTLET-041907-PJH

OZONE PUMP OUTLET ASSY-041907-PJH



PLUMBING: OZONE PUMP OUTLET ASSEMBLY			
REF. #	DESCRIPTION	PART#	QTY.
1	Elbow	55-1209	3
2	Pipe *(One Foot Required)	55-1200	1
3	Adapter- Male	55-1222	1
4	Pipe *(One Foot Required)	55-1200	3
5	Union (Includes 25-0447)	55-1245	1
-	O-ring	25-0447	1
6	Adapter- Female	55-1221	2
7	Mazzei Injector	55-0015	1
8	2-way Ball Valve	22-0074	1
9	Hose *(Four Feet Required)	15-0226	1
10	Check Valve	22-0286	1
11	Adapter	55-0023	1
12	Coupler	55-0815	1
13	Pipe *(Two Feet Required)	55-1200	1
14	Pipe *(Four Feet Required)	55-1200	1
15	Pipe *(Five Feet Required)	55-1200	1
16	Ball Check Valve	55-1252	1
17	Elbow	55-1210	1
16	Nipple	55-1274	1
*Must Order in One Foot Lengths			

## PLUMBING: OIL DECANTER ASSEMBLY (AFTER SERIAL #30000122)

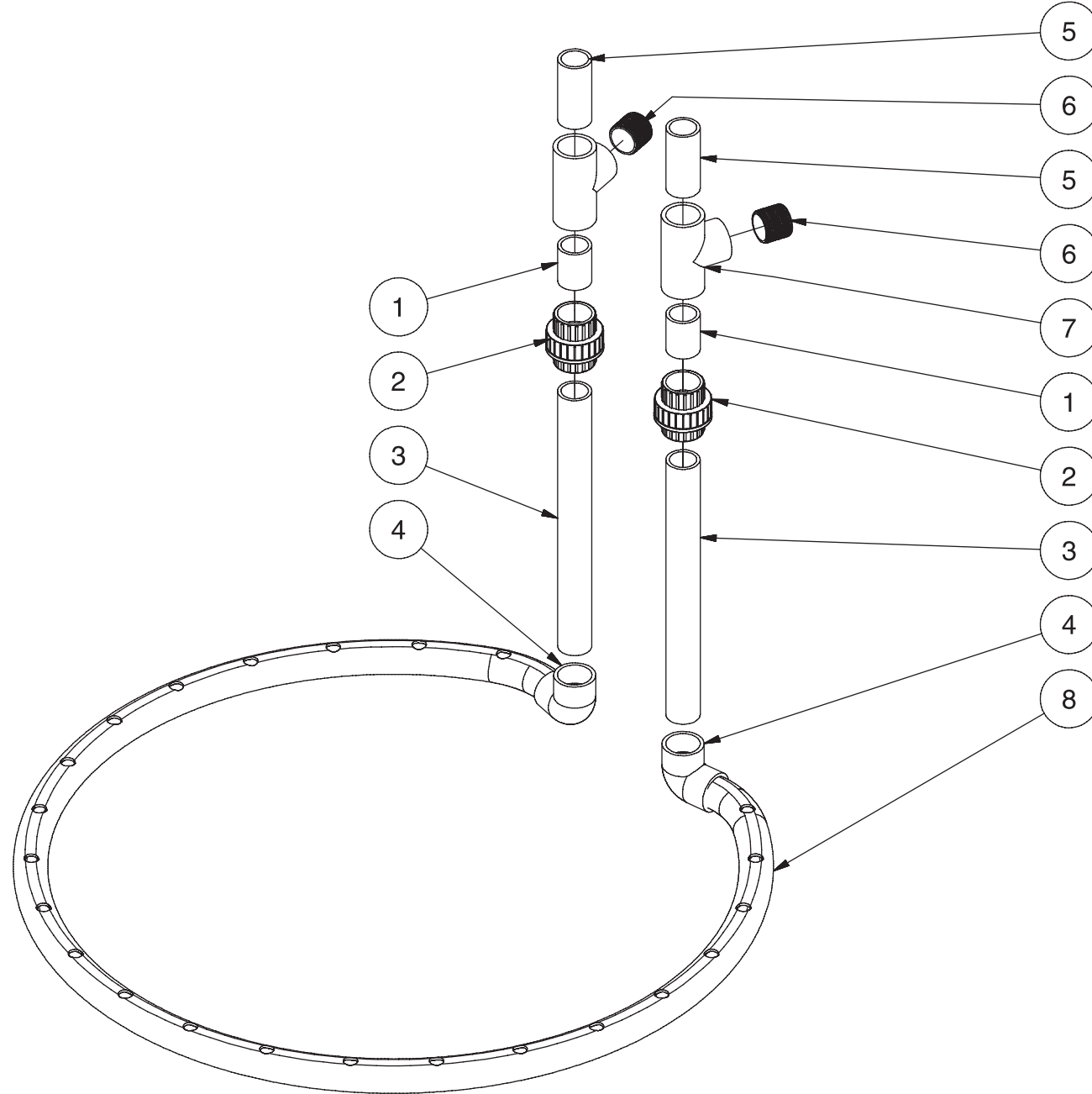


OIL DECANTER PLUMBING-011007-PJH

PLUMBING: OIL DECANTER ASSEMBLY (AFTER SERIAL #30000122)			
REF. #	DESCRIPTION	PART#	QTY.
1	Pipe *(One Foot Required)	55-1200	1
2	Adapter- Male	55-1222	1
3	Pipe *(One Foot Required)	55-1200	1
4	Tee	55-1201	1
5	Pipe *(Two Feet Required)	55-1200	1
6	Union (Inc. 25-0447)	55-1245	1
-	O-ring	25-0447	1
7	Pipe *(Three Feet Required)	55-1200	1
8	Elbow	55-1209	2
9	Pipe *(ONE Foot Required)	55-1200	1
10	Pipe *(One Foot Required)	55-1200	1
*Must Order in One Foot Lengths			

OIL DECANTER PLUMBING-011007-PJH

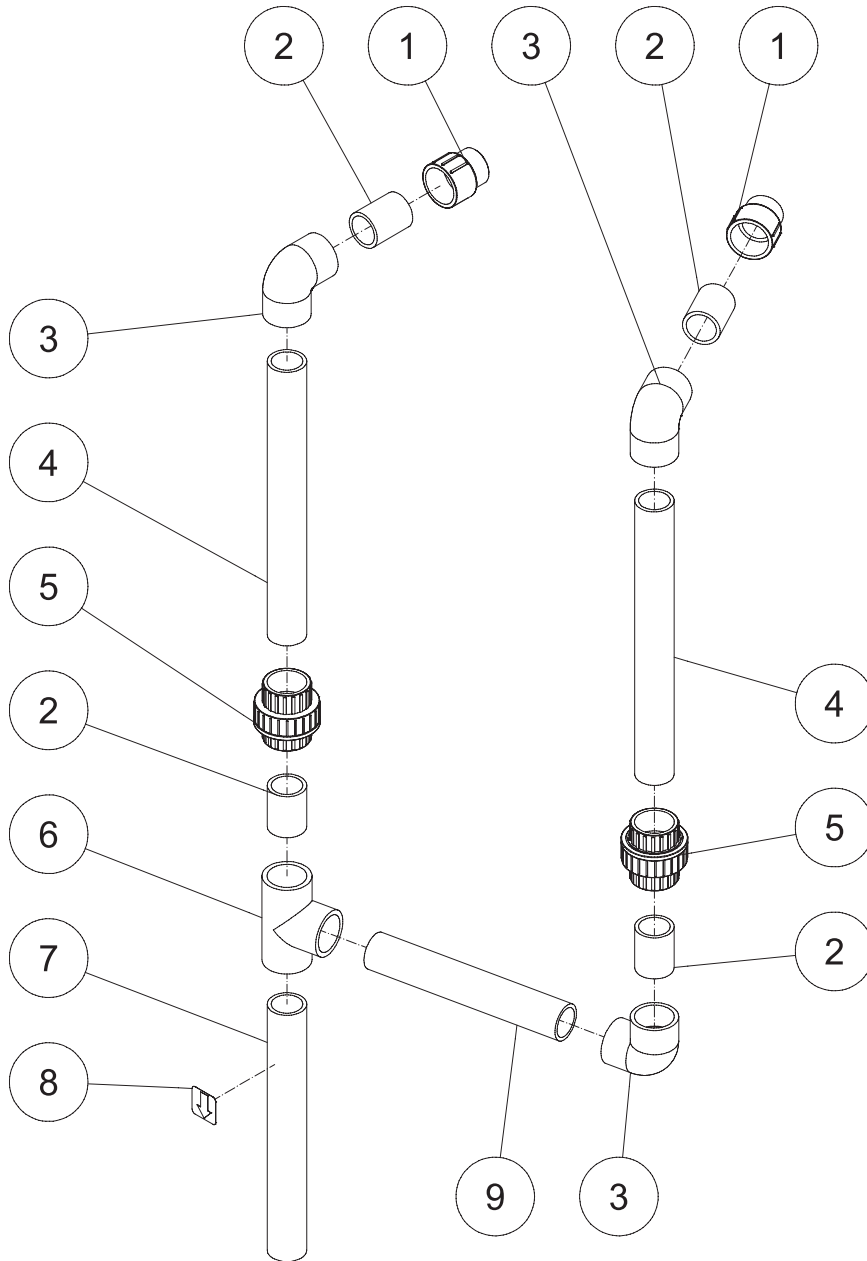
# OUTLET RING ASSEMBLY (AFTER SERIAL #30000122)



OUTLET RING 600-021605-ASY

OUTLET RING ASSEMBLY (AFTER SERIAL #30000122)			
REF. #	DESCRIPTION	PART#	QTY.
1	Pipe *(2" x 3")	55-1800	2
2	Union (Inc. 25-0449)	55-1845	2
-	O-ring	25-0449	2
3	Pipe *(2" x 21 1/2")	55-1800	2
4	Elbow	55-1809	2
5	Pipe *(2" x 5 1/8")	55-1800	2
6	Nipple	55-1874	2
7	Tee	55-1807	2
8	Flex Pipe	55-0062	1
*Must Order in One Foot Lengths			

**PLUMBING: CLARIFIER TANK OUTLET ASSEMBLY (AFTER SERIAL #30000122)**

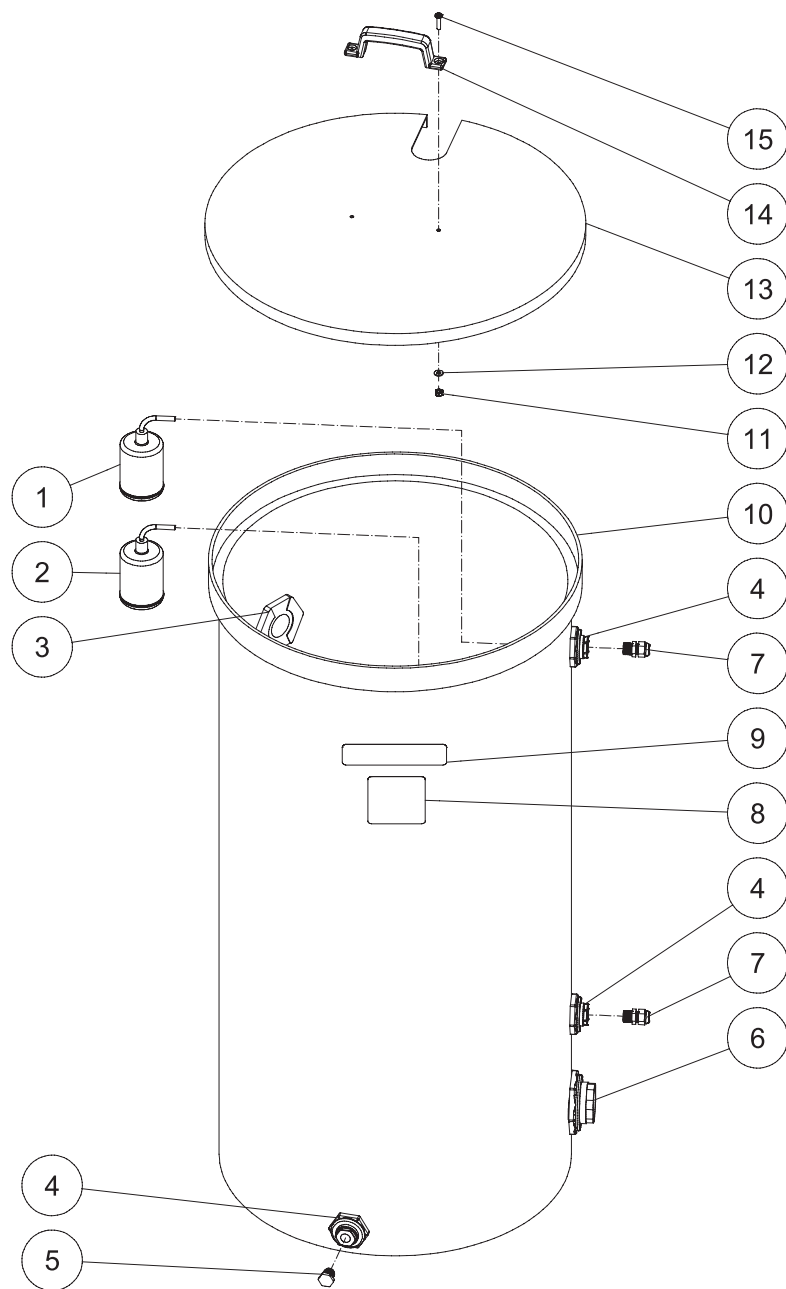


CLARIFIER TANK OUTLET ASSEMBLY-011607-PJH

CLARIFIER TANK OUTLET-011607-PJH

PLUMBING: CLARIFIER TANK OULET ASSEMBLY			
REF. #	DESCRIPTION	PART#	QTY.
1	Adapter- Male	55-1822	2
2	Pipe *(One Foot Required)	55-1800	4
3	Elbow	55-1809	3
4	Pipe *(Two Feet Required)	55-1800	1
5	Union (Inc. 25-0449)	55-1845	2
-	O-ring	25-0449	2
6	Tee	55-1801	1
7	Pipe *(Two Feet Required)	55-1800	1
8	Decal-Arrow	34-0883	1
9	Pipe *(Two Feet Required)	55-1800	1
*Must Order in One Foot Lengths			

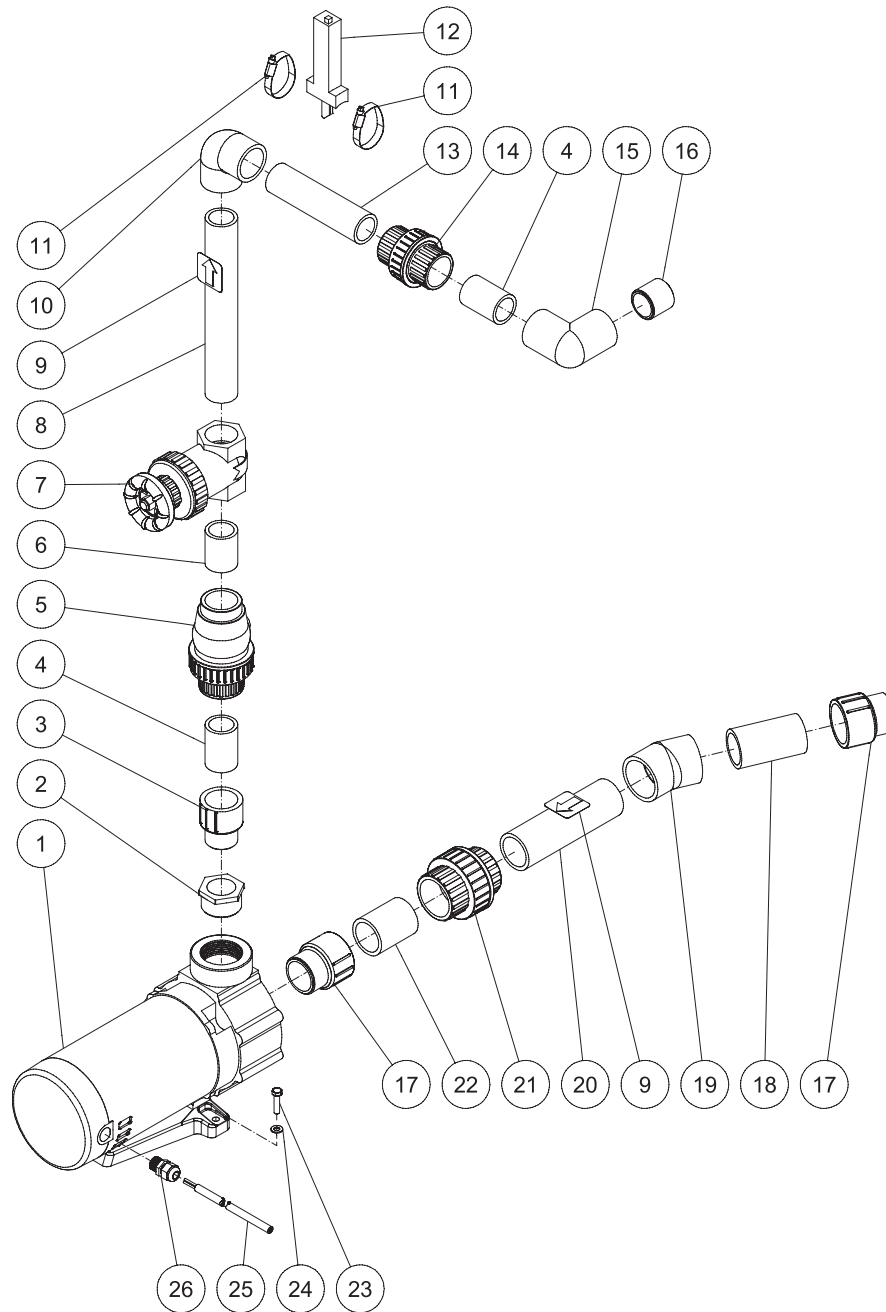
## HOLDING TANK ASSEMBLY



HOLDING TANK ASSY-WCP-20-0M10-011507-PJH

HOLDING TANK ASSEMBLY			
REF. #	DESCRIPTION	PART#	QTY.
1	Float	32-0664	1
2	Float	32-0663	1
3	Bulkhead Fitting (Inc. 25-0481)	55-1686	1
-	Gasket	25-0481	1
4	Bulkhead Fitting (Inc. 25-0506)	55-0886	3
-	Gasket	25-0506	3
5	Plug	55-0840	1
6	Bulkhead Fitting (Inc. 25-0481)	55-1886	1
-	Gasket	25-0506	1
7	Strain Relief	32-0437	2
8	Decal- Caution: Nonpotable Water	34-0868	1
9	Decal- Holding Tank	34-1152	1
10	Vertical Tank	12-0094	1
11	Locknut	30-5155	2
12	Washer	28-0121	2
13	Cover	12-0097	1
14	Handle	7-0164	1
15	Screw	27-5018	2

# FILTER PUMP ASSEMBLY



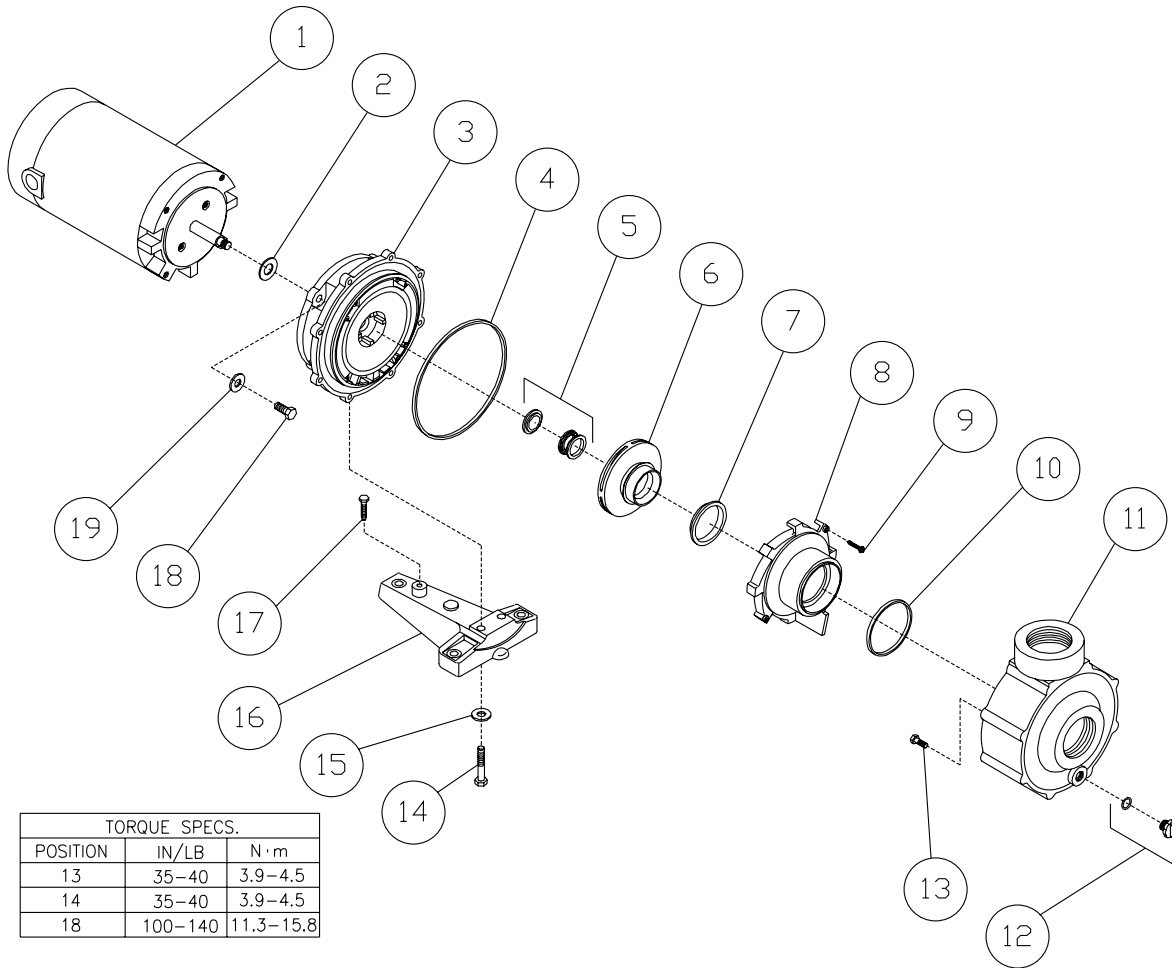
FILTER PUMP ASSY-011507-PJH



FILTER PUMP ASSEMBLY							
REF. #	DESCRIPTION	PART#	QTY.	REF. #	DESCRIPTION	PART#	QTY.
1	Filter Pump	3-0179	1	15	Elbow	55-1610	1
2	Reducer Bushing	55-1833	1	16	Nipple	55-1674	1
3	Adapter- Male	55-1622	2	17	Adapter- Male	55-1822	2
4	Pipe *(One Foot Required)	55-1600	2	18	Pipe *(One Foot Required)	55-1800	1
5	Ball Check Valve	55-1652	1	19	Elbow	55-1893	1
6	Pipe *(One Foot Required)	55-1600	1	20	Pipe *(One Foot Required)	55-1800	1
7	Gate Valve	55-1671	1	21	Union (Inc. 25-0449)	55-1845	1
8	Pipe *(Two Feet Required)	55-1600	1	-	O-Ring	25-0449	1
9	Decal- Arrow	34-0883	2	22	Pipe *(One Foot Required)	55-1800	1
10	Elbow	55-1609	1	23	Lag Bolt	27-5276	3
11	Clamp	42-0027	2	24	Washer	28-0122	3
12	Flowmeter (Inc. 42-0027)	55-0016	1	25	Cord *(Fourteen Feet Required)	32-0074	1
13	Pipe *(One Foot Required)	55-1685	1	26	Strain Relief	32-0437	1
14	Union (Inc. 25-0448)	55-1645	1	*Must Order in One Foot Lengths			
-	O-ring	25-0448	1				

# FILTER PUMP (3-0179)

3-0179-073106-DS



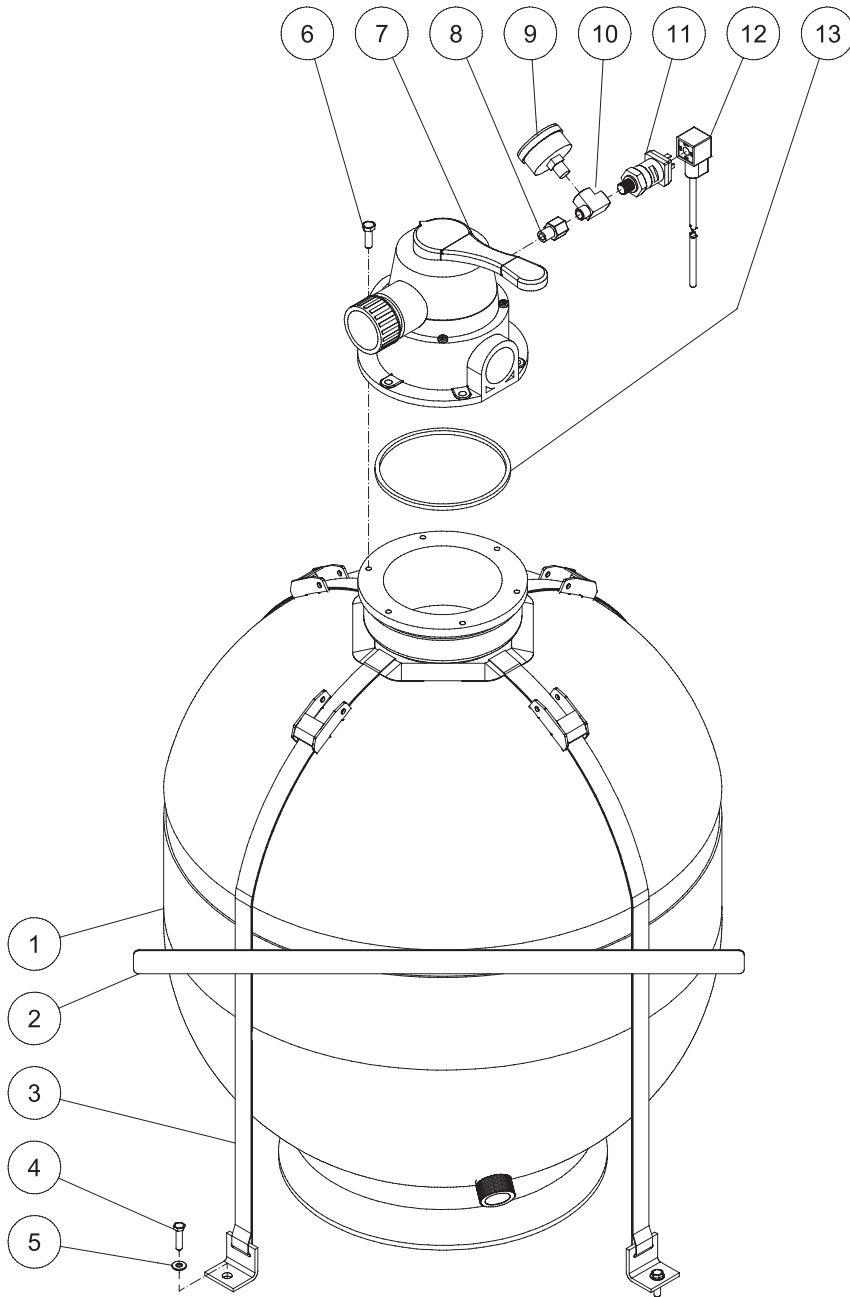
TORQUE SPECS.		
POSITION	IN/LB	N·m
13	35-40	3.9-4.5
14	35-40	3.9-4.5
18	100-140	11.3-15.8

FILTER PUMP (3-0179)			
REF. #	DESCRIPTION	PART#	QTY.
1	Motor- 1/2 HP	N/A	1
2	Rubber Washer	N/A	1
3	Bracket	46-0838	1
4	Square Ring (See 70-0255)	N/A Sep.	1
5	Mechanical Seal	26-0216	1
6	Impeller (See 70-0255)	N/A Sep.	1
7	Eye Seal	26-0217	1
8	Diffuser (See 70-0253)	N/A Sep.	1
9	Bolt	27-8938	2
10	Square Ring (See 70-0253)	N/A Sep.	1
11	Case Flange Assembly	46-0840	1
12	Plug Assembly	39-0110	1
13	Bolt	27-5016	8
14	Bolt (See 70-0252)	N/A Sep.	2
15	Washer (See 70-0252)	N/A Sep.	2
16	Base Assembly	5-0145	1
17	Bolt (See 70-0252)	N/A Sep.	1
18	Bolt	27-8939	4
19	Washer	28-0123	4
	Fastner Kit (Includes 14,15,17)	70-0252	
	Diffuser Kit (Includes 8-10)	70-0253	
	Impeller Kit (Includes 4-9, 11)	70-0255	

3-0179-073106-DS

## MULTI-MEDIA FILTER ASSEMBLY

MULTI-MEDIA FILTER-011507-PJH

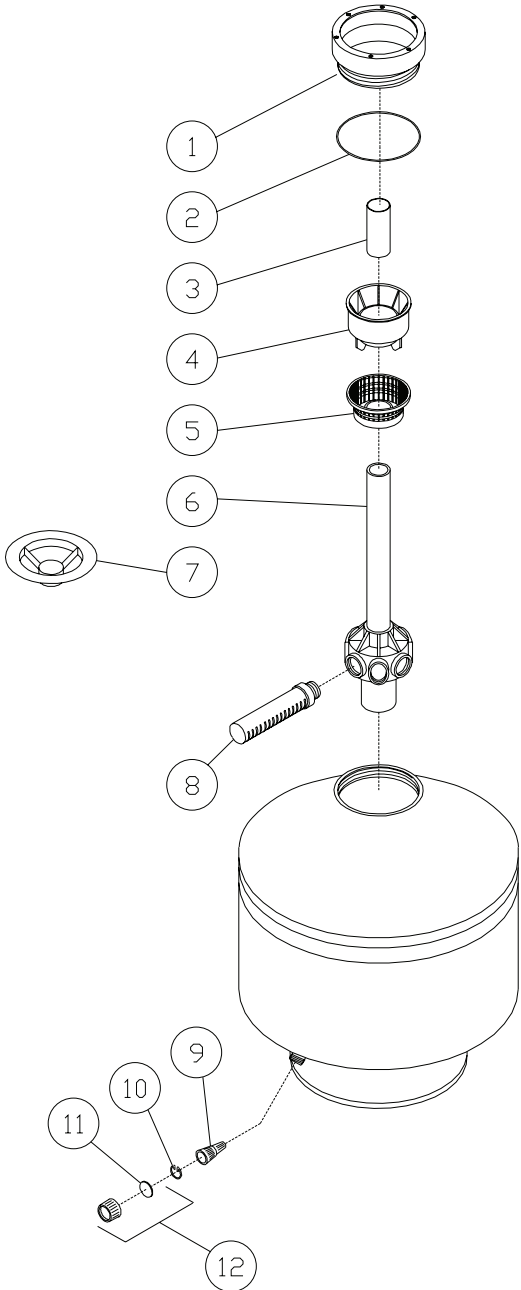


### MULTI-MEDIA FILTER ASSEMBLY

REF. #	DESCRIPTION	PART#	QTY.
1	Media Filter	19-0503	1
2	Decal- Multi-Media Filter	34-0874	1
3	Strap Assembly	33-0316	1
4	Lag Bolt	27-5277	4
5	Washer	28-0121	4
6	Screw	27-5067	6
7	4-Way Valve	55-0013	1
8	Adapter	23-0126	1
9	Pressure Gauge	22-0284	1
10	Tee	23-0127	1
11	Pressure Switch	22-0382	1
12	Cord Set	32-0786	1
13	Gasket	25-0441	1

MULTI-MEDIA FILTER ASSY-011507-PJH

# FILTER (19-0503)

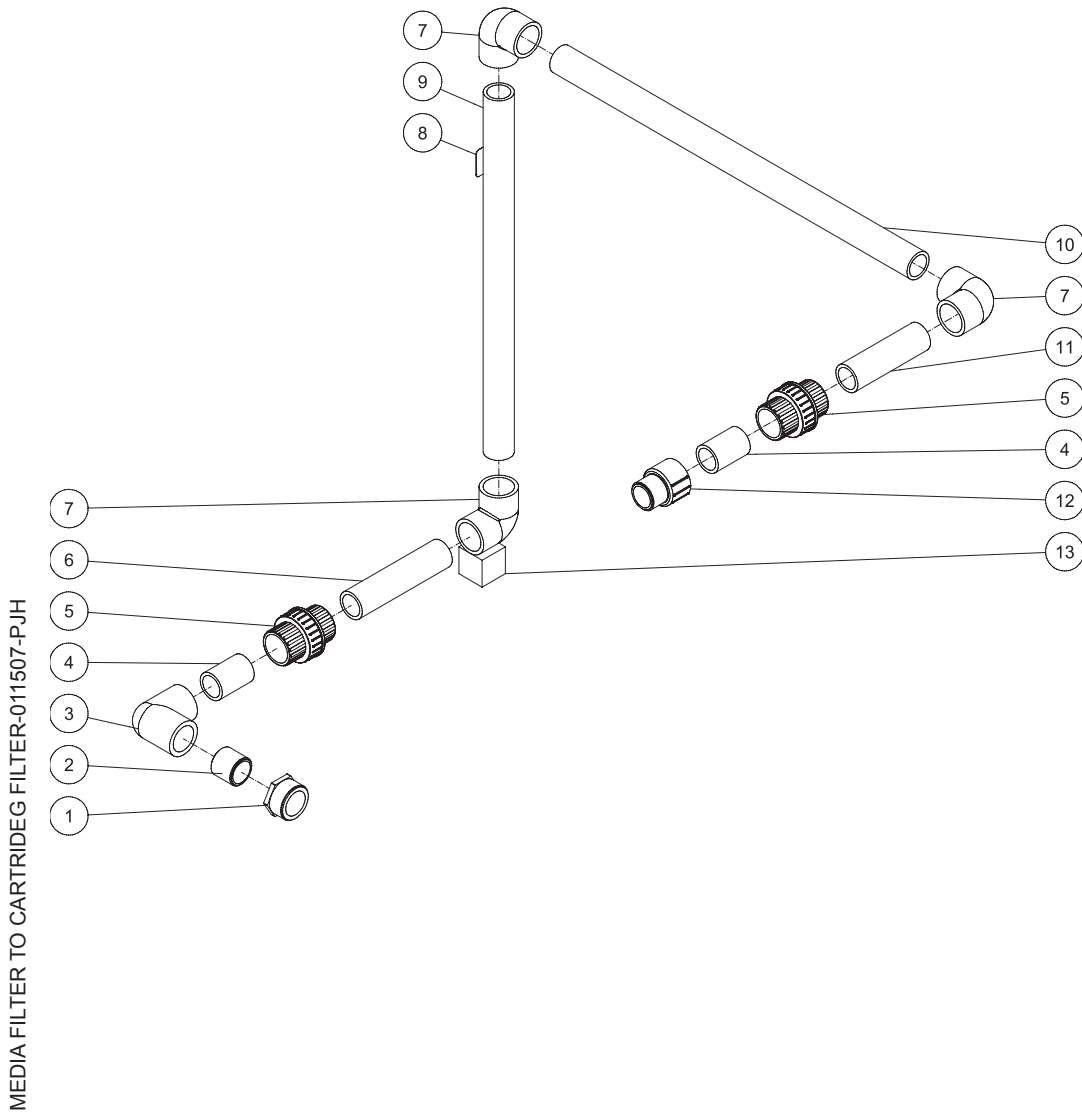


19-0503-021799-JTR

FILTER (19-0503)			
REF. #	DESCRIPTION	PART#	QTY.
1	Tank Adapter	19-0518	1
2	O-ring	25-0441	1
3	Pipe	55-0029	1
4	Diverter	19-0511	1
5	Filter Basket	19-0513	1
6	Standpipe Assembly	55-0039	1
7	Fill Spout	19-0512	1
8	Lateral (Eight per package)	55-0041	1
9	Drain Nozzle	18-0335	1
10	Drain Nozzle Retainer	42-0029	1
11	Drain Nozzle Gasket	26-0212	1
12	Drain Cap (Includes Gasket 26-0212)	39-0108	1

19-0503-021799-JJ

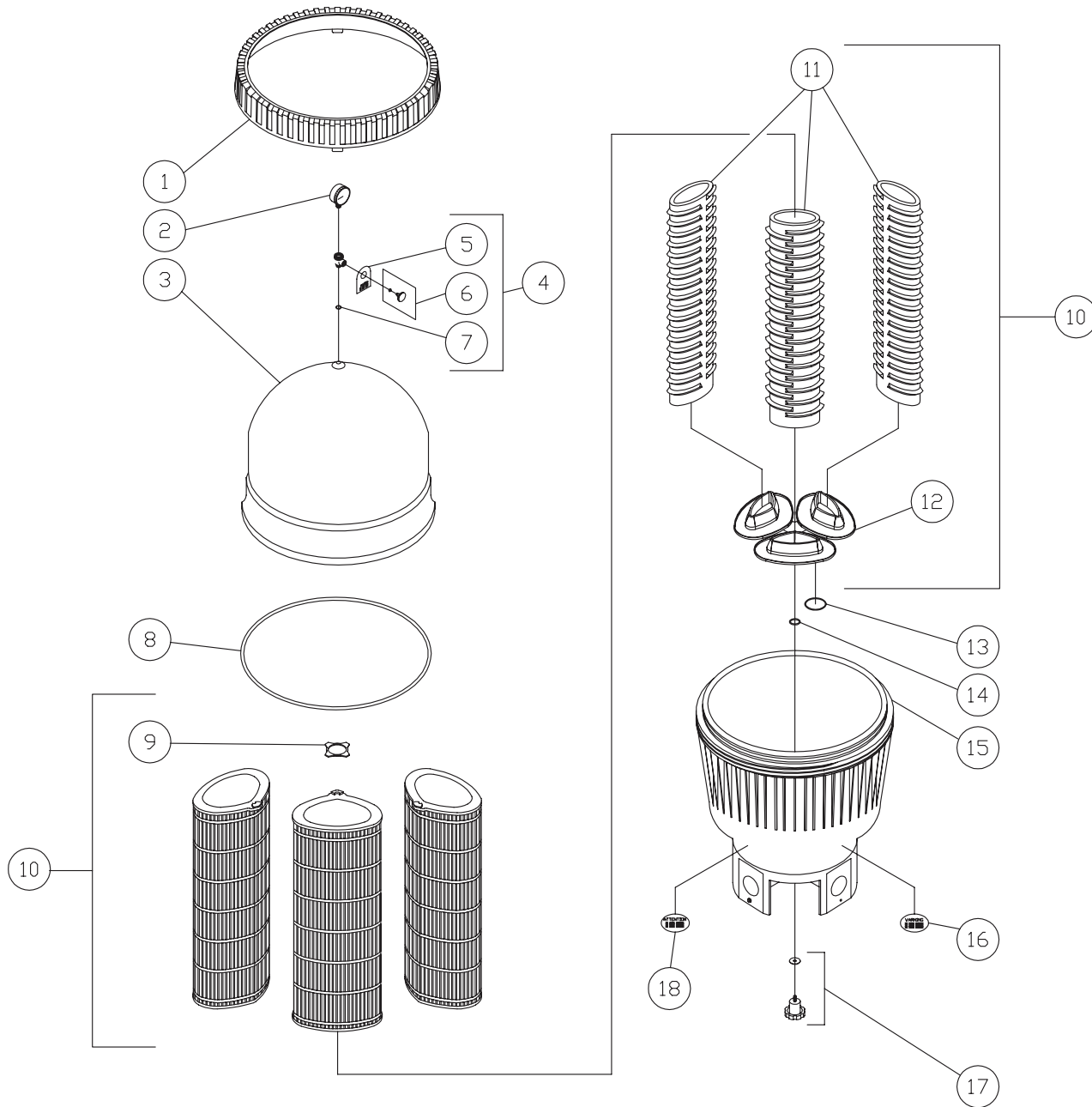
## PLUMBING: MULTI-MEDIA TO CARTRIDGE FILTER



MEDIA FILTER TO CARTRIDGE FILTER-011507-PJH

PLUMBING: MULTI-MEDIA FILTER TO CARTRIDGE FILTER			
REF. #	DESCRIPTION	PART#	QTY.
1	Reducer Bushing	55-1833	1
2	Nipple	55-1674	1
3	Elbow	55-1610	1
4	Pipe *(One Foot Required)	55-1600	1
5	Union (Inc. 25-0448)	55-1645	2
-	O-ring	25-0448	2
6	Pipe *(One Foot Required)	55-1600	1
7	Elbow	55-1609	3
8	Decal- Arrow	34-0883	1
9	Pipe *(Three Feet Required)	55-1600	1
10	Pipe *(Three Feet Required)	55-1600	2
11	Pipe *(ONE Foot Required)	55-1685	1
12	Adapter- Male	55-1622	1
13	Plastic Lumber *(One Foot Required)	35-003404	1
*Must Order in One Foot Lengths			

# CARTRIDGE FILTER (19-0601)

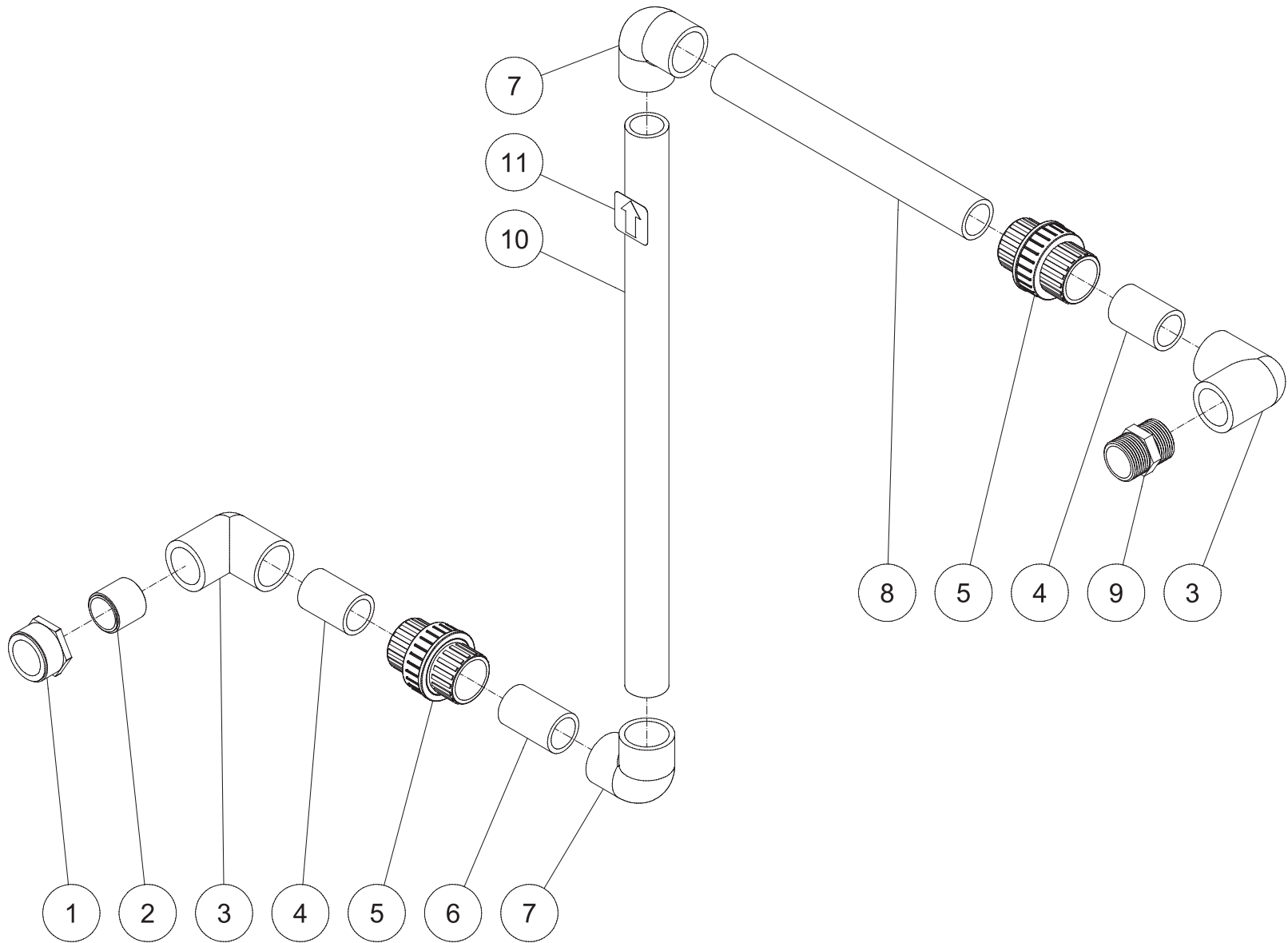


19-0601-070606-PJH

19-0601-070606-PJH

CARTRIDGE FILTER (19-0601)			
REF. #	DESCRIPTION	PART#	QTY.
1	Nut	19-0519	1
2	Pressure Gauge	22-0285	1
3	Cartridge Filter Top	19-0520	1
4	Valve Assembly (Includes 5-7)	19-0607	1
5	Decal- Caution: Air Vent	34-0959	1
6	Knob w/ O-ring	19-0517	1
7	O-ring	25-0123	1
8	O-ring	25-0453	1
9	Retainer Ring	19-0608	1
10	Filter (Inc. 9, 11-12)	19-0098	3
11	Filter Support	19-0522	3
12	Manifold- Filter Support	19-0524	1
13	O-ring- Manifold Large	25-0454	1
14	O-ring- Manifold Small	25-0455	1
15	Cartridge Filter Base	19-0525	1
16	Decal- Warning: High Pressure	34-0960	1
17	Manifold Knob w/ Washer	7-0155	1
18	Decal- Attention: Reassembly Filter	34-0961	1

# PLUMBING: CARTRIDGE FILTER TO POLISHING FILTER



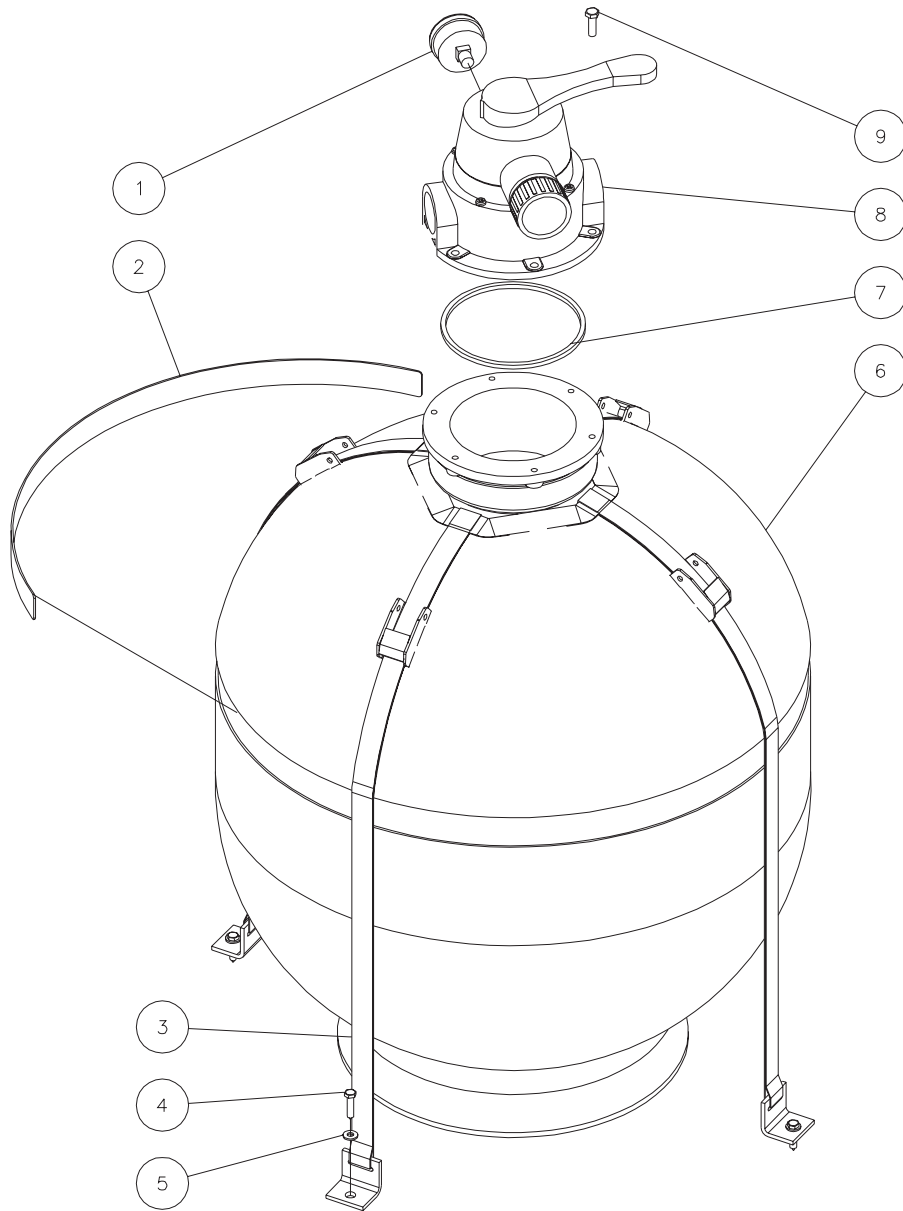
CARTRIDGE FILTER TO POLISHING FILTER-011507-PJH



CARTRIDGE FILTER TO POLISHING FILTER-011507-PJH

<b>PLUMBING: CARTRIDGE FILTER TO POLISHING FILTER</b>			
<b>REF. #</b>	<b>DESCRIPTION</b>	<b>PART#</b>	<b>QTY.</b>
1	Reducer Bush	55-1833	1
2	Nipple	55-1674	1
3	Elbow	55-1610	2
4	Pipe *(One Foot Required)	55-1600	2
5	Union (Inc. 25-0448)	55-1645	2
-	O-ring	25-0448	2
6	Pipe *(One Foot Required)	55-1600	1
7	Elbow	55-1609	2
8	Pipe *(Two Feet Required)	55-1685	1
9	Nipple	55-1677	1
10	Pipe *(Three Feet Required)	55-1600	1
11	Decal- Arrow	34-0883	1
*Must Order in One Foot Lengths			

## POLISHING FILTER ASSEMBLY



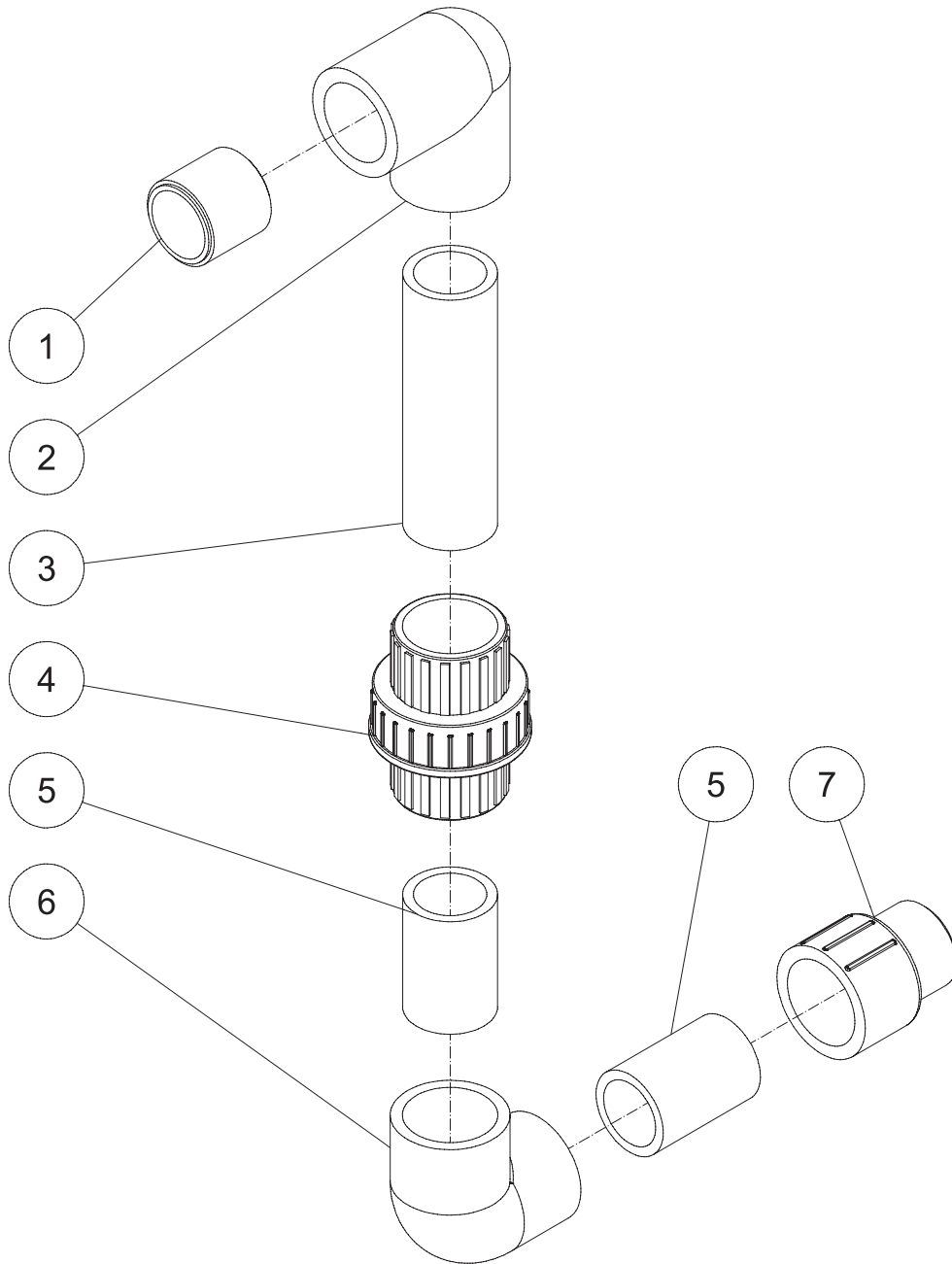
POLISHING FILTER-111201-KS

POLISHING FILTER ASSEMBLY			
REF. #	DESCRIPTION	PART#	QTY.
1	Pressure Gauge	22-0284	1
2	Decal- Polishing Filter	34-0875	1
3	Strap Assembly	33-0316	1
4	Lag Bolt	27-5277	4
5	Washer	28-0121	4
6	Media Filter	19-0503	1
7	Valve Gasket	25-0441	1
8	4-Way Valve (Inc. 1, 7, 9)	55-0013	1
9	Screw	27-5067	6
	Activated Carbon (55 lb Bag)	33-0302	3

POLISHING FILTER ASSY-111201-KS

## PLUMBING: POLISHING FILTER TO PRODUCT TANK

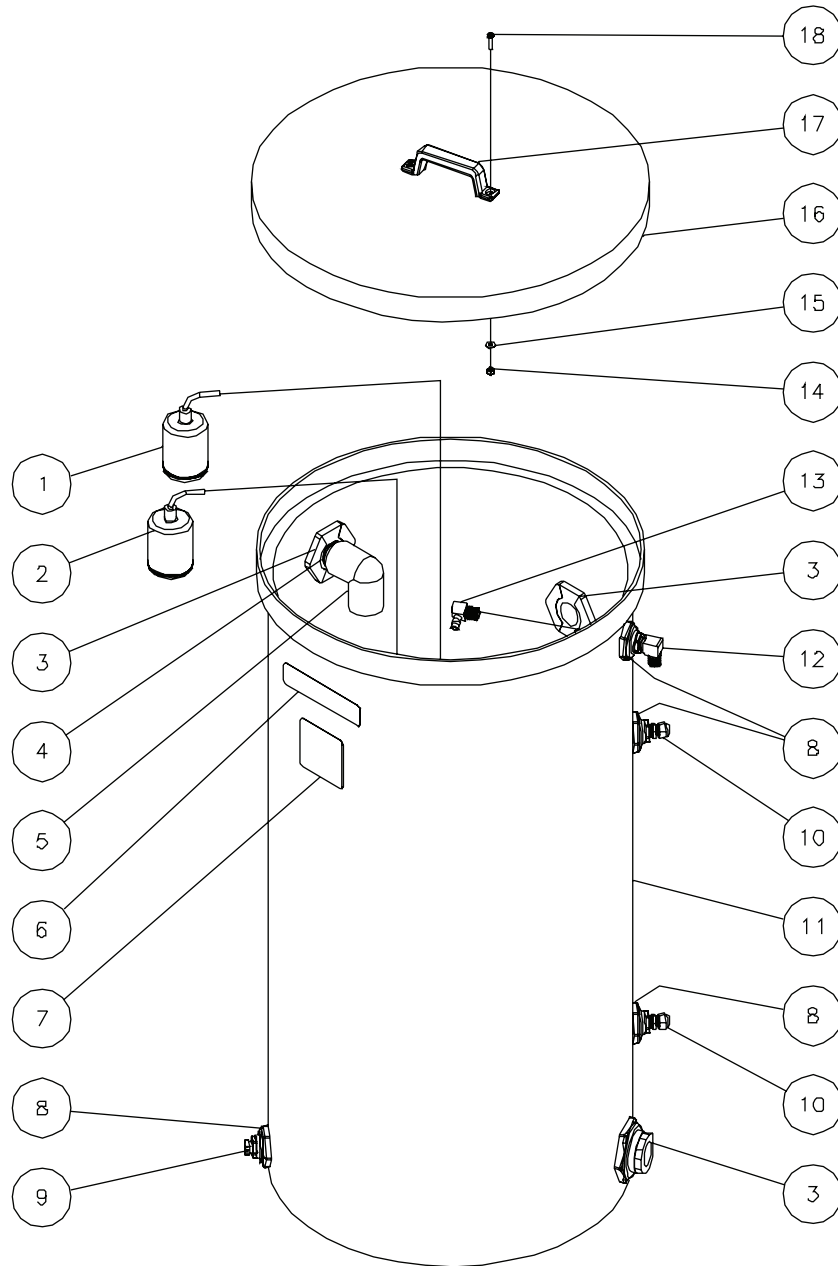
POLISHING FITLER TO PRODUCT TANK PLUMBING-011507-PJH



POLISHING FILTER TO PRODCT TANK-011507-PJH

PLUMBING: POLISHING FILTER TO PRODUCT TANK			
REF. #	DESCRIPTION	PART#	QTY.
1	Nipple	55-1674	1
2	Elbow	55-1610	1
3	Pipe *(One Foot Required)	55-1685	1
4	Union (Inc. 25-0448)	55-1645	1
-	O-ring	25-0448	1
5	Pipe *(One Foot Required)	55-1600	1
6	Elbow	55-1609	1
7	Adapter- Male	55-1622	1

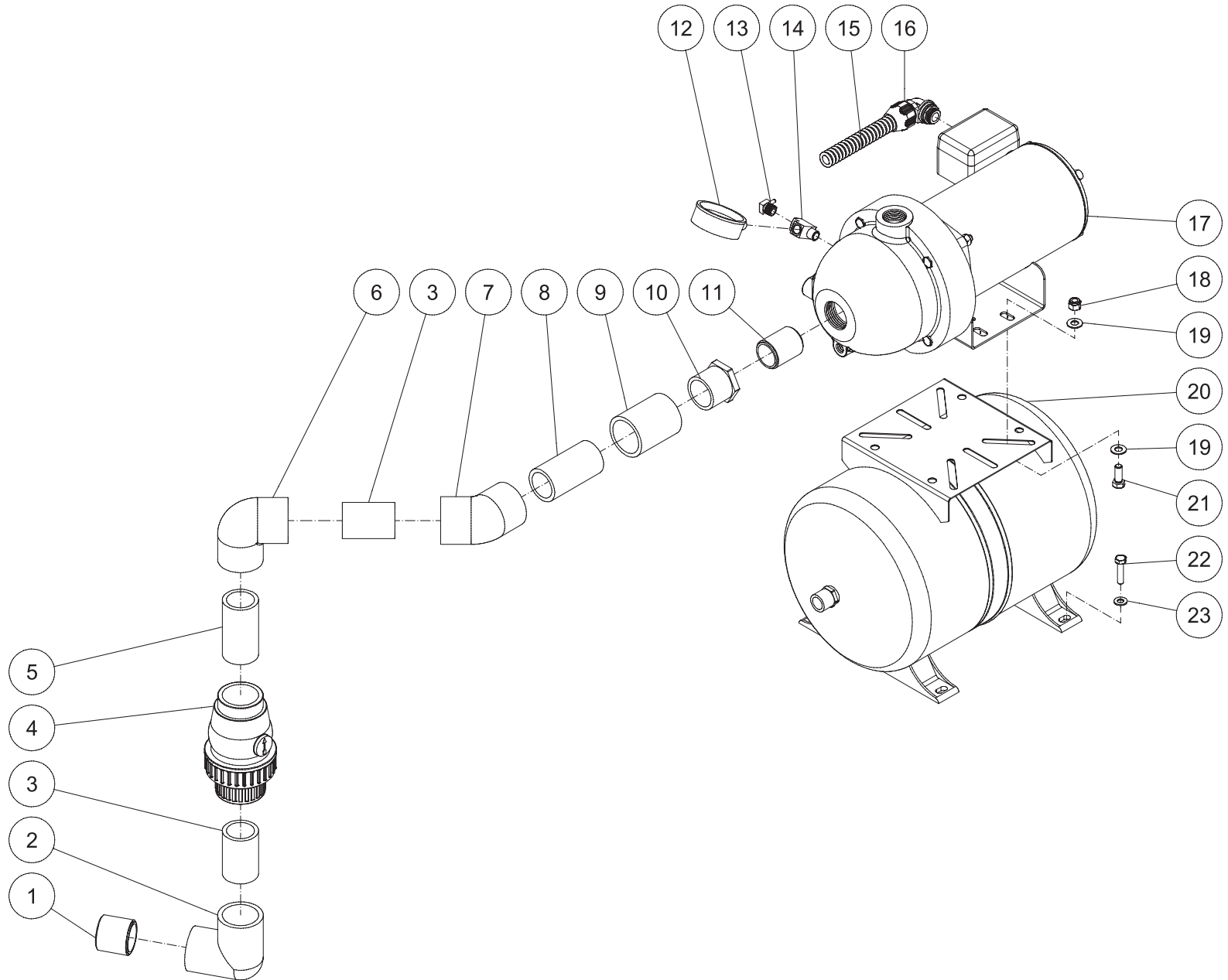
# PRODUCT TANK ASSEMBLY



PRODUCT TANK ASSY-112102-KS

PRODUCT TANK ASSEMBLY							
REF. #	DESCRIPTION	PART#	QTY.	REF. #	DESCRIPTION	PART#	QTY.
1	Float	32-0664	1	10	Strain Relief	32-0437	2
2	Float	32-0663	1	11	Vertical Tank	12-0094	1
3	Bulkhead Fitting (Inc. 25-0481)	55-1686	3	12	Elbow	23-0363	1
-	Gasket	25-0481	3	13	Elbow	23-0053	1
4	Nipple	55-1674	1	14	Locknut	30-5155	2
5	Elbow	55-1610	1	15	Washer	28-0121	2
6	Decal- Product Tank	34-1153	1	16	Cover	12-0097	1
7	Decal- Caution: Nonpotable Water	34-0868	1	17	Handle	7-0164	1
8	Bulkhead Fitting (Inc. 25-0506)	55-0886	4	18	Screw	27-5018	2
-	Gasket	25-0506	4	*Must Order in One Foot Lengths			
9	Plug	55-0840	1				

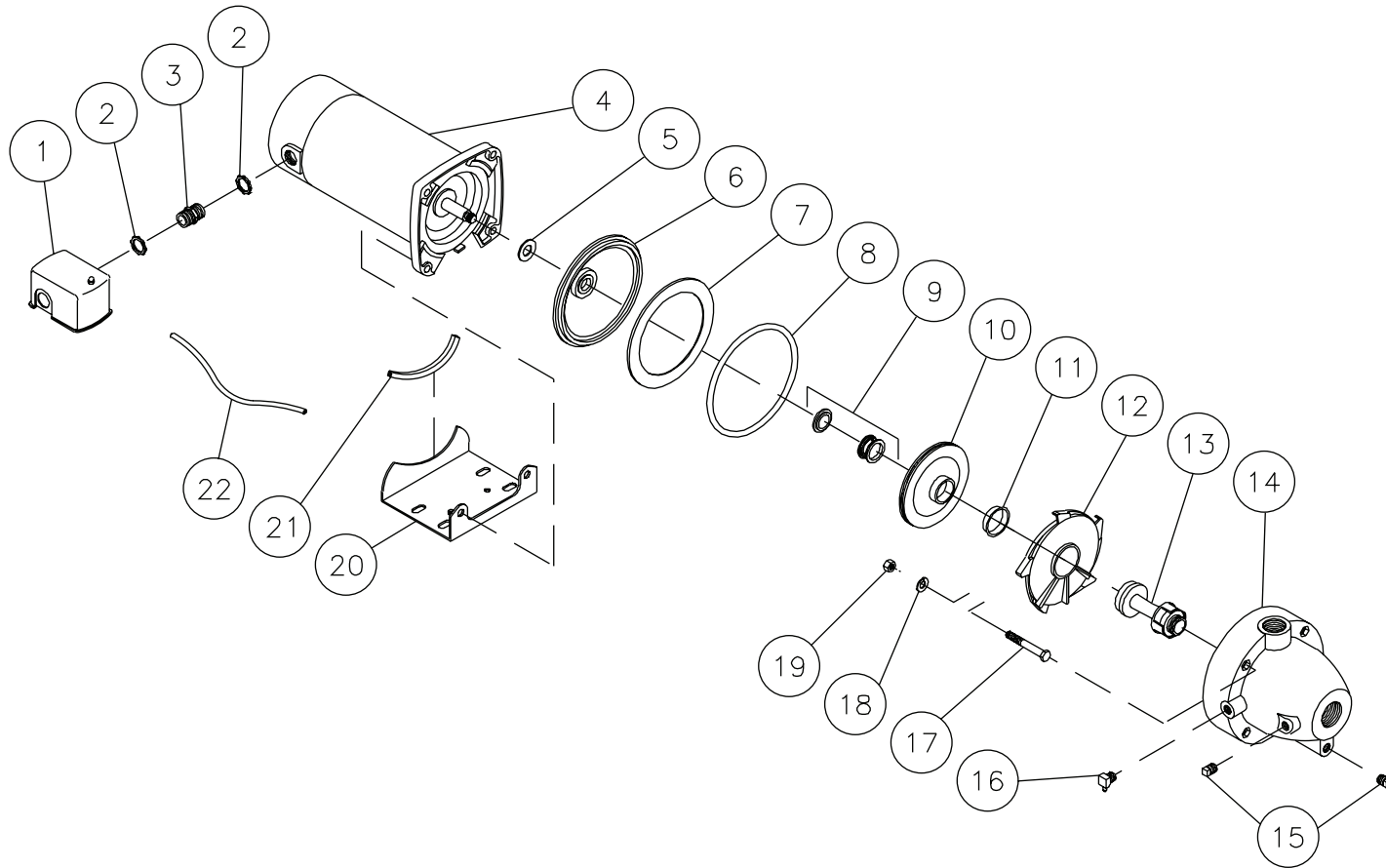
# TRANSFER PUMP ASSEMBLY (AFTER SERIAL #3000625)



TRANSFER PUMP ASSY-011507-PJH

TRANSFER PUMP AND TANK ASSEMBLY								
REF. #	DESCRIPTION	PART#	QTY.		REF. #	DESCRIPTION	PART#	QTY.
1	Nipple	55-1674	1		13	Elbow	23-0381	1
2	Elbow	55-1610	1		14	Tee	23-0127	1
3	Pipe *(One Foot Required)	55-1600	1		15	Conduit Flex *(Two Feet Required)	32-0253	1
4	Ball Check Valve	55-1652	1		16	Conduit Elbow	32-0254	1
5	Pipe *(One Foot Required)	55-1600	2		17	Transfer Pump	3-0181	1
6	Elbow	55-1609	1		18	Locknut	30-5159	4
7	Elbow	55-1612	1		19	Washer	28-0123	8
8	Pipe *(One Foot Required)	55-1600	1		20	Horizontal Pressure Tank	12-0198	1
9	Coupler	55-1614	1		21	Bolt	27-5117	4
10	Reducer Bushing	55-1628	1		22	Lag Bolt	27-5276	4
11	Nipple	55-1474	1		23	Washer	28-0122	4
12	Pressure Guage	22-0280	1		*Must Order in One Foot Lengths			

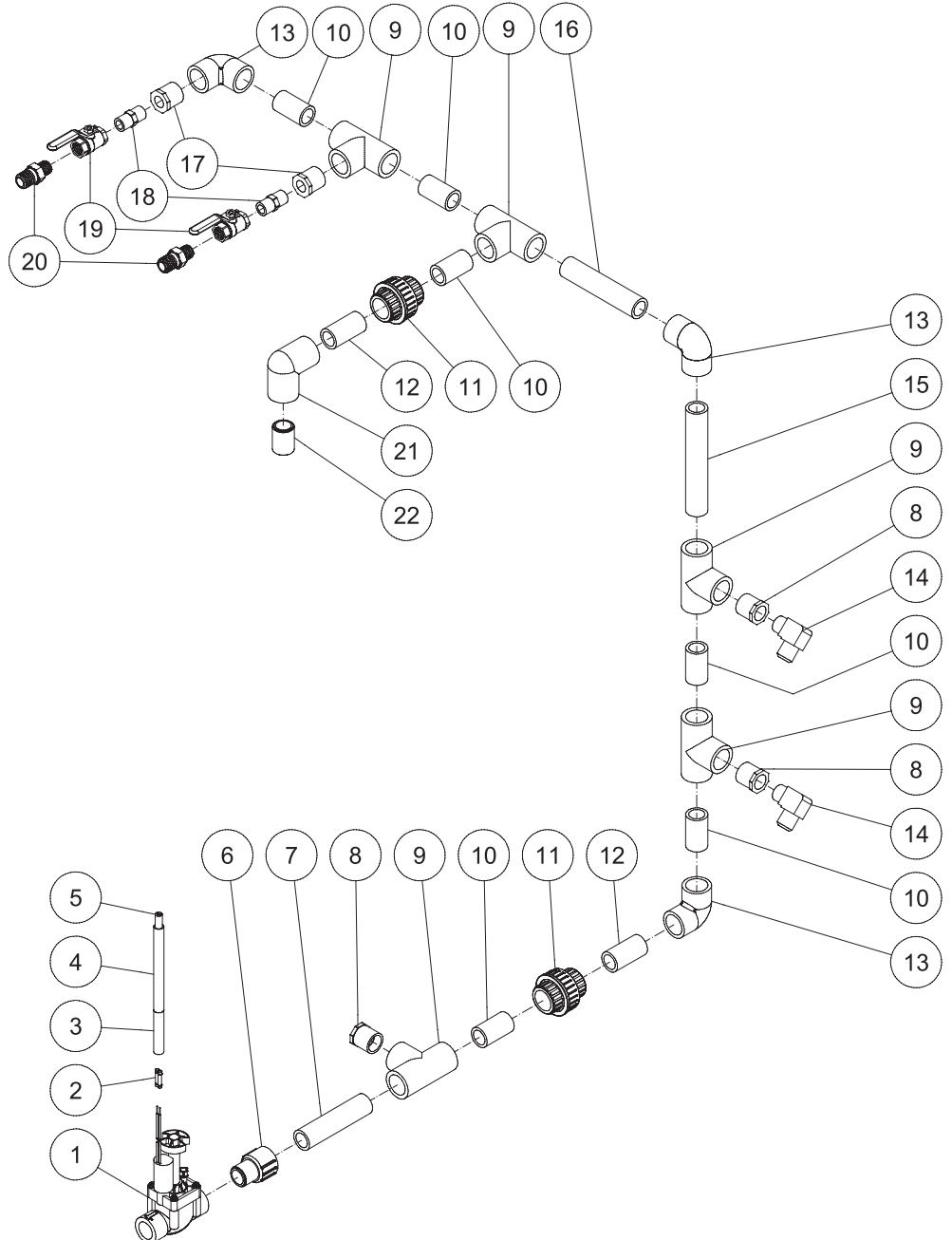
# TRANSFER PUMP (3-0181)





TRANSFER PUMP (3-0181)							
REF. #	DESCRIPTION	PART#	QTY.	REF. #	DESCRIPTION	PART#	QTY.
1	Pressure Switch	22-0293	1	13	Venturi	46-0836	1
2	Locknut	32-0108	2	14	Case	46-0837	1
3	Fitting	54-0040	1	15	Plug	39-0109	2
4	Motor (See 3-0181)	N/A Sep.	1	16	Elbow	23-0381	1
5	Rubber Washer (See 3-0181)	N/A Sep.	1	17	Bolt	27-8937	4
6	Seal Plate	26-0214	1	18	Lock Washer	29-0008	4
7	Disk	46-0834	1	19	Nut	30-0006	4
8	O-ring (See 70-0257)	N/A Sep.	1	20	Base (Includes Ref. 21)	5-0144	1
9	Seal	26-0215	1	21	Rubber Protector	33-0320	1
10	Impeller (See 70-0257)	N/A Sep.	1	22	Hose	15-0210	1
11	Wear Ring	46-0835	1		Impeller Kit (Includes 8-12)	70-0257	1
12	Diffuser (See 70-0257)	N/A Sep.	1		Transfer Pump (Includes 1-22)	3-0181	

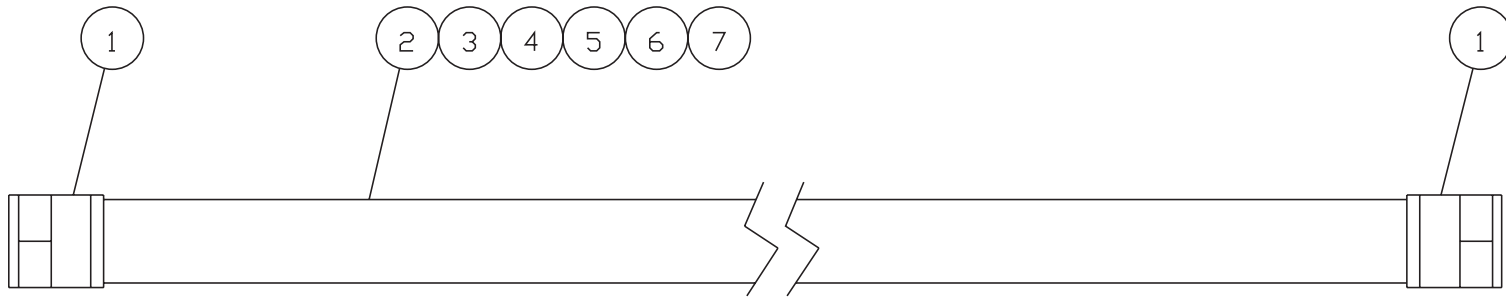
**PLUMBING: TRANSFER PUMP MANIFOLD (AFTER SERIAL #30000625)**



TRANSFER PUMP MANIFOLD-011507-PJH

PLUMBING: TRANSFER PUMP MANIFOLD							
REF. #	DESCRIPTION	PART#	QTY.	REF. #	DESCRIPTION	PART#	QTY.
1	Soleniod Valve	55-0102	1	12	Pipe *(One Foot Required)	55-1200	2
2	Connector Butt	32-0122	2	13	Elbow	55-1209	3
3	Heat Shrink *(One Foot Required)	33-0219	1	14	Elbow	23-0364	2
4	Heat Shrink *(One Foot Required)	33-0219	1	15	Pipe *(One Foot Required)	55-1200	1
5	Cord *(Five Feet Required)	32-0075	1	16	Pipe *(One Foot Required)	55-1200	1
6	Adapter-Male	55-1222	1	17	Reducer Bushing	55-1229	2
7	Pipe *(One Foot Required)	55-1200	7	18	Nipple	23-0012	2
8	Reducer Bushing	55-1228	3	19	Ball Valve	22-0278	2
9	Tee	55-1201	5	20	Nipple	23-0359	2
10	Pipe *(One Foot Required)	55-1200	6	21	Elbow	55-1210	1
11	Union (Inc. 25-0447)	55-1245	2	22	Nipple	55-1274	1
-	O-ring	25-0447	2	*Must Order in One Foot Lengths			

# HOSE ASSEMBLIES

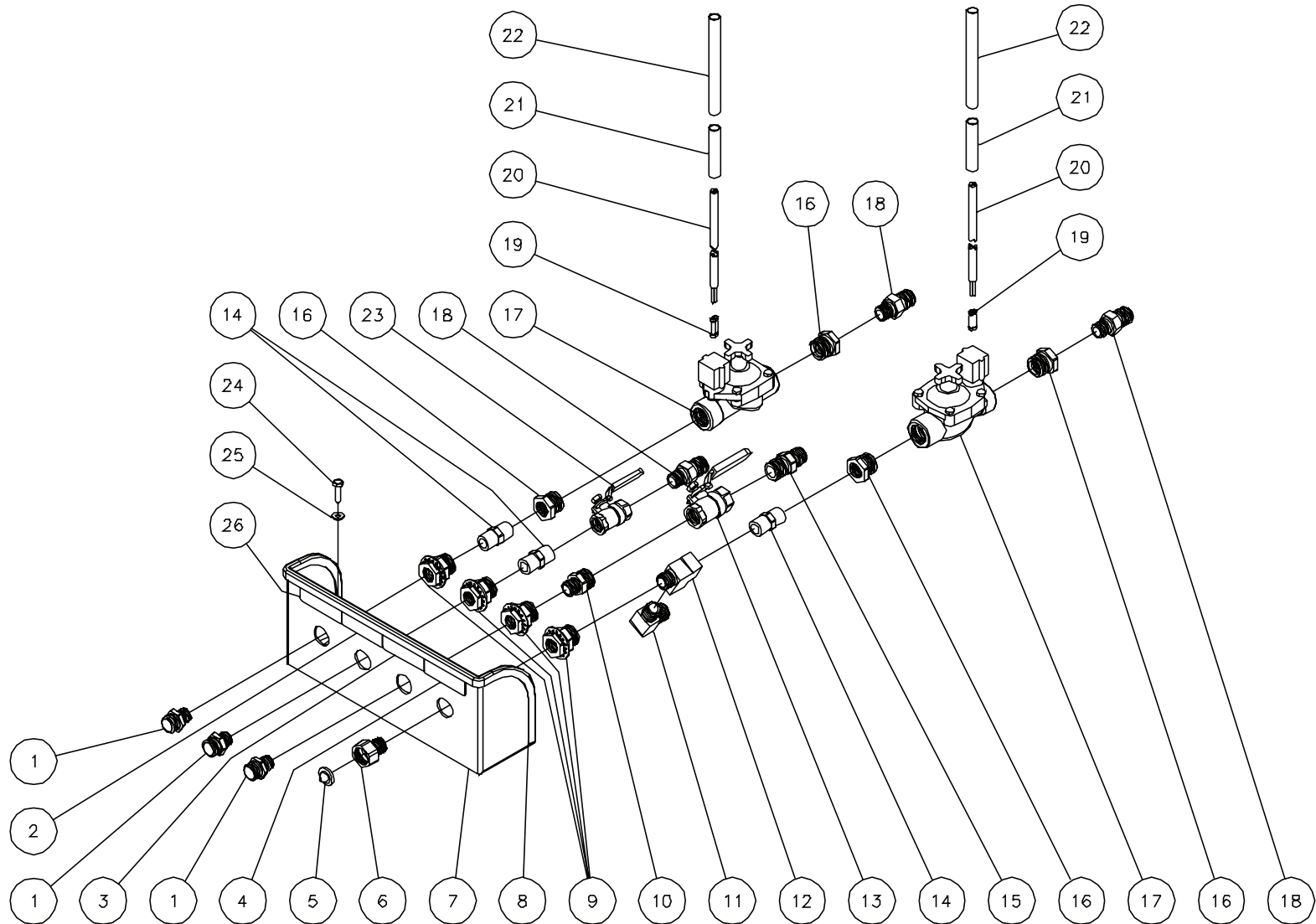


HOSE ASSY-070301-KS

HOSE ASSY-070301-KS

HOSE ASSEMBLIES				
REF. #	HOSE CONNECTION #	DESCRIPTION	PART#	QTY.
1	-	Hose Barb	23-0358	12
2	H 1	Rain Water Overflow Hose *(Two Feet Required)	15-0033	1
3	H 2	Rinse Water Hose *(Two Feet Required)	15-0033	1
4	H 3	Pressure Washer Hose *(Two Feet Required)	15-0033	1
5	H 4	Fresh Water Make-up Hose *(Five Feet Required)	15-0033	1
6	H 5	Clarifier Drain Clean-Out Hose *(Four Feet Required)	15-0033	1
7	H 6	Clarifier Tank Clean-Out Hose *(Two Feet Required)	15-0033	1
*Must Order in One Foot Lengths				

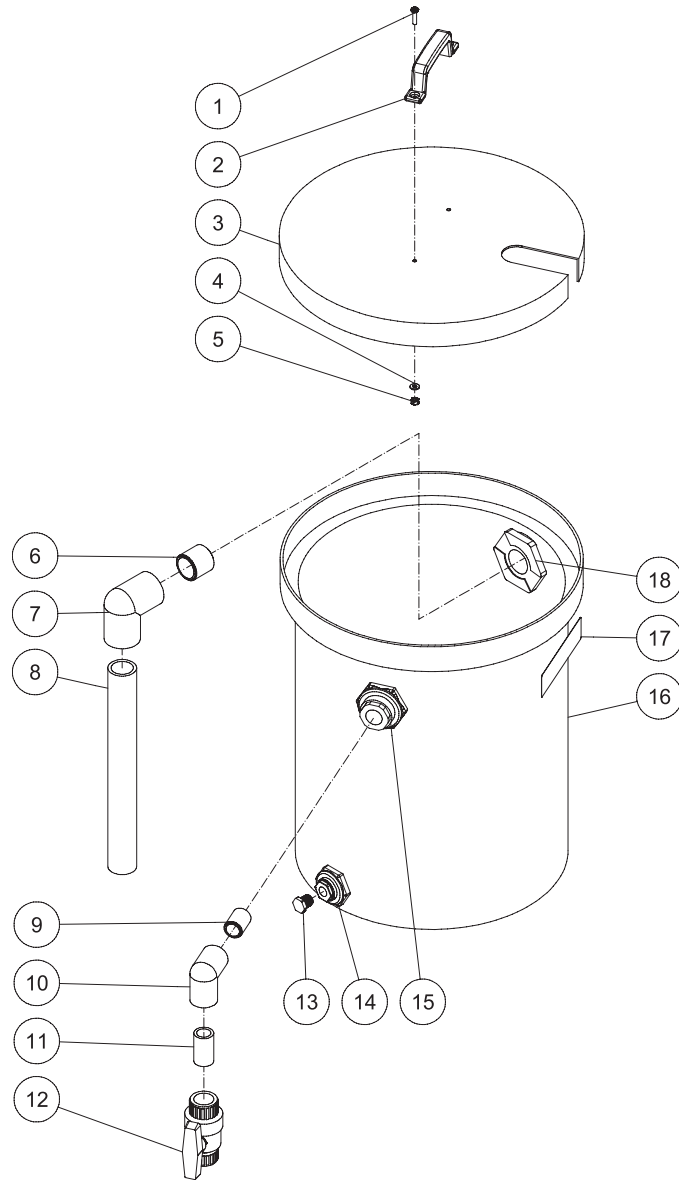
# MANIFOLD ASSEMBLY



MANIFOLD ASSY-1011003-KS

MANIFOLD ASSEMBLY								
REF. #	DESCRIPTION	PART#	QTY.		REF. #	DESCRIPTION	PART#	QTY.
1	Adapter	23-0136	3		14	Nipple	23-0012	3
2	Decal- Rinse Water Outlet	34-0876	1		15	Adapter	23-0362	1
3	Decal- Pressure Washer Outlet	34-0877	1		16	Reducer Bushing	55-1234	4
4	Decal- Fresh Water Inlet	34-0879	1		17	Diaphragm Valve	55-0019	2
5	Inlet Washer Filter	19-0001	1		18	Nipple	23-0359	3
6	Garden Hose Swivel	23-0095	1		19	Connector Butt	32-0122	4
7	Free Standing Manifold Bracket	21-0116	1		20	Cord *(Five Feet Required)	32-0075	2
8	Edging *(Three Feet Required)	33-0020	1		21	Heat Shrink *(One Foot Required)	33-0219	2
9	Tank Adapter	23-0365	4		22	Heat Shrink *(One Foot Required)	33-0219	2
10	Nipple	23-0082	1		23	Ball Valve	22-0278	1
11	Elbow	23-0363	1		24	Lag Bolt	27-5277	4
12	Tee	23-0124	1		25	Washer	28-0121	4
13	Ball Valve	22-0279	1		26	Decal- Rainwater Overflow	34-0878	1
*Must Order in One Foot Lengths								

# OIL DECANTER ASSEMBLY (AFTER SERIAL #30000122)

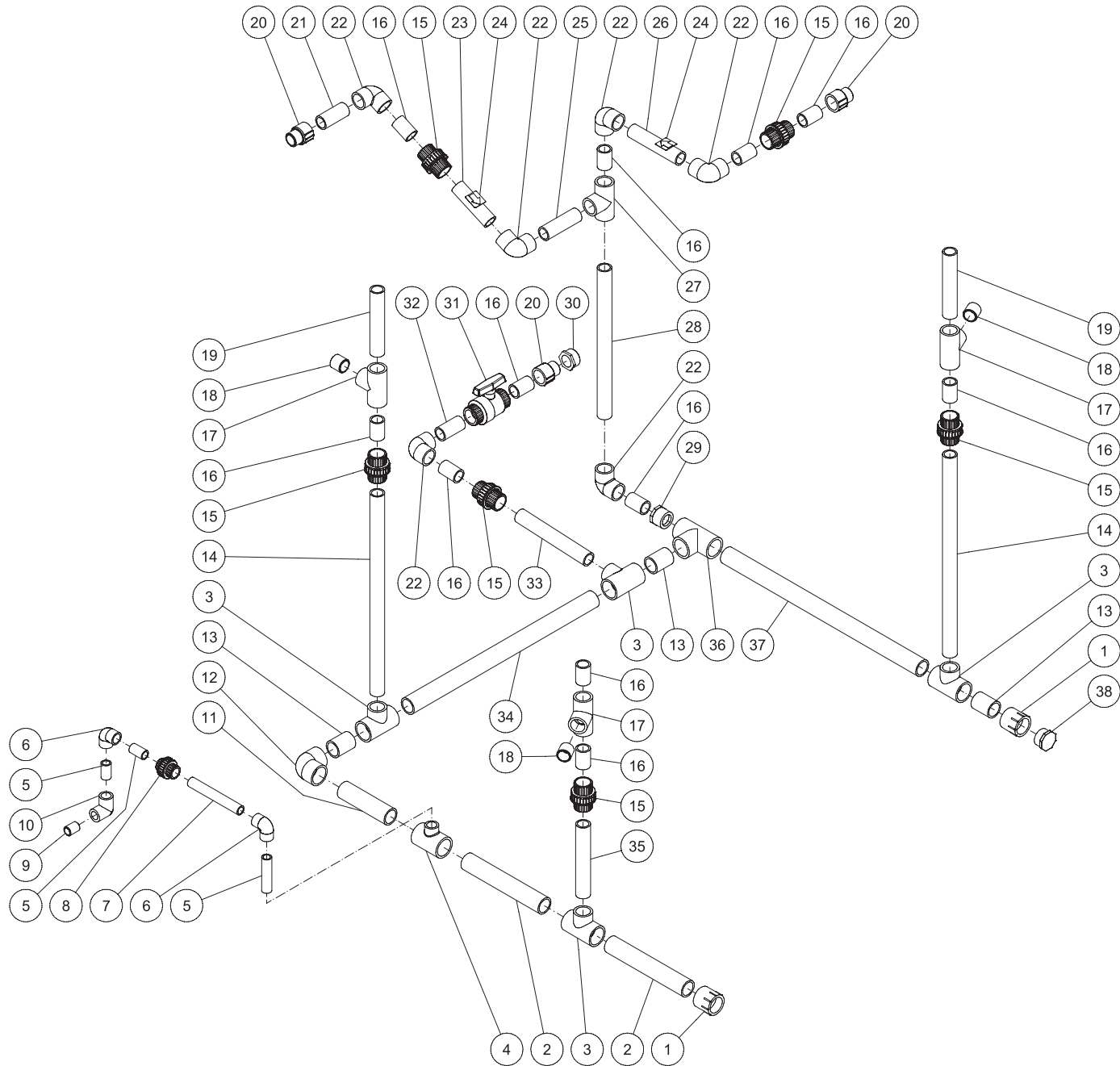




OIL DECANTER ASSY-WCP-20-0M10-011607-PJH

OIL DECANTER ASSEMBLY (AFTER SERIAL #30000122)								
REF. #	DESCRIPTION	PART#	QTY.		REF. #	DESCRIPTION	PART#	QTY.
1	Screw	27-5018	2		12	Ball Valve	55-1255	1
2	Handle	7-0164	1		13	Plug	55-0840	1
3	Decanter Lid	12-0096	1		14	Bulkhead Fitting (Inc. 25-0506)	55-0886	1
4	Washer	28-0121	2		-	Gasket	25-0506	1
5	Locknut	30-5155	2		15	Bulkhead Fitting (Inc. 25-0482)	55-1286	1
6	Nipple	55-1674	1		-	Gasket	25-0482	1
7	Elbow	55-1610	1		16	Replacement Tank w/Holes	12-0093	1
8	Pipe *(Two Feet Required)	55-1600	1		17	Decal- Oil Decanter (See 34-9010)	N/A Sep.	1
9	Nipple	55-1274	1		18	Bulkhead Fitting (Inc. 25-0481)	55-1686	1
10	Elbow	55-1210	1		-	Gasket	25-0481	1
11	Pipe *(One Foot Required)	55-1200	1			Safety Decal Kit (Inc. 17)	34-9010	
*Must Order in One Foot Lengths								

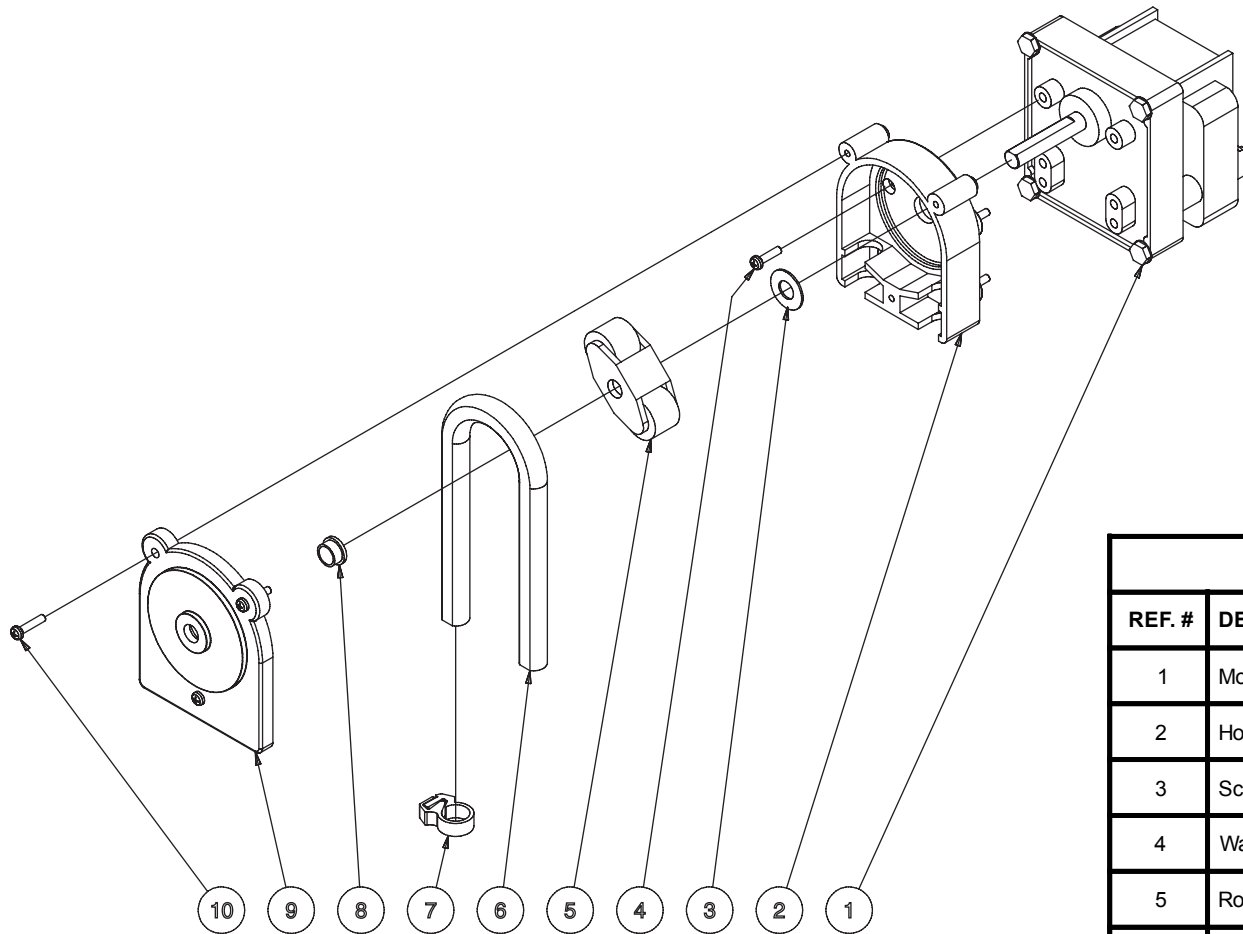
# PLUMBING: DRAIN LINE ASSEMBLY (AFTER SERIAL #30000625)



DRAIN LINE ASSY-011507-PJH

PLUMBING: DRAIN LINE ASSEMBLY								
REF. #	DESCRIPTION	PART#	QTY.		REF. #	DESCRIPTION	PART#	QTY.
1	Adapter- Female	55-1821	2		19	Pipe *(One Foot Required)	55-1600	2
2	Pipe *(Two Feet Required)	55-1800	2		20	Adapter- Male	55-1622	3
3	Tee	55-1802	4		21	Pipe *(One Foot Required)	55-1600	1
4	Tee	55-1804	1		22	Elbow	55-1609	6
5	Pipe *(One Foot Required)	55-1200	3		23	Pipe *(One Foot Required)	55-1685	1
6	Elbow	55-1209	2		24	Decal- Backwash Arrow	34-0882	2
7	Pipe *(One Foot Required)	55-1200	1		25	Pipe *(One Foot Required)	55-1600	1
8	Union (Inc. 25-0448)	55-1245	1		26	Pipe *(One Foot Required)	55-1600	1
-	O-ring	25-0447	1		27	Tee	55-1601	1
9	Nipple	55-1274	1		28	Pipe *(Two Feet Required)	55-1600	1
10	Elbow	55-1210	1		29	Reducer Bushing	55-1823	1
11	Pipe *(One Foot Required)	55-1800	1		30	Reducer Bushing	55-1833	1
12	Elbow	55-1809	1		31	Ball Valve	55-1655	1
13	Pipe *(One Foot Required)	55-1800	3		32	Pipe *(One Foot Required)	55-1600	1
14	Pipe *(Three Feet Required)	55-1600	2		33	Pipe *(Two Feet Required)	55-1600	1
15	Union (Inc. 25-0448)	55-1645	6		34	Pipe *(Three Feet Required)	55-1800	1
-	O-ring	25-0448	6		35	Pipe *(One Foot Required)	55-1600	1
16	Pipe *(One Foot Required)	55-1600	11		36	Tee	55-1801	1
17	Tee	55-1607	3		37	Pipe *(Three Feet Required)	55-1800	1
18	Nipple	55-1674	3		38	Plug	55-1840	1
*Must Order in One Foot Lengths								

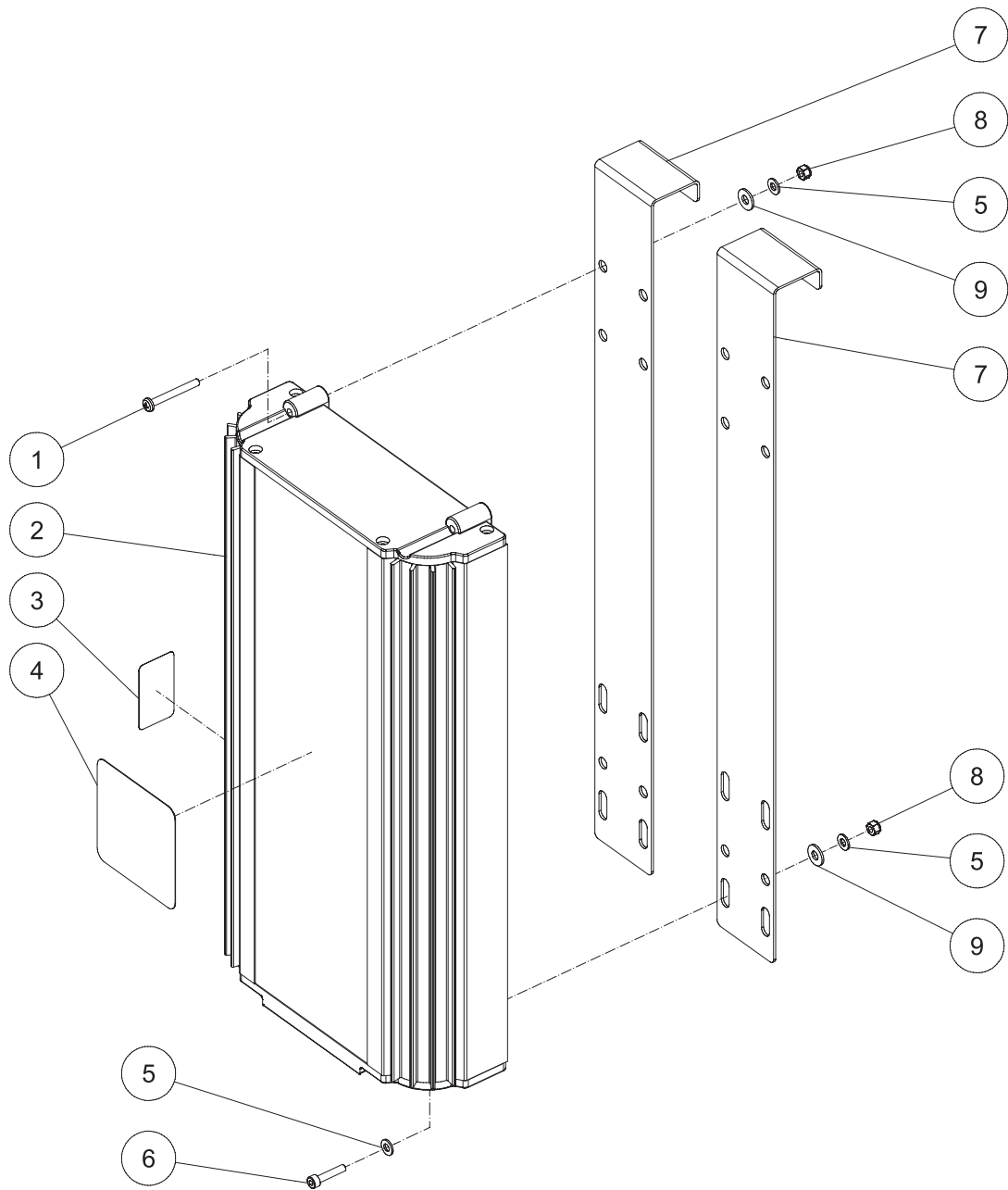
## PH/ORP PUMP (3-0182)



3-0182-042604-ASY

PH/ ORP PUMP (3-0182)			
REF. #	DESCRIPTION	PART#	QTY.
1	Motor	N/A	1
2	Housing (See 70-0245)	N/A Sep.	1
3	Screw	27-2771	4
4	Washer (See 70-0245)	N/A Sep.	1
5	Roller Bracket Assembly	46-0830	1
6	Tube	15-0205	1
7	Clamp	42-0028	1
8	Bushing	9-0080	1
9	Pump Cover (See 70-0245)	N/A Sep.	1
10	Screw (See 70-0245)	N/A Sep.	3
	PH/ORP Pump Kit (Includes 2, 4, 5, 9, 10)	70-0245	1
	PH/ORP Pump (Includes 1- 10)	3-0182	1

# OZONE GENERATOR ASSEMBLY

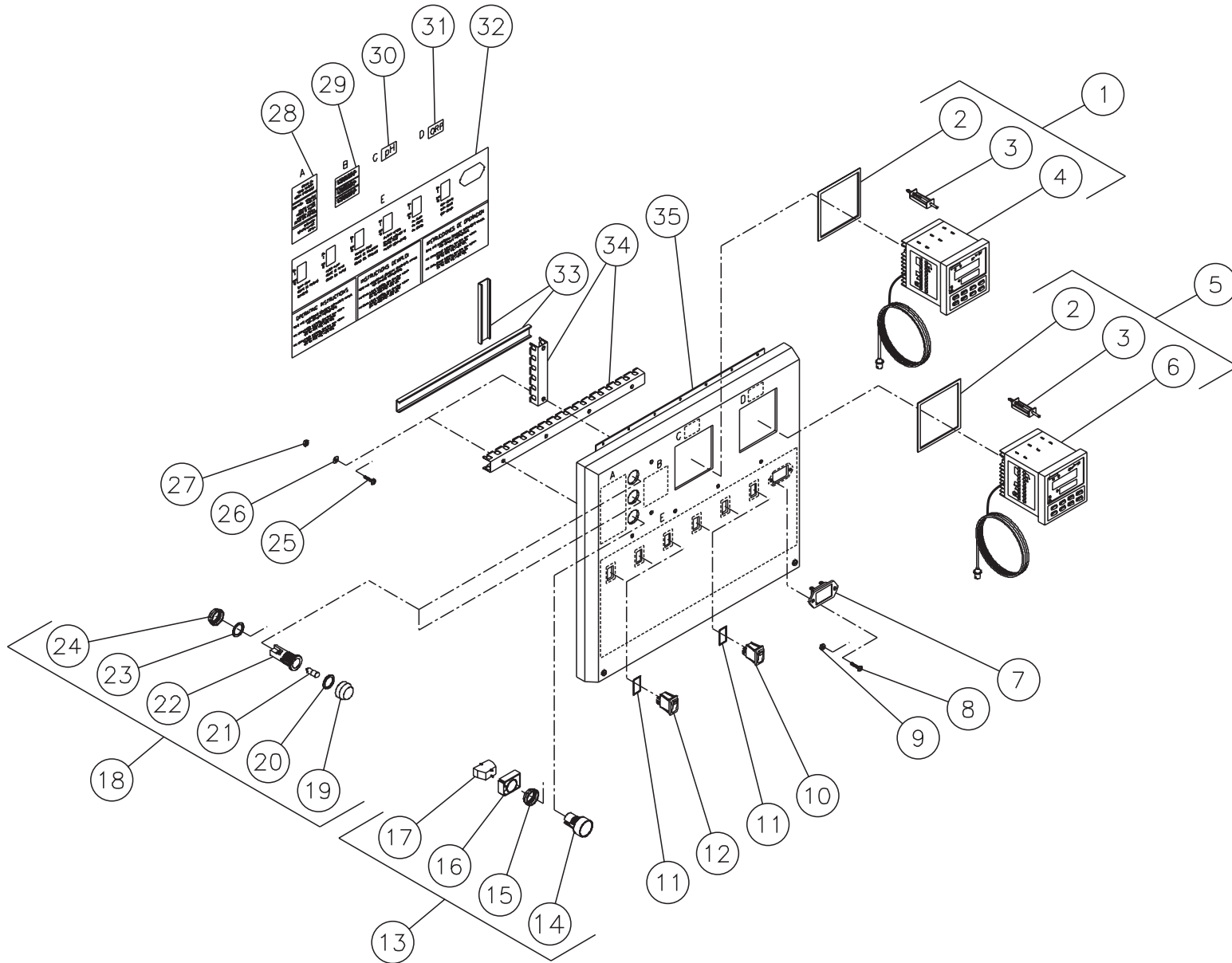


OZONE GENERATOR ASSEMBLY-011207-PJH

OZONE GENERATOR ASSY-WCP-20-0M10-011207-PJH

OZONE GENERATOR ASSEMBLY (BEFORE SERIAL #30000122)			
REF. #	DESCRIPTION	PART#	QTY.
1	Bolt	27-5032	2
2	Ozone Generator	32-0681	1
3	Decal- Air Inlet/Outlet	N/A Sep.	1
4	Decal- Warning Inhalation	N/A Sep.	1
5	Washer	28-0010	6
6	Srew	27-8930	2
7	Hanger Bracket	21-0177	2
8	Locknut	30-8152	4
9	Washer	28-0120	4

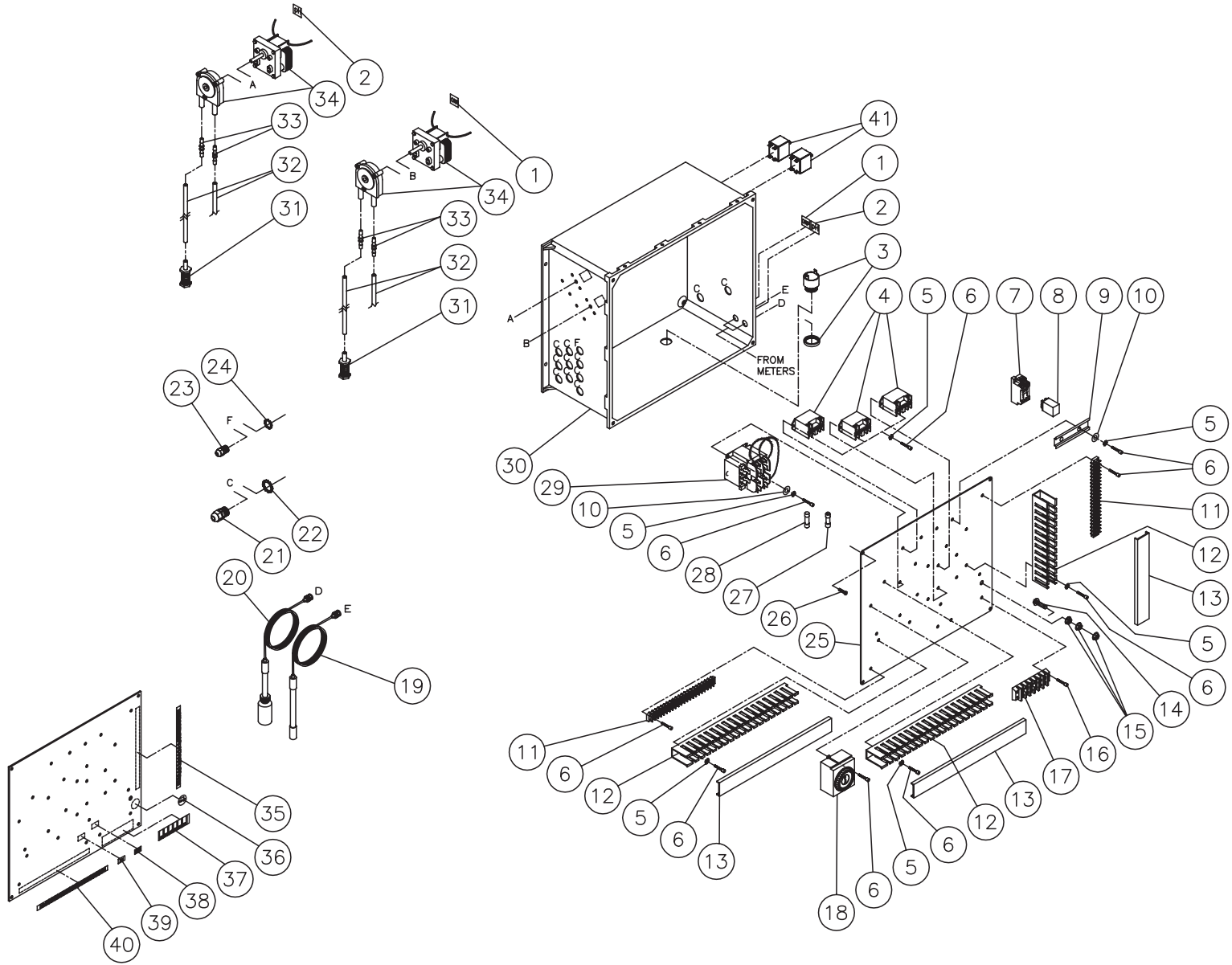
# CONTROL PANEL - LID



CONTROL PANEL - LID							
REF. #	DESCRIPTION	PART#	QTY.	REF. #	DESCRIPTION	PART#	QTY.
1	Complete pH Meter / Controller (Inc. 2-4)	32-0537	1	19	Lens (Inc. 32-0535)	N/A Sep.	1
2	Gasket (See 32-0537)	N/A Sep.	2	20	Gasket (Inc. 32-0535)	N/A Sep.	1
3	Tightener (See 32-0537)	N/A Sep.	2	21	Bulb	32-0628	1
4	pH meter / Controller (See 32-0537)	N/A Sep.	1	22	Body (See 32-0535)	N/A Sep.	1
5	Complete ORP Meter / Controller (Inc. 2, 3, 6)	32-0539	1	23	Gasket (See 32-0535)	N/A Sep.	1
6	ORP Meter / Controller (See 32-0539)	N/A Sep.	1	24	Retainer Ring (See 32-0535)	N/A Sep.	1
7	Hourmeter	32-0668	1	25	Screw	27-8927	6
8	Bolt	27-8928	2	26	Washer	28-0010	6
9	Locknut	30-8151	2	27	Locknut	30-8152	6
10	Rocker Switch- 240V	32-0552	3	28	Decal- Backwash Controls (See 34-9010)	N/A Sep.	1
11	Switch Gasket	32-0553	6	29	Decal- Backwash Instructions (See 34-9010)	N/A Sep.	1
12	Rocker Switch- 24V	32-0551	3	30	Decal- pH (See 34-9010)	N/A Sep.	1
13	Complete Push Button Switch (Inc. 14-17)	32-0534	1	31	Decal- ORP (See 34-9010)	N/A Sep.	1
14	Push Button (See 32-0534)	N/A Sep.	1	32	Decal- Control Panel Switches (See 34-9010)	N/A Sep.	1
15	Retainer Ring (See 32-0534)	N/A Sep.	1	33	Conduit Lid *(Two Feet Required)	32-0318	1
16	Body (See 32-0534)	N/A Sep.	1	34	Conduit Track *(Two Feet Required)	32-0317	1
17	Switch (See 32-0534)	N/A Sep.	1	35	Electrical Box Lid	32-0543	1
18	Complete Indicator Light (Inc. 19-24)	32-0535	2		Safety Decal Kit (Inc. 28-32)	34-9010	

\*Must Order in One Foot Lengths

# CONTROL PANEL - BASE (AFTER SERIAL #30000151)

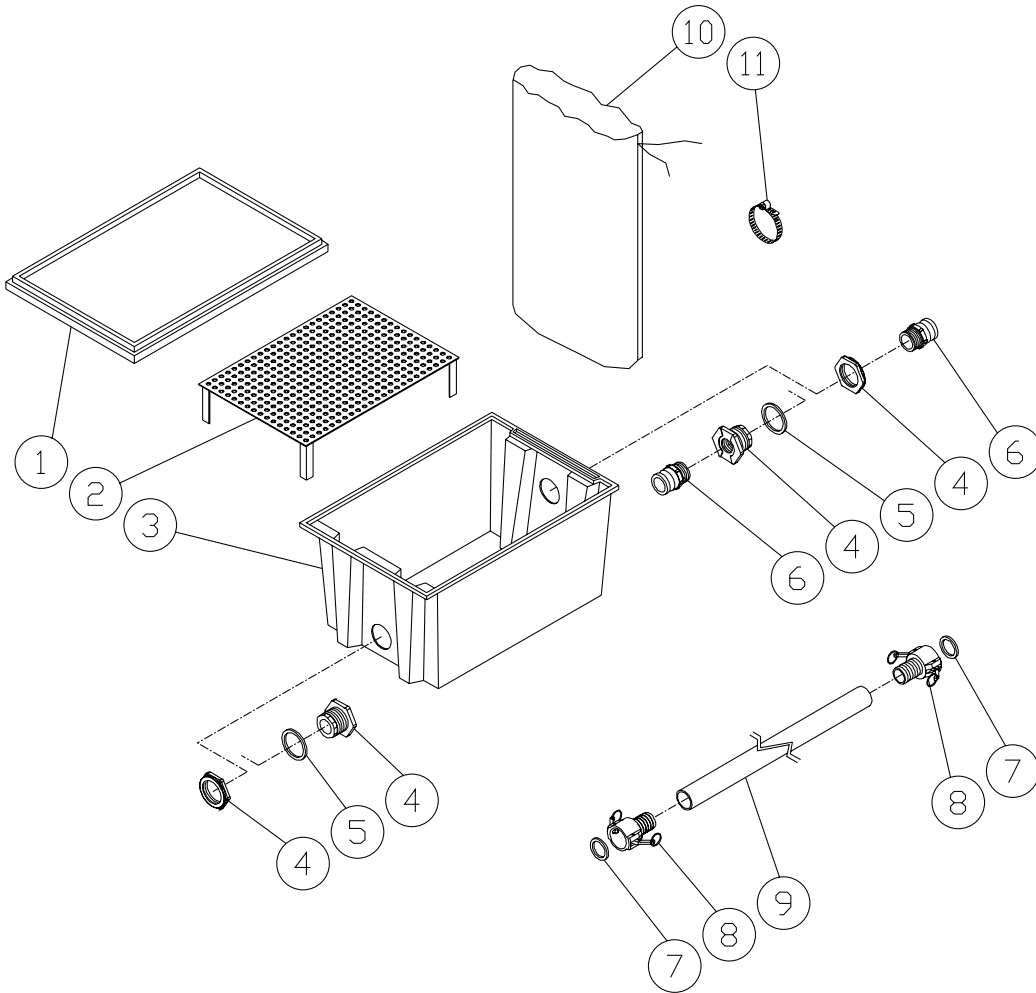


CONTROL PNL BASE-022105-ASY



CONTROL PANEL - BASE (AFTER SERIAL #30000151)							
REF. #	DESCRIPTION	PART#	QTY.	REF. #	DESCRIPTION	PART#	QTY.
1	Decal- ORP (See 34-9010)	N/A Sep.	2	23	Strain Relief	32-0586	1
2	Decal- pH (See 34-9010)	N/A Sep.	2	24	Locknut	32-0587	1
3	Audio Buzzer Alarm	32-0560	1	25	Electrical Plate	20-0484A06	1
4	Relay	32-0549	3	26	Screw	27-8933	4
5	Lockwasher	28-1009	18	27	Primary Fuse	32-0467	2
6	Screw	27-8835	24	28	Secondary Fuse	32-0323	1
7	Relay Socket	32-0548	1	29	Transformer	32-0313	1
8	Relay	32-0547	1	30	Electrcial Box w/Holes	N/A	1
9	Din Rail *(One Foot Required)	32-0316	1	31	Strainer w/ Check Valve	19-0056	2
10	Washer	28-0010	4	32	Hose *(Fourty Feet Required)	15-0021	1
11	Terminal Strip	32-0463	2	33	Connector	55-0022	4
12	Conduit Track *(Three Feet Required)	32-0555	1	34	Pump	3-0182	2
13	Conduit Lid *(Three Feet Required)	32-0318	1	35	Decal- Terminal Strip 1-22 (See 34-9010)	N/A Sep.	1
14	Bolt	27-8898	1	36	Decal- Ground (See 34-9010)	N/A Sep.	1
15	Nut	30-3022	3	37	Decal- Terminal Strip 45-50 (See 34-9010)	N/A Sep.	1
16	Screw	27-8930	2	38	Decal- 230V (See 34-9010)	N/A Sep.	1
17	Terminal Block	32-0536	1	39	Decal- 24V (See 34-9010)	N/A Sep.	1
18	Timer	32-0544	1	40	Decal- Terminal Strip 23-44 (See 34-9010)	N/A Sep.	1
19	ORP Probe	32-0540	1	41	Switch	32-0687	2
20	pH Probe	32-0538	1		Wire Ties	33-0022	15
21	Strain Relief	32-0437	11		Safety Decal Kit (Inc. 1, 2, 35-40)	34-9010	
22	Locknut	32-0108	11	*Must Order in One Foot Lengths			

## SLUDGE BOX ASSEMBLY (855-0017)

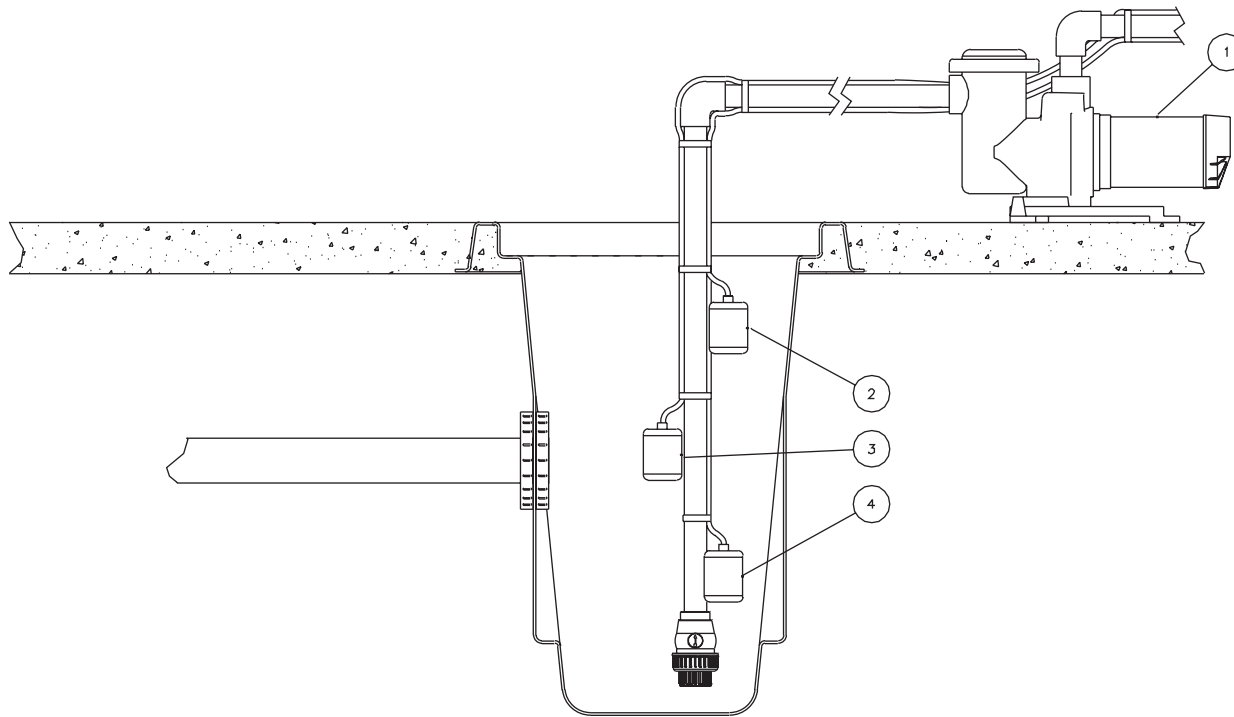


855-0017-040700-WKB

SLUDGE BOX ASSEMBLY (855-0017)			
REF. #	DESCRIPTION	PART #	QTY.
1	Lid	33-0341	1
2	Riser Plate	21-0126	1
3	Sludge Box	33-0344	1
4	Bulkhead (Includes Gasket 25-0481)	55-1886	2
5	Gasket	25-0481	2
6	Adapter	55-0054	2
7	Gasket	25-0476	2
8	Coupler (Includes Gasket 25-0476)	55-0055	2
9	Hose *(Ten Feet Required)	15-0213	1
10	Filter Bag	41-0190	5
11	Hose Clamp	42-0027	1
	Complete Sludge Box (Inc. 1-11)	855-0017	
*Must Order in One Foot Lengths			

855-0017-040700-WKB

## SUMP PIT ASSEMBLY

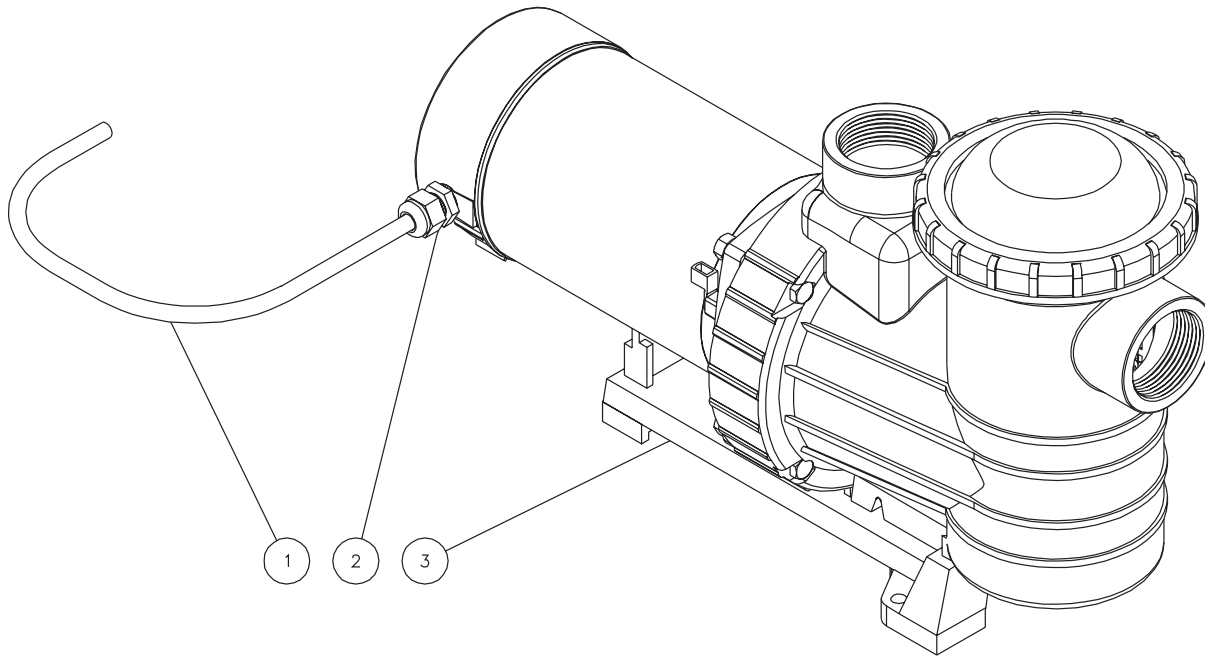


SUMP PIT ASSY-121901-KS

<b>SUMP PIT ASSEMBLY</b>			
REF. #	DESCRIPTION	PART #	QTY.
1	Sump Pump Assembly	855-0024	1
2	Float- Normally Open	32-0545	1
3	Float- Normally Closed	32-0530	1
4	Float- Normally Open	32-0528	1

SUMP PIT ASSY-121901-KS

## SUMP PUMP ASSEMBLY (855-0024)

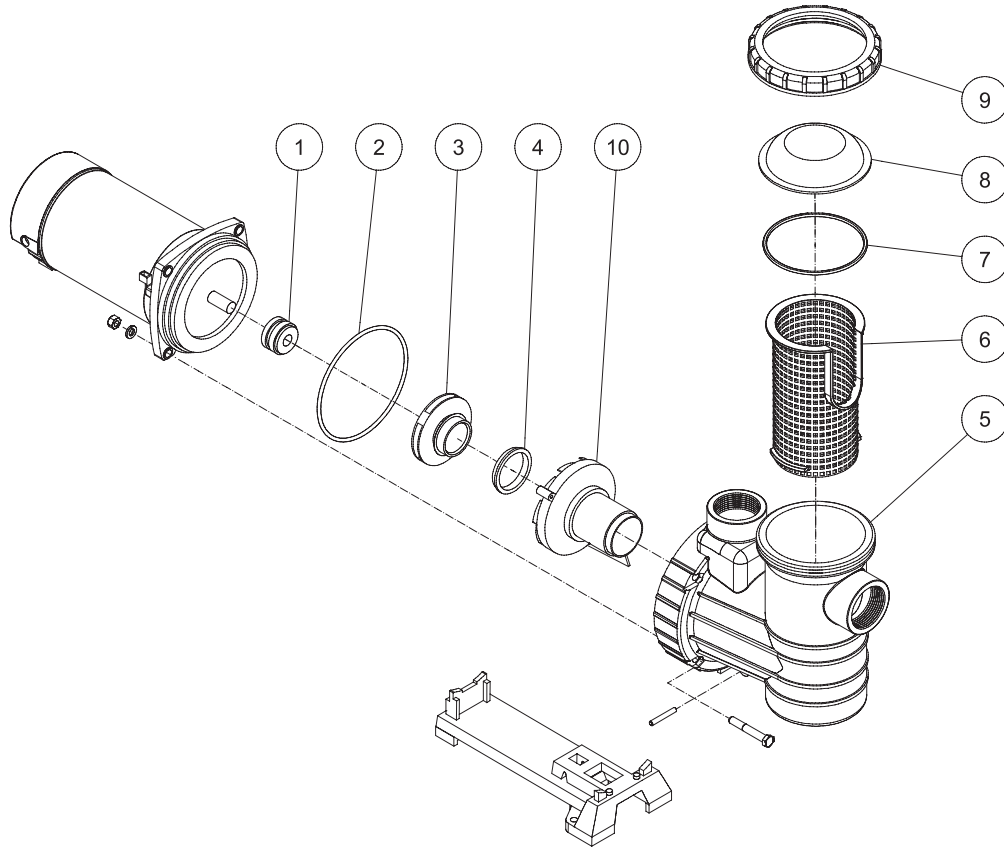


855-0024-092801-KS

<b>SUMP PUMP ASSEMBLY (855-0024)</b>			
REF. #	DESCRIPTION	PART#	QTY.
1	Cord *(Twenty Feet Required)	32-0074	1
2	Strain Relief	32-0437	1
3	Pump Strainer Basket	3-0214	1
	Terminal Fork	32-0003	2
	Terminal Ring	32-0099	1
	Complete Sump Pump Assembly	855-0024	
*Must Order in One Foot Lengths			

855-0024-061801-KS

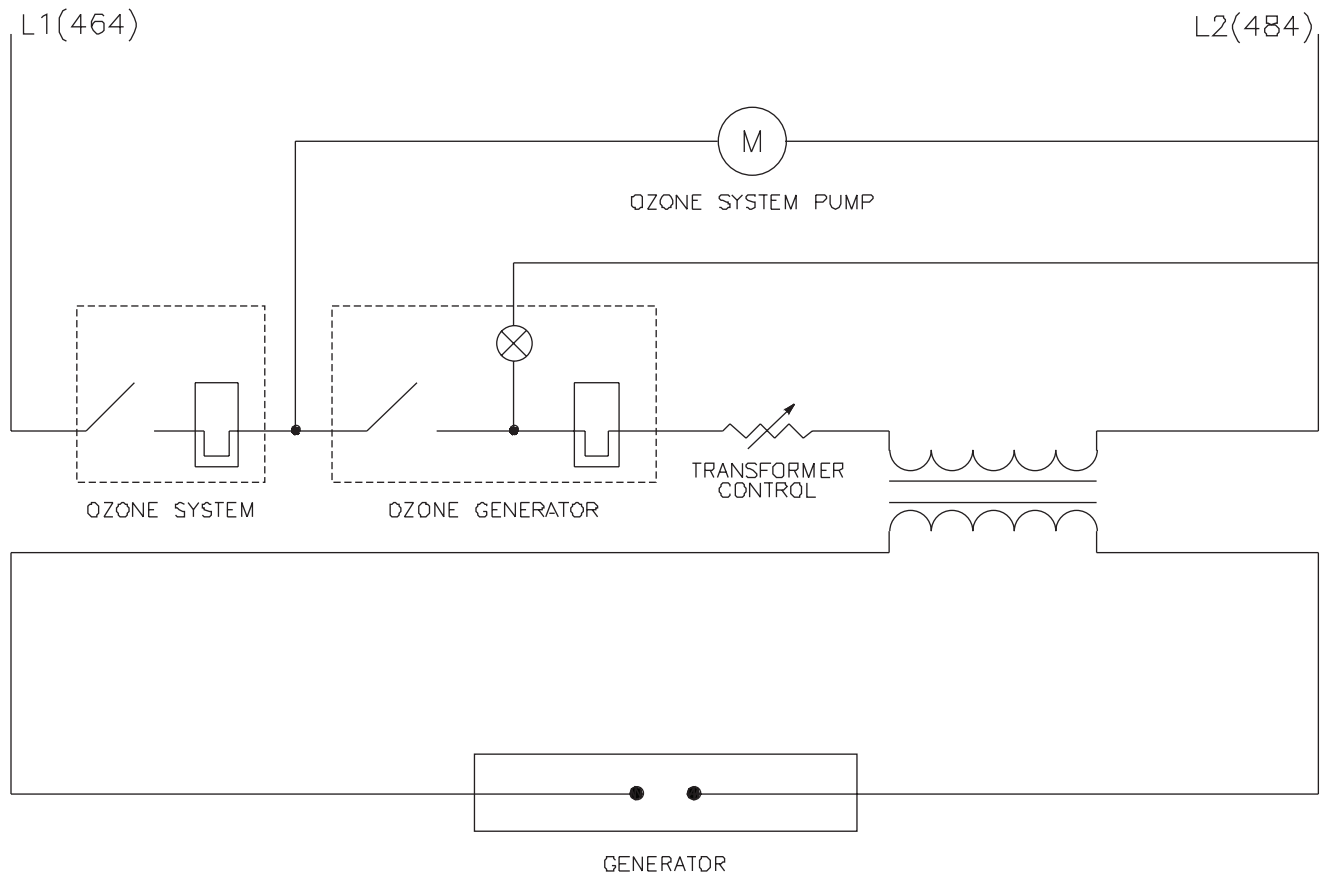
## SUMP PUMP (3-0214)



3-0214 STRAINER BASKET-020807-PJH

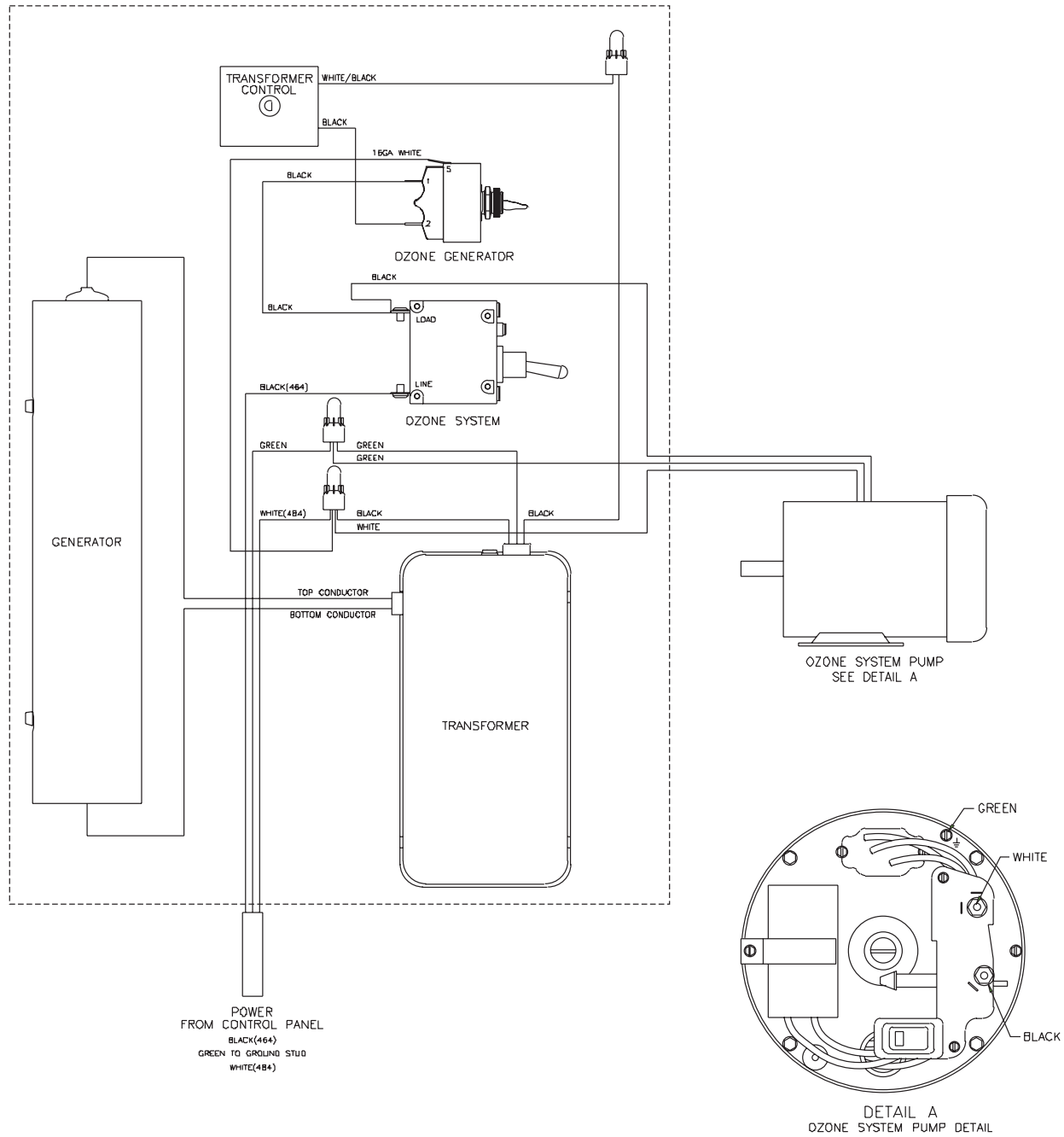
STRAINER BASKET PUMP (3-0214)			
REF. #	DESCRIPTION	PART #	QTY.
1	Mechanical Seal	26-0215	1
2	O-ring	25-0522	1
3	Impeller	46-1030	1
4	Eye Seal	26-0217	1
5	Case w/Plugs	46-1029	1
6	Strainer Basket	46-1028	1
7	O-ring	25-0521	1
8	Strainer Cover	46-1027	1
9	Strainer Ringlok	46-1026	1
10	Diffuser	46-1271	1

# WCP OZONE SYSTEM SCHEMATIC



WCP OZONE SCHEMATIC-062601-KS

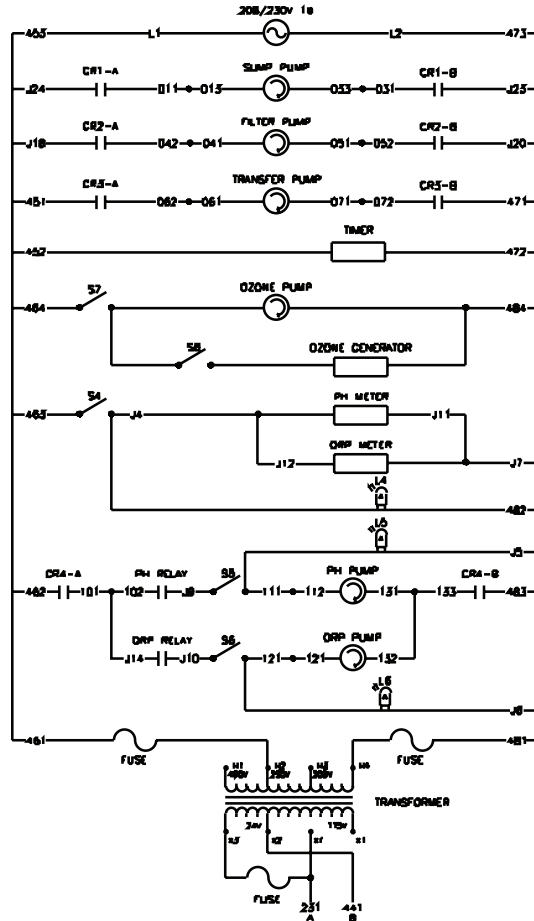
# WCP OZONE SYSTEM DIAGRAM



WCP OZONE DIAGRAM-062601-KS

# ELECTRICAL SCHEMATIC

230V 1ø LADDER DIAGRAM

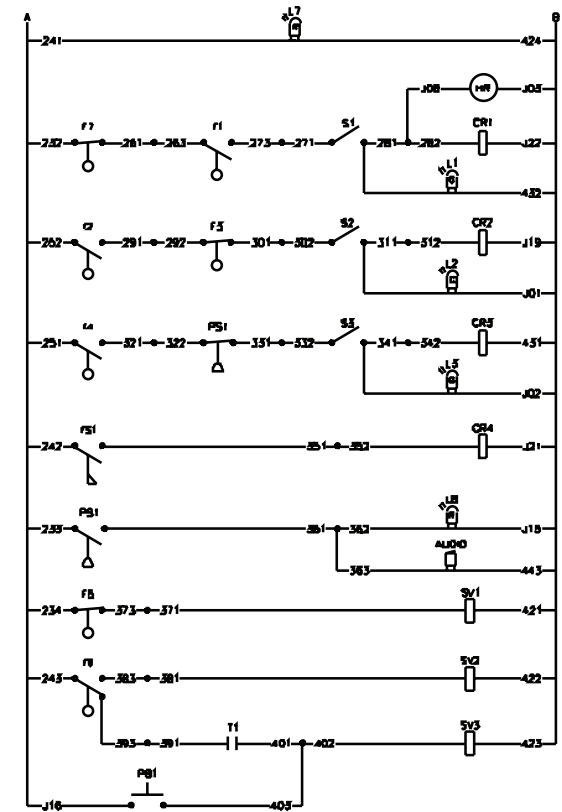


NOTE:  
LADDER DIAGRAM SHOWN WITH POWER TO UNIT AND NO WATER IN PIT

LEGEND

- CR1 = CONTROL RELAY, SUMP PUMP
- CR2 = CONTROL RELAY, FILTER PUMP
- CR3 = CONTROL RELAY, TRANSFER PUMP
- CR4 = CONTROL RELAY, PH/ORP PUMPS
- S1 = SWITCH, SUMP PUMP
- S2 = SWITCH, FILTER PUMP
- S3 = SWITCH, TRANSFER PUMP
- S4 = SWITCH, PH/ORP METERS
- S5 = SWITCH, PH PUMP
- S6 = SWITCH, ORP PUMP
- S7 = SWITCH, OZONE SYSTEM
- S8 = SWITCH, OZONE GENERATOR
- L1 = LIGHT, FOR S1
- L2 = LIGHT, FOR S2
- L3 = LIGHT, FOR S3
- L4 = LIGHT, FOR S4
- L5 = LIGHT, FOR S5
- L6 = LIGHT, FOR S6
- L7 = LIGHT, POWER ON
- L8 = LIGHT, INDICATOR BACKWASH
- PS1 S-1A = PRESSURE SWITCH 30-50 PSI, TRANSFER PUMP
- F1 = FLOAT, N.O. BLUE LOW LEVEL, SUMP PUMP, PIT
- F2 = FLOAT, N.O. BLUE HOLDING TANK, FILTER PUMP
- F3 = FLOAT, N.C. RED PRODUCT TANK, FILTER PUMP
- F4 = FLOAT, N.O. BLUE PRODUCT TANK, TRANSFER PUMP
- F5 = FLOAT, N.C. FRESHWATER MAKE-UP, PIT
- F6 = FLOAT, N.O./N.C. RAINWATER OVERFLOW/RECIRCULATION, PIT
- F7 = FLOAT, N.C. RED HOLDING TANK OVERFLOW
- FS1 = N.O. FLOW SWITCH, CHEMICAL PUMPS
- PS2 = PRESSURE SWITCH 20/30 PSI, BACKWASH
- SV1 = SOLENOID VALVE, FRESHWATER MAKE-UP
- SV2 = SOLENOID VALVE, RAINWATER OVERFLOW, DISCHARGE
- SV3 = SOLENOID VALVE, TIMER/RECIRCULATION
- T1 = TIMER (RECIRCULATION) TIMED CLOSED
- PB1 = PUSH BUTTON SWITCH, BACKWASH
- H = HOUR METER (SUMP)

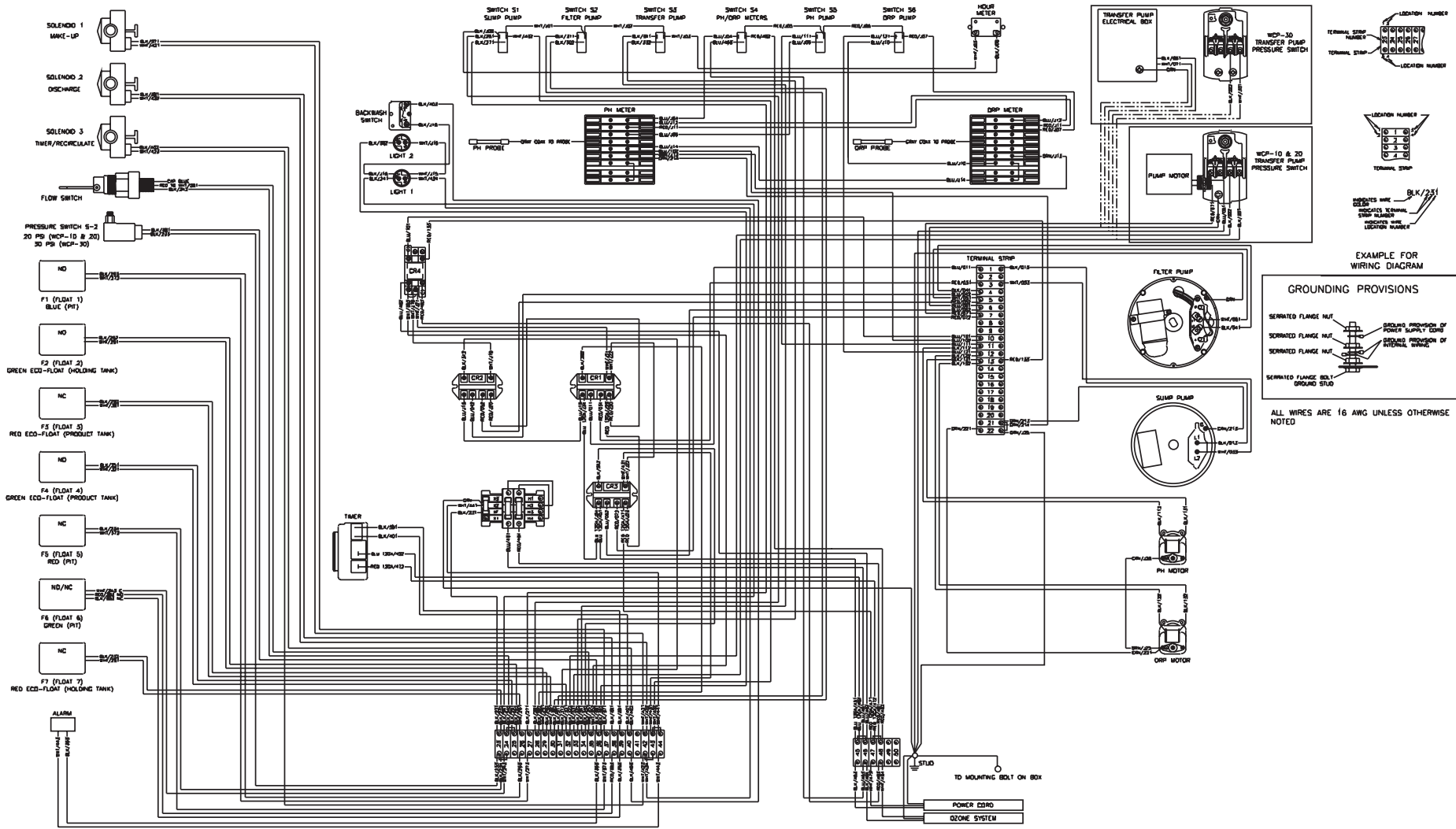
24V 1ø LADDER DIAGRAM



LADDER DIAGRAM-WCP-10-20-30-0M10-100303-ASY



# ELECTRICAL DIAGRAM



WIRE DIAGRAM-WCP-10-20-30-0M10-060302-KS

