



PARTS LIST FOR
AIR COMPRESSOR/GENERATOR/WELDER
AGW-SM14-30M
AGW-SM14-B
AGW-SV14-30M
AGW-SV14-B

ENGINE OIL GRADE: MI-T-M/VANGUARD	SAE 10W-30	COMPRESSOR OIL CAPACITY: MI-T-M/VANGUARD	24.7 oz.
ENGINE OIL CAPACITY: MI-T-M	37.2 oz.	WATTS W/COMPRESSOR: MI-T-M/VANGUARD	100 psi - 3000 watts
VANGUARD	32. oz.	WATTS W/O COMPRESSOR: MI-T-M/VANGUARD	150 psi - 2500 watts
MAXIMUM PRESSURE: MI-T-M/VANGUARD	175 PSI		
COMPRESSOR OIL GRADE: MI-T-M/VANGUARD	SAE30W Non-Detergent		

This Parts Listing has been compiled for your benefit. You can be assured your Mi-T-M Air Compressor/Generator/Welder was constructed and designed with quality and performance in mind. Each component has been rigorously tested to insure the highest level of acceptance.

The contents of this Parts Listing are based on the latest product information available at the time of publication. Mi-T-M reserves the right to make changes in price, color, materials, equipment, specifications or models at any time without notice.

WARNING

THIS IS A PROFESSIONAL AIR COMPRESSOR/GENERATOR/WELDER. CAUTION SHOULD BE OBSERVED WHEN USING OR REPAIRING THIS UNIT! READ AND FOLLOW THE SAFETY WARNINGS LISTED BELOW BEFORE ATTEMPTING ANY REPAIRS ON THIS AIR COMPRESSOR/GENERATOR!

SAFETY WARNINGS

1. NEVER alter or modify the equipment. Be sure any accessory items and system components being used will withstand the pressure developed. Serious injury may occur from an air compressor malfunction or exploding accessories if incorrect system components, attachments or accessories are used. NEVER exceed manufactures maximum allowable pressure rating of attachments. Use only genuine Mi-T-M parts for repair of your air compressor/generator/welder. Failure to do so can cause hazardous operating conditions and will VOID warranty.
2. NEVER make adjustments on machinery while the unit is connected to the engine without first removing the ignition cable from the spark plug. Turning over the machinery by hand during adjustment or cleaning might start the engine and machinery with it, causing serious injury to the operator.
3. Know how to stop and bleed pressures quickly. Be thoroughly familiar with controls. Do not operate without protective covers/ guards.
4. Before servicing the unit, turn unit off, relieve the pressure and allow the unit to cool down. Service in a clean, dry, flat area. Block the wheels to prevent the unit from moving. Be especially careful to properly dispose of any flammable materials.
5. After testing the machine, DO NOT leave the pressurized unit unattended. Shut off the unit and release pressure before leaving.

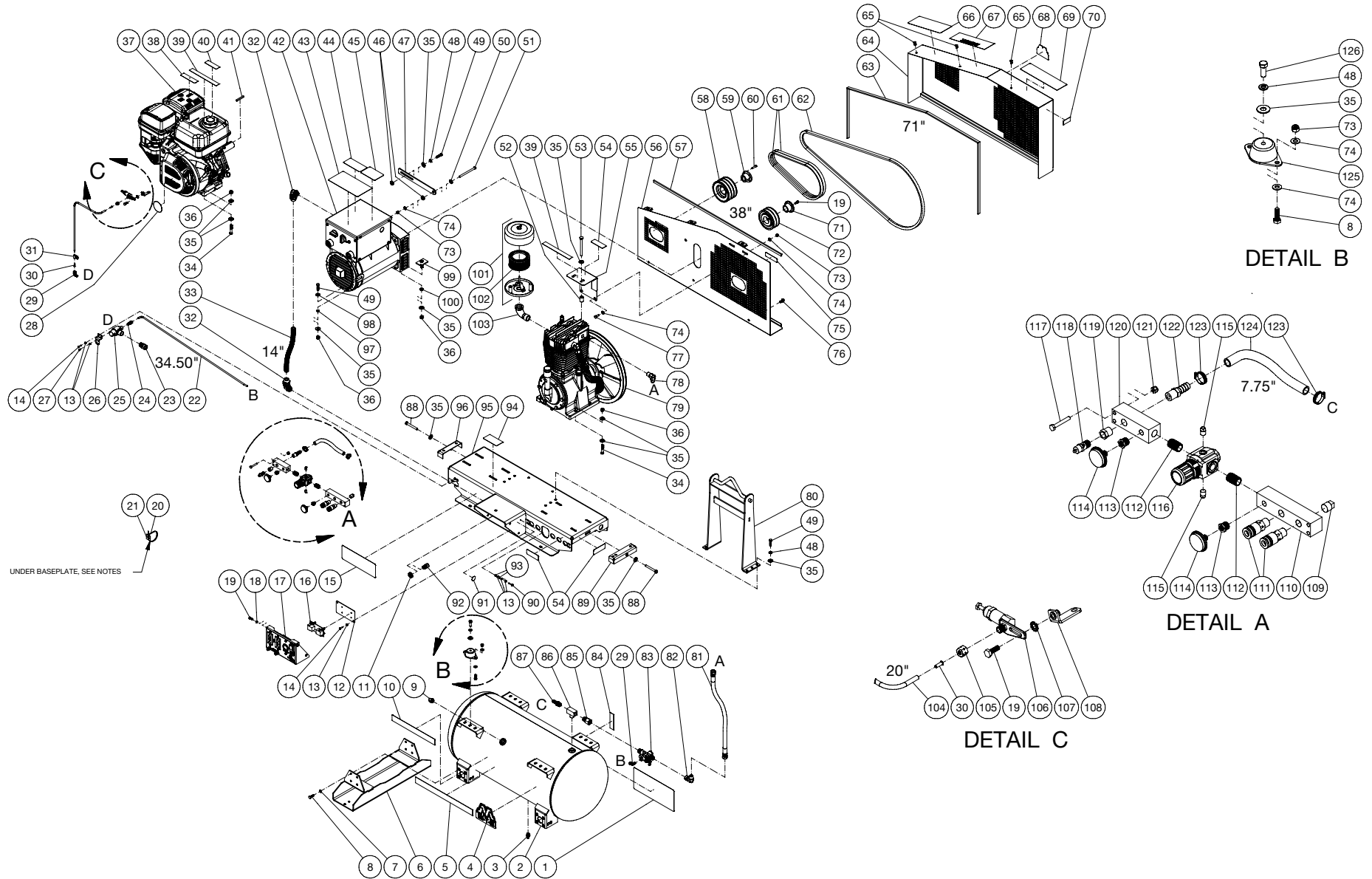
Table of Contents

SPECIFICATIONS	3
UNIT ASSEMBLY FOR AGW-SM14-30M	4
UNIT ASSEMBLY FOR AGW-SM14-B	6
UNIT ASSEMBLY FOR AGW-SV14-30M	8
UNIT ASSEMBLY FOR AGW-SV14-B	10
CONTROL BOX ASSEMBLY	12
PUMP ASSEMBLY (3-0298)	14
PILOT VALVE (22-0270)	16
WIRING DIAGRAM	18
WIRING SCHEMATIC	19

SPECIFICATIONS

MODEL NUMBER	AGW-SM14-30M	AGW-SM14-B	AGW-SV14-30M	AGW-SV14-B
Engine:	Mi-T-M		VANGUARD	
Model	R420E		25V3	
Oil Type	SAE10W-30			
Oil Capacity	37.2 oz.		32 oz.	
Low Oil Protection	Oil Sensor			
Fuel Type	Unleaded Gasoline 86 Octane Minimum			
Fuel Capacity	1.7 Gallon		1.5 Gallon	
Maximum No Load RPM	3600			
Generator:				
Watts w/ Compressor	100 psi - 3000 watts 150 psi - 2500 watts			
Watts w/o Compressor	4500			
Compressor Pump:				
Number of Cylinders	2			
Compression Stages	2			
First Stage Bore	2.17"			
Second Stage Bore	3.94"			
Stroke	3.36"			
RPM	750			
Flywheel	16.5"			
Lubrication	Splash			
Oil Quantity	24.7 oz.			
Oil Type	30 W Non Detergent			
Crankcase	Cast Iron			
Bearings	Ball			
Cylinder	Cast Iron			
Valves	Reed			
Head	Aluminum			
Filter	Canister			
Pilot Valve Setting:				
Cut-out	175 PSI			
Cut-in	125 PSI			
Air Tank:				
Capacity	30 Gallons	N/A	30 Gallons	N/A
Performance:				
CFM @ 40 PSI	17.0			
CFM @ 100 PSI	16.3			
CFM @ 175 PSI	15.7			
Maximum Pressure	175 PSI			
Pump-up Time: 0-125 PSI	-	N/A	-	N/A
Recovery Time: 90-125 PSI	-	N/A	-	N/A
Weight:				
Net	585 lbs	495 lbs	585 lbs	495 lbs
Shipping	650 lbs	560 lbs	650 lbs	560 lbs
Dimensions:				
Basic L x W x H	46" x 22" x 47"	46" x 22" x 28"	46" x 22" x 47"	46" x 22" x 28"
Shipping L x W x H	47" x 32" x 48.5"			

UNIT ASSEMBLY FOR AGW-SM14-30M

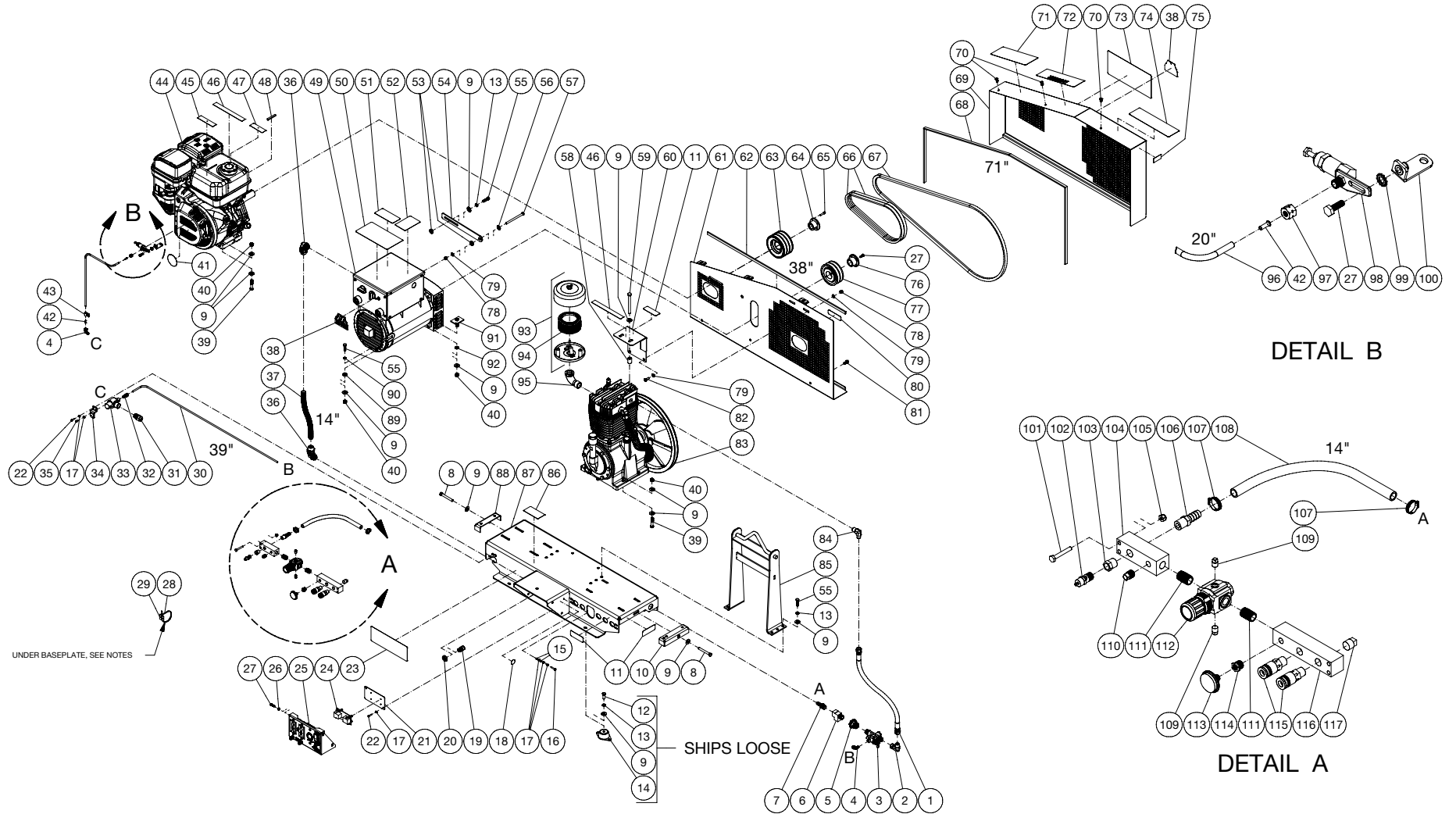


AGW-SM14-30M 081220 JVA

UNIT ASSEMBLY							
ITEM	DESCRIPTION	PART #	QTY	ITEM	DESCRIPTION	PART #	QTY
1	DECAL - OPERATIONS (SEE 71-2008)	34-1615	1	65	FASTENER	33-0197	3
2	TANK ASSEMBLY	12-0209A18	1	66	DECAL - MAINTENANCE (SEE 71-2008)	N/A	1
3	PETCOCK	23-0312	1	67	DECAL- WARNING	N/A	1
4	DECAL - MI-T-M (SEE 71-2008)	N/A	1	68	DECAL - #2M	N/A	1
5	DECAL - 17" STRIPE	N/A	1	69	DECAL - OPERATIONS (SEE 71-2008)	N/A	1
6	FOOT	20-1149A18	2	70	DECAL - MADE IN USA	34-3553	1
7	LOCKWASHER	29-0007	16	71	BUSHING	9-0094	1
8	BOLT	27-0067	24	72	SHEAVE	10-0043	1
9	PLUG	39-0016	1	73	LOCKNUT	30-0157	11
10	DECAL - UNIT INFO (SEE 71-2008)	N/A	1	74	WASHER	28-0003	21
11	ELECTRICAL LOCKNUT	32-0587	1	75	DECAL - BELTGUARD IN PLACE (SEE 71-2008)	N/A	1
12	IDLER BOARD BRACKET	13-0217A18	1	76	BOLT	27-9524	3
13	STAR WASHER	28-1009	9	77	BOLT	27-0066	2
14	SCREW	27-2811	4	78	90° ELBOW FITTING	24-0074	1
15	DECAL - SPECS (SEE 71-2008)	N/A	1	79	PUMP	3-0298	1
16	IDLER BOARD	32-1101	1	80	LIFT HOOK	13-0215A18	1
17	CONTROL PANEL ASSEMBLY	N/A SEP	1	81	HOSE	15-0275	1
18	LOCKWASHER	29-0006	4	82	90° ELBOW FITTING	24-0272	1
19	BOLT	27-0015	7	83	PILOT VALVE	22-0270	1
20	CABLE TIE	33-0022	1	84	DECAL - TANK DRAIN (SEE 71-2008)	N/A	1
21	MOUNTING BASE	32-0621	1	85	CONNECTOR	23-0072	1
22	COPPER TUBE *(THREE FEET REQUIRED)	54-0034	1	86	TEE	23-0235	1
23	STRAIN RELIEF	32-0437	1	87	BARB	23-0045	1
24	ADAPTER	23-0328	1	88	BOLT	27-0576	2
25	SOLENOID	22-0469	1	89	TIGHTNER BRACKET	20-0812A18	1
26	SOLENOID BRACKET	13-0216A18	1	90	BOLT	27-8807	1
27	SCREW	27-8933	2	91	DECAL- GROUND PICTORIAL (SEE 71-2008)	N/A	1
28	DECAL - REWIND 420CC	N/A	1	92	STRAIN RELIEF	32-0586	1
29	ELBOW	23-0316	2	93	NUT	30-6001	2
30	TUBE SUPPORT	23-0486	2	94	DECAL- SILVER STICKER	N/A	1
31	HOSE CLIP	33-0626	1	95	BASEPLATE	5-0314A18	1
32	CONDUIT ELBOW	32-0254	2	96	TIGHTENER BRACKET	20-0650A18	1
33	CONDUIT *(TWO FEET REQUIRED)	32-0253	1	97	WASHER	28-0068	1
34	BOLT	27-0121	8	98	WASHER	28-0005	1
35	WASHER	28-0023	34	99	MOUNTING BOLT	20-1274A18	2
36	LOCKNUT	30-0159	11	100	WASHER	28-0004	2
37	ENGINE - 50 STATE	1-0216	1	101	FILTER CANISTER	19-0237	1
38	DECAL - RISK OF BURNS (SEE 71-2008)	N/A	1	102	AIR FILTER	19-0226	1
39	DECAL - CHECK OIL	N/A	2	103	ELBOW	23-0088	1
40	DECAL - RISK OF FIRE (SEE 71-2008)	N/A	1	104	HOSE *(TWO FEET REQUIRED)	15-0238	1
41	KEY	43-0078	1	105	NUT	23-0315	1
42	WELDER/GENERATOR	32-1096	1	106	THROTTLE CONTROL	33-0625	1
43	DECAL - WELDER OPERATING INST. (SEE 71-2008)	N/A	1	107	LOCKWASHER	29-0110	1
44	DECAL - RISK OF SHOCK (SEE 71-2008)	N/A	1	108	IDLE CONTROL BRACKET	13-0248A18	1
45	DECAL - WELDING CHART (SEE 71-2008)	N/A	1	109	PLUG	24-0034	1
46	SPACER	33-0643	2	110	MANIFOLD BLOCK	51-0039	1
47	BRACKET	13-0254A18	1	111	QC SOCKET	17-0068	2
48	LOCKWASHER	29-0008	11	112	NIPPLE	24-0175	2
49	BOLT	27-0118	8	113	REDUCER	23-0111	2
50	WASHER	28-0022	1	114	PRESSURE GAUGE	22-0271	2
51	BOLT	27-0106	1	115	PLUG	24-0082	2
52	SPACER	33-0425	2	116	REGULATOR	22-0231	1
53	BOLT	27-8071	2	117	BOLT	27-0019	4
54	DECAL - RISK OF BURNS (SEE 71-2008)	N/A	3	118	PRESSURE RELIEF VALVE	22-0267	1
55	BRACKET	13-0247A18	1	119	REDUCER	23-0017	1
56	BELTGUARD BACK	6-0153A18	1	120	MANIFOLD BLOCK	51-0033	1
57	EDGING *(FOUR FEET REQUIRED)	33-0020	1	121	LOCKNUT	30-0155	4
58	SHEAVE	10-0011	1	122	HOSE BARB	23-0105	1
59	BUSHING	9-0005	1	123	HOSE CLAMP	42-0011	2
60	BOLT	27-0850	2	124	HOSE *(ONE FOOT REQUIRED)	15-0007	1
61	BELT	11-0049	2	125	ISOLATOR	14-0109	4
62	BELT	11-0090	1	126	BOLT	27-0117	4
63	EDGING *(2008 FEET REQUIRED)	33-0020	1	-	DECAL SET	71-2008	1
64	BELTGUARD FRONT	6-0154A18	1				

*MUST ORDER IN ONE FOOT LENGTHS

UNIT ASSEMBLY FOR AGW-SM14-B

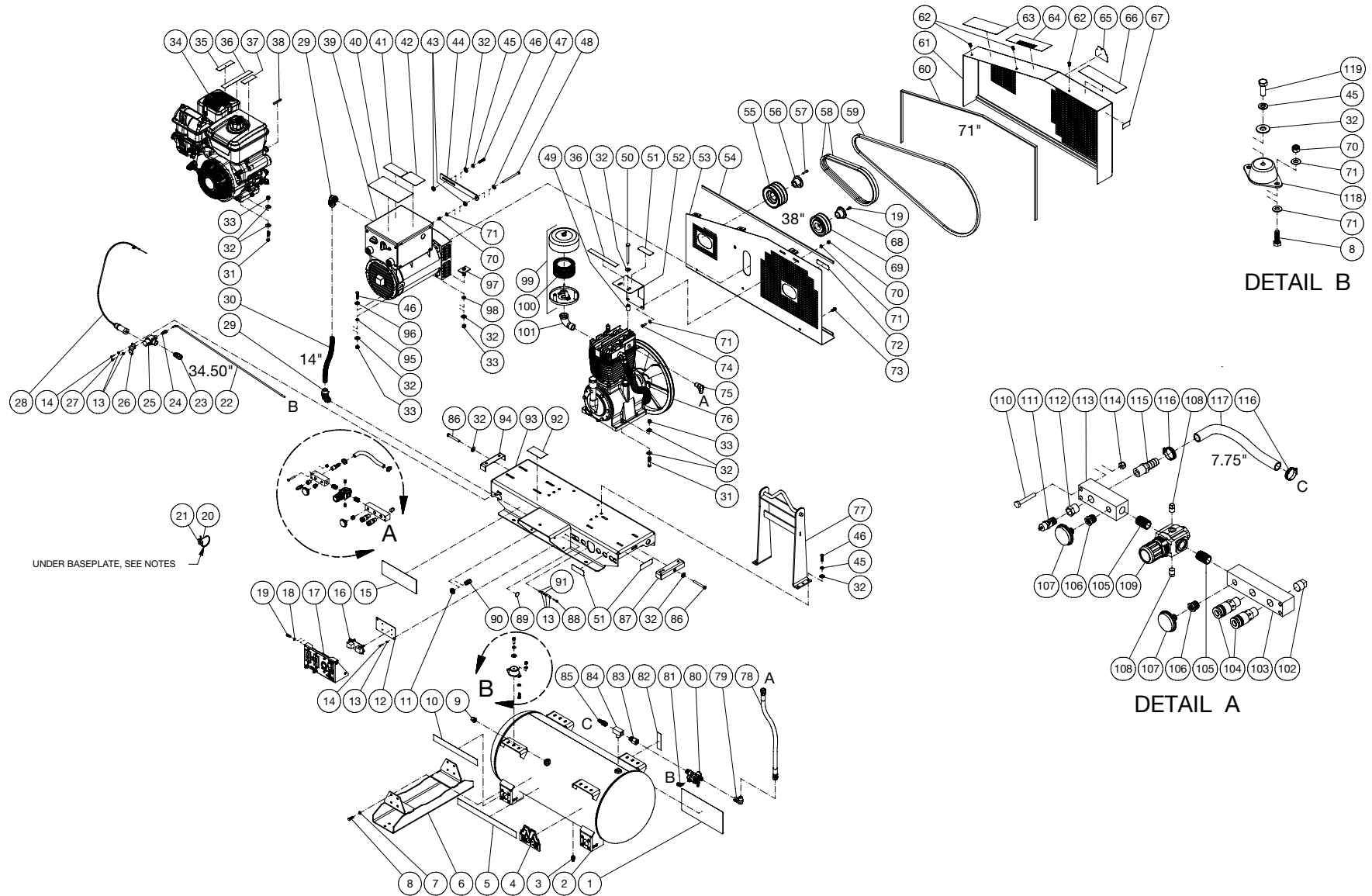


AGW-SM14-B 081320 JVA

UNIT ASSEMBLY							
ITEM	DESCRIPTION	PART #	QTY	ITEM	DESCRIPTION	PART #	QTY
1	HOSE	15-0275	1	60	BRACKET	13-0247A18	1
2	90° ELBOW FITTING	24-0272	1	61	BELTGUARD BACK	6-0153A18	1
3	PILOT VALVE	22-0270	1	62	EDGING *(FOUR FEET REQUIRED)	33-0020	1
4	ELBOW	23-0316	2	63	SHEAVE	10-0011	1
5	ADAPTER	23-0365	1	64	BUSHING	9-0005	1
6	TEE	23-0124	1	65	BOLT	27-0850	2
7	BARB	23-0045	1	66	BELT	11-0049	2
8	BOLT	27-0576	2	67	BELT	11-0090	1
9	WASHER	28-0023	34	68	EDGING *(SIX FEET REQUIRED)	33-0020	1
10	TIGHTNER BRACKET	20-0812A18	1	69	BELTGUARD FRONT	6-0154A18	1
11	DECAL - RISK OF BURNS (SEE 71-2008)	N/A	3	70	FASTENER	33-0197	3
12	BOLT	27-0117	4	71	DECAL - MAINTENANCE (SEE 71-2008)	N/A	1
13	LOCKWASHER	29-0008	11	72	DECAL- WARNING	N/A	1
14	ISOLATOR	14-0109	4	73	DECAL - OPERATIONS (SEE 71-2008)	N/A	1
15	NUT	30-6001	2	74	DECAL - OPERATIONS (SEE 71-2008)	N/A	1
16	BOLT	27-8807	1	75	DECAL - MADE IN USA	34-3553	1
17	STAR WASHER	28-1009	9	76	BUSHING	9-0094	1
18	DECAL - GROUND PICTORIAL (SEE 71-2008)	N/A	1	77	SHEAVE	10-0043	1
19	STRAIN RELIEF	32-0586	1	78	LOCKNUT	30-0157	3
20	ELECTRICAL LOCKNUT	32-0587	1	79	WASHER	28-0003	5
21	IDLER BOARD BRACKET	13-0217A18	1	80	DECAL - BELTGUARD IN PLACE (SEE 71-2008)	N/A	1
22	SCREW	27-2811	4	81	BOLT	27-9524	3
23	DECAL - SPECS (SEE 71-2008)	N/A	1	82	BOLT	27-0066	2
24	IDLER BOARD	32-1101	1	83	PUMP	3-0298	1
25	CONTROL PANEL ASSEMBLY	N/A SEP	1	84	90° ELBOW FITTING	24-0074	1
26	LOCKWASHER	29-0006	4	85	LIFT HOOK	13-0215A18	1
27	BOLT	27-0015	7	86	DECAL- SILVER STICKER	N/A	1
28	CABLE TIE	33-0022	1	87	BASEPLATE	5-0314A18	1
29	MOUNTING BASE	32-0621	1	88	TIGHTENER BRACKET	20-0650A18	1
30	COPPER TUBE *(FOUR FEET REQUIRED)	54-0034	1	89	WASHER	28-0005	1
31	STRAIN RELIEF	32-0437	1	90	WASHER	28-0068	1
32	ADAPTER	23-0328	1	91	MOUNTING BOLT	20-1274A18	2
33	SOLENOID	22-0469	1	92	WASHER	28-0004	2
34	SOLENOID BRACKET	13-0216A18	1	93	FILTER CANISTER	19-0237	1
35	SCREW	27-8933	2	94	AIR FILTER	19-0226	1
36	CONDUIT ELBOW	32-0254	2	95	ELBOW	23-0088	1
37	CONDUIT *(TWO FEET REQUIRED)	32-0253	1	96	TUBE PLASTIC *(TWO FEET REQUIRED)	15-0238	1
38	DECAL - #2M	34-2168	2	97	NUT	23-0315	1
39	BOLT	27-0121	8	98	THROTTLE CONTROL	33-0625	1
40	LOCKNUT	30-0159	11	99	LOCKWASHER	29-0110	1
41	DECAL - REWIND 420CC	N/A	1	100	IDLE CONTROL BRACKET	13-0248A18	1
42	TUBE SUPPORT	23-0486	2	101	BOLT	27-0019	4
43	HOSE CLIP	33-0626	1	102	PRESSURE RELIEF VALVE	22-0474	1
44	ENGINE - 50 STATE	1-0216	1	103	REDUCER	23-0017	1
45	DECAL - RISK OF BURNS (SEE 71-2008)	N/A	1	104	MANIFOLD BLOCK	51-0033	1
46	DECAL - CHECK OIL	N/A	2	105	LOCKNUT	30-0155	4
47	DECAL - RISK OF FIRE (SEE 71-2008)	N/A	1	106	HOSE BARB	23-0105	1
48	KEY	43-0078	1	107	HOSE CLAMP	42-0011	2
49	WELDER/GENERATOR	32-1096	1	108	HOSE *(TWO FEET REQUIRED)	15-0007	1
50	DECAL - WELDER OPERATING INST. (SEE 71-2008)	N/A	1	109	PLUG	24-0082	2
51	DECAL - RISK OF SHOCK (SEE 71-2008)	N/A	1	110	PLUG	24-0009	1
52	DECAL - WELDING CHART (SEE 71-2008)	N/A	1	111	NIPPLE	24-0175	2
53	SPACER	33-0643	2	112	REGULATOR	22-0231	1
54	BRACKET	13-0254A18	1	113	PRESSURE GAUGE	22-0271	1
55	BOLT	27-0118	8	114	REDUCER	23-0111	1
56	WASHER	28-0022	1	115	QC SOCKET	17-0068	2
57	BOLT	27-0106	1	116	MANIFOLD BLOCK	51-0039	1
58	SPACER	33-0425	2	117	PLUG	24-0034	1
59	BOLT	27-8071	2	-	DECAL SET	71-2008	1

*MUST ORDER IN ONE FOOT LENGTHS

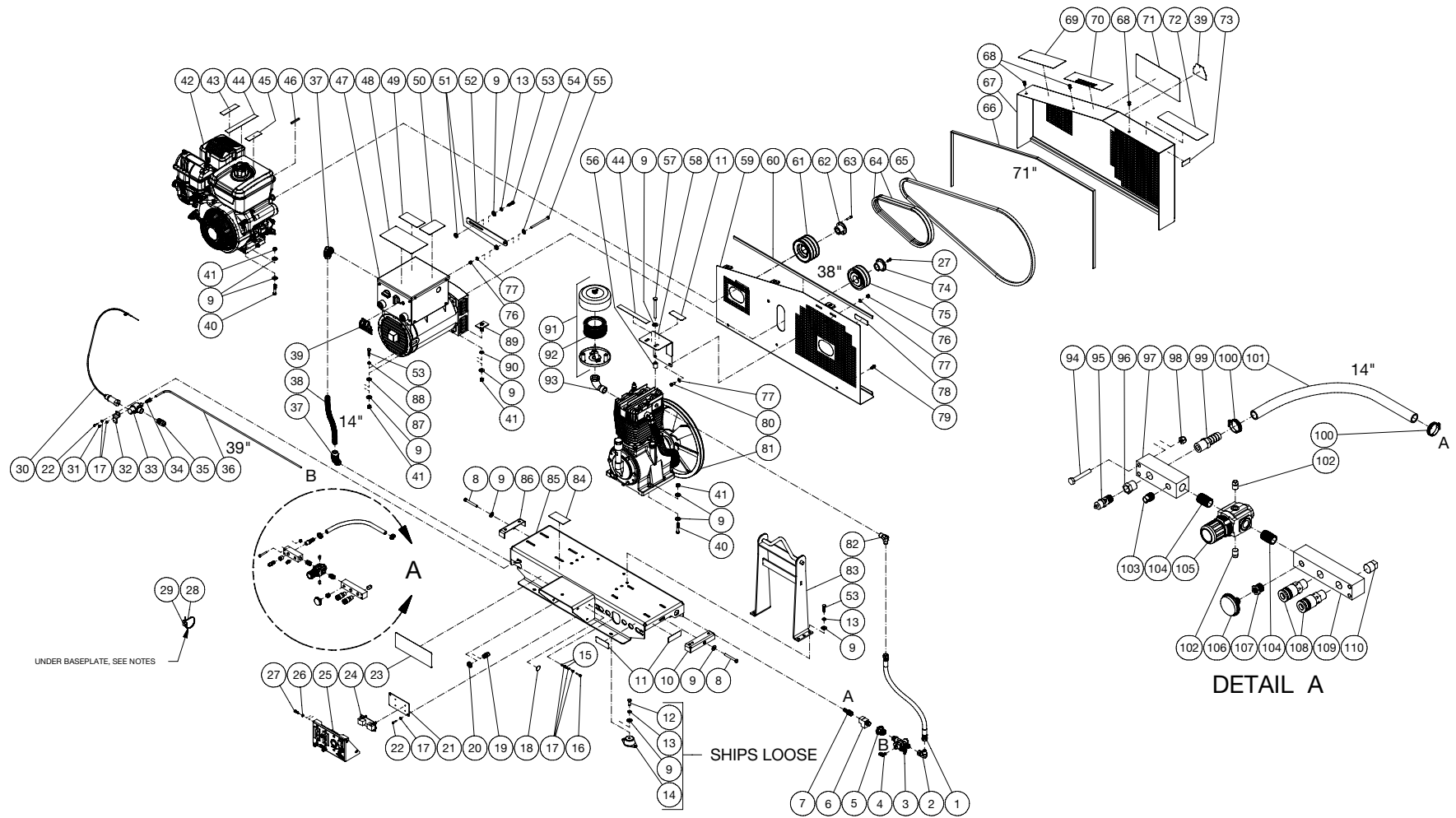
UNIT ASSEMBLY FOR AGW-SV14-30M



AGW-SV14-30M 081220 JVA

UNIT ASSEMBLY							
ITEM	DESCRIPTION	PART #	QTY	ITEM	DESCRIPTION	PART #	QTY
1	DECAL - OPERATIONS (SEE 71-2008)	N/A	1	61	BELTGUARD FRONT	6-0154A18	1
2	TANK ASSEMBLY	12-0209A18	1	62	FASTENER	33-0197	3
3	PETCOCK	23-0312	1	63	DECAL - MAINTENANCE (SEE 71-2008)	N/A	1
4	DECAL - MI-T-M (SEE 71-2008)	N/A	1	64	DECAL- WARNING	N/A	1
5	DECAL - 17" STRIPE	N/A	1	65	DECAL - #2M	N/A	1
6	FOOT	20-1149A18	2	66	DECAL - OPERATIONS (SEE 71-2008)	N/A	1
7	LOCKWASHER	29-0007	16	67	DECAL - MADE IN USA	34-3553	1
8	BOLT	27-0067	24	68	BUSHING	9-0094	1
9	PLUG	39-0016	1	69	SHEAVE	10-0043	1
10	DECAL - UNIT INFO (SEE 71-2008)	N/A	1	70	LOCKNUT	30-0157	11
11	ELECTRICAL LOCKNUT	32-0587	1	71	WASHER	28-0003	21
12	IDLER BOARD BRACKET	13-0217A18	1	72	DECAL - BELTGUARD IN PLACE (SEE 71-2008)	N/A	1
13	STAR WASHER	28-1009	9	73	BOLT	27-9524	3
14	SCREW	27-2811	4	74	BOLT	27-0066	2
15	DECAL - SPECS (SEE 71-2008)	N/A	1	75	90° ELBOW FITTING	24-0074	1
16	IDLER BOARD	32-1101	1	76	PUMP	3-0298	1
17	CONTROL PANEL ASSEMBLY	N/A SEP	1	77	LIFT HOOK	13-0215A18	1
18	LOCKWASHER	29-0006	4	78	HOSE	15-0275	1
19	BOLT	27-0015	6	79	90° ELBOW FITTING	24-0272	1
20	CABLE TIE	33-0022	1	80	PILOT VALVE	22-0270	1
21	MOUNTING BASE	32-0621	1	81	ELBOW	23-0316	1
22	COPPER TUBE *(THREE FEET REQUIRED)	54-0034	1	82	DECAL - TANK DRAIN (SEE 71-2008)	N/A	1
23	STRAIN RELIEF	32-0437	1	83	CONNECTOR	23-0072	1
24	ADAPTER	23-0328	1	84	TEE	23-0235	1
25	SOLENOID	22-0469	1	85	BARB	23-0045	1
26	SOLENOID BRACKET	13-0216A18	1	86	BOLT	27-0576	2
27	SCREW	27-8933	2	87	TIGHTNER BRACKET	20-0812A18	1
28	THROTTLE CONTROL	33-0548	1	88	BOLT	27-8807	1
29	CONDUIT ELBOW	32-0254	2	89	DECAL- GROUND PICTORIAL (SEE 71-2008)	N/A	1
30	CONDUIT *(TWO FEET REQUIRED)	32-0253	1	90	STRAIN RELIEF	32-0586	1
31	BOLT	27-0121	8	91	NUT	30-6001	2
32	WASHER	28-0023	34	92	DECAL- SILVER STICKER	N/A	1
33	LOCKNUT	30-0159	11	93	BASEPLATE	5-0314A18	1
34	ENGINE - VANGUARD	1-0242	1	94	TIGHTENER BRACKET	20-0650A18	1
35	DECAL - RISK OF BURNS (SEE 71-2008)	N/A	1	95	WASHER	28-0068	1
36	DECAL - CHECK OIL	N/A	2	96	WASHER	28-0005	1
37	DECAL - RISK OF FIRE (SEE 71-2008)	N/A	1	97	MOUNTING BOLT	20-1274A18	2
38	KEY	43-0078	1	98	WASHER	28-0004	2
39	WELDER/GENERATOR	32-1096	1	99	FILTER CANISTER	19-0237	1
40	DECAL - WELDER OPERATING INST. (SEE 71-2008)	N/A	1	100	AIR FILTER	19-0226	1
41	DECAL - RISK OF SHOCK (SEE 71-2008)	N/A	1	101	ELBOW	23-0088	1
42	DECAL - WELDING CHART (SEE 71-2008)	N/A	1	102	PLUG	24-0034	1
43	SPACER	33-0643	2	103	MANIFOLD BLOCK	51-0039	1
44	BRACKET	13-0254A18	1	104	QC SOCKET	17-0068	2
45	LOCKWASHER	29-0008	11	105	NIPPLE	24-0175	2
46	BOLT	27-0118	8	106	REDUCER	23-0111	2
47	WASHER	28-0022	1	107	PRESSURE GAUGE	22-0271	2
48	BOLT	27-0106	1	108	PLUG	24-0082	2
49	SPACER	33-0425	2	109	REGULATOR	22-0231	1
50	BOLT	27-8071	2	110	BOLT	27-0019	4
51	DECAL - RISK OF BURNS (SEE 71-2008)	N/A	3	111	PRESSURE RELIEF VALVE	22-0267	1
52	BRACKET	13-0247A18	1	112	REDUCER	23-0017	1
53	BELTGUARD BACK	6-0153A18	1	113	MANIFOLD BLOCK	51-0033	1
54	EDGING *(FOUR FEET REQUIRED)	33-0020	1	114	LOCKNUT	30-0155	4
55	SHEAVE	10-0011	1	115	HOSE BARB	23-0105	1
56	BUSHING	9-0005	1	116	HOSE CLAMP	42-0011	2
57	BOLT	27-0850	2	117	HOSE *(ONE FOOT REQUIRED)	15-0007	1
58	BELT	11-0049	2	118	ISOLATOR	14-0109	4
59	BELT	11-0090	1	119	BOLT	27-0117	4
60	EDGING *(SIX FEET REQUIRED)	33-0020	1	-	DECAL SET	71-2008	1

UNIT ASSEMBLY FOR AGW-SV14-B

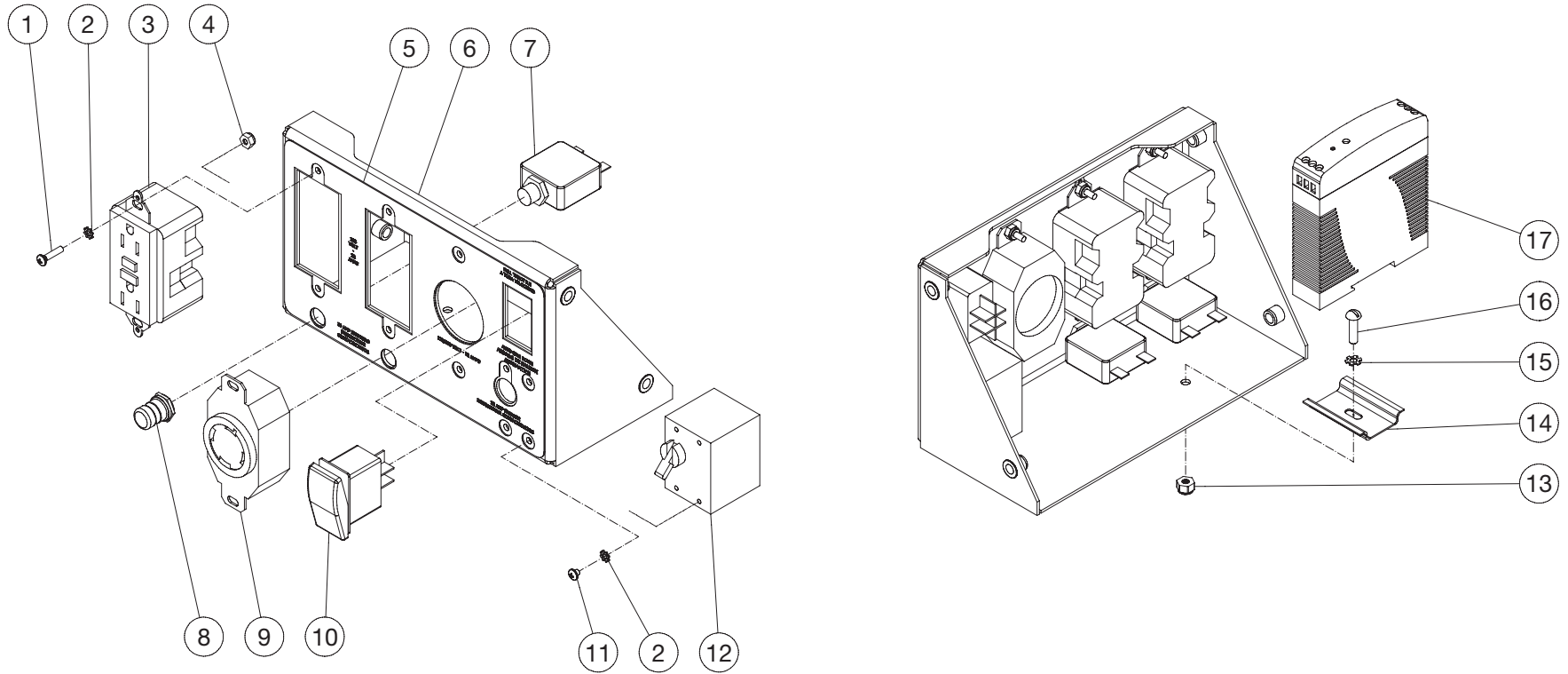


AGW-SV14-B 081320 JVA

UNIT ASSEMBLY							
ITEM	DESCRIPTION	PART #	QTY	ITEM	DESCRIPTION	PART #	QTY
1	HOSE	15-0275	1	57	BOLT	27-8071	2
2	90° ELBOW FITTING	24-0272	1	58	BRACKET	13-0247A18	1
3	PILOT VALVE	22-0270	1	59	BELTGUARD BACK	6-0153A18	1
4	ELBOW	23-0316	1	60	EDGING *(FOUR FEET REQUIRED)	33-0020	1
5	ADAPTER	23-0365	1	61	SHEAVE	10-0011	1
6	TEE	23-0124	1	62	BUSHING	9-0005	1
7	BARB	23-0045	1	63	BOLT	27-0850	2
8	BOLT	27-0576	2	64	BELT	11-0049	2
9	WASHER	28-0023	34	65	BELT	11-0090	1
10	TIGHTNER BRACKET	20-0812A18	1	66	EDGING *(SIX FEET REQUIRED)	33-0020	1
11	DECAL - RISK OF BURNS (SEE 71-2008)	N/A	3	67	BELTGUARD FRONT	6-0154A18	1
12	BOLT	27-0117	4	68	FASTENER	33-0197	3
13	LOCKWASHER	29-0008	11	69	DECAL - MAINTENANCE (SEE 71-2008)	N/A	1
14	ISOLATOR	14-0109	4	70	DECAL- WARNING	N/A	1
15	NUT	30-6001	2	71	DECAL - OPERATIONS (SEE 71-2008)	N/A	1
16	BOLT	27-8807	1	72	DECAL - OPERATIONS (SEE 71-2008)	N/A	1
17	STAR WASHER	28-1009	9	73	DECAL - MADE IN USA	34-3553	1
18	DECAL- GROUND PICTORIAL (SEE 71-2008)	N/A	1	74	BUSHING	9-0094	1
19	STRAIN RELIEF	32-0586	1	75	SHEAVE	10-0043	1
20	ELECTRICAL LOCKNUT	32-0587	1	76	LOCKNUT	30-0157	3
21	IDLER BOARD BRACKET	13-0217A18	1	77	WASHER	28-0003	5
22	SCREW	27-2811	4	78	DECAL - BELTGUARD IN PLACE (SEE 71-2008)	N/A	1
23	DECAL - SPECS (SEE 71-2008)	N/A	1	79	BOLT	27-9524	3
24	IDLER BOARD	32-1101	1	80	BOLT	27-0066	2
25	CONTROL PANEL ASSEMBLY	N/A SEP	1	81	PUMP	3-0298	1
26	LOCKWASHER	29-0006	4	82	90° ELBOW FITTING	24-0074	1
27	BOLT	27-0015	6	83	LIFT HOOK	13-0215A18	1
28	CABLE TIE	33-0022	1	84	DECAL- SILVER STICKER	N/A	1
29	MOUNTING BASE	32-0621	1	85	BASEPLATE	5-0314A18	1
30	THROTTLE CONTROL	33-0548	1	86	TIGHTENER BRACKET	20-0650A18	1
31	SCREW	27-8933	2	87	WASHER	28-0005	1
32	SOLENOID BRACKET	13-0216A18	1	88	WASHER	28-0068	1
33	SOLENOID	22-0469	1	89	MOUNTING BOLT	20-1274A18	2
34	ADAPTER	23-0328	1	90	WASHER	28-0004	2
35	STRAIN RELIEF	32-0437	1	91	FILTER CANISTER	19-0237	1
36	COPPER TUBE *(FOUR FEET REQUIRED)	54-0034	1	92	AIR FILTER	19-0226	1
37	CONDUIT ELBOW	32-0254	2	93	ELBOW	23-0088	1
38	CONDUIT *(TWO FEET REQUIRED)	32-0253	1	94	BOLT	27-0019	4
39	DECAL - #2M	34-2168	2	95	PRESSURE RELIEF VALVE	22-0474	1
40	BOLT	27-0121	8	96	REDUCER	23-0017	1
41	LOCKNUT	30-0159	11	97	MANIFOLD BLOCK	51-0033	1
42	ENGINE - VANGUARD	1-0242	1	98	LOCKNUT	30-0155	4
43	DECAL - RISK OF BURNS (SEE 71-2008)	N/A	1	99	HOSE BARB	23-0105	1
44	DECAL - CHECK OIL	N/A	2	100	HOSE CLAMP	42-0011	2
45	DECAL - RISK OF FIRE (SEE 71-2008)	N/A	1	101	HOSE *(TWO FEET REQUIRED)	15-0007	1
46	KEY	43-0078	1	102	PLUG	24-0082	2
47	WELDER/GENERATOR	32-1096	1	103	PLUG	24-0009	1
48	DECAL - WELDER OPERATING INST. (SEE 71-2008)	N/A	1	104	NIPPLE	24-0175	2
49	DECAL - RISK OF SHOCK (SEE 71-2008)	N/A	1	105	REGULATOR	22-0231	1
50	DECAL - WELDING CHART (SEE 71-2008)	N/A	1	106	PRESSURE GAUGE	22-0271	1
51	SPACER	33-0643	2	107	REDUCER	23-0111	1
52	BRACKET	13-0254A18	1	108	QC SOCKET	17-0068	2
53	BOLT	27-0118	8	109	MANIFOLD BLOCK	51-0039	1
54	WASHER	28-0022	1	110	PLUG	24-0034	1
55	BOLT	27-0106	1	-	DECAL SET	71-2008	1
56	SPACER	33-0425	2				

*MUST ORDER IN ONE FOOT LENGTHS

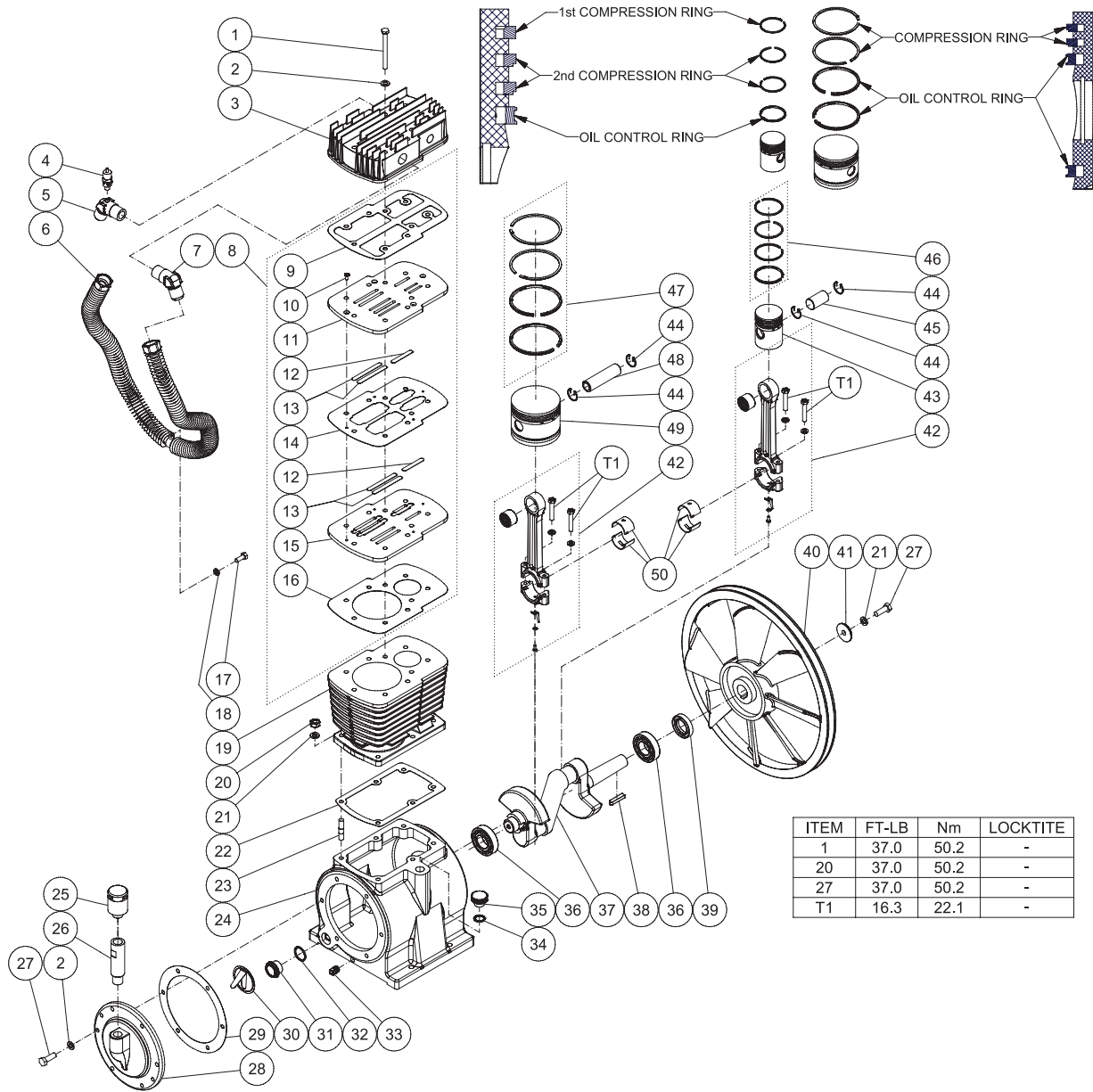
CONTROL BOX ASSEMBLY



CONTROL BOX ASSEMBLY - AGW-SM14-30M 112018 JJR

CONTROL BOX ASSEMBLY AGW-SM14-30M 112018 JJR			
CONTROL BOX ASSEMBLY			
ITEM	TITLE	PART #	QTY
1	SCREW	27-8881	6
2	LOCKWASHER	29-1013	10
3	GFCI DUPLEX RECEPTACLE	32-0830	2
4	LOCKNUT	30-0152	6
5	DECAL - AGW CONTROL PANEL	34-2665	1
6	CONTROL BOX COVER	20-1265A18	1
7	CIRCUIT BREAKER	32-0438	2
8	CIRCUIT BREAKER BOOT	32-0441	2
9	125/250 VOLT RECEPTACLE	32-0833	1
10	ROCKER SWITCH	32-1103	1
11	SCREW	27-9574	4
12	TOGGLE BREAKER - 20A	32-0835	1
13	NUT	30-0154	1
14	DIN RAIL	32-0316	1
15	STAR WASHER	28-1009	1
16	SCREW	27-2811	1
17	DC POWER SUPPLY	32-0951	1
-	WIRE KIT (NOT SHOWN)	32-9115	1

PUMP ASSEMBLY (3-0298)



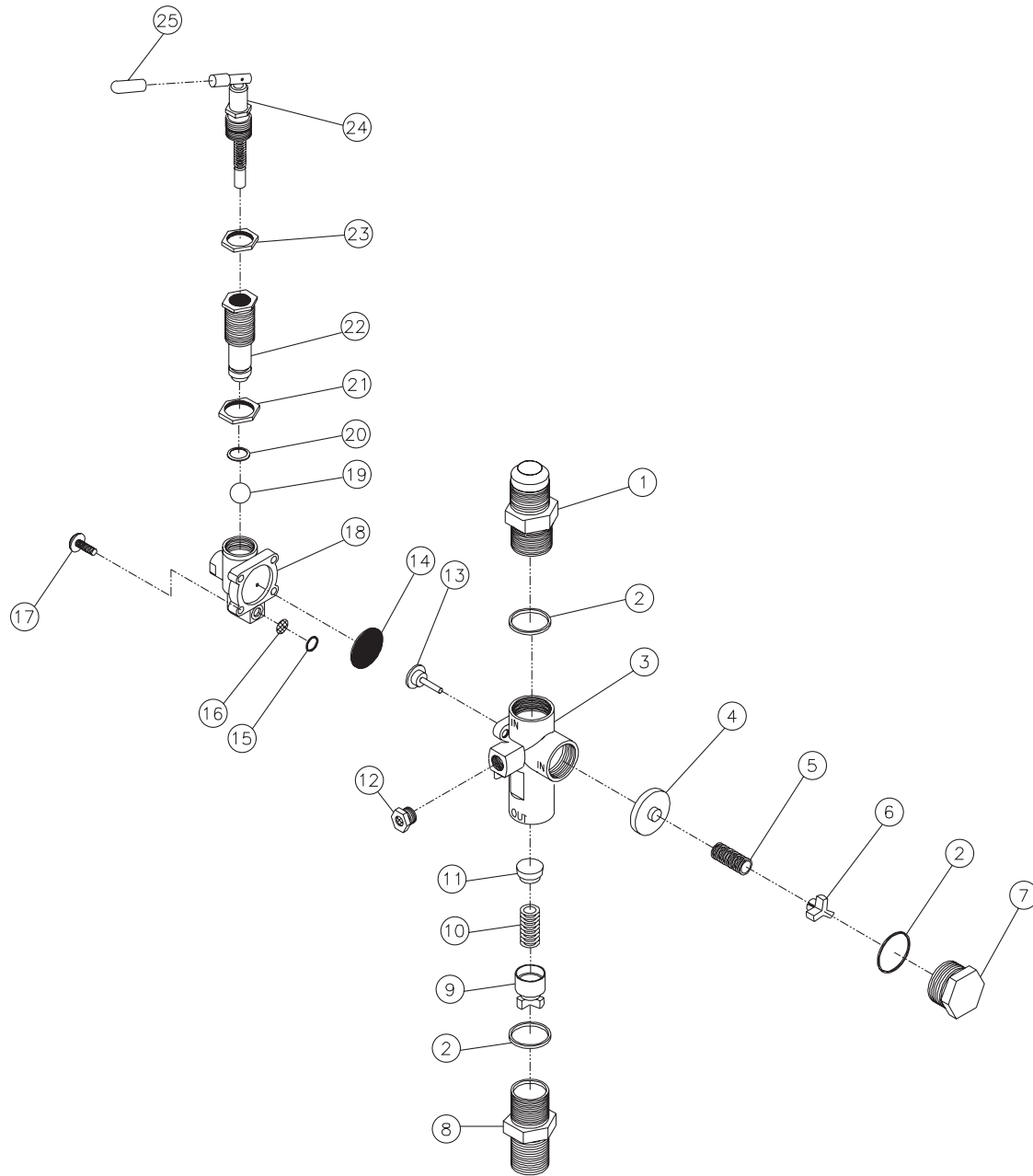
ITEM	FT-LB	Nm	LOCKTITE
1	37.0	50.2	-
20	37.0	50.2	-
27	37.0	50.2	-
T1	16.3	22.1	-

3-0298 102616 JJR

PUMP ASSEMBLY

ITEM	DESCRIPTION	PART #	QTY	ITEM	DESCRIPTION	PART #	QTY
1	BOLT	27-8043	9	27	BOLT	27-8061	7
2	COPPER WASHER	28-1059	15	28	REAR CRANKCASE COVER	46-1278	1
3	CYLINDER HEAD	46-1272	1	29	GASKET - REAR CRANKCASE COVER	N/A	1
4	LP SAFETY VALVE	22-0362	1	30	OBSTRUCT OIL NET	46-1279	1
5	65° OUTLET ELBOW W/PORT	24-0304	1	31	OIL LEVEL SIGHT GLASS	46-1280	1
6	INTERCOOLER TUBE	46-1273	1	32	O-RING	25-0150	1
7	65° OUTLET ELBOW	24-0305	1	33	PLUG	24-0009	1
8	KIT - VALVE PLATE ASSY - (INC. 9-16)	70-0473	1	34	O-RING	25-0160	1
9	GASKET - VALVE PLATE (UPPER)	N/A	1	35	OIL FILL CAP	46-1281	1
10	SCREW	N/A	4	36	BALL BEARING	48-0024	2
11	UPPER VALVE SEAT	N/A	1	37	PUMP CRANKSHAFT	46-1282	1
12	HP VALVE REED	N/A	2	38	KEY	43-0125	1
13	LP VALVE REED	N/A	4	39	OIL SEAL	26-0302	1
14	GASKET - VALVE PLATE (MIDDLE)	N/A	1	40	FLYWHEEL	10-0139	1
15	LOWER VALVE SEAT	N/A	1	41	WASHER	N/A	1
16	GASKET - VALVE PLATE (LOWER)	N/A	1	42	KIT - HP CONNECTING ROD ASSEMBLY (INC. 49)	70-0468	2
17	BOLT	27-8032	1	43	PISTON	46-1283	1
18	LOCKWASHER	29-0054	1	44	PISTON SNAP RING	46-1284	4
19	CYLINDER	46-1274	1	45	PISTON PIN	46-1285	1
20	NUT	30-7203	6	46	KIT - HP PISTON RING	70-0469	1
21	LOCKWASHER	29-0055	7	47	KIT - LP PISTON RING	70-0470	1
22	GASKET - CYLINDER	N/A	1	48	PISTON PIN	46-1286	1
23	STUD	27-8991	6	49	PISTON	46-1287	1
24	PUMP CRANKCASE	46-1275	1	50	CONNECTING ROD BUSHING	46-1288	4
25	BREATHER ASSY	46-1276	1	-	KIT - PUMP GASKET - (INC. 9, 14, 16, 22, 29)	70-0472	1
26	BREATHER PIPE	46-1277	1				

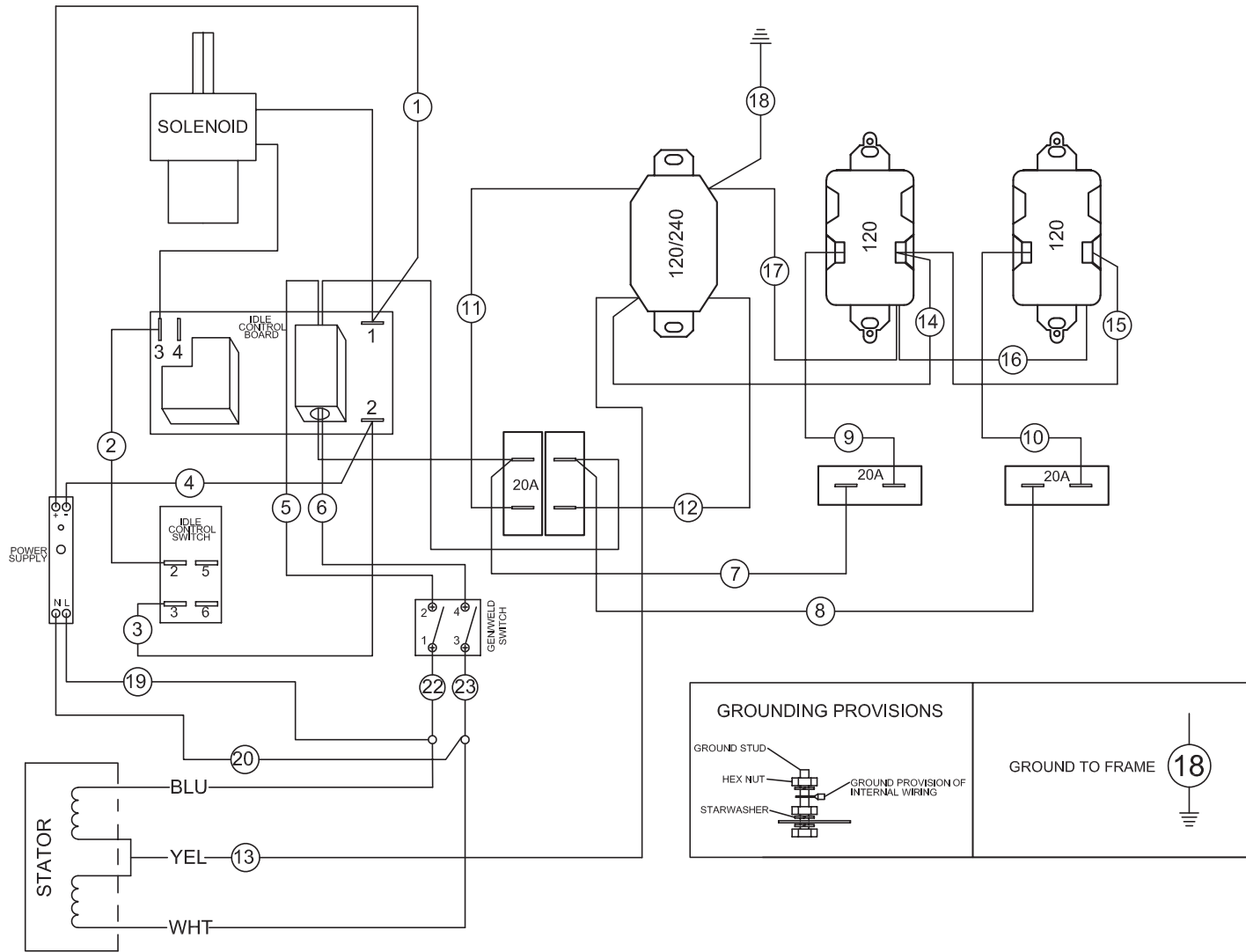
PILOT VALVE (22-0270)



22-0270 062905 DLG

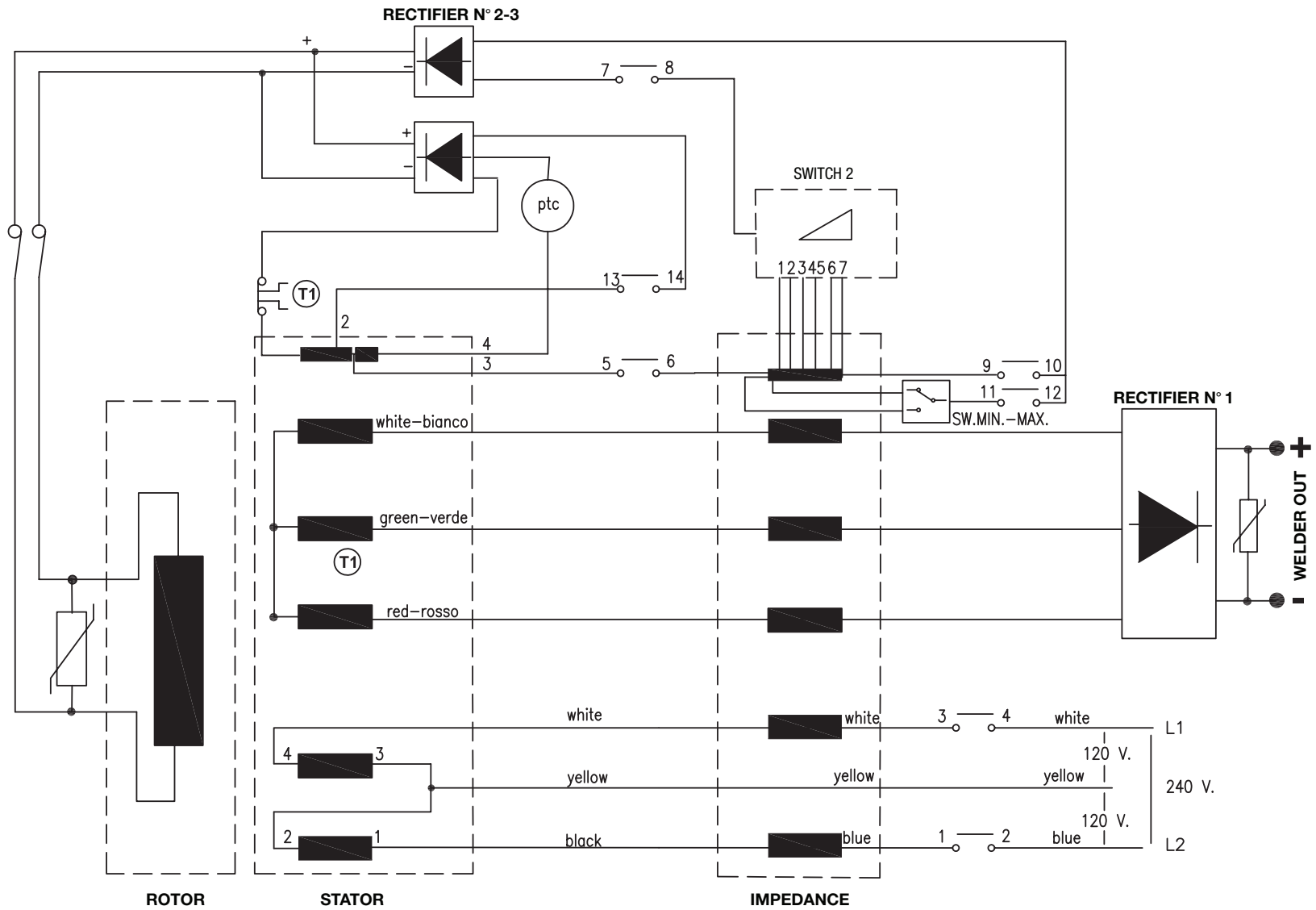
PILOT VALVE (22-0270)			
REF #	DESCRIPTION	PART #	QTY
1	Inlet Port Fitting	N/A	1
2	O-ring (See 70-0241)	N/A Sep.	3
3	Main Body	N/A	1
4	Piston Assembly-Unloader Valve (See 70-0241)	N/A Sep.	1
5	Spring-Unloader Valve (See 70-0241)	N/A Sep.	1
6	Spring Seat-Unloader Valve	N/A	1
7	Cap	N/A	1
8	Discharge Port Fitting	N/A	1
9	Spring Seat Assembly-Check Valve	N/A	1
10	Spring-Check Valve (See 70-0241)	N/A Sep.	1
11	Piston-Check Valve (See 70-0241)	N/A Sep.	1
12	Muffler	23-0419	1
13	Stem Unloader (See 70-0241)	N/A Sep.	1
14	Diaphragm (See 70-0241)	N/A Sep.	1
15	O-ring (See 70-0241)	N/A Sep.	1
16	Screen (See 70-0241)	N/A Sep.	1
17	Screw w/Washer	N/A	4
18	Pilot Body	N/A	1
19	Ball (See 70-0241)	N/A Sep.	1
20	O-ring (See 70-0241)	N/A Sep.	1
21	Differential Adjusting Locknut	N/A	1
22	Differential Adjusting Nut	N/A	1
23	Pressure Adjusting Locknut	N/A	1
24	Pressure Adjusting Toggle Assembly (See 70-0241)	N/A Sep.	1
25	Red Toggle Cover	N/A	1
	Repair Kit (Includes 4-5, 10-11, 13-16, 19-20, 24 and 3 each 2)	70-0241	

WIRING DIAGRAM



WIRE DIAGRAM - AGW-SM14-30M 101918 ADR

WIRING SCHEMATIC



SCHEMATIC - AGW-SM14-30M 092211

Manufactured by Mi-T-M
50 MI-T-M Drive, Peosta IA 52068
563-556-7484/ Fax 563-556-1235