



PARTS LIST FOR
AIR COMPRESSOR
AR1-PK37-M

ENGINE OIL GRADE:	BELOW 32°F SAE 10W-30 ABOVE 32°F SAE 20W-5
ENGINE OIL CAPACITY :	64 oz.
MAXIMUM PRESSURE:	120 PSI
COMPRESSOR OIL:	BELOW 32°F COMPLUBE™ 2000P ABOVE 32°F ROTORLUB™ 8000
COMPRESSOR OIL CAPACITY:	256 oz.

This Parts Listing has been compiled for your benefit. You can be assured your new Gasoline Air Compressor was constructed and designed with quality and performance in mind. Each component has been rigorously tested to ensure the highest level of acceptance.

The contents of this Parts Listing are based on the latest product information available at the time of publication. The manufacturer reserves the right to make changes in price, color, materials, equipment, specifications or models at any time without notice.

WARNING

THIS IS A PROFESSIONAL GASOLINE AIR COMPRESSOR. CAUTION SHOULD BE OBSERVED WHEN USING OR REPAIRING THIS UNIT! READ AND FOLLOW THE SAFETY WARNINGS LISTED BELOW BEFORE ATTEMPTING ANY REPAIRS ON THIS GASOLINE AIR COMPRESSOR!

SAFETY WARNINGS

1. NEVER alter or modify the equipment. Be sure any accessory items and system components being used will withstand the pressure developed. Serious injury may occur from an air compressor malfunction or exploding accessories if incorrect system components, attachments or accessories are used. NEVER exceed manufacturer's maximum allowable pressure rating of attachments. Use only genuine manufactured parts for repair of your air compressor. Failure to do so can cause hazardous operating conditions and will VOID warranty.
2. NEVER make adjustments on machinery while the unit is connected to the engine without first removing the ignition cable from the spark plug. Turning over the machinery by hand during adjustment or cleaning might start the engine and machinery with it, causing serious injury to the operator.
3. Know how to stop and bleed pressures quickly. Be thoroughly familiar with controls. Do not operate without protective covers/ guards.
4. Before servicing the unit, turn unit off, relieve the pressure and allow the unit to cool down. Service in a clean, dry, flat area. Block the wheels to prevent the unit from moving. Be especially careful to properly dispose of any flammable materials.
5. After testing the machine, DO NOT leave the pressurized unit unattended. Shut off the unit and release pressure before leaving.

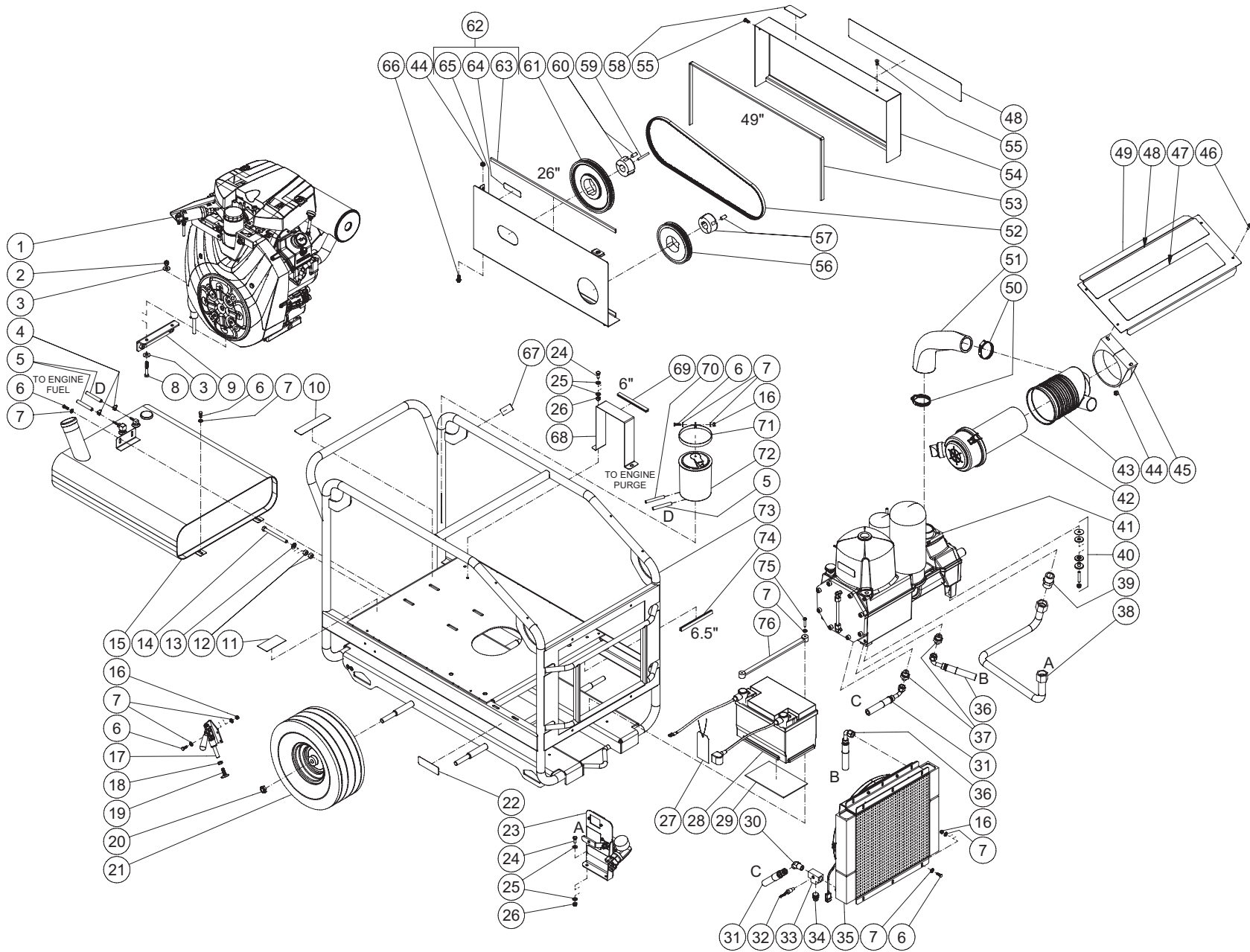
Table of Contents

SPECIFICATIONS.....	3
FRAME ASSEMBLY	4
ENGINE ASSEMBLY	6
PUMP ASSEMBLY.....	8
OUTLET BRACKET ASSEMBLY	10
BATTERY ASSEMBLY.....	12
FUEL TANK ASSEMBLY (854-0149)	14
COOLER ASSEMBLY (854-0151)	16
WIRING SCHEMATIC	18

SPECIFICATIONS

MODEL NUMBER	AR1-PK37-M
ENGINE:	
Model	CH1000
Engine Type	4 Stroke, Overhead Valve, Twin Cylinder
Oil Type	Above 32°F = SAE 20W-50 / Below 32°F = SAE10W-30
Oil Capacity (oz/L)	64/1.89
Low Oil Protection	Oil Sentry™
Engine RPM	3650 (± 50)
Idle Rpm	2700 (± 100)
Fuel Type	Unleaded Gasoline 85-95 Octane
Fuel Capacity (Gal/L)	10.5/39.75
Starting	12V Electric
Battery	BCI Group 48, RV/ Marine Dual Purpose Deep Cycle / Cranking Battery
Air End:	
Compression Stages	1
Male Rotor Size (In/mm)	3.97/101
Female Rotor Size (In/mm)	3.25/82.65
Full Speed RPM	4854 (± 67)
Lubrication	Oil Flooded
Oil Capacity (Gal/L)	2.0/7.57
Oil Type	Above 32°F = RotorLub™ 8000 / Below 32°F = CompLube™ 2000p
Performance:	
CFM @ 100 PSI	115
Maximum Pressure	120
Unit Net Weight (Lbs/Kg):	698/317
Unit Shipping Weight (Lbs/Kg):	770/349
Unit Net Dimension (In/cm):	50.75L x 30.5W x 43.5H/129L x 77W x 110H
Unit Shipping Dimension (In/cm):	57.5L x 35.5W x 59.5H/146L x 90W x 151H

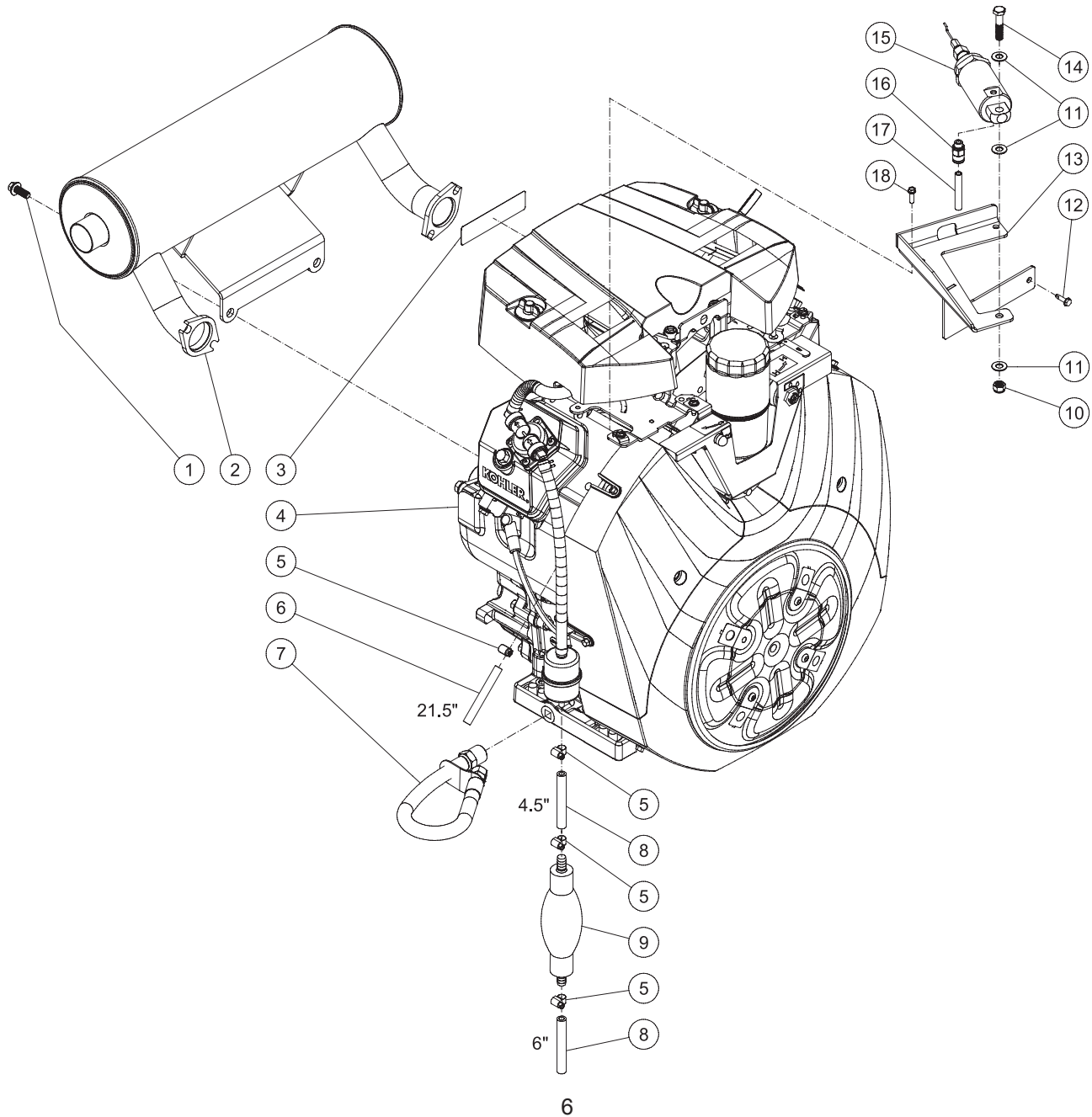
FRAME ASSEMBLY



AR1-PK37-M 062817 CK

FRAME ASSEMBLY							
ITEM	DESCRIPTION	PART #	QTY	ITEM	DESCRIPTION	PART #	QTY
1	ENGINE ASSEMBLY	N/A SEP	1	40	ISOLATOR ASSEMBLY	N/A	4
2	LOCKNUT	30-0159	4	41	PUMP ASSEMBLY	N/A SEP	1
3	WASHER	28-0023	8	42	FILTER CARTRIDGE	19-0281	1
4	CLAMP WORM	42-0004	2	43	AIR CLEANER	19-0280	1
5	FUEL HOSE *(TWO FEET REQUIRED)	15-0008	1	44	NUT	30-3023	6
6	BOLT	27-0015	12	45	AIR FILTER STRAP	33-0590	1
7	WASHER	28-0002	22	46	BOLT	27-9527	4
8	BOLT	27-0122	4	47	DECAL (SEE 71-2013)	N/A	1
9	BRACKET	20-1446A01	1	48	DECAL-MI-T-M STRIPE (SEE 71-2013)	N/A	2
10	DECAL- RISK OF FIRE (SEE 71-2013)	N/A	1	49	FRONT PANEL	20-1447A01	1
11	DECAL- SILVER STICKER	N/A	1	50	HOSE CLAMP	42-0060	2
12	NUT	30-0008	4	51	HOSE	15-0364	1
13	WASHER	28-0005	2	52	BELT	11-0098	1
14	BOLT	27-0632	2	53	EDGING *(FIVE FEET REQUIRED)	33-0020	1
15	FUEL TANK ASSEMBLY	854-0149	1	54	BELTGUARD FRONT	6-0174A01	1
16	LOCKNUT	30-0155	8	55	FASTENER	33-0197	2
17	PUSH/PULL TOGGLE CLAMP	33-0400	1	56	SPROCKET	10-0162	1
18	NUT	30-0004	1	57	BUSHING	9-0099	1
19	BOLT	27-9550	1	58	DECAL - RISK OF BURNS (SEE 71-2013)	N/A	1
20	LOCKNUT	30-0117	4	59	KEY	43-0078	1
21	WHEEL	14-0154	4	60	BUSHING	9-0098	1
22	DECAL - RISK OF INJURY (SEE 71-2013)	N/A	1	61	SPROCKET	10-0161	1
23	OUTLET BRACKET ASSEMBLY	N/A SEP	1	62	BELTGUARD BACK ASSEMBLY	854-0150	1
24	BOLT	27-0066	4	63	EDGING *(THREE FEET REQUIRED)	33-0020	1
25	WASHER	28-0003	8	64	DECAL - WARNING (SEE 71-2013)	N/A	1
26	LOCKNUT	30-0157	3	65	BELTGUARD BACK	N/A	1
27	TAG	34-0096	1	66	BOLT	27-9524	4
28	BATTERY ASSEMBLY	N/A SEP	1	67	DECAL	N/A	4
29	RUBBER PAD	33-0509	1	68	GUARD	20-1449A01	1
30	ELBOW	24-0351	1	69	EDGING *(ONE FOOT REQUIRED)	33-0020	1
31	HOSE	15-0359	1	70	FUEL HOSE *(TWO FEET REQUIRED)	15-0261	1
32	SWITCH	32-1204	1	71	CARB CANISTER STRAP	20-1187A01	2
33	TEE	23-0496	1	72	CARB CANISTER	62-0212	1
34	PLUG	39-0016	1	73	FRAME	5-0352A01	1
35	COOLER ASSEMBLY	854-0151	1	74	EDGING *(ONE FOOT REQUIRED)	33-0020	1
36	HOSE	15-0360	1	75	BOLT	27-0017	2
37	ADAPTER	24-0281	2	76	BATTERY STRAP	33-0430	1
38	FORMED TUBE	15-0358	1	-	DECAL SET - AR1-PK37-M	71-2013	1
39	ADAPTER	24-0349	1	*MUST ORDER IN ONE FOOT LENGTHS			

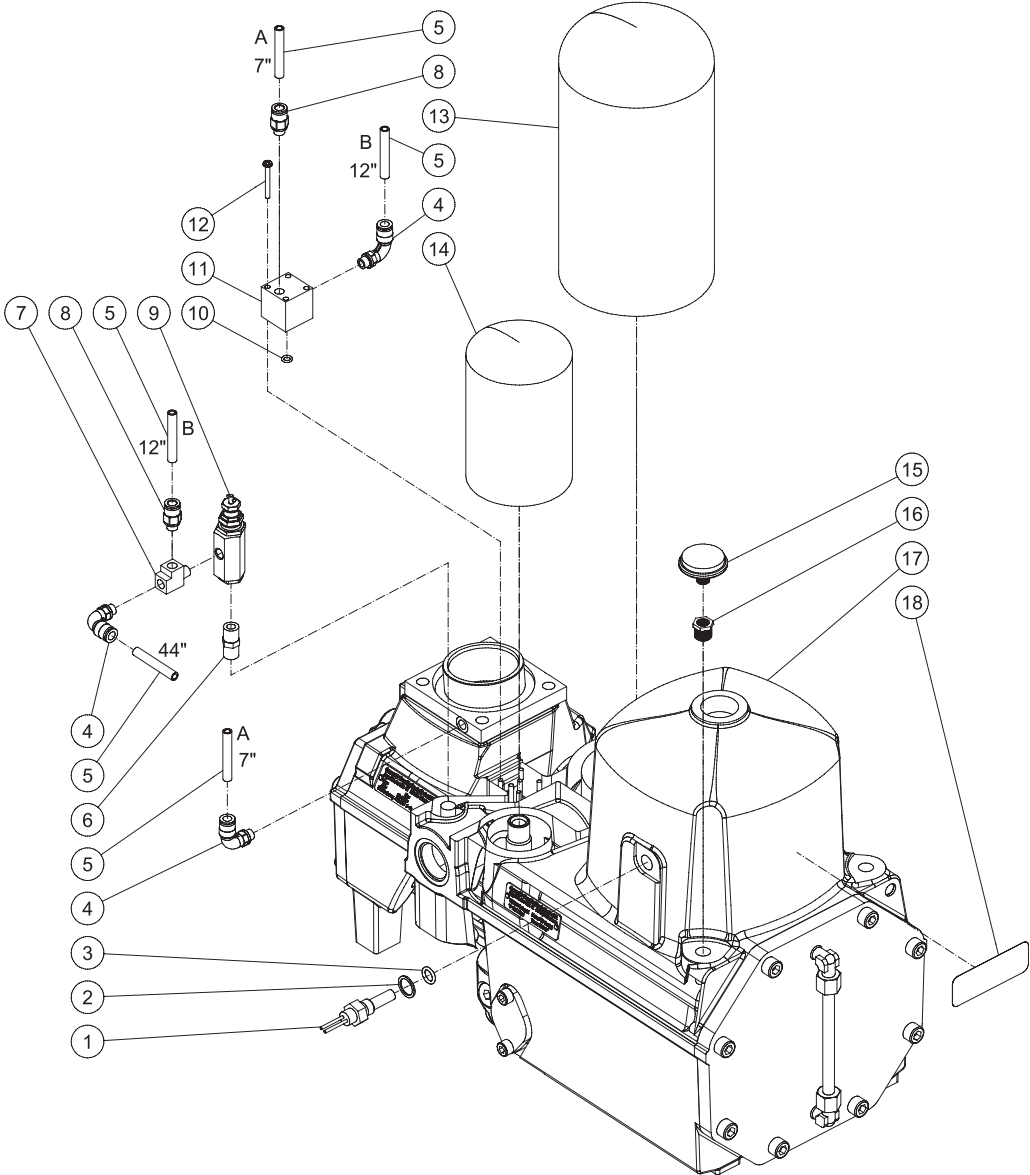
ENGINE ASSEMBLY



AR1-PK37-M ENGINE ASSEMBLY 022216 JPS

AR1-PK37-M ENGINE ASSEMBLY 022216 JPS			
ENGINE ASSEMBLY			
ITEM	DESCRIPTION	PART #	QTY
1	BOLT	27-9524	2
2	MUFFLER	45-0781	1
3	DECAL - RISK OF BURNS (SEE 71-2013)	N/A	1
4	ENGINE	1-0233	1
5	CLAMP WORM	42-0004	4
6	FUEL HOSE *(TWO FEET REQUIRED)	15-0261	1
7	DRAIN HOSE	70-0667	1
8	FUEL HOSE *(ONE FOOT REQUIRED)	15-0008	2
9	PRIMER BULB	33-0040	1
10	LOCKNUT	30-0157	1
11	WASHER	28-0003	3
12	BOLT	27-9567	1
13	BRACKET	20-1451A01	1
14	BOLT	27-0069	1
15	THROTTLE VALVE	22-0498	1
16	NIPPLE	24-0353	1
17	TUBE *(TWO FEET REQUIRED)	15-0361	1
18	BOLT	27-9526	3
*MUST ORDER IN ONE FOOT LENGTHS			

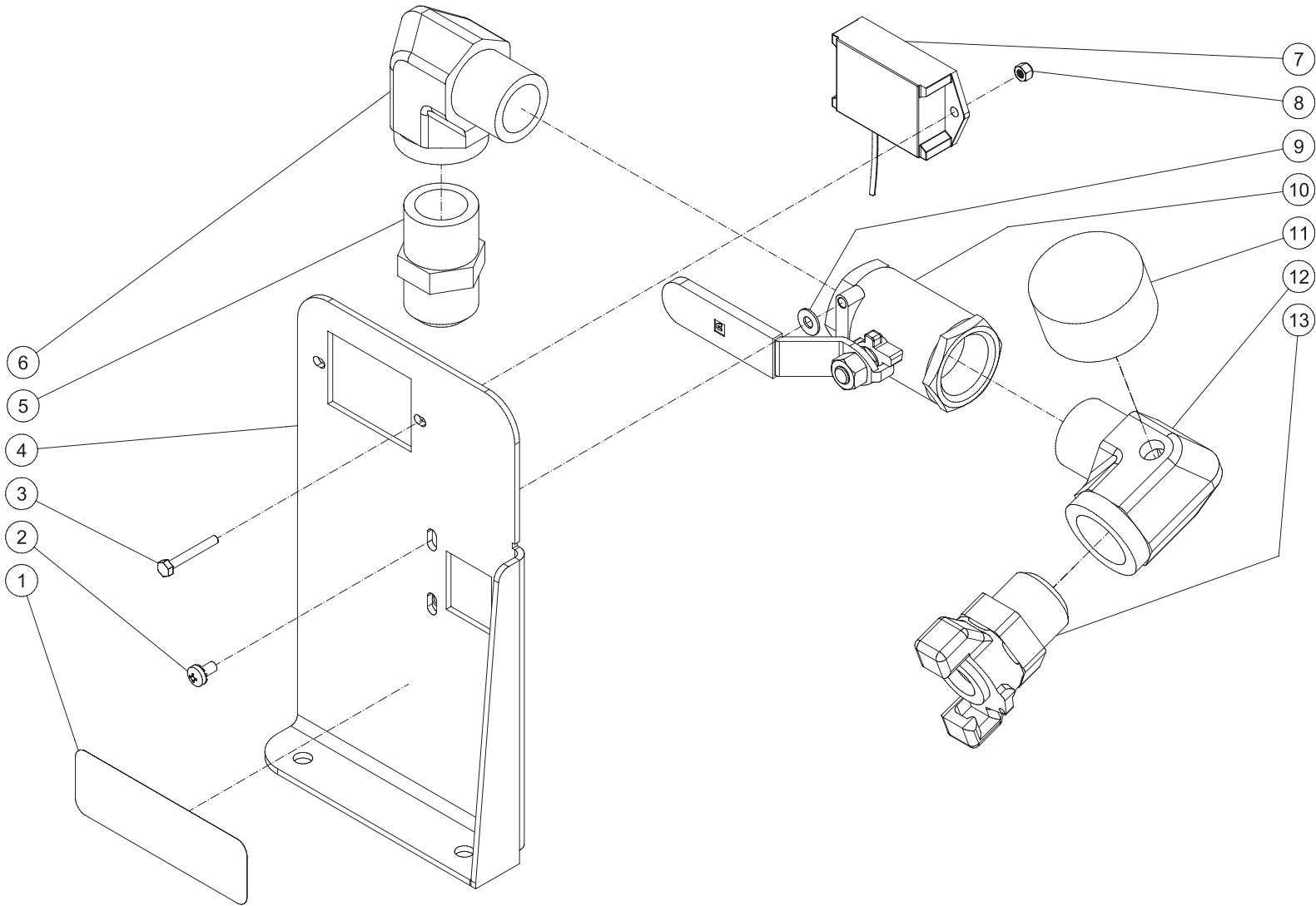
PUMP ASSEMBLY



AR1-PK37-M PUMP ASSEMBLY 012616 JPS

AR1-PK37-M PUMP ASSEMBLY 012616 JPS			
PUMP ASSEMBLY			
ITEM	DESCRIPTION	PART #	QTY
1	SWITCH	32-1197	1
2	WASHER	28-1068	1
3	O-RING	25-0697	1
4	ELBOW	24-0352	3
5	TUBE *(SIX FEET REQUIRED)	15-0361	1
6	NIPPLE	23-0103	1
7	TEE	23-0308	1
8	NIPPLE	24-0353	2
9	PILOT UNLOADER VALVE	22-0497	1
10	O-RING	25-0696	2
11	MANIFOLD BLOCK	51-0046	1
12	BOLT	27-5032	4
13	SEPARATOR	19-0279	1
14	OIL FILTER	19-0278	1
15	PRESSURE GAUGE	22-0271	1
16	REDUCER	23-0111	1
17	AIR END (INCLUDES 19-0278 & 19-0279)	3-0421	1
18	DECAL - RISK OF BURNS (SEE 71-2013)	N/A	1
*MUST ORDER IN ONE FOOT LENGTHS			

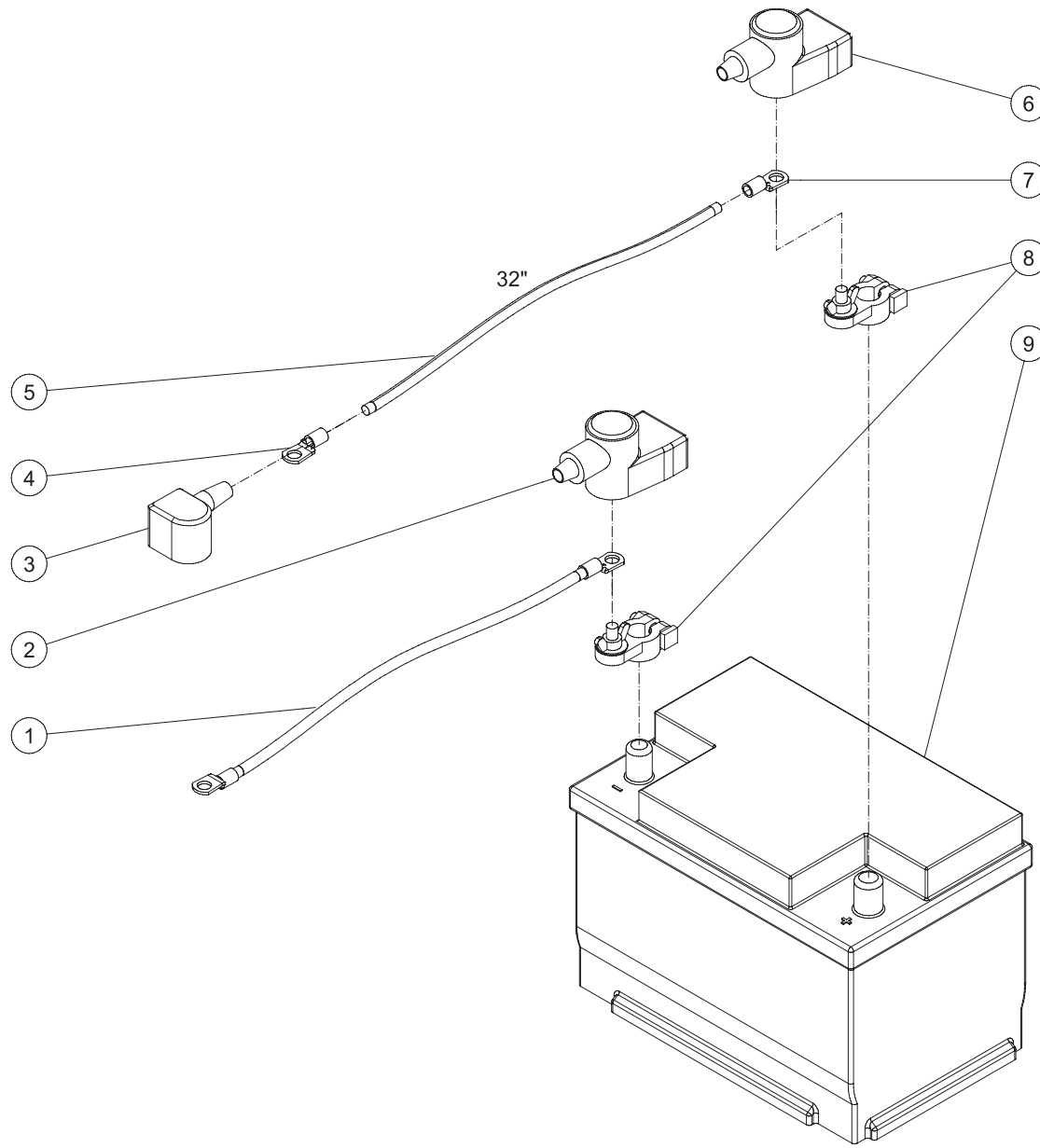
OUTLET BRACKET ASSEMBLY



AR1-PK37-M OUTLET BRACKET ASSEMBLY 011516 JPS

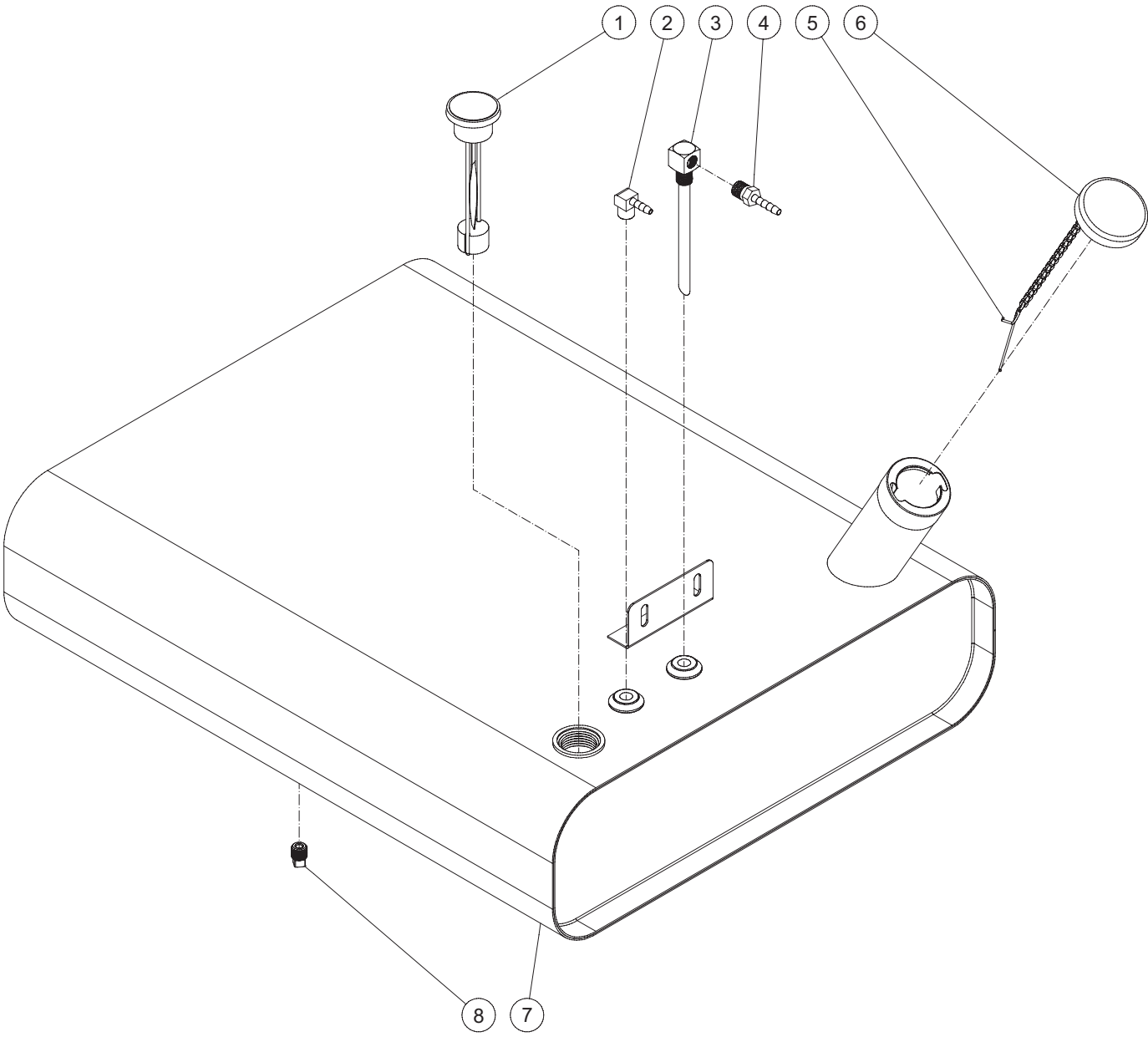
AR1-PK37-M OUTLET BRACKET ASSEMBLY 011516 JPS			
OUTLET BRACKET ASSEMBLY			
ITEM	DESCRIPTION	PART #	QTY
1	DECAL - RISK OF INJURY (SEE 71-2013)	N/A	1
2	SCREW	27-9533	2
3	BOLT	27-8974	2
4	BRACKET	20-1448A01	1
5	ADAPTER	24-0349	1
6	ELBOW	24-0319	1
7	GAUGE TACH	32-0416	1
8	NUT	30-3158	2
9	WASHER	28-0001	2
10	BALL VALVE	22-0495	1
11	GAUGE	22-0500	1
12	ELBOW	24-0356	1
13	COUPLING	17-0079	1

BATTERY ASSEMBLY



AR1-PK37-M BATTERY ASSEMBLY 020316 JPS			
BATTERY ASSEMBLY			
ITEM	DESCRIPTION	PART #	QTY
1	CABLE	32-9113	1
2	TERMINAL COVER	33-0594	1
3	BATTERY CABLE COVER	33-0004	1
4	TERMINAL RING	32-0097	1
5	CABLE *(THREE FEET REQUIRED)	32-0065	1
6	TERMINAL COVER	33-0593	1
7	TERMINAL RING	32-0744	1
8	BATTERY END	32-0066	1
9	BATTERY	32-1198	1
*MUST ORDER IN ONE FOOT LENGTHS			

FUEL TANK ASSEMBLY (854-0149)

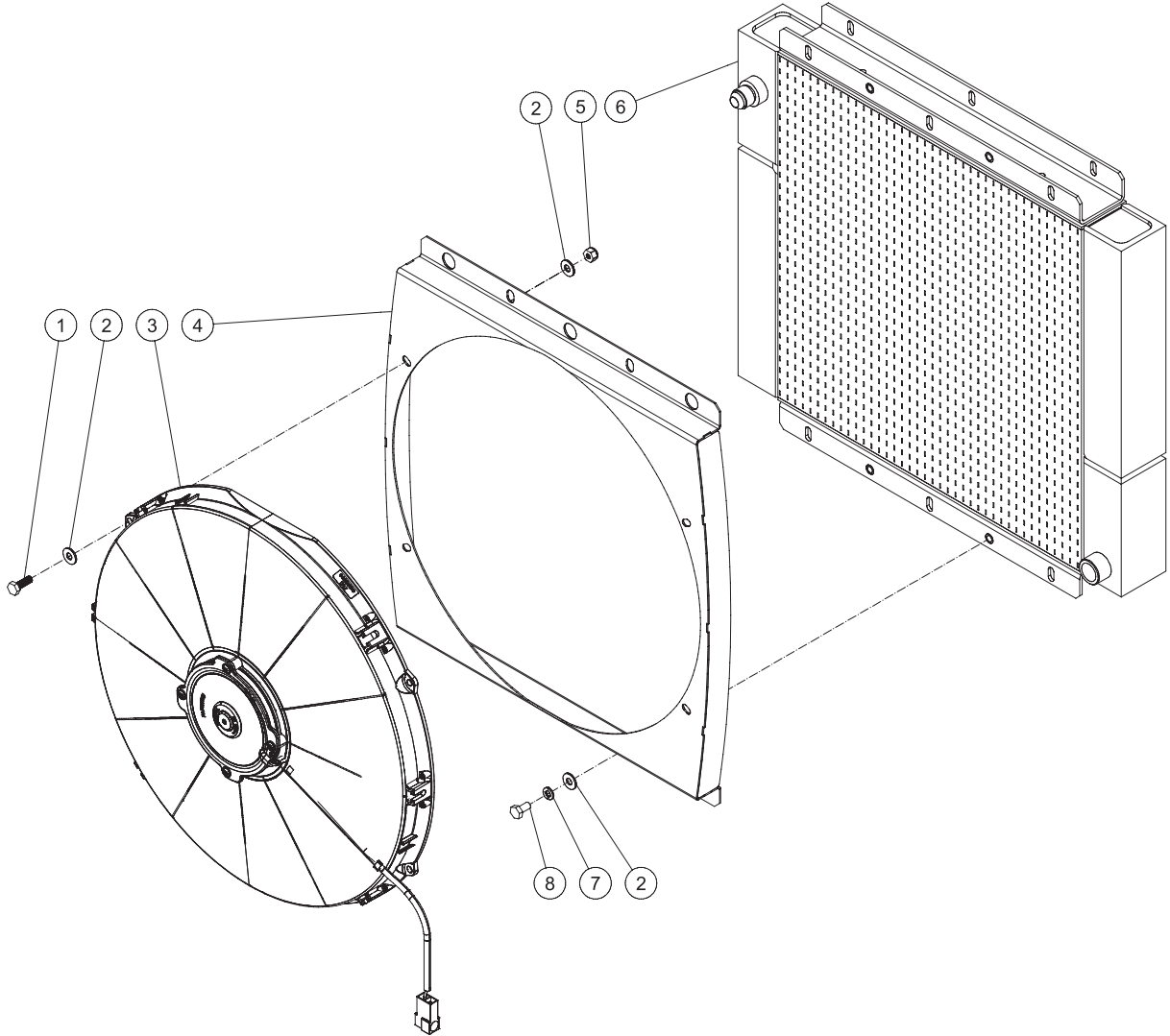


854-0149 062817 CK

854-0149 062817 CK

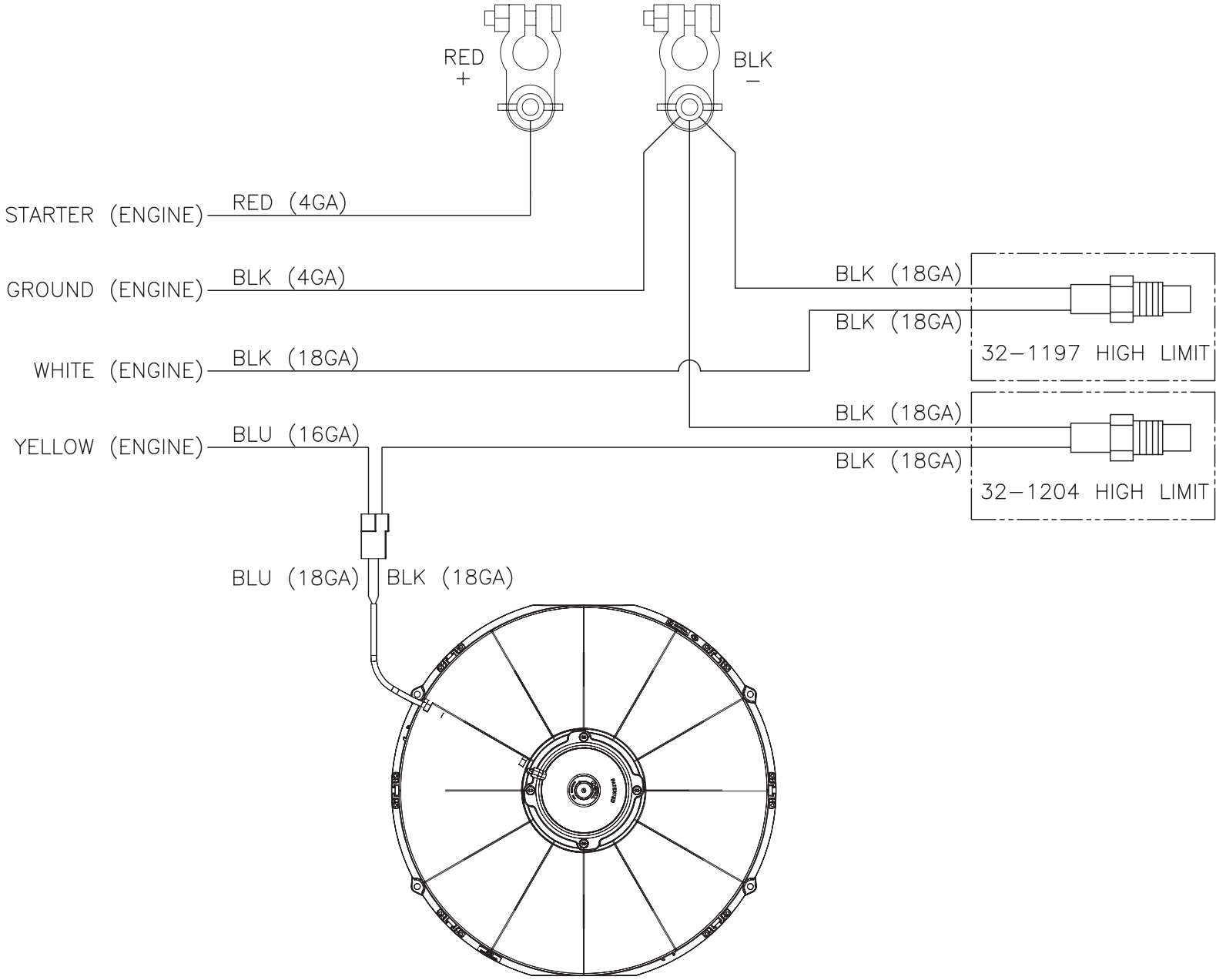
FUEL TANK ASSEMBLY			
ITEM	DESCRIPTION	PART #	QTY
1	FUEL GAUGE	12-0263	1
2	ELBOW	23-0054	1
3	FUEL PICK UP	33-0271	1
4	BARB	23-0051	1
5	FUEL CAP CATCH	12-0228	1
6	FUEL CAP	12-0229	1
7	FUEL TANK	12-0259A09	1
8	PLUG	24-0009	1

COOLER ASSEMBLY (854-0151)



854-0151 022216 JPS			
COOLER ASSEMBLY			
ITEM	DESCRIPTION	PART #	QTY
1	BOLT	27-0015	4
2	WASHER	28-0002	12
3	FAN	32-1185	1
4	FAN SHROUD	20-1450A60	1
5	LOCKNUT	30-0155	4
6	OIL COOLER	33-0587	1
7	LOCKWASHER	29-0006	4
8	BOLT	27-0014	4

WIRING SCHEMATIC



WS AR1-PK37-M 012716 JPS

Manufactured by Mi-T-M
50 MI-T-M Drive, Peosta IA 52068
563-556-7484/ Fax 563-556-1235