



THE WORK PRO®

PARTS LIST FOR
AIR COMPRESSORS

AM1-PH06-08WP

AM1-PM06-08WP

AM1-PH65-08WP

AM1-PM65-08WP

ENGINE OIL GRADE:	SAE10W-30
ENGINE OIL CAPACITY	
HONDA/Mi-T-M:	20 oz./0.591 L
MAXIMUM PRESSURE:	125 PSI
COMPRESSOR OIL GRADE:	SAE 30W NON-DETERGENT
COMPRESSOR OIL CAPACITY	
AM1-PH06-08WP/AM1-PM06-08WP:	15.45 oz./0.457 L
AM1-PH65-08WP/AM1-PM65-08WP:	24.34 oz./0.735 L

This Parts Listing has been compiled for your benefit. You can be assured your Mi-T-M Gasoline Air Compressor was constructed and designed with quality and performance in mind. Each component has been rigorously tested to insure the highest level of acceptance.

The contents of this Parts Listing are based on the latest product information available at the time of publication. Mi-T-M reserves the right to make changes in price, color, materials, equipment, specifications or models at any time without notice.

WARNING

THIS IS A PROFESSIONAL GASOLINE AIR COMPRESSOR. CAUTION SHOULD BE OBSERVED WHEN USING OR REPAIRING THIS UNIT! READ AND FOLLOW THE SAFETY WARNINGS LISTED BELOW BEFORE ATTEMPTING ANY REPAIRS ON THIS GASOLINE AIR COMPRESSOR!

SAFETY WARNINGS

1. NEVER alter or modify the equipment. Be sure any accessory items and system components being used will withstand the pressure developed. Serious injury may occur from an air compressor malfunction or exploding accessories if incorrect system components, attachments or accessories are used. NEVER exceed manufactures maximum allowable pressure rating of attachments. Use only genuine Mi-T-M parts for repair of your air compressor. Failure to do so can cause hazardous operating conditions and will VOID warranty.
2. NEVER make adjustments on machinery without first removing the ignition cable from the engine spark plug. Turning over the machinery by hand during adjustment or cleaning might start the engine, causing serious injury to the operator.
3. Know how to stop and bleed pressures quickly. Be thoroughly familiar with controls. Do not operate without protective covers/guards.
4. Before servicing the unit, turn unit off, relieve the pressure and allow the unit to cool down. Service in a clean, dry, flat area. Block the wheels to prevent the unit from moving. Be especially careful to properly dispose of any flammable materials.
5. After testing the machine, DO NOT leave the pressurized unit unattended. Shut off the unit and pressure before leaving.

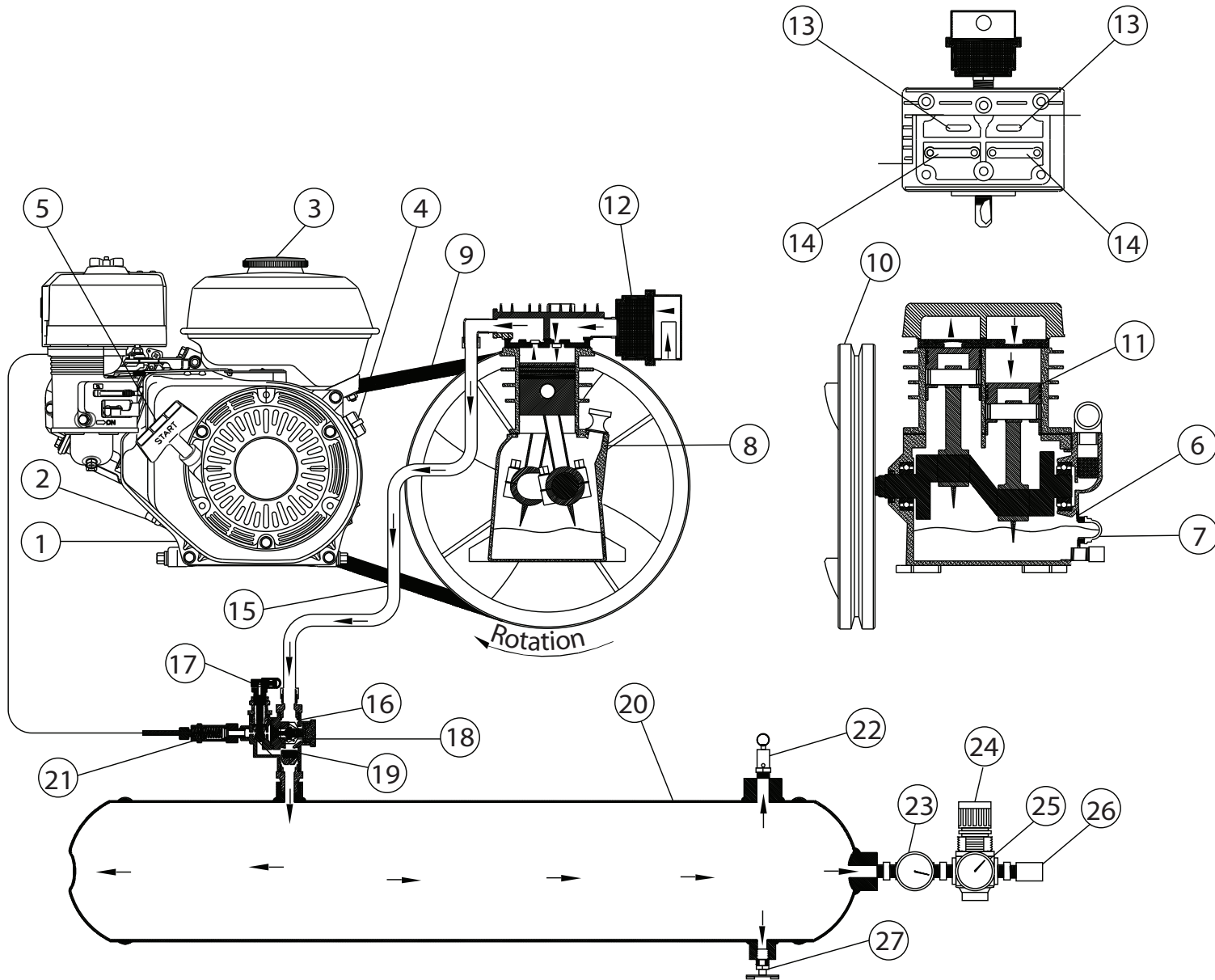
Table of Contents

SPECIFICATIONS	3
FLOW CHART	4
GENERAL THEORY OF OPERATION	5
TANK ASSEMBLY FOR AM1-PH06-08WP AND AM1-PM06-08WP	6
TANK ASSEMBLY FOR AM1-PH65-08WP AND AM1-PM65-08WP	8
PUMP ASSEMBLY (3-0425)	10
PUMP ASSEMBLY (3-0426)	12
SINGLE STAGE AIR THROTTLE ASSEMBLY	14

SPECIFICATIONS

MODEL NUMBER	AM1-PH06-08WP	AM1-PM06-08WP	AM1-PH65-08WP	AM1-PM65-08WP
Engine:	Honda	Mi-T-M	Honda	Mi-T-M
Model	GX200	212CC	GX200	212CC
Engine Type	4 Stroke, Overhead Valve, Single Cylinder			
Oil Type	SAE 10W 30			
Oil Capacity (oz./L)	20 / 0.591			
Low Oil Protection	Oil Alert™			
Fuel Type	Unleaded Gasoline 86 Octane Minimum			
Fuel Capacity (gal/L)	.95 / 3.6			
Starting	Recoil			
Engine RPM	3300			
Idle RPM	2200-2400			
Compressor Pump:				
Number of Cylinders	2			
Compression Stages	1			
First Stage Bore (in/mm)	2.33 / 59		2.56 / 65	
Second Stage Bore (in/mm)	2.33 / 59		2.56 / 65	
Stroke	1.66"		2.36"	
RPM	1500		1250	
Flywheel	11 3/4" (300mm)		13 3/4" (349.25mm)	
Lubrication	Splash			
Oil Capacity (oz./L)	15.45 / .457		24.34 / 0.735	
Oil Type	30 W Non Detergent			
Crankcase	Aluminum			
Bearings	Ball			
Cylinder	Cast Iron			
Valves	Reed			
Head	Cast Iron			
Filter	Foam Filter			
Pilot Valve Setting:				
Cut-out	125 PSI			
Cut-in	95 PSI			
Air Tank:				
Capacity	8 Gallons			
Performance:				
CFM @ 40 PSI	8.7		13.9	
CFM @ 100 PSI	6.9		11.8	
CFM @ 125 PSI	6.5		11.4	
Maximum Pressure	125 PSI			
Pump-up Time: 0-125 PSI	59 seconds		42 seconds	
Recovery Time: 95-125 PSI	15 seconds		7 seconds	
Weight:				
Net	160 lbs	167 lbs	170 lbs	177 lbs
Shipping	180 lbs	242 lbs	190 lbs	252 lbs
Dimensions:				
Basic L x W x H	37" x 23.5" x 33"	37" x 23.5" x 33"	44.5" x 18.5" x 26"	37" x 23.5" x 33"
Shipping L x W x H	37" x 23.5" x 33"	37" x 23.5" x 33"	45" x 19" x 32"	46.5" x 31.5" x 48.5"

FLOW CHART

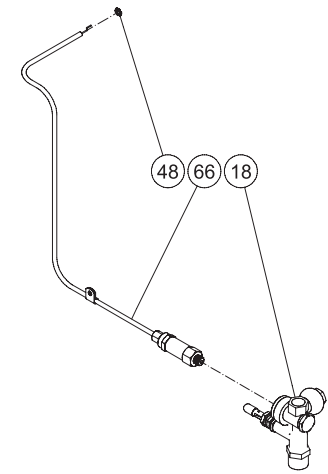
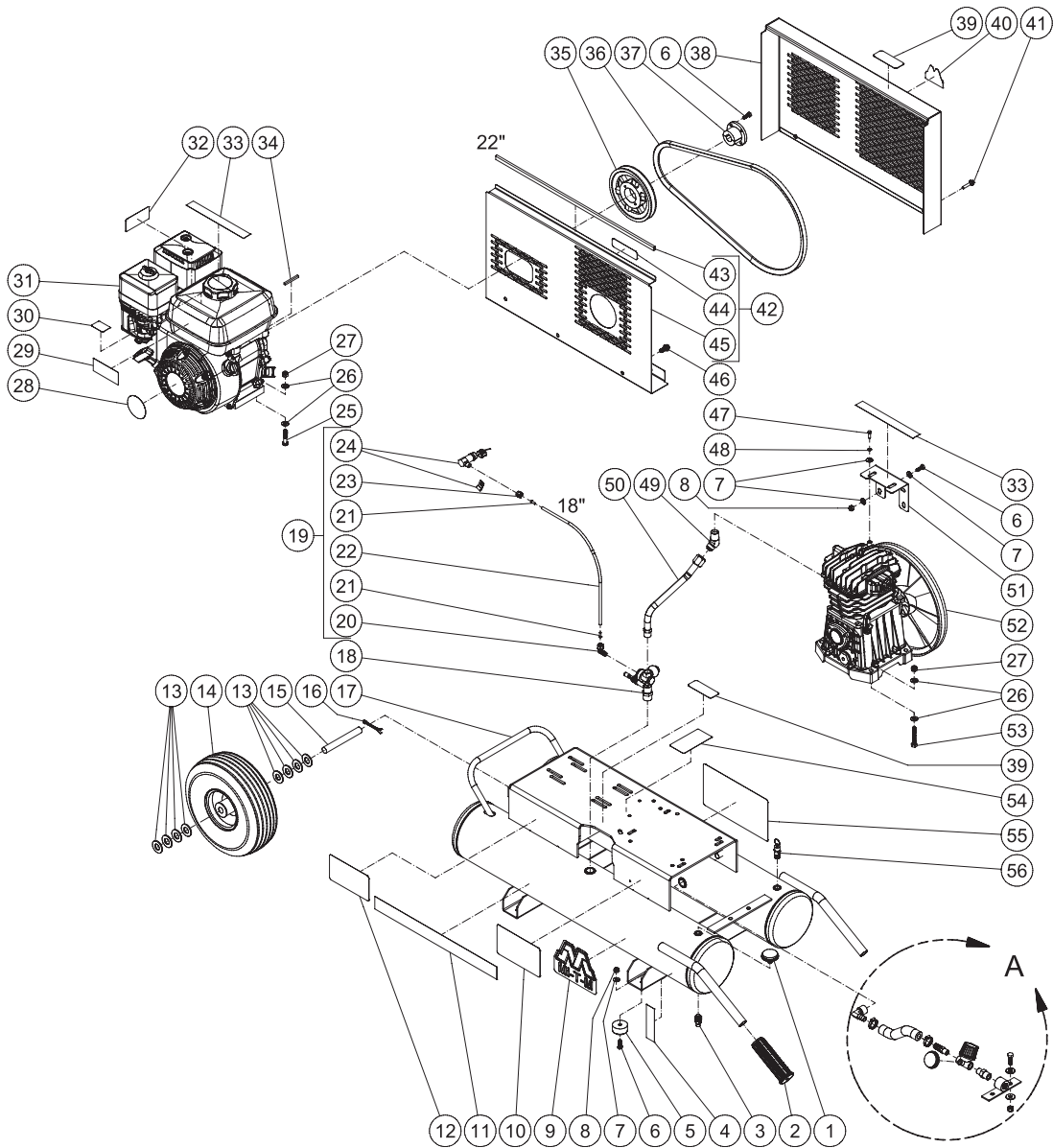


OMAC0064A-060399-RD

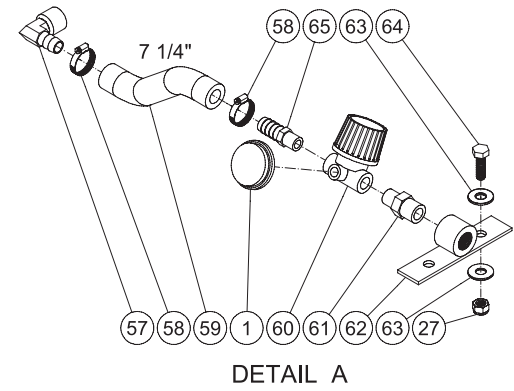
GENERAL THEORY OF OPERATION

1. The **ENGINE (1)** supplies power to the air compressor.
 - a. The **ENGINE (1)** is lubricated by oil. The oil level should be checked before each use by removing the **ENGINE OIL DIPSTICK (2)**.
 - b. The **ENGINE (1)** runs on gasoline. The **FUEL TANK (3)** level should be checked before each use.
 - c. The **ENGINE ON/OFF SWITCH (4)** and **STARTER ROPE (5)** are used to start the engine.
 - d. Refer to engine owner's manual for appropriate starting procedures and requirements of the **ENGINE (1)**.
2. The **COMPRESSOR PUMP (6)** is lubricated by oil. The oil level should be checked before each use by viewing the **COMPRESSOR PUMP OIL SIGHTGLASS (7)**. If the oil level is below the half way mark on this sight glass, add SAE-30W non-detergent oil to the **COMPRESSOR PUMP OIL FILL PORT (8)**.
3. When the unit is operating, the **V-BELT (9)** turns the **COMPRESSOR PUMP FLYWHEEL (10)** which rotates the crankshaft and moves the pistons.
4. As the **PISTON (11)** moves down, air is drawn in through the **INLET AIR FILTER (12)** and then through the **INLET REED VALVE (13)** and into the piston chamber. At the same time, the **OUTLET REED VALVE (14)** is closed. This allows air to fill the piston chamber.
5. As the **PISTON (11)** moves upward, the **INLET REED VALVE (13)** closes. The **OUTLET REED VALVE (14)** opens allowing the compressed air to flow into the **PUMP DISCHARGE LINE (15)**.
6. The compressed air then enters the **PILOT CONTROL VALVE (16)** which has a **TOGGLE KNOB (17)** with two positions.
 - a. **Easy Start Position:** When the **TOGGLE KNOB (17)** is in the *open* position (*vertical*) air moves out the **PILOT VALVE MUFFLER (18)** allowing the **ENGINE (1)** to start under no-load conditions .
 - b. **Constant Run Position:** When the **TOGGLE KNOB (17)** is in the *closed* position (*horizontal*) the compressed air opens the **CHECK VALVE (19)** and moves into the **AIR TANK (20)**. When the pressure in the **AIR TANK (20)** reaches the maximum pressure setting of the **PILOT CONTROL VALVE (16)**, the excess air exits the **PILOT VALVE MUFFLER (18)** and the **CHECK VALVE (19)** will close. At the same time the **THROTTLE CONTROL (21)** idles the **ENGINE (1)** down.
7. The **SAFETY RELIEF VALVE (22)** protects the system from any overpressure conditions.
8. The **TANK PRESSURE GAUGE (23)** indicates tank pressure. The **AIR PRESSURE REGULATOR (24)** can be adjusted to the desired operating pressure which is indicated on the **OUTLET PRESSURE GAUGE (25)**. The air exits through the **OUTLET FITTING (26)**.
9. The **ENGINE ON/OFF SWITCH (4)** stops the **ENGINE (1)** when moved to the "OFF" position.
10. When the **ENGINE (1)** is off, compressed air should be released from the **AIR TANK (20)** by opening the attached air tool or by pulling on the **SAFETY RELIEF VALVE (22)**. When the **TANK PRESSURE GAUGE (23)** registers less than 10 PSI, drain the condensation from the **AIR TANK (20)** by opening the **TANK DRAIN (27)**.

TANK ASSEMBLY FOR AM1-PH06-08WP AND AM1-PM06-08WP



THROTTLE CONTROL FOR PM06

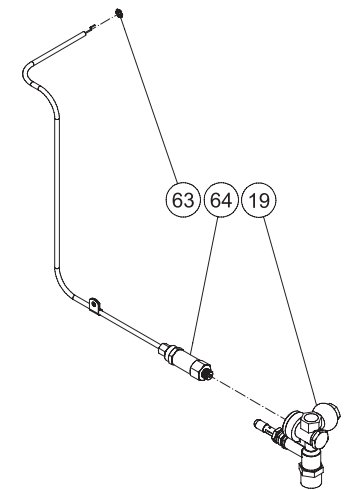
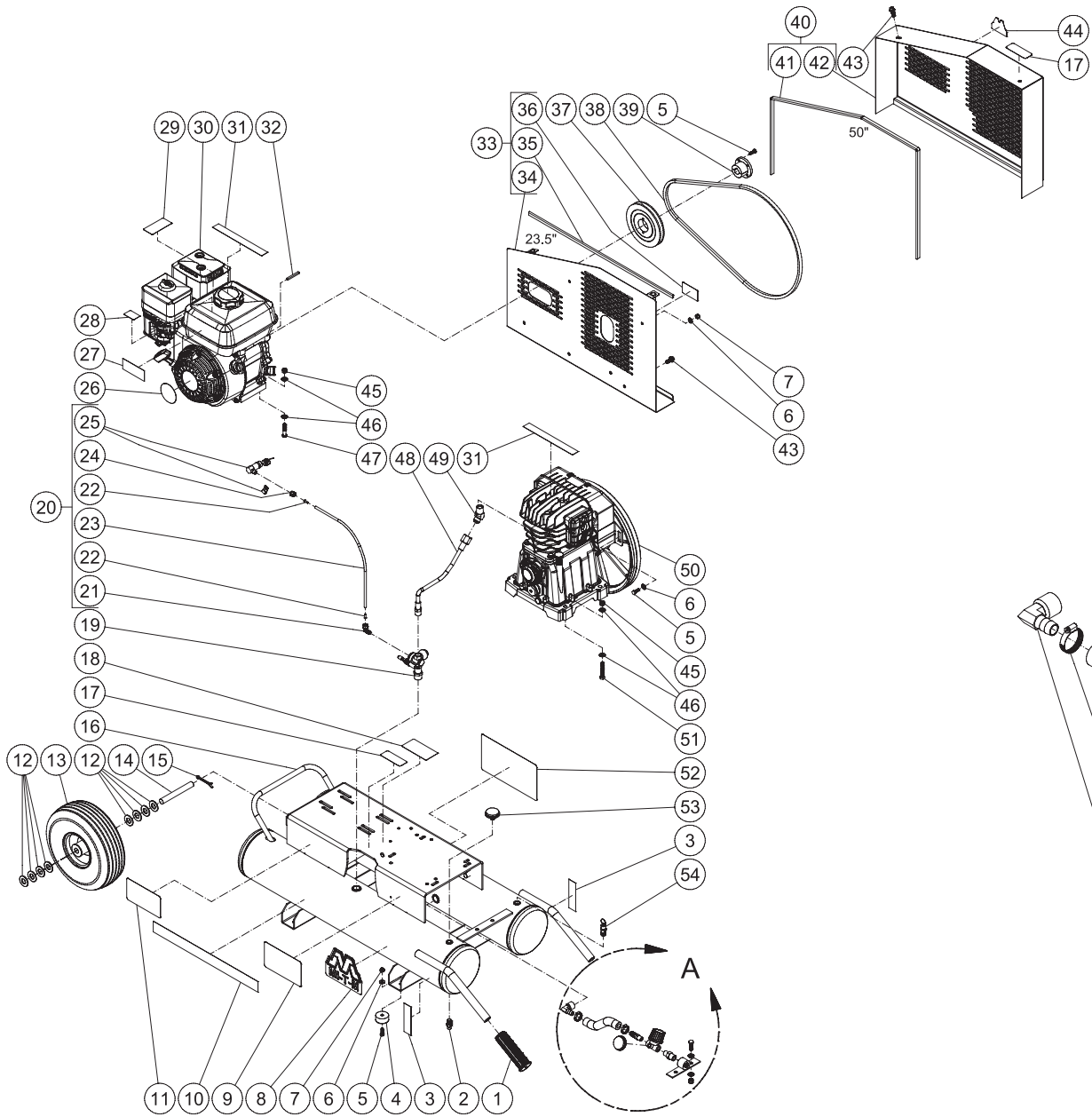


AM1-PH06_PM06-08WP 032117 ALC

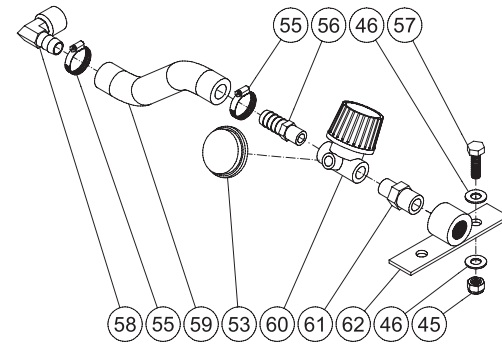
TANK ASSEMBLY

ITEM	DESCRIPTION	PART #	QTY	ITEM	DESCRIPTION	PART #	QTY
1	PRESSURE GAUGE	22-0257	2	34	KEY	43-0073	1
2	HANDLE GRIP	7-0059	2	35	SHEAVE	10-0150	1
3	PETCOCK	23-0312	2	36	BELT	11-0073	1
4	DECAL - TANK DRAIN (SEE 71-2005)	N/A	2	37	BUSHING	9-0009	1
5	ISOLATOR	14-0069	4	38	BELTGUARD COVER	N/A	1
6	BOLT	27-0015	8	39	DECAL - RISK OF BURNS (SEE 71-2005)	N/A	2
7	WASHER	28-0002	10	40	DECAL - MI-T-M	34-2167	1
8	LOCKNUT	30-0155	6	41	BOLT	27-8898	2
9	DECAL - MI-T-M	34-2169	1	42	BELTGUARD BACK ASSEMBLY	854-0155	1
10	DECAL - MAINTENANCE INSTRUCTIONS (SEE 71-2005)	N/A	1	43	EDGING *(TWO FEET REQUIRED)	33-0020	1
11	DECAL - 17" STRIPE	34-2188	1	44	DECAL - WARNING (SEE 71-2005)	N/A	1
12	DECAL - OPERATING INSTRUCTIONS (SEE 71-2005)	N/A	1	45	BELTGUARD BACK	N/A	1
13	WASHER	28-0008	8	46	BOLT	27-9524	3
14	WHEEL	14-0130	1	47	BOLT	27-8878	2
15	AXLE	20-0420	1	48	STAR WASHER	28-1009	3
16	COTTER PIN	43-0092	2	49	ELBOW	24-0074	1
17	AIR TANK ASSEMBLY	N/A	1	50	HOSE	15-0237	1
18	PILOT VALVE	22-0470	1	51	BRACKET	20-1134A01	1
19	AIR THROTTLE CONTROL ASSEMBLY (PH06)	854-0064	1	52	PUMP	3-0425	1
20	ELBOW	23-0316	1	53	BOLT	27-0071	4
21	TUBE SUPPORT	23-0486	2	54	DECAL- SILVER STICKER	N/A	1
22	HOSE *(TWO FEET REQUIRED)	15-0238	1	55	DECAL - CAUTION/WARNING/DANGER (SEE 71-2005)	N/A	1
23	NUT	23-0315	1	56	SAFETY VALVE	22-0228	1
24	AIR THROTTLE CONTROL (PH06)	N/A	1	57	HOSE BARB	23-0418	1
25	BOLT	27-0069	4	58	HOSE CLAMP	42-0011	2
26	WASHER	28-0003	16	59	HOSE *(ONE FOOT REQUIRED)	15-0007	1
27	LOCKNUT	30-0157	10	60	REGULATOR	22-0326	1
28	DECAL - REWIND 212CC (0M06)	34-2863	1	61	NIPPLE	24-0146	1
29	DECAL (SEE KIT 71-2005) (PM06)	34-2774	1	62	REGULATOR MOUNTING BRACKET	20-0421A01	1
30	DECAL - ENGINE FUEL (SEE 71-2005)	N/A	1	63	WASHER	28-0022	4
31	ENGINE (PH06)	1-0088	1	64	BOLT	27-0067	2
-	ENGINE (PM06)	1-0221	1	65	HOSE BARB	23-0120	1
32	DECAL - MUFFLER HOT (SEE 71-2005)	N/A	1	66	THROTTLE CONTROL (PM06)	33-0399	1
33	DECAL - CHECK OIL	N/A	2	-	DECAL SET	71-2005	1

TANK ASSEMBLY FOR AM1-PH65-08WP AND AM1-PM65-08WP



THROTTLE CONTROL FOR PM65



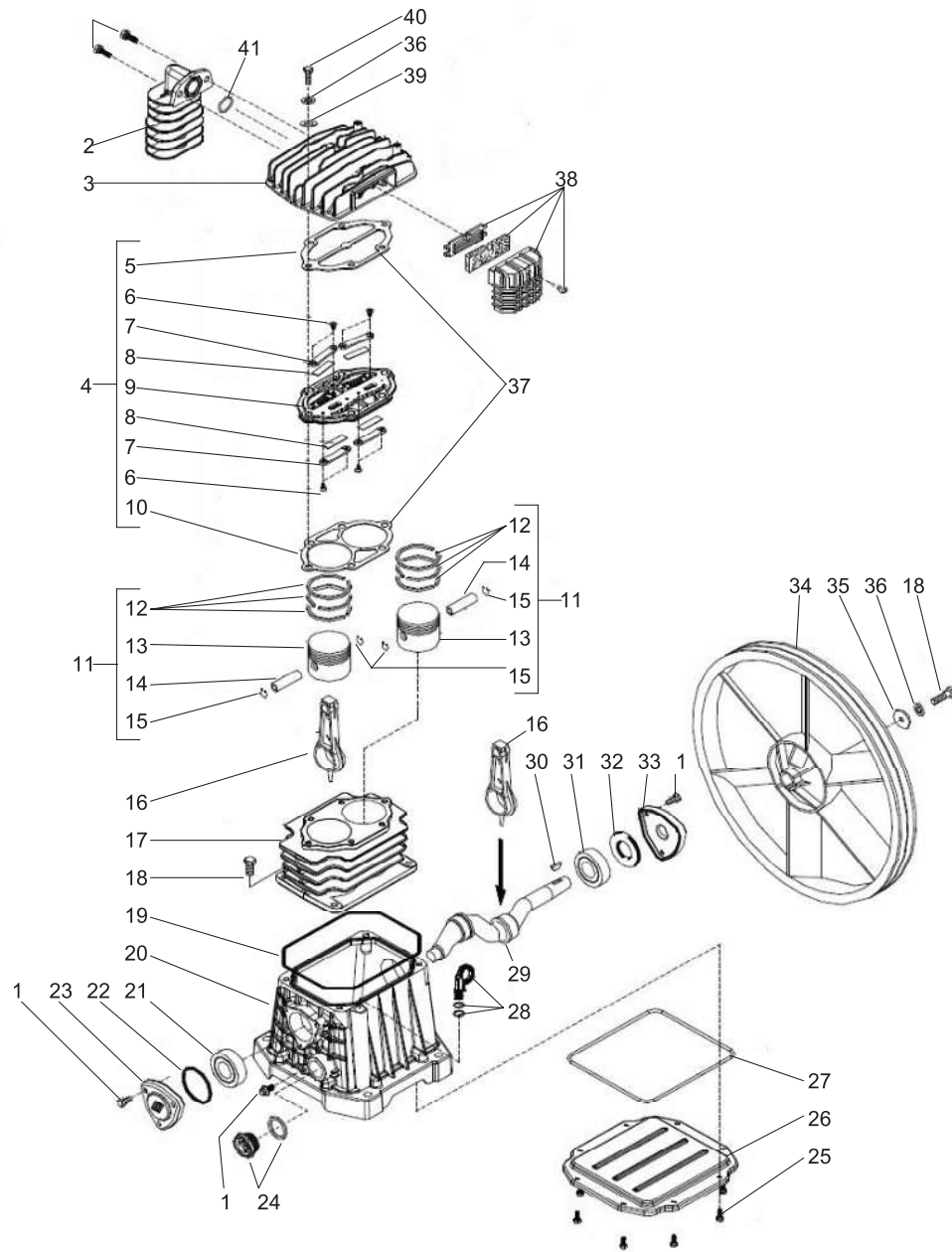
DETAIL A

AM1-PH65_PM65-08WP 020916 ALC

TANK ASSEMBLY							
ITEM	DESCRIPTION	PART #	QTY	ITEM	DESCRIPTION	PART #	QTY
1	HANDLE GRIP	7-0059	2	33	BELTGUARD BACK ASSEMBLY	854-0152	1
2	PETCOCK	23-0312	2	34	BELTGUARD BACK ASSEMBLY	N/A	1
3	DECAL - TANK DRAIN (SEE 71-2005)	N/A	2	35	EDGING *(SEVEN FEET REQUIRED)	33-0020	1
4	ISOLATOR	14-0069	4	36	DECAL - BELTGUARD IN PLACE (SEE 71-2005)	N/A	1
5	BOLT	27-0015	8	37	SHEAVE	10-0163	1
6	WASHER	28-0002	8	38	BELT	11-0046	1
7	LOCKNUT	30-0155	6	39	BUSHING	9-0009	1
8	DECAL - Mi-T-M	34-2169	1	40	BELTGUARD FRONT ASSEMBLY	854-0153	1
9	DECAL - MAINTENANCE INSTRUCTIONS (SEE 71-2005)	N/A	1	41	EDGING *(FIVE FEET REQUIRED)	33-0020	1
10	DECAL - 17" STRIPE	34-2188	1	42	BELTGUARD COVER	N/A	1
11	DECAL - OPERATING INSTRUCTIONS (SEE 71-2005)	N/A	1	43	BOLT	27-9524	6
12	WASHER	28-0008	8	44	DECAL - Mi-T-M	34-2167	1
13	WHEEL	14-0130	1	45	LOCKNUT	30-0157	10
14	AXLE	20-0420	1	46	WASHER	28-0003	20
15	COTTER PIN	43-0092	2	47	BOLT	27-0069	4
16	AIR TANK ASSEMBLY	N/A	1	48	HOSE	15-0237	1
17	DECAL - RISK OF BURNS (SEE 71-2005)	N/A	2	49	ELBOW	24-0351	1
18	DECAL - SILVER STICKER	N/A	1	50	PUMP	3-0426	1
19	PILOT VALVE	22-0470	1	51	BOLT	27-0071	4
20	AIR THROTTLE CONTROL ASSEMBLY	854-0064	1	52	DECAL - CAUTION/WARNING/DANGER (SEE 71-2005)	N/A	1
21	ELBOW	23-0316	1	53	PRESSURE GAUGE	22-0446	2
22	TUBE SUPPORT	23-0486	2	54	SAFETY VALVE	22-0228	1
23	HOSE *(TWO FEET REQUIRED)	15-0238	1	55	HOSE CLAMP	42-0011	2
24	NUT	23-0315	1	56	HOSE BARB	23-0120	1
25	AIR THROTTLE CONTROL	854-0091	1	57	BOLT	27-0067	2
26	DECAL - REWIND 212CC	N/A	1	58	HOSE BARB	23-0418	1
27	DECAL (SEE KIT 71-2005)	N/A	1	59	HOSE *(ONE FOOT REQUIRED)	15-0007	1
28	DECAL - ENGINE FUEL (SEE 71-2005)	N/A	1	60	REGULATOR	22-0326	1
29	DECAL - MUFFLER HOT (SEE 71-2005)	N/A	1	61	NIPPLE	24-0146	1
-	DECAL - CAUTION RISK OF FIRE E/S	N/A	1	62	REGULATOR MOUNTING BRACKET	20-0421A01	1
30	ENGINE	1-0088	1	63	STAR WASHER	28-1009	1
-	ENGINE	1-0221	1	64	THROTTLE CONTROL	33-0399	1
31	DECAL - CHECK OIL	34-0816	2	-	DECAL SET AIR COMPRESSOR	71-2005	1
32	KEY	43-0073	1	*MUST ORDER IN ONE FOOT LENGTHS			

PUMP ASSEMBLY (3-0425)

TORQUE SPECS		
POSITION	FT-LBS	NM
1	7.5	10
6	2	3
18	18	25
40	18	25

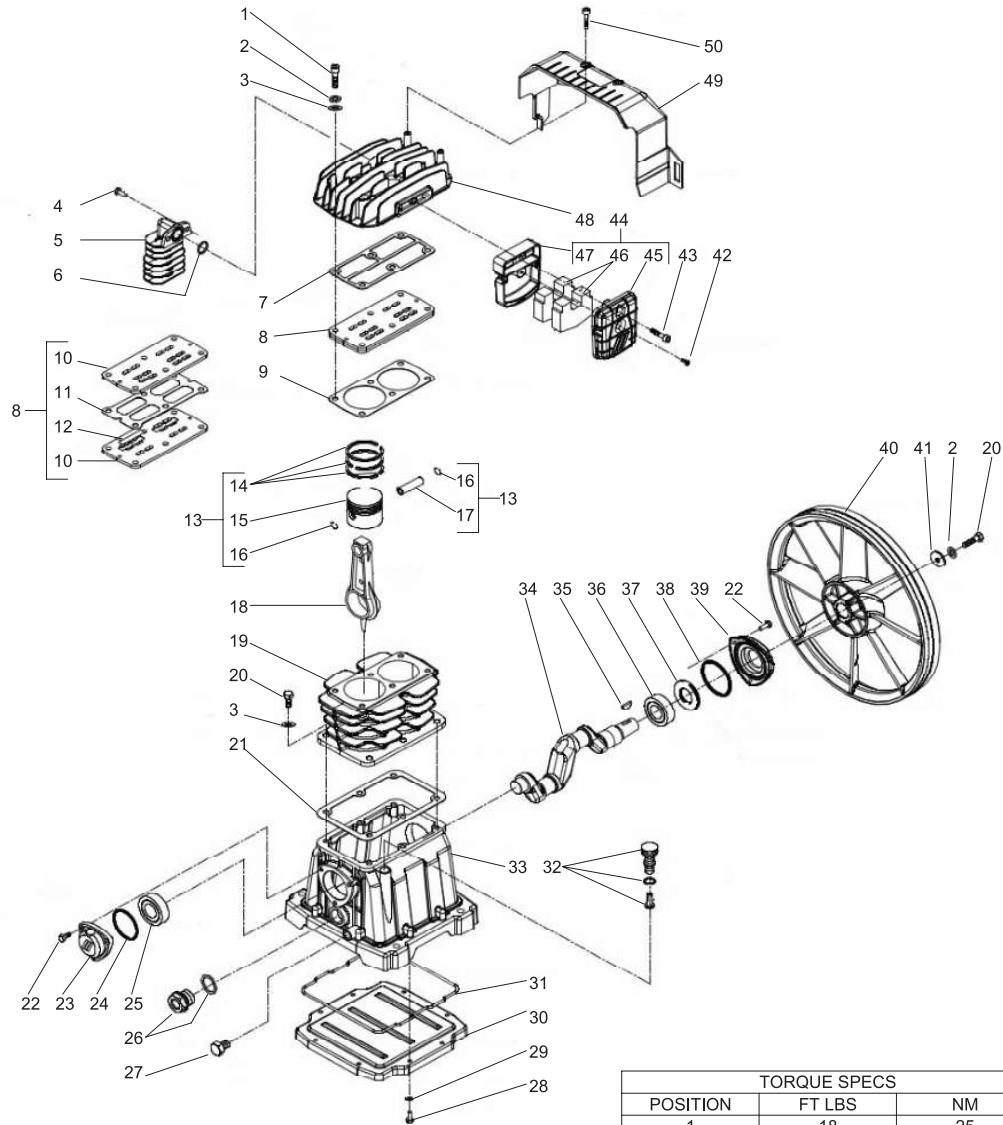


3-0425 030716 ALC

PUMP ASSEMBLY

ITEM	DESCRIPTION	PART #	QTY	ITEM	DESCRIPTION	PART #	QTY
1	BOLT	27-8906	8	22	REAR COVER CRANKCASE O-RING (SEE KIT 70-0678)	SEE KIT	1
2	AFTERCOOLER	46-1650	1	23	REAR CRANKCASE COVER	46-1656	1
3	PUMP HEAD	46-1651	1	24	OIL SIGHT GLASS ASSY	46-1657	1
4	VALVE PLATE KIT (INC. 5-10)	70-0675	1	25	BOLT	27-8878	8
5	PUMP HEAD GASKET (SEE KIT 70-0675, 70-0677, OR 70-0678)	SEE KIT	1	26	CRANKCASE BOTTOM PAN	46-1658	1
6	SCREW (SEE KIT 70-0675)	SEE KIT	8	27	CRANKCASE BOTTOM PAN GASKET (SEE KIT 70-0678)	SEE KIT	1
7	VALVE COVERS (SEE KIT 70-0675)	SEE KIT	4	28	OIL DIPSTICK ASSY	39-0382	1
8	REED VALVES (SEE KIT 70-0675)	SEE KIT	4	29	CRANKSHAFT	46-1659	1
9	REED VALVE PLATE (SEE KIT 70-0675)	SEE KIT	1	30	KEY	43-0147	1
10	REED VALVE GASKET (SEE KIT 70-0675, 70-0677, OR 70-0678)	SEE KIT	1	31	BALL BEARING	48-0100	1
11	PISTON ASSY KIT (INC. 12-15)	70-0676	2	32	OIL SEAL	26-0390	1
12	PISTON RING ASSY (SEE KIT 70-0676)	46-1652	2	33	FRONT CRANKCASE COVER	46-1660	1
13	PISTON (SEE KIT 70-0676)	SEE KIT	2	34	FLYWHEEL	10-0164	1
14	PISTON PIN (SEE KIT 70-0676)	SEE KIT	2	35	WASHER	28-0022	1
15	SNAP RING (SEE KIT 70-0676)	SEE KIT	4	36	LOCKWASHER	29-0007	7
16	CONNECTING ROD	46-1653	2	37	PUMP/CYLINDER GASKET KIT (INC. 5 & 10)	70-0677	1
17	CYLINDER	46-1654	1	38	AIR CLEANER ASSY	19-0283	1
18	BOLT	27-8062	5	39	WASHER	28-0003	6
19	CYLINDER CRANKCASE O-RING (SEE KIT 70-0678)	SEE KIT	1	40	BOLT	27-8435	6
20	CRANKCASE	46-1655	1	41	AFTERCOOLER O-RING (SEE KIT 70-0678)	SEE KIT	1
21	REAR BALL BEARING	48-0105	1	-	SET OF GASKETS KIT (INC. 5, 10, 19, 22, 27, & 41)	70-0678	1

PUMP ASSEMBLY (3-0426)



TORQUE SPECS		
POSITION	FT LBS	NM
1	18	25
4	7.5	10
20	18	25
22	7.5	10
50	1.5	2.5

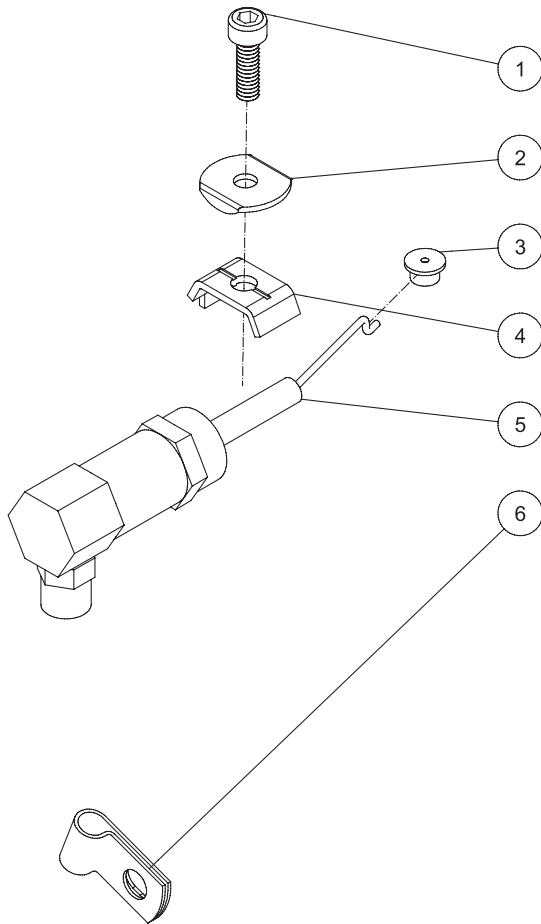
3-0426 030716 ALC

PUMP ASSEMBLY

ITEM	DESCRIPTION	PART #	QTY	ITEM	DESCRIPTION	PART #	QTY
1	BOLT	27-8435	6	27	PLUG	39-0383	1
2	LOCKWASHER	29-0007	7	28	BOLT	27-8878	8
3	WASHER	28-0003	12	29	WASHER	28-0001	8
4	BOLT	27-9531	2	30	CRANKCASE BOTTOM PAN	46-1665	1
5	AFTERCOOLER	46-1650	1	31	CRANKCASE BOTTOM GASKET (SEE KIT 70-0682)	SEE KIT	1
6	AFTERCOOLER O-RING (SEE KIT 70-0682)	SEE KIT	1	32	OIL DIPSTICK ASSY	39-0384	1
7	PUMP HEAD GASKET (SEE KIT 70-0679 OR 70-0682)	SEE KIT	1	33	CRANKCASE	46-1666	1
8	REED VALVE KIT (INC. 10-12)	70-0679	1	34	CRANKSHAFT	46-1667	1
9	BOTTOM REED VALVE GASKET (SEE KIT 70-0679 OR 70-0682)	SEE KIT	1	35	KEY	43-0148	1
10	REED VALVE PLATE (SEE KIT 70-0679)	SEE KIT	2	36	FRONT BALL BEARING	48-0106	1
11	MIDDLE REED VALVE GASKET (SEE KIT 70-0679 OR 70-0682)	SEE KIT	1	37	FRONT CRANKCASE COVER OIL SEAL (SEE KIT 70-0682)	SEE KIT	1
12	REED VALVES (SEE KIT 70-0679)	SEE KIT	4	38	FRONT CRANKCASE COVER O-RING (SEE KIT 70-0682)	SEE KIT	1
13	PISTON ASSY KIT (INC. 14-17)	70-0680	1	39	FRONT CRANKCASE COVER	46-1668	1
14	PISTON RINGS ASSY (SEE KIT 70-0680)	46-1661	2	40	FLYWHEEL	10-0165	1
15	PISTON (SEE KIT 70-0680)	SEE KIT	2	41	WASHER	28-0022	1
16	SNAP RING (SEE KIT 70-0680)	SEE KIT	4	42	SCREW (SEE KIT 70-0681)	27-8901	1
17	PISTON PIN (SEE KIT 70-0680)	SEE KIT	2	43	BOLT	27-8432	1
18	CONNECTING ROD	46-1662	2	44	AIR FILTER KIT (INC. 45-47)	70-0681	1
19	CYLINDER	46-1663	1	45	AIR FILTER COVER (SEE KIT 70-0681)	SEE KIT	1
20	BOLT	27-8062	7	46	AIR CLEANER FITLER (SEE KIT 70-0681)	19-0284	2
21	CRANKCASE TOP GASKET (SEE KIT 70-0682)	SEE KIT	1	47	AIR FILTER HOUSING (SEE KIT 70-0681)	SEE KIT	1
22	BOLT	27-8906	6	48	PUMP HEAD	46-1669	1
23	REAR CRANKCASE COVER	46-1664	1	49	PLASTIC SHROUD	46-1670	1
24	REAR CRANKCASE COVER O-RING (SEE KIT 70-0682)	SEE KIT	1	50	SCREW	27-8189	2
25	BALL BEARING	48-0097	1	-	SET OF GASKETS KIT (INC. 6, 7, 9, 11, 21, 24, 31, 37, 38)	70-0682	1
26	OIL SIGHT GLASS ASSY	46-1657	1				

SINGLE STAGE AIR THROTTLE ASSEMBLY

854-0090 033108 JJT



AIR THROTTLE ASSEMBLY			
REF. #	DESCRIPTION	PART #	QTY.
1	Bolt	N/A	1
2	Clamp	N/A	1
3	Adapter	62-0126	1
4	Engine Throttle Clip	45-0084	1
5	Air Throttle Control	33-0394	1
6	Clip	N/A	1

854-0090 033108-JJT

Manufactured by Mi-T-M
50 Mi-T-M Drive, Peosta IA 52068
563-556-7484/ Fax 563-556-1235