



Kerosene Portable Heater
MH-0400-0M10
OPERATOR'S MANUAL



 **CAUTION**
RISK OF INJURY! READ ENTIRE MANUAL BEFORE OPERATING!
THIS MANUAL IS AN IMPORTANT PART OF THE PORTABLE HEATER
AND MUST REMAIN WITH THIS UNIT!

TABLE OF CONTENTS

- INTRODUCTION..... 3
- IMPORTANT SAFETY INSTRUCTIONS..... 4**
- PORTABLE HEATER FEATURES..... 9**
- PORTABLE HEATER SPECIFICATIONS..... 10**
- ASSEMBLY..... 10**
 - COMPONENTS 10
 - ASSEMBLING FRAME AND WHEELS 11
- OPERATION..... 12**
 - KEROSENE (1-K)..... 12
 - THEORY OF OPERATION 12
 - VENTILATION 12
 - TO START HEATER 13
 - TO STOP HEATER..... 13
 - TO RESTART HEATER..... 14
 - LONG-TERM STORAGE OF HEATER 14
- MAINTENANCE 15**
 - FUEL TANK..... 15
 - FAN BLADES..... 15
 - NOZZLE..... 15
 - SPARK PLUG 15
 - PHOTOCELL 16
 - FUEL FILTER 16
 - FUEL FILTER A ON FUEL CAP..... 16
 - FUEL FILTER B ON FUEL LINE..... 16
 - PUMP PRESSURE ADJUSTMENT..... 16
 - AIR BLEED DIRECTIONS 17
- TROUBLESHOOTING 18**
- STATEMENT OF WARRANTY 19**

 WARNING

Warning: This product contains lead, a chemical known to the State of California to cause birth defects or other reproductive harm.

Wash your hands after handling this product.

 WARNING

This product contains one or more chemicals known to the State of California to cause cancer and birth defects or other reproductive harm.

INTRODUCTION

Congratulations on the purchase of your new Mi-T-M® Portable Heater! You can be assured your Mi-T-M® Portable Heater was constructed with the highest level of precision and accuracy. Each component has been rigorously tested by technicians to ensure the quality, endurance and performance of this heater.

This operator's manual was compiled for your benefit. By reading and following the simple safety, installation and operation, maintenance and troubleshooting steps described in this manual, you will receive years of trouble free operation from your new Portable Heater. The contents of this manual are based on the latest product information available at the time of publication. The Manufacturer reserves the right to make changes in price, color, materials equipment, specifications or models at any time without notice.



IMPORTANT!

A "DANGER, WARNING or CAUTION" safety warning will be surrounded by a "SAFETY ALERT BOX". This box is used to designate and emphasize Safety Warnings that must be followed when operating this heater. Accompanying the safety warnings are "Signal Words" which designate the degree or level of hazard seriousness. The "Signal Words" used in this manual are as follows:

DANGER: INDICATES AN IMMINENTLY HAZARDOUS SITUATION WHICH, IF NOT AVOIDED, WILL RESULT IN DEATH OR SERIOUS INJURY.

WARNING: INDICATES A POTENTIALLY HAZARDOUS SITUATION WHICH, IF NOT AVOIDED, COULD RESULT IN DEATH OR SERIOUS INJURY.

CAUTION: INDICATES A POTENTIALLY HAZARDOUS SITUATION WHICH, IF NOT AVOIDED MAY RESULT IN MINOR OR MODERATE INJURY OR DAMAGE TO THE HEATER.

The symbols set below are "Safety Alert Symbols". These symbols are used to call attention to items or procedures that could be dangerous to you or other persons using this equipment.



ALWAYS PROVIDE A COPY OF THIS MANUAL TO ANYONE USING THIS EQUIPMENT. READ ALL INSTRUCTIONS IN THIS MANUAL AND ANY INSTRUCTIONS SUPPLIED BY MANUFACTURERS OF SUPPORTING EQUIPMENT BEFORE OPERATING THE PORTABLE HEATER AND ESPECIALLY POINT OUT THE "SAFETY WARNINGS" TO PREVENT THE POSSIBILITY OF PERSONAL INJURY TO THE OPERATOR.

Once the unit has been uncrated, immediately write in the serial number of your unit in the space provided below.

SERIAL NUMBER _____

Inspect for signs of obvious or concealed freight damage. If damage does exist, file a claim with the transportation company immediately. Be sure that all damaged parts are replaced and that the mechanical and electrical problems are corrected prior to operation of the unit. If you require service, contact Mi-T-M® Customer Service.

Mi-T-M® Corporation, 8650 Enterprise Drive, Peosta, IA 52068
563-556-7484 / 800-553-9053 / Fax 563-556-1235
Monday - Friday 8:00 a.m. - 5:00 p.m. CST

Please have the following information available for all service calls:



1. Model Number
2. Serial Number
3. Date and Place of Purchase

IMPORTANT SAFETY INSTRUCTIONS





READ ALL SAFETY WARNINGS BEFORE USING PORTABLE HEATER



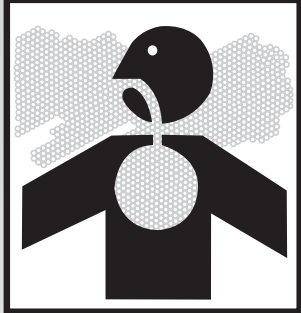
Hazard	Potential Consequence	Prevention
<p>RISK OF ELECTRIC SHOCK OR ELECTROCUTION</p> 	<p>Serious injury or death could occur if the portable heater is not properly grounded. Your heater is powered by electricity and may cause electric shock or electrocution if not used properly.</p> <p>Electrical shock may occur if it is not operated properly.</p> <p>Serious injury or death may occur if electrical repairs are attempted by unqualified persons.</p>	<p>Installation of this unit, including all electrical connections, must comply with all local, state and national codes.</p> <p>This product must be grounded. Connect to a GFCI circuit breaker when available. If the unit should malfunction or breakdown, grounding provides a path of least resistance for electric current to reduce the risk of electric shock. Do not ground to a gas supply line.</p> <p>Improper connection of the equipment-grounding conductor can result in a risk of electrocution. Check with a qualified electrician or service personnel if you are in doubt as to whether the system is properly grounded.</p> <p>Always be certain the unit is receiving proper voltage. Specified on the model plate of the heater. Use only a three-prong, grounded outlet and extension cord.</p> <p>Keep all connections dry and install the heater so that it is not directly exposed to water spray, rain, dripping water or wind.</p> <p>Any electrical wiring or repairs performed on this heater should be done by Authorized Service Personnel in accordance with National and Local electrical codes.</p> <p>Always unplug the heater when not in use.</p>
<p>RISK OF BURNS</p> 	<p>Serious injury could occur from touching exposed metal parts. These areas can remain hot for some time after the heater is turned off.</p>	<p>Never allow any part of your body or other materials to make contact with any exposed metal parts on the heater.</p>

IMPORTANT SAFETY INSTRUCTIONS






Hazard	Potential Consequence	Prevention
<p>RISK OF EXPLOSION OR FIRE</p> <div style="text-align: center;">  </div> <div style="text-align: center;">  </div>	<p>Serious injury or death may occur from normal electrical sparks in motor and pressure switch</p> <p>Serious injury may occur if the heater air inlet or outlet is blocked.</p> <p>Serious injury or death may occur if improper fuels are used, or if heater is running while refilling.</p> <p>Serious injury may occur if heater is not placed on level surface</p>	<p>Always operate heater in a well ventilated area free of flammable vapors, combustible dust, gases or other combustible materials.</p> <p>Never place objects in front of air inlet (rear) or air outlet (front) of heater. Never use duct work in front or at rear of heater. Keep all combustible material away from this heater.</p> <p>Never use fuels such as gasoline, benzene, paint thinners, or other oil compounds in this heater. Never refill the heater's fuel tank while heater is operating or still hot. This heater is EXTREMELY HOT while in operation.</p> <p>Never use this heater where flammable vapors may be present.</p> <p>Never transport heater with fuel in its tank.</p> <p>Bulk fuel storage should be a minimum of 25 ft. from heaters, torches, portable generators, or other sources of ignition. All fuel storage should be in accordance with federal, state, or local authorities having jurisdiction.</p> <p>Never move or handle heater while still hot.</p> <p>Always locate heater on a stable and level surface.</p> <p>Always keep away from children and animals.</p>

⚠ WARNING: NEVER LEAVE HEATER UNATTENDED WHILE BURNING OR WHILE CONNECTED TO A POWER SOURCE

IMPORTANT SAFETY INSTRUCTIONS

Hazard	Potential Consequence	Prevention
<p>RISK TO BREATHING</p> 	<p>Serious injury or death could occur from failure to provide proper ventilation according to this manual.</p>	<p>This is a kerosene, direct-fired, forced air heater. It is primarily intended for use for temporary heating of buildings under construction, alteration or repair. Direct-fired means that all of the combustion products of the heater enter the heated space. This appliance is rated at 98% combustion efficiency, but does produce small amounts of carbon monoxide. Carbon monoxide is toxic. Humans can tolerate small amounts of carbon monoxide, and precautions should be taken to provide proper ventilation.</p> <p>Early signs of carbon monoxide poisoning resemble the flu. Symptoms of improper ventilation are: * headache * dizziness * burning of the nose and eyes * nausea * dry mouth * sore throat.</p> <p>Use this heater only in well ventilated areas! Provide at least a three square foot (2,800 sq cm) opening of outside air for every 100,000 BTU/hr of heater rating.</p> <p>People with breathing problems should consult a physician before using the heater.</p> <p>Carbon Monoxide Poisoning: Early signs of carbon monoxide poisoning resemble flu-like symptoms such as headaches, dizziness, and/or nausea. If you have these symptoms, your heater may not be working properly.</p> <p>Get fresh air at once! Have the heater serviced. Some people are more affected by carbon monoxide than others. These include pregnant women, those with heart or lung problems, anemia, or those under the influence of alcohol, or at high altitudes.</p> <p>Never use this heater in living or sleeping areas.</p>

IMPORTANT SAFETY INSTRUCTIONS

-  **FIRE, BURN, INHALATION, AND EXPLOSION HAZARD. KEEP COMBUSTIBLES, SUCH AS BUILDING MATERIALS, PAPER OR CARDBOARD, A SAFE DISTANCE AWAY FROM THE HEATER AS RECOMMENDED BY THESE INSTRUCTIONS. NEVER USE THE HEATER IN SPACES WHICH CONTAIN PRODUCTS SUCH AS GASOLINE, SOLVENTS, PAINT THINNERS, DUST PARTICLES, VOLATILE OR AIRBORNE COMBUSTIBLES, OR ANY UNKNOWN CHEMICALS. THIS IS AN UNVENTED PORTABLE HEATER. IT USES AIR (OXYGEN) FROM THE AREA IN WHICH IT IS USED. ADEQUATE COMBUSTION AND VENTILATION AIR MUST BE PROVIDED. REFER TO VENTILATION.**
-  **CALIFORNIA RESIDENTS: THIS HEATER PRODUCES CARBON MONOXIDE, WHICH IS LISTED BY THE STATE OF CALIFORNIA AS A REPRODUCTIVE TOXIN UNDER PROPOSITION 65. NOT FOR USE IN HOMES OR RECREATIONAL VEHICLES.**
-  **MASSACHUSETTS STATE LAW PROHIBITS THE USE OF THIS HEATER IN ANY BUILDING WHICH IS USED IN WHOLE OR IN PART FOR HUMAN HABITATION. USE OF THIS HEATING DEVICE IN MASSACHUSETTS REQUIRES LOCAL FIRE DEPT. PERMIT (M.E.L.C. 148, SECTION 10A).**
-  **CANADIAN RESIDENTS: FOR USE ONLY AT CONSTRUCTION SITES IN ACCORDANCE WITH APPLICABLE NYC CODES FOR APPROVAL NUMBERS CONTACT THE MANUFACTURER.**
-  **THE NEW YORK CITY FIRE CODE PROHIBITS THE STORAGE, HANDLING AND USE OF KEROSENE FUELED HEATERS FOR SPACE HEATING. ANY PERSON VIOLATING THAT PROVISION MAY BE PUNISHED BY A FINE OF UP TO \$10,000 AND A TERM OF IMPRISONMENT UP TO 6 MONTHS.**



! SAVE THESE INSTRUCTIONS !



-  **NEVER LEAVE HEATER UNATTENDED WHILE BURNING, CONNECTED TO A POWER SOURCE, OR WHILE CONNECTED TO A FUEL SOURCE.**

 **WARNING** 

**THE FOLLOWING PAGES CONTAIN OPERATING AND
MAINTENANCE INSTRUCTIONS.**

**DO NOT ATTEMPT TO OPERATE THIS PORTABLE HEATER
UNTIL YOU HAVE READ AND UNDERSTOOD ALL SAFETY
PRECAUTIONS AND INSTRUCTIONS LISTED IN THIS MANUAL.**

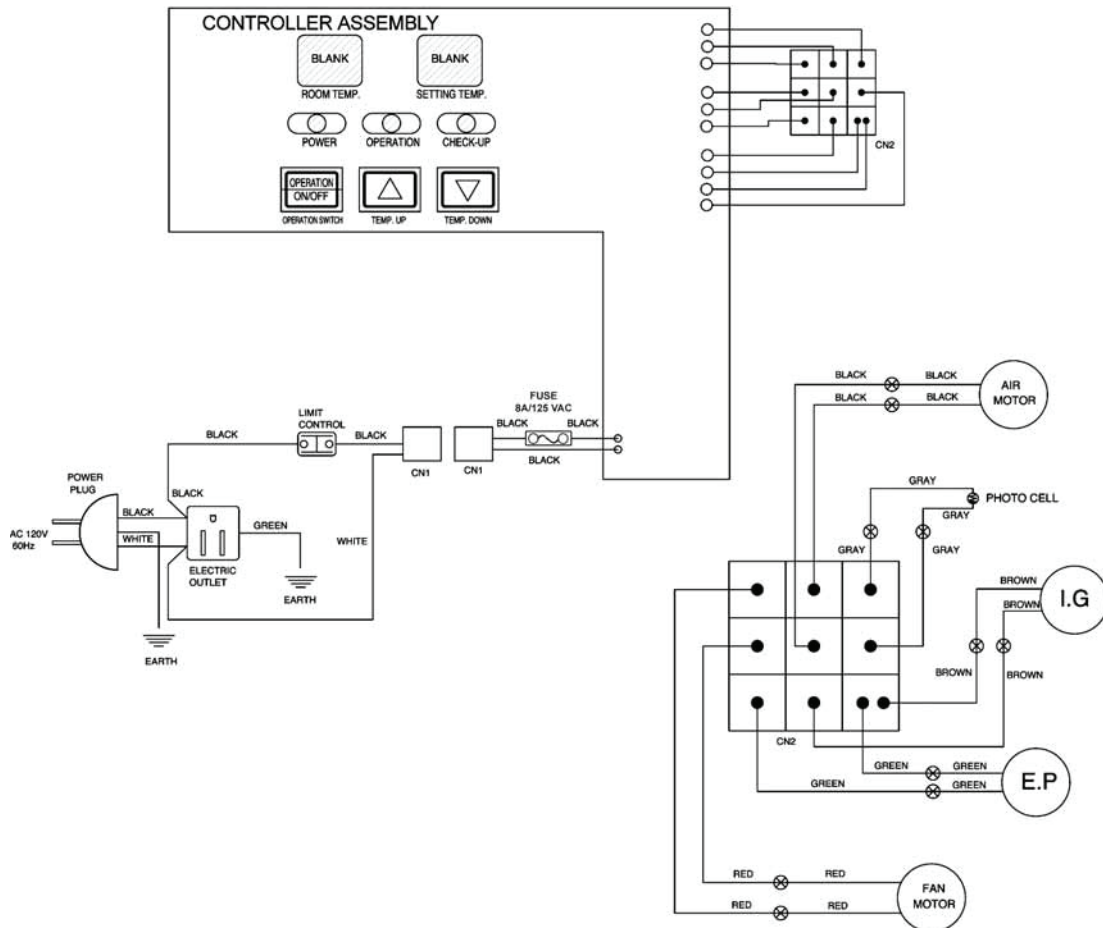
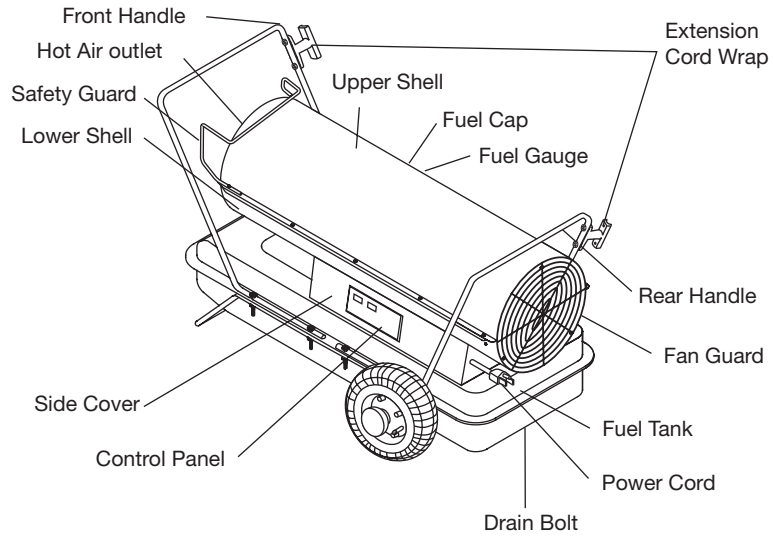
**INCORRECT OPERATION OF THIS UNIT CAN CAUSE SERIOUS
INJURY!!**

**DO NOT ALTER OR MODIFY THIS EQUIPMENT
IN ANY MANNER!**

**NEVER LEAVE HEATER UNATTENDED WHILE BURNING OR
WHILE CONNECTED TO A POWER SOURCE**

PORTABLE HEATER FEATURES

Model MH-0400-0M10

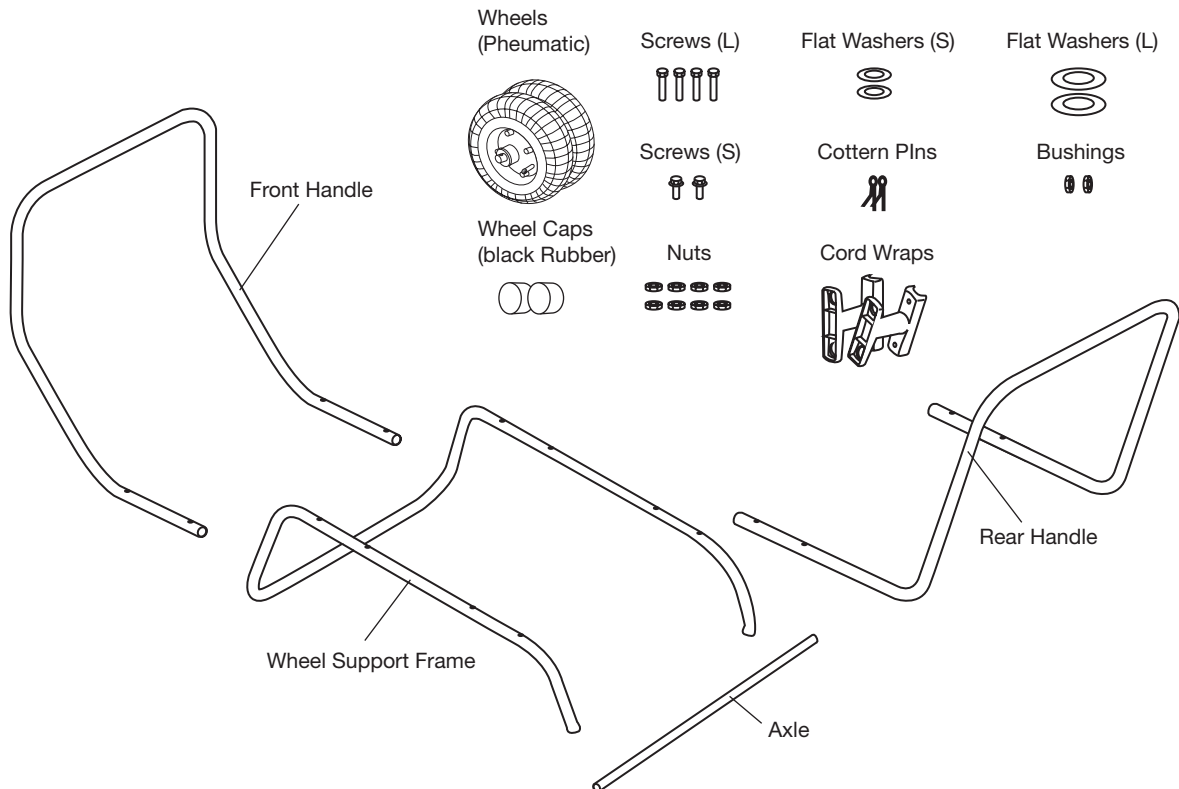


PORTABLE HEATER SPECIFICATIONS

Model	MH-0400-0M10
Rating BTU/Hr	400,000
Fuel Consumption Gal/Hr	3.0
Fuel Tank Capacity Gallons	24.0
Pump Pressure PSI	125
Volt/Hz	120V/ 60 Hz
Amps	3.0
Phase	Single
Size (L x W x H)	53" x 30" x 36"
Net Weight (Lbs)	150

ASSEMBLY

COMPONENTS



ASSEMBLY

Note: Tools required: medium phillips screw driver, open end or adjustable wrench, long nose pliers.

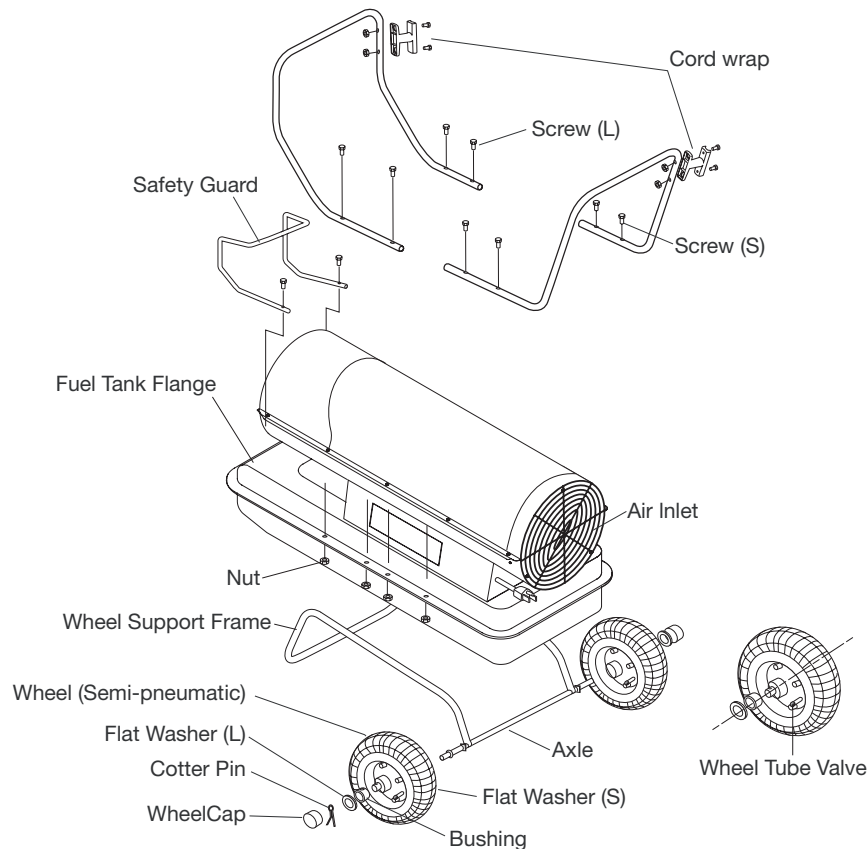
ASSEMBLING FRAME AND WHEELS

1. Slide axle through wheel support frame. Install wheel bushings, flat washers (S) and wheel on axle.

NOTE: When installing wheels, tube valve should face out from support frame.

2. Place flat washers (L) and cotter pins on axle ends and bend cotter pins with long nose pliers to secure.
3. Place wheel cap on flat washers (L) and put wheel cap in flat washers (L) end.
4. Place heater on wheel support frame. Make sure air inlet end (rear) of heater is over wheels. Align the holes on fuel tank flange. Insert screws through handles (front and rear), fuel tank flange, and wheel support frame as shown in below and attach nut finger tight after each screw is inserted.
5. After all screws are inserted, tighten nuts firmly.

⚠ DO NOT OPERATE HEATER WITHOUT SUPPORT FRAME FULLY ASSEMBLED TO TANK.



⚠ NEVER LEAVE HEATER UNATTENDED WHILE BURNING, CONNECTED TO A POWER SOURCE, OR WHILE CONNECTED TO A FUEL SOURCE.

OPERATION

KEROSENE (1-K)

For optimal performance of this heater, it is strongly suggested that 1-K kerosene be used. 1-K kerosene has been refined to virtually eliminate contaminants, such as sulfur, which can cause a rotten egg odor during the operation of the heater. However, #1, #2 (diesel fuel), JP-8 or Jet A fuel oil may also be used if 1-K kerosene is not available. Be advised that these fuels do not burn as clean as 1-K kerosene, and care should be taken to provide more fresh air ventilation to accommodate any added contaminants that may be added to the heated space.

NOTE: Kerosene should only be stored in a blue container that is clearly marked “kerosene”.

Never store kerosene in a red container. Red is associated with gasoline.

- NEVER store kerosene in the living space. Kerosene should be stored in a well ventilated area outside the living area.
- NEVER use fuel such as gasoline, benzene, alcohol, white gas, camp stove fuel, paint thinners, or other oil compounds in this heater (THESE ARE VOLATILE FUELS THAT CAN CAUSE A FIRE OR EXPLOSION).
- NEVER store kerosene in direct sunlight or near a source of heat.
- NEVER use kerosene that has been stored from one season to the next. Kerosene deteriorates over time. OLD KEROSENE WILL NOT BURN PROPERLY IN THIS HEATER.
- Use 1-K kerosene in this heater. #1, #2 (diesel fuel), JP-8, or Jet A fuel oil is a suitable substitute.
- Use of #1 or #2 fuel oil will require increased maintenance of unit.

THEORY OF OPERATION

Fuel System: This heater is equipped with an electric magnet pump that forces fuel through the fuel line connected to the fuel intake, and then through a nozzle in the burner head. This fuel is then sprayed into the combustion chamber in a fine mist.

“Sure Fire Ignition”: The electronic ignitor sends voltage to a specially designed spark plug. The spark plug ignites the fuel and air mixture

The Air System: The heavy duty motor turns a fan that forces air into and around the combustion chamber. Here, the air is heated and then forced out the front of the heater.

Temperature Limit Control: This heater is equipped with a Temperature Limit Control designed to turn the heater off should the internal temperature rise to an unsafe level. If this device activates and turns your heater off, it may require service. Once the temperature falls below the reset temperature, you will be able to start your heater.

Electrical System Protection: This heater’s electrical system is protected by a fuse that protects it and other electrical components from damage. Fuse is located inside of an in-line “FUZE BARREL”. If your heater fails to operate, check this fuse first and replace as needed. Refer to Specification Chart in this manual.

Flame-Out Sensor: Utilizes a photocell to monitor the flame in burn chamber during normal operation. It will cause the heater to shut off should the burner flame extinguish.

FUELING YOUR HEATER: Never fill the heater fuel tank in the living space, fill the tank outdoors. Do not overfill your heater and be sure heater is leveled.

 **WARNING: NEVER REFILL FUEL TANK WHEN HEATER IS OPERATING OR STILL HOT.**

IMPORTANT: REGARDING FIRST IGNITION OF HEATER. The first time you light the heater, it should be done OUTDOORS. This allows the oils, etc. used in manufacturing the heater to burn off outside.

CLEARANCES

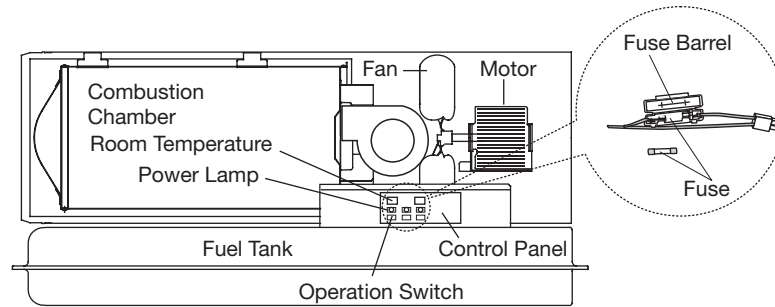
Minimum clearances to outlet is 8 feet. Top, rear and sides minimum of 4 ft.

VENTILATION

 **WARNING: RISK OF INDOOR AIR POLLUTION. USE HEATER ONLY IN WELL VENTILATED AREAS.**

 **NEVER LEAVE HEATER UNATTENDED WHILE BURNING, CONNECTED TO A POWER SOURCE, OR WHILE CONNECTED TO A FUEL SOURCE.**

OPERATION



Provide a fresh air opening of at least 3 square feet. (2,800 sq. cm.) for each 100,000 BTU/Hr. rating. Provide extra fresh air if more heaters are being used.

⚠ WARNING: NEVER LEAVE HEATER UNATTENDED WHILE BURNING OR WHILE CONNECTED TO A POWER SOURCE

TO START HEATER

1. Fill fuel tank with kerosene or No. 1 fuel oil.
2. Attach fuel cap.
3. Plug power cord into three-prong, grounded extension cord. Extension cord must be at least six feet long.

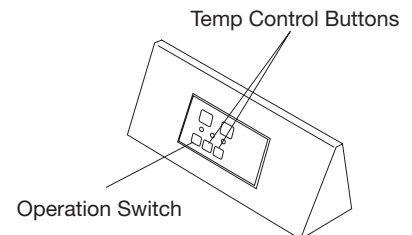
Extension Cord Wire Size Requirements:

- 6 to 10 feet long, use 14 AWG conductor.
 - 101 to 200 feet long, use 12 AWG conductor.
 - 201 to 300 feet long, use 10 AWG conductor.
 - 301 to 400 feet long, use 8 AWG conductor.
 - 401 to 500 feet long, use 6 AWG conductor.
4. Push "OPERATION BUTTON". Power indicator lamp and room temperature display will light and heater will start. Push the up and down arrow keys on the control panel to adjust the thermostat settings.

If heater does not start, the thermostat setting may be too low. Push "TEMP CONTROL UP ARROW" to higher setting to start heater. If heater still does not start, see Troubleshooting Chart.

NOTE: The major electrical components of this heater are protected by a circuit breaker (fuse) mounted to the power switch. If your heater fails to start, check this first and replace as necessary. You should also check your power source to insure that proper voltage and frequency are being supplied to the heater.

NOTE: When using diesel fuel in cold ambient temperatures (below 35° F) fuel additives will be required to prevent the diesel fuel from "jelling". Follow the mixing instructions provided by the diesel additive supplier for the correct additive/fuel ratio.



TO STOP HEATER

⚠ WARNING: NEVER UNPLUG HEATER WHILE HEATER IS RUNNING.

Heater must go through cooling cycle. The cooling cycle cools the combustion chamber. Damage to heater can occur if combustion chamber is not cooled. Do not restart heater until cooling cycle is complete.

1. Push "OPERATION BUTTON", This will cause heater flame to go out. The motor will continue to run during the cooling cycle. This allows the fan to cool the combustion chamber. When the cooling cycle (approx. 2 minutes) is finished, the motor will stop. Do not unplug heater until cooling cycle is finished.
2. Disconnect heater from power source.

OPERATION

3. To temporarily stop heater, set thermostat at a temperature lower than air around heater. Heater will cycle back on if air temperature around heater is lower than thermostat setting.

TO RESTART HEATER



CAUTION: DO NOT RESTART HEATER UNTIL COOLING CYCLE IS FINISHED.

The cooling cycle cools the combustion chamber.

1. Wait until cooling cycle is finished after stopping heater.
2. Repeat steps under TO START HEATER.

LONG-TERM STORAGE OF HEATER

1. Remove drain bolt from rear bottom side of fuel tank by unscrewing bolt and drain.
2. Using a small amount of kerosene, swirl and rinse the inside of the tank. **NEVER MIX WATER WITH KEROSENE**, as it will cause rust inside the tank. Pour the kerosene out, making sure that you remove it all.

IMPORTANT: Do not store kerosene over summer for use during next heating season. Using old fuel may damage heater.

3. Reinstall drain bolt as follows:
 - Insert bolt's seal head fully into drain hole so that flange is flush to tank's bottom.
 - Insert seal cap fully into head hole so that cap flange is flush to head flange.

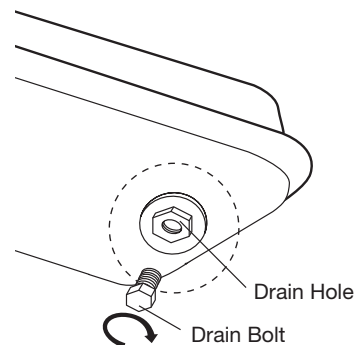
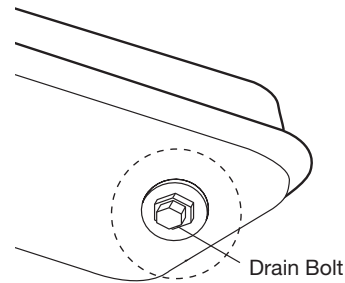
IMPORTANT: Reinstall bolt fully into hole in tank; otherwise it will not seal completely.

- Make sure storage place is free of dust and corrosive fumes.
- Store the heater in the original box with the original packing material and keep **USER'S MANUAL** with heater.

NOTE: Using Diesel fuel can cause excess soot production.



NEVER LEAVE HEATER UNATTENDED WHILE BURNING, CONNECTED TO A POWER SOURCE, OR WHILE CONNECTED TO A FUEL SOURCE.



MAINTENANCE

⚠ WARNING: NEVER SERVICE HEATER WHILE IT IS PLUGGED IN OR WHILE HOT!

NOTE: USE ORIGINAL EQUIPMENT REPLACEMENT PARTS. Use of third party or other alternate components will void warranty and may cause unsafe operating conditions.

FUEL TANK

- Flush every 200 hours of operation or as needed (See Storage).

FAN BLADES

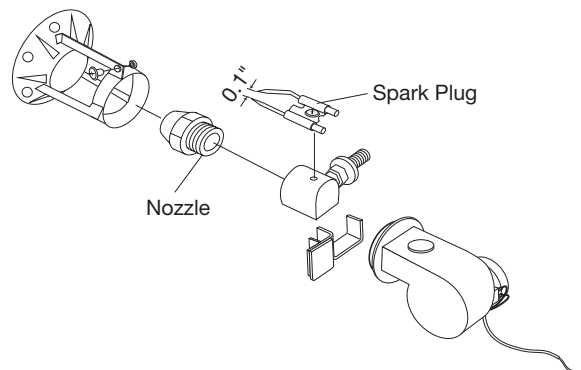
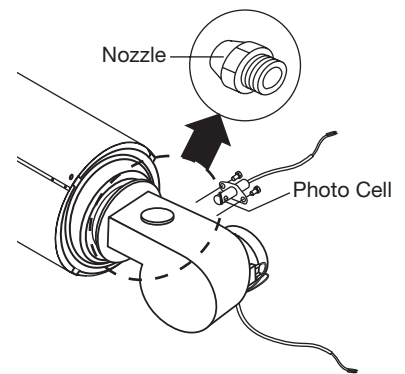
CLEAN EVERY SEASON OR AS NEEDED.

- Remove upper shell (See air intake filter).
- Use Allen wrench to loosen set screw which holds fan blade to motor shaft.
- Slip fan blade off motor shaft.
- Clean fan blade using soft cloth moistened with kerosene or solvent.
- Dry fan blade thoroughly.
- Reinstall fan blade to motor shaft.
- Place fan hub flush with end of motor shaft.
- Place set screw on flat end of shaft.
- Tighten screw firmly (40-50 inch pounds/ 4.5-5.6 N-m). Reinstall upper shell

NOZZLE

Remove dirt in nozzle as needed.

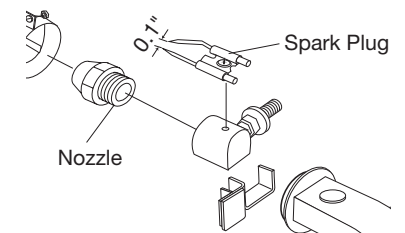
- Remove upper shell.
- Remove fuel line B from burner assembly by using wrench.
- Remove burner head from burner assembly.
- Remove lead wire from spark plug.
- Remove spark plug from burner head.
- Carefully remove nozzle from burner head using socket wrench.
- Blow compressed air through face of nozzle (This will remove any dirt).
- Inspect nozzle for damage. If damaged or clogged, replace nozzle.
- Make sure plug is in place on burner head.
- Reinstall nozzle into burner head and tighten firmly (175-200 inch-pounds).
- Reinstall spark plug in burner head.
- Attach burner head to combustion chamber.
- Attach spark plug wire to spark plug
- Attach fuel line to burner head and tighten firmly.
- Replace upper shell.
- Attach ignitor wire to spark plug.
- Attach fuel and air line hoses to burner head.
- Reinstall fan blade and upper shell.



SPARK PLUG

CLEAN AND REGAP EVERY 600 HOURS OF OPERATION OR REPLACE AS NEEDED.

- Remove upper shell.
- Remove spark plug wire from spark plug.
- Remove spark plug from burner head using medium Phillips screwdriver.
- Clean and regap spark plug electrodes to 3.5 mm gap (+/- 0.5mm).
- Reinstall spark plug into burner head.
- Attach spark plug wire to spark plug.
- Reinstall upper shell.



⚠ NEVER LEAVE HEATER UNATTENDED WHILE BURNING, CONNECTED TO A POWER SOURCE, OR WHILE CONNECTED TO A FUEL SOURCE.

MAINTENANCE

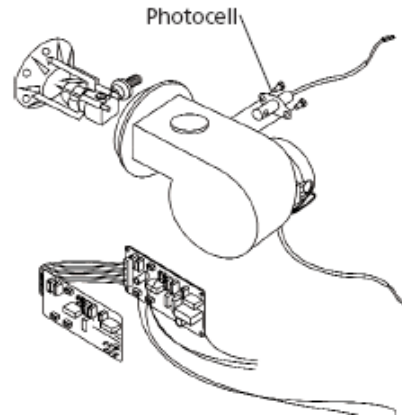
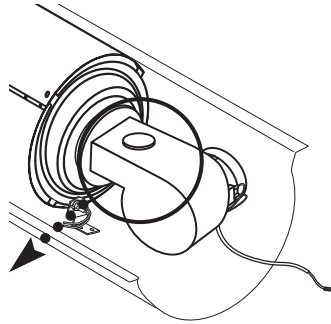
PHOTOCELL

CLEAN PHOTOCELL ANNUALLY OR AS NEEDED.

- Remove upper shell.
- Remove fan (See fan blades).
- Remove photocell from its mounting bracket
- Clean photocell lens with cotton swab.

TO REPLACE: Remove side cover near Operation switch.

- Disconnect wires from Operation switch and remove photocell.
- Disconnect wires from circuit board and remove side cover.
- Install new photocell and attach wires to circuit board.
- Replace switch wires to operation switch and side cover.
- Replace fan and upper shell.



FUEL FILTER

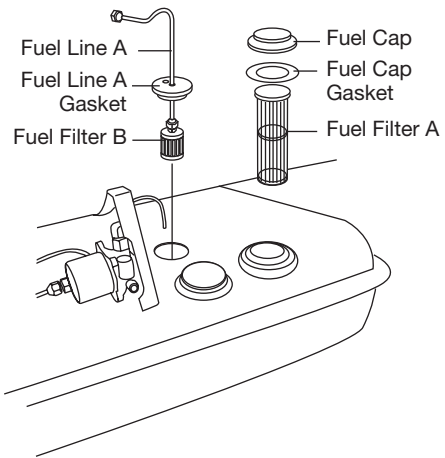
CLEAN TWICE PER HEATING SEASON OR AS NEEDED.

FUEL FILTER A ON FUEL CAP

- Remove fuel cap.
- Take out fuel filter with clean kerosene.
- Wash fuel filter with clean kerosene.
- Replace fuel filter on fuel tank.
- Replace fuel cap on fuel tank.

FUEL FILTER B ON FUEL LINE

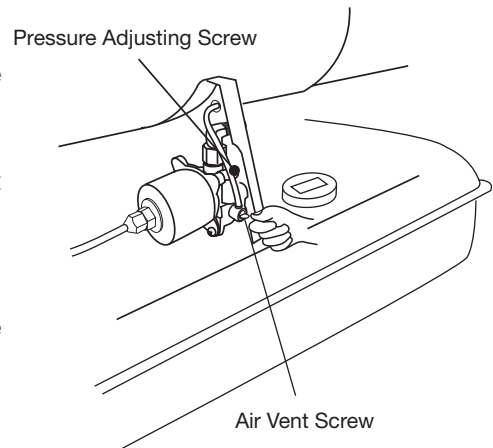
- Remove fuel line A from fuel pump by using wrench.
- Take out fuel line from fuel tank by pulling out fuel filter gasket.
- Remove fuel filter assembly from fuel line
- Wash fuel filter in clean kerosene.
- Reassemble fuel filter in reverse order.



PUMP PRESSURE ADJUSTMENT

1. Remove right side panel. (If not using an accessory fuel pressure gauge, please skip to #4)
2. Remove air vent screw.
3. Insert accessory fuel pressure gauge at outlet of air vent screw.
4. Adjust pump pressure by turning pressure adjusting screw.
5. Turn pressure adjusting screw clockwise to increase pressure.
6. Turn pressure adjusting screw counterclockwise to decrease pressure.

NOTE: Using heater without proper maintenance can lead to poor combustion and soot production.



⚠ NEVER LEAVE HEATER UNATTENDED WHILE BURNING, CONNECTED TO A POWER SOURCE, OR WHILE CONNECTED TO A FUEL SOURCE.

MAINTENANCE

7. Set pump pressure to 125 PSI (+/- 6PSI).

We recommend pump pressure adjusting is not needed if red markings on pump body and pressure adjusting screw are aligned with each other.

NOTE: Use only original equipment replacement parts. Use of alternate or third party components will void any warranty and may cause unsafe operating conditions.

8. Stop heater (See OPERATION in this manual).
9. If accessory pressure gauge is being used, remove pressure gauge.
10. Replace pressure gauge, and plug in end of filter cover.

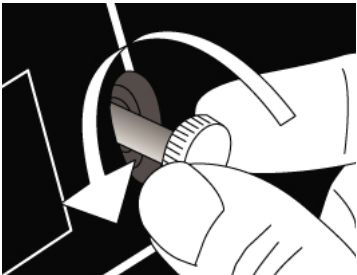
NOTE: If heater does not ignite when heater is turned on, please turn AIR VENT SCREW counter clockwise to release air, then turn OPERATION SWITCH back on.

NOTE: An accessory service fuel pressure gauge is available for accurate fuel pressure testing.

AIR BLEED DIRECTIONS

If your heater fails to ignite, having air trapped in the fuel pump may be the cause. Air in the fuel pump will cause ignition failure and is often accompanied by a loud "grinding" or vibrating sound being made by the fuel pump. This heater is designed to easily remove any air in the fuel pump by simply following the Air Bleeding Procedure below:

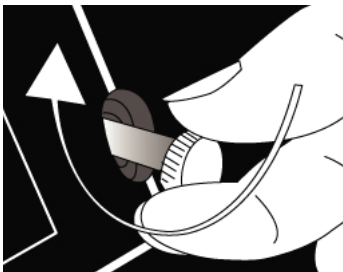
1. Fill fuel tank with kerosene or No. 1 fuel oil. Turn the Air Vent Screw 3 full turns counterclockwise from the factory closed / fully clockwise position. (This will allow air to escape during operation).



2. Start the ignition sequence by following the standard ignition procedures.
3. Allow the heater to attempt ignition for 3-5 seconds, during which time you may hear a loud "grinding" or vibration sound.
4. If your heater has not ignited, re-start the ignition sequence. Once the heater has ignited, turn the Air Vent Screw clockwise until fully hand tightened.

Any air trapped in the fuel pump will have been purged.

5. Your heater is now ready for operation.
6. Re-fill your heater with fuel before it runs out. This will prevent the fuel lines and fuel pump from drawing in air and having to go through the air bleeding procedure again.



NOTE: Using heater without proper maintenance can lead to poor combustion and soot production.

⚠ NEVER LEAVE HEATER UNATTENDED WHILE BURNING, CONNECTED TO A POWER SOURCE, OR WHILE CONNECTED TO A FUEL SOURCE.

TROUBLESHOOTING

SYMPTOM

PROBABLE CAUSE

REMEDY

Heater fires, but Main PCB shuts heater off after a short period of time. Lamp is flickering, and LED display shows "E1".

1. Incorrect pump pressure
2. Dirty Fuel Filter
3. Nozzle is Dirty
4. Photocell lens is Dirty
5. Photocell not installed properly
6. Photocell Defective
7. Improper electrical connection between Main PCB and Photocell.

1. Adjust Pump Pressure
2. Clean/replace Fuel Filter
3. Clean/replace Nozzle
4. Clean/replace Photocell
5. Adjust Photocell position
6. Replace Photocell
7. Check wiring connections (See Wiring Diagrams)

Heater will not operate, or motor runs for short time. Lamp flickers and LED display shows "E1".

1. No kerosene in fuel tank
2. Incorrect pump pressure
3. Corroded Spark Plug or incorrect plug gap.
4. Dirty Fuel Filter
5. Dirty Nozzle
6. Moisture in Fuel/Fuel Tank
7. Improper electrical connection between Transformer and Circuit Board
8. Ignitor Wire not connected to Spark Plug
9. Defective Ignitor
10. Air in Fuel Line
11. Ambient temperature below 35°F

1. Fill tank with fresh kerosene
2. Adjust Pump Pressure
3. Clean/replace Spark Plug
4. Clean/replace Fuel Filter
5. Clean/replace Nozzle
6. Rinse out fuel tank with clean fresh kerosene
7. Inspect all electrical connections. See Wiring Diagrams
8. Re-attach Ignitor wire to Spark Plug
9. Replace Ignitor
10. Bleed air from line
11. Add fuel additives to keep fuel from jelling.

Fan does not operate when heater is plugged in and Power Switch is in the "ON" position. The lamp is flickering or on and LED Display shows "E1" or "E2".

1. Thermostat is set too low
2. Broken electrical connection between Main PCB and motor

1. Rotate thermostat to a higher setting
2. Inspect all electrical connections. See Wiring Diagrams

Lamp is flickering, and LED display shows "E3"

1. Thermostat Switch has failed
2. Short Circuit

1. Replace Thermostat Switch.
2. Check Wiring Diagrams and connection

Lamp is flickering, and LED display shows "E4"

1. Sensor Disconnected

1. Check limit control thermostat
2. Check sensor connection

Lamp is flickering, and LED display shows "E5"

1. Temperature limit safety device is overheated

1. Wait until unit cools down

Poor Combustion

1. Flames extending beyond heater and low heat output

1. Align the red mark between the air screw and pump body.

Heater does not turn on

1. No power supply to heater

1. Check/replace Fuse



STATEMENT OF WARRANTY

Mi-T-M warrants this heater to the original retail purchaser only, to be free from defects in material and workmanship for a period of

one (1) year from the date of initial purchase.

This product must be properly installed, maintained and operated in accordance with the instructions provided. Mi-T-M requires reasonable proof of your date of purchase from an authorized retailer or distributor. Therefore, you should keep your sales slip, invoice, or cancelled check from the original purchase.

EXCLUSIONS

1. This Limited Warranty shall be limited to the repair or replacement of parts, which prove defective Mi-T-M shall determine at its reasonable discretion. This warranty does not include wear items: filters, vanes, nozzles, and rotors.
2. This Limited Warranty does not cover any failures or operating difficulties due to normal wear and tear, accident, abuse, misuse, alteration, misapplication, improper installation or improper maintenance and service by you or any third party. Failure to perform normal and routine maintenance on the heater, shipping damage, damage related to insects, birds, or animals of any kind, and damage due to weather conditions are also not covered.
3. In addition, the Limited Warranty does not cover damage to the finish, such as scratches, dents, discoloration, rust or other weather damage, after purchase.

All transportation costs for the return of the damaged product or parts will be the responsibility of the purchaser. Upon receipt of damaged item, Mi-T-M will examine the item and determine if defective. Mi-T-M will repair or replace and return the item, freight pre-paid. If Mi-T-M finds the item to be in normal operating condition, or not defective, the item will be returned freight collect.

This Limited Warranty is in lieu of all other express warranties. Mi-T-M disclaims all warranties for products that are purchased from sellers other than authorized retailers or distributors.

AFTER THE PERIOD OF THE ONE (1) YEAR EXPRESS WARRANTY EXPIRES, MI-T-M DISCLAIMS ANY AND ALL IMPLIED WARRANTIES, INCLUDING WITHOUT LIMITATION THE IMPLIED WARRANTIES OF MERCHANTABILITY AND FITNESS FOR A PARTICULAR APPLICATION. FURTHER, MI-T-M SHALL HAVE NO LIABILITY WHATSOEVER TO PURCHASER OR ANY THIRD PARTY FOR ANY SPECIAL, INDIRECT, PUNITIVE, INCIDENTAL, OR CONSEQUENTIAL DAMAGES.

Mi-T-M assumes no responsibility for any defects caused by third parties. This Limited Warranty gives the purchaser specific legal rights; a purchaser may have other rights depending upon where he or she lives. Some states do not allow the exclusion or limitation of special, incidental or consequential damages, or limitations on how long a warranty lasts, so the above exclusion and limitations may not apply to you. Mi-T-M does not authorize any person or company to assume for it any other obligation or liability in connection with the sale, installation, use, removal, return, or replacement of its equipment, and no such representations are binding on Mi-T-M. Always be sure to specify model number and serial number when making any claim with Mi-T-M.

**For Service or Warranty Consideration, contact
Mi-T-M® Corporation, 8650 Enterprise Drive, Peosta, IA 52068
563-556-7484 / 800-553-9053 / Fax 563-556-1235
Monday - Friday 8:00 a.m. - 5:00 p.m. CST**

TABLE OF CONTENTS

INTRODUCTION 22

IMPORTANTES CONSIGNES DE SECURITE 22

CARACTÉRISTIQUES 28

SPÉCIFICATIONS 29

ASSEMBLAGE 29

FONCTIONNEMENT..... 31

ENTRETIEN..... 34

DÉPANNAGE 37

GARANTIE LIMITÉE 38

⚠WARNING

AVERTISSEMENT: Ce produit contient du plomb, un produit chimique qui est connu par l'état de Californie comme étant la cause de cancer et de malformations congénitales ou autres effets nocifs de reproduction.

Laver vos mains après avoir manipulé ce produit.

⚠AVERTISSEMENT

Ce produit contient un ou plusieurs produits chimiques qui sont connus par l'état de Californie comme étant la cause de cancer, de défauts de naissance et d'autres problèmes reproductifs.

INTRODUCTION

Félicitations de l'achat de votre nouveau le radiateur! Vous pouvez être assuré que votre nouveau le Chauffage à air pulsé a été construit avec le plus haut niveau de précision et de fiabilité. Chaque composant a été rigoureusement testé par des techniciens pour assurer la qualité, la durabilité et la performance de chauffage à air pulsé.

Ce manuel opérateur a été dressé pour que vous en retirez le meilleur parti. Par la lecture et l'application des mesures simples de sécurité, d'installation et d'opération, d'entretien et de dépannage décrites dans ce manuel, votre nouveau le Chauffage à air pulsé fonctionnera sans faille pendant de nombreuses années. Le contenu de ce manuel est basé sur la dernière information disponible du produit au moment de la publication. Mi-T-M® se réserve le droit d'effectuer des changements de prix, de couleur, de matériaux, d'équipement, de caractéristiques ou de modèles à tout moment sans communication préalable.



IMPORTANT!

Les avertissements de sécurité "DANGER, AVERTISSEMENT ou ATTENTION" seront entourés par un "ENCADRE ALERTE SECURITE". Cet encadré est utilisé pour indiquer et souligner les avertissements de sécurité qui doivent être suivis en chauffage à air pulsé. En plus des avertissements de sécurité, des "mots d'alerte" sont utilisés pour indiquer le degré ou niveau de risque. Les "mots d'alerte" utilisés dans ce manuel sont comme suit:

DANGER: INDIQUE UNE SITUATION AU DANGER IMMINENT QUI, SI ELLE N'EST PAS ÉVITÉE, ENTRAÎNERA LA MORT OU DES BLESSURES GRAVES.

AVERTISSEMENT: INDIQUE UNE SITUATION POTENTIELLEMENT DANGEREUSE QUI, SI ELLE N'EST PAS ÉVITÉE, POURRAIT ENTRAÎNER LA MORT OU DES BLESSURES GRAVES.

ATTENTION: INDIQUE UNE SITUATION POTENTIELLEMENT DANGEREUSE, QUI, SI ELLE N'EST PAS ÉVITÉE, PEUT ENTRAÎNER DES BLESSURES MINEURES OU PEU GRAVES ET DES DÉGATS AU COMPRESSEUR.



Les symboles placés à gauche de ce paragraphe sont des "symboles d'alerte de sécurité". Ces symboles sont utilisés pour souligner les points ou les procédures qui pourraient être dangereuses pour vous ou tout autre personne utilisant cet équipement.

Fournissez toujours une copie de ce manuel à toute personne utilisant cet équipement. Lisez toutes les instructions dans ce manuel et toutes instructions fournies par les fabricants d'équipement de support avant d'utiliser ce compresseur d'air et attirer spécialement l'attention aux "Avertissements de Sécurité" pour éviter la possibilité de blessures pour l'utilisateur.

Une fois l'appareil déballé, écrivez immédiatement le numéro de série de votre appareil dans l'espace ci-dessous.

NUMERO DE SERIE _____



Assurez-vous qu'il n'y a pas de signes de dommages évidents ou cachés suite au transport. En cas de dommage, remplissez immédiatement une réclamation avec la compagnie de transport. Assurez-vous que toutes les pièces endommagées sont remplacées et les problèmes mécaniques et électriques corrigés avant l'utilisation de l'appareil. Si vous avez besoin d'assistance, entrez en contact avec votre service clientèle.

Mi-T-M® Corporation, 8650 Enterprise Drive, Peosta, IA 52068
563-556-7484 / 800-553-9053 / Fax 563-556-1235
du lundi au vendredi de 8h00 à 17h, CST (heure centrale)

Veuillez avoir les informations suivantes disponibles pour toute intervention:

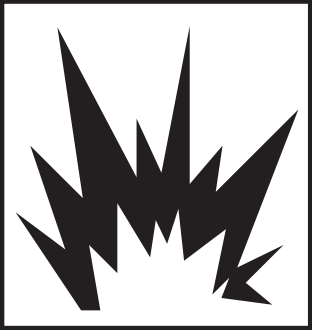

1. Numéro de modèle
2. Numéro de série
3. Date et lieu d'achat

IMPORTANTES CONSIGNES DE SECURITE

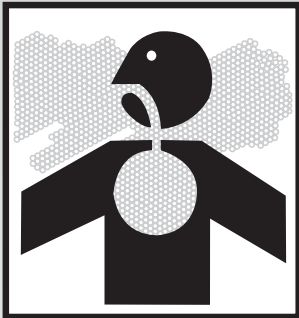
Hazard	Potential Consequence	Prevention
<p style="text-align: center;">RISQUE DE DÉCHARGE ÉLECTRIQUE OU D'ÉLECTROCUTION</p> 	<p>Des étincelles électriques dans le moteur et l'interrupteur de pression peuvent être la cause de blessures graves ou la mort.</p> <p>Une décharge électrique peut se produire si le compresseur n'est pas utilisé correctement.</p> <p>Des risques de mort ou de blessures graves peuvent survenir si des réparations électriques sont effectuées par des personnes inexpérimentées.</p>	<p>tous les branchements électriques, doivent respecter tous les codes locaux et nationaux.</p> <p>Cet appareil doit être mis à la terre. Connecter le à un disjoncteur mis à la terre si il y en a un de disponible. Si l'appareil s'avère défectueux ou tombe en panne, la mise à la terre offre un trajet de moindre résistance au courant électrique pour réduire le risque de décharges électriques. Ne pas mettre à la terre à une ligne d'alimentation de gaz.</p> <p>Une connexion inappropriée du conducteur de mise à la terre d'équipement peut provoquer un risque d'électrocution. Consulter un électricien qualifié en cas de doute sur la mise à la terre du système.</p> <p>Soyez toujours certain que l'appareil reçoit un voltage correct (+/-5% du voltage inscrit sur la plaque du fabricant). Avant de faire des raccordements électriques, soyez certain que les interrupteurs sont en position d'ARRET (OFF).</p> <p>Garder tous les branchements au sec et au dessus du sol. Ne jamais faire fonctionner le compresseur dans des conditions humides.</p> <p>Toutes réparations ou tout câblage électrique effectués sur le compresseur doivent être effectués par le personnel d'un centre de service autorisé qualifié conformément aux codes d'électricité locaux et nationaux.</p>
<p style="text-align: center;">RISQUE DE BRULURES</p> 	<p>Le fait de toucher les surfaces de métal exposées peut causer de graves blessure. Ces surfaces peuvent rester chaudes pendant un certain temps après l'arrêt du chauffage.</p>	<p>Le fait de toucher les surfaces de métal exposées peut causer de graves blessure. Ces surfaces peuvent rester chaudes pendant un certain temps après l'arrêt du chauffage.</p>

⚠ ADVERTISSEMENT: NE JAMAIS LAISSER UN CHAUFFAGE À AIR PULSÉ SANS SURVEILLANCE LORSQU'IL BRULE OU LORSQU'IL EST BRANCHE A UNE SOURCE D'ALIMENTATION.






IMPORTANTES CONSIGNES DE SECURITE

Hazard	Potential Consequence	Prevention
<p>RISQUES D'INCENDIE ET D'EXPLOSION</p> <div style="text-align: center;">   </div>	<p>Des étincelles électriques dans le moteur et l'interrupteur de pression peuvent être la cause de blessures graves ou la mort.</p> <p>Des blessures graves peuvent survenir si la prise ou la sortie d'air du chauffage est obstruée..</p> <p>Des blessures graves, voire la mort, peuvent survenir si le bon carburant n'est pas utilisé ou si le chauffage fonctionne durant le ravitaillement.</p> <p>Toujours placer le chauffage sur une surface stable et plane à l'écart des enfants et des animaux.</p>	<p>N'utiliser ce chauffage que dans un endroit bien ventilé libre de vapeurs inflammables, de poussière combustible ou de toute autre matière combustible.</p> <p>Ne jamais placer d'objets devant la prise d'air (à l'arrière) ou la sortie d'air(à l'avant). N'utiliser jamais de système de canalisation d'air à l'avant ou à l'arrière du chauffage. Eloigner du chauffage toutes les matières combustibles.</p> <p>NE JAMAIS utiliser de carburants tels que l'essence, le benzène, les diluants de peinture ou autres composés d'huile dans ce chauffage (RISQUE D'INCENDIE OU D'EXPLOSION) NE JAMAIS bouger ou manipuler le chauffage lorsqu'il est encore chaud.</p> <p>NE JAMAIS transporter le chauffage avec du carburant dans son réservoir.</p> <p>L'entreposage de carburant en gros doit être maintenu à une distance d'un minimum de 25 pieds (7m60) des chauffages, torches, groupes électrogènes portables ou toutes autres sources d'inflammation. Tout entreposage de carburant doit être conforme aux réglementations des autorités locales, d'état ou fédérale ayant juridiction.</p> <p>NE JAMAIS bouger ou manipuler le chauffage lorsqu'il est encore chaud.</p> <p>TOUJOURS placer le chauffage sur une surface stable et plane. TOUJOURS maintenir les enfants et les animaux à l'écart du chauffage</p>

IMPORTANTES CONSIGNES DE SECURITE

Hazard	Potential Consequence	Prevention
<p style="text-align: center;">RISQUE DE PROBLEME RESPIRATOIRE</p> 	<p>Des blessures graves, voire la mort peuvent survenir si une bonne ventilation n'est pas fournie selon les consignes de ce manuel.</p>	<p>Ce chauffage est un chauffage au kérosène à air pulsé et à feu direct. Il est principalement conçu pour fournir un chauffage temporaire pour les bâtiments en construction, sous transformations ou en réparations. Chauffage à feu direct signifie que tous les produits de combustion de l'appareil de chauffage entrent dans l'espace chauffé. Cet appareil a une efficacité de combustion de 98 %, mais produit une petite quantité d'oxyde de carbone. L'oxyde de carbone est toxique. Les humains peuvent tolérer de petites quantités d'oxyde de carbone et des précautions doivent être prises pour fournir une ventilation appropriée. Le fait de ne pas fournir une ventilation appropriée selon ce manuel peut aboutir à la mort.</p> <p>Intoxication à l'oxyde de carbone: Les premiers signes de l'intoxication à l'oxyde de carbone ressemblent aux symptômes de la grippe tels que des maux de tête, des étourdissements, et/ou la nausée. Il est possible que votre chauffage ne marche pas correctement si vous éprouvez ces symptômes.</p> <p>Risque de pollution de l'air intérieur. Utiliser le Chauffage à air pulsé seulement dans un endroit bien ventilé. Fournir une ouverture sur de l'air frais d'au moins 2800 cm² (3 pi²) pour chaque 100 000 BTU/h Fournir de l'air frais supplémentaire si plus d'un Chauffage à air pulsé est utilisé.</p> <p>Les personnes avec des problèmes de respiration doivent consulter un médecin avant d'utiliser ce chauffage.</p> <p>Intoxication à l'oxyde de carbone: Les premiers signes de l'intoxication à l'oxyde de carbone ressemblent aux symptômes de la grippe tels que des maux de tête, des étourdissements, et/ou la nausée. Il est possible que votre chauffage ne marche pas correctement si vous éprouvez ces symptômes.</p> <p>Obtenir de l'air frais immédiatement ! Faire entretenir le chauffage. Certaines personnes sont plus atteintes par l'oxyde de carbone que les autres. Ceci inclut les femmes enceintes, les personnes avec des problèmes de cœur ou de poumon, celles sous l'influence d'alcool ou en haute altitude.</p> <p>Ne jamais utiliser ce chauffage dans les espaces d'habitation ou dans les pièces où l'on dort.</p>

IMPORTANTES CONSIGNES DE SECURITE

-  **RISQUE D'INCENDIE, DE BRÛLURE, D'INHALATION ET D'EXPLOSION. GARDER LES COMBUSTIBLES SOLIDES, COMME LES MATÉRIAUX DE CONSTRUCTION, LE PAPIER OU LE CARTON, À UNE DISTANCE SÉCURITAIRE DU RADIATEUR, SELON LES RECOMMANDATIONS DE CE MANUEL. NE JAMAIS UTILISER LE CHAUFFAGE À AIR PULSÉ DANS DES ENDROITS QUI CONTIENNENT OU POURRAIENT CONTENIR DES MATIÈRES COMBUSTIBLES VOLATILES OU EN SUSPENSION DANS L'AIR, OU ENCORE DES PRODUITS COMME DE L'ESSENCE, DES SOLVANTS, DES DILUANTS À PEINTURE, DES PARTICULES DE POUSSIÈRE OU DES PRODUITS CHIMIQUES INCONNUS.**
-  **NE PAS UTILISER CE CHAUFFAGE À AIR PULSÉ AVANT D'AVOIR LU ET ENTIÈREMENT COMPRIS CES DIRECTIVES DE SÉCURITÉ ET D'UTILISATION. LE FAIT DE NÉGLIGER DE RESPECTER LES PRÉCAUTIONS ET LES INSTRUCTIONS FOURNIES AVEC CE CHAUFFAGE À AIR PULSÉ PEUT ENTRAÎNER LA MORT, DES BLESSURES GRAVES, DES PERTES OU DES DOMMAGES MATÉRIELS SUITE AUX RISQUES D'INCENDIE, D'EXPLOSION, DE BRÛLURES, D'ASPHYXIE OU D'EMPOISONNEMENT AU MONOXYDE DE CARBONE. SEULES DES PERSONNES APTES À LIRE ET À COMPRENDRE CES INSTRUCTIONS DOIVENT UTILISER OU ENTREtenir CE RADIATEUR.**
-  **RÉSIDENTS DU MASSACHUSETTS : LA LOI DE L'ÉTAT DU MASSACHUSETTS INTERDIT L'UTILISATION DE CE CHAUFFAGE À AIR PULSÉ DANS TOUT ÉDIFICE UTILISÉ EN TOUT OU EN PARTIE POUR L'HABITATION HUMAINE. L'UTILISATION DE CE DISPOSITIF DE CHAUFFAGE AU MASSACHUSETTS EXIGE UN PERMIS DU SERVICE DES INCENDIES (M.G.L.C. 148. SECTION 10A).**
-  **RÉSIDENTS DE LA VILLE DE NEW YORK : POUR UNE UTILISATION DANS DES SITES DE CONSTRUCTION SEULEMENT, EN CONFORMITÉ AVEC LES CODES DE NYC APPLICABLES. NO D'APPROBATION FDNY : 70T / 125T-KFA. NO D'APPROBATION FDNY : 5101 POUR PT-175T-KFA ET PT-215T-KFA.**
-  **LE CODE DES INCENDIES DE LA VILLE DE NEW YORK INTERDIT L'ENTREPOSAGE, LA MANIPULATION ET L'UTILISATION D'APPAREILS DE CHAUFFAGE AU KÉROSÈNE POUR LE CHAUFFAGE DES LOCAUX. TOUTE PERSONNE EN VIOLATION DE CETTE LOI PEUT ÊTRE PUNIE PAR UNE AMENDE JUSQU'À \$10,000 ET UNE PEINE DE PRISON QUI PEUT ATTEINDRE 6 MOIS.**

 **!GARDER CES INSTRUCTIONS!** 



**LES PAGES SUIVANTES CONTIENNENT LES
CONSIGNES D'UTILISATION ET D'ENTRETIEN.
NE TENTER PAS DE FAIRE FONCTIONNER CE
COMPRESSEUR D'AIR AVANT D'AVOIR LU ET
COMPRIS TOUTES LES PRECAUTIONS ET
CONSIGNES DE SECURITE CONTENUES DANS
CE MANUEL.**

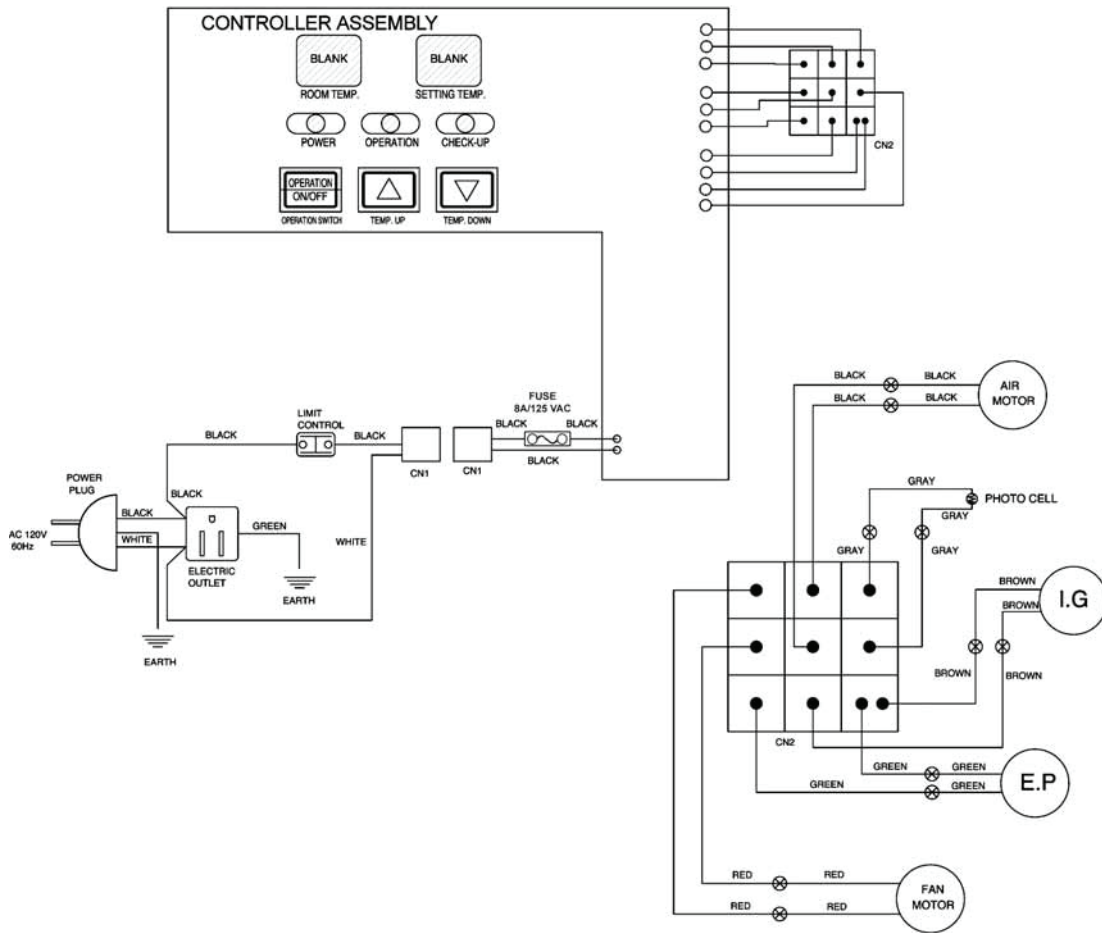
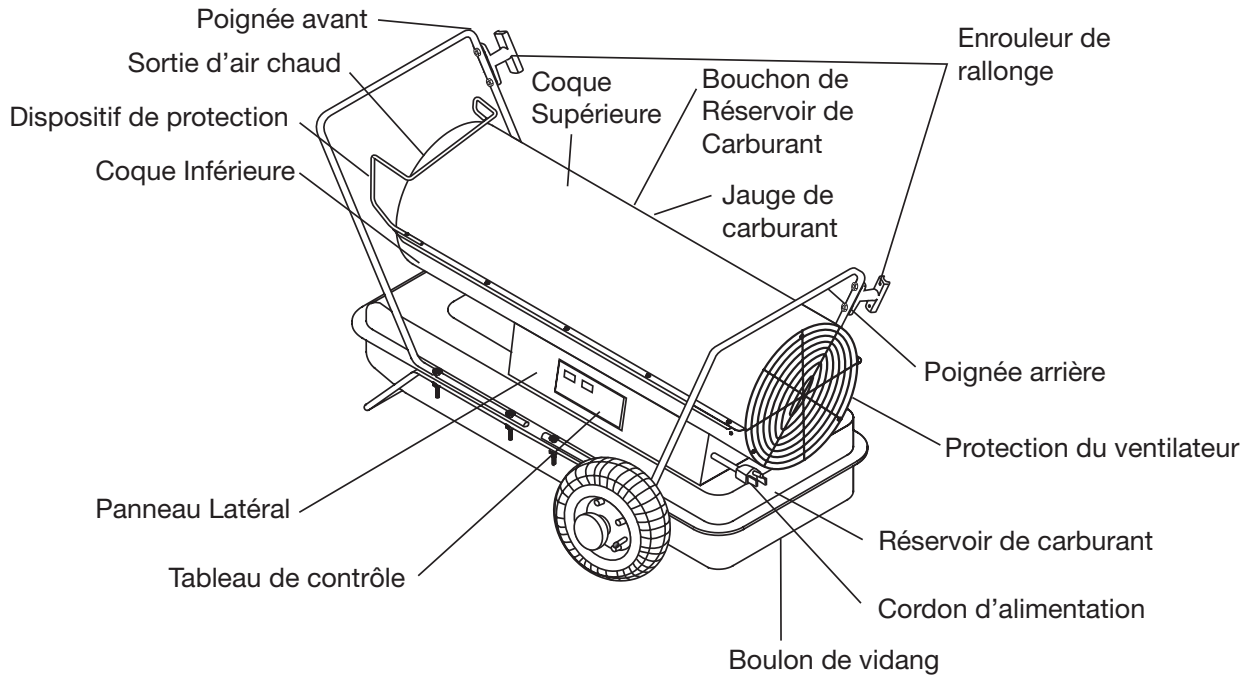
**L'UTILISATION INAPPROPRIEE DE CET
APPAREIL PEUT CAUSER DES BLESSURES
SERIEUSES!!**

**NE PAS ALTERER OU MODIFIER CET
EQUIPEMENT EN AUCUNE MANIERE!**

**AVERTISSEMENT: NE JAMAIS LAISSER L'APPAREIL DE CHAUFFAGE
SANS SURVEILLANCE LORSQU'IL FONCTIONNE OU LORSQU'IL EST
BRANCHÉ À UNE SOURCE D'ALIMENTATION EN CARBURANT OU
D'ÉLECTRICITÉ.**

CARACTÉRISTIQUES

Model MH-0400-0M10

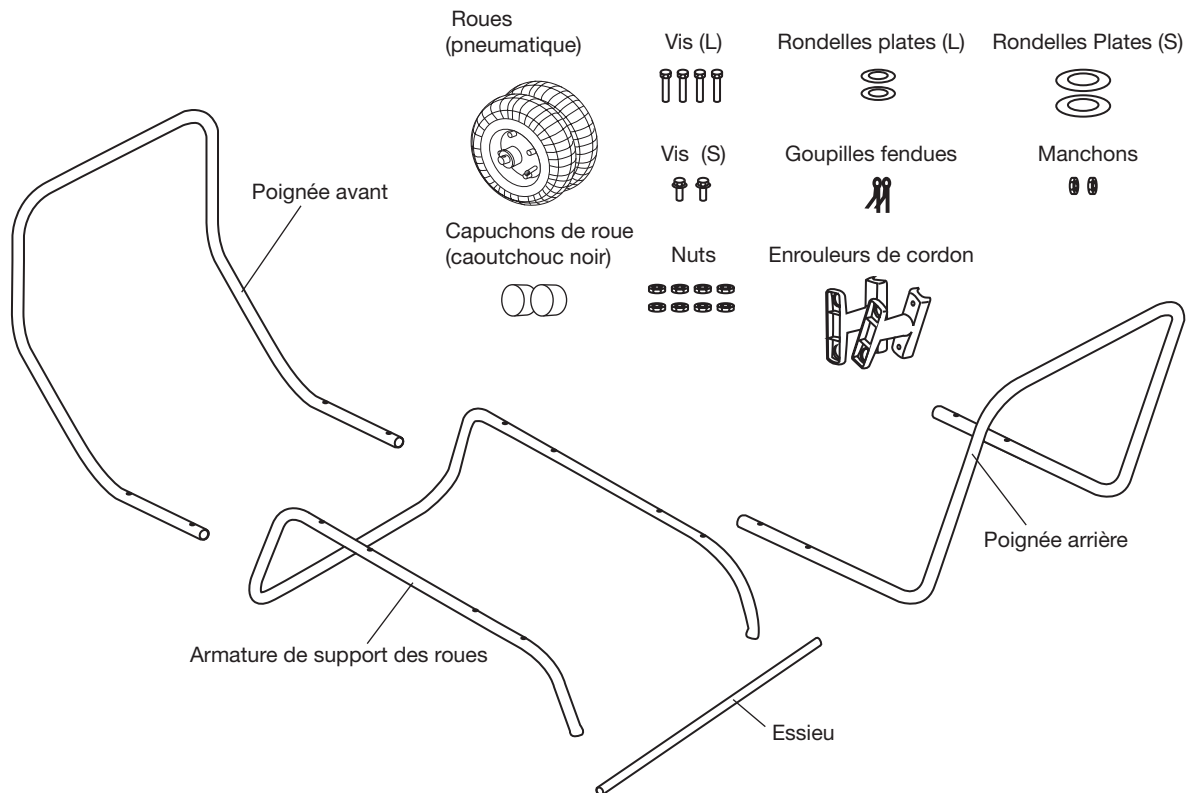


SPÉCIFICATIONS

Modèle	MH-0400-0M10
Puissance de sortie (BTU/heure)	400,000
Consommation de carburant Gal/Hr	3.0
Capacité du réservoir de carburant (gallons US)	24.0
Pression de la pompe	125
Volt/hertz	120V/ 60 Hz
Ampérage	3.0
Phase	Monophasé
Taille (Longueur x largeur x hauteur)	53" x 30" x 36"
Poids net (livres)	150

ASSEMBLAGE

ELÉMENTS D'ARMATURE



ASSEMBLAGE

Note : Outils nécessaires pour les modèles tournevis à pointe cruciforme moyen, clé à fourche ou clé à molette, pinces à bec effilé.

ASSEMBLAGE DE L'ARMATURE ET DES ROUES

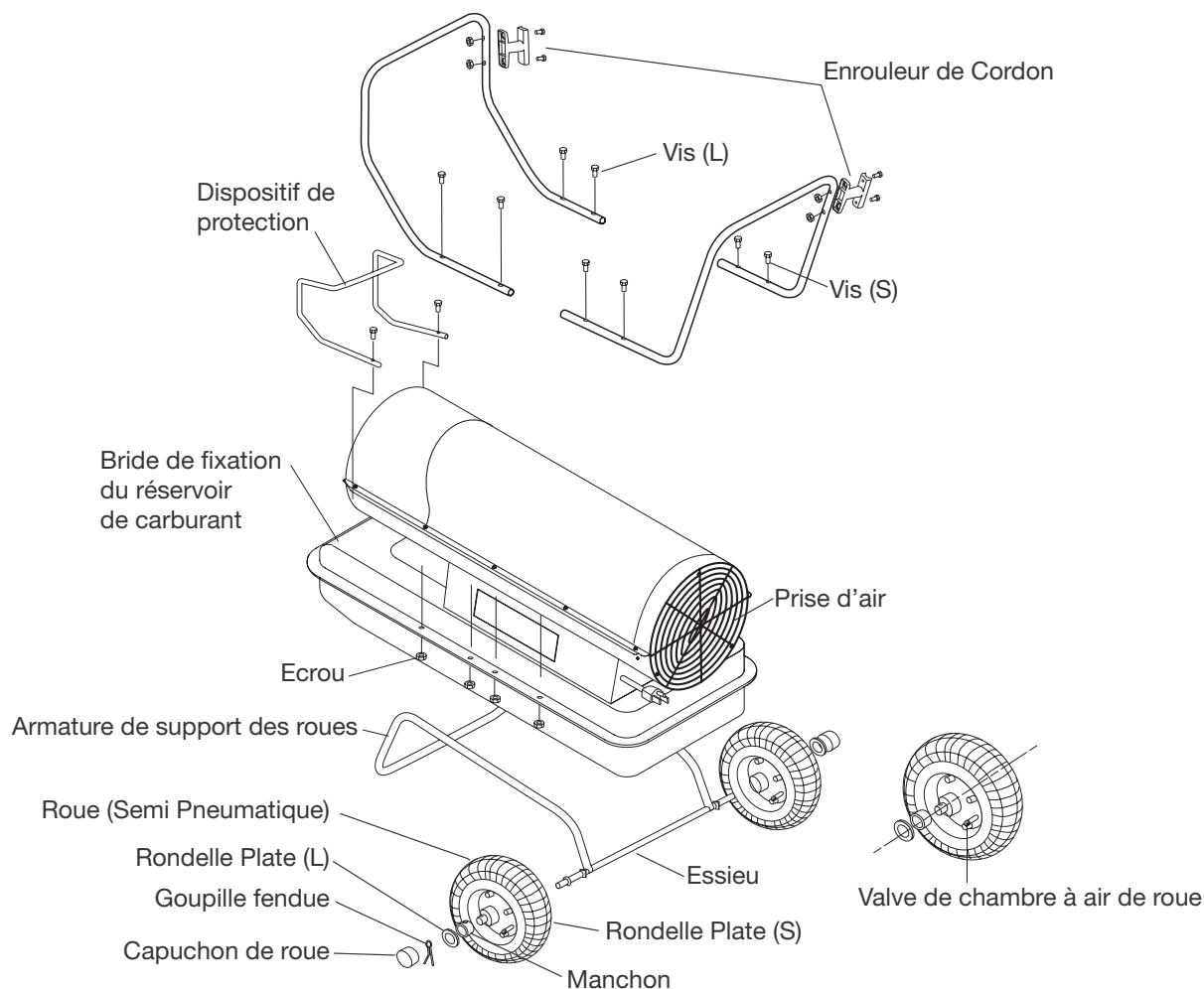
1. Faire glisser l'essieu dans l'armature de support des roues. Installer les manchons de roue, les rondelles plates (S) et la roue sur l'essieu.

Note : Lors de l'installation des roues, la valve de chambre à air doit être monté vers l'extérieur de l'appareil.

2. Placer les rondelles plates (L) et les goupilles fendues sur les extrémités de l'essieu et plier les goupilles fendues avec des pinces à bec long pour sécuriser.
3. Placer le capuchon de roue sur les rondelles plates (L) et placer le capuchon de roue dans le bout rondelles plates (L).
4. Placer le chauffage sur l'armature de support de roue en s'assurant que le bout prise d'air (à l'arrière) est au dessus des roues. Aligner les trous sur la bride de fixation du réservoir de carburant. Insérer les vis à travers les poignées (avant et arrière), la bride de fixation du réservoir de carburant, et l'armature de support des roues comme illustré ci-dessous en serrant chaque écrou à la main après l'avoir inséré.
5. Une fois tous les écrous insérés, les serrer solidement.

ATTENTION: NE PAS UTILISER LE CHAUFFAGE SANS QUE LE RESERVOIR SOIT COMPLÈTEMENT MONTÉ SUR L'ARMATURE DE SUPPORT.

AVERTISSEMENT: NE JAMAIS LAISSER L'APPAREIL DE CHAUFFAGE SANS SURVEILLANCE LORSQU'IL FONCTIONNE OU LORSQU'IL EST BRANCHÉ À UNE SOURCE D'ALIMENTATION EN CARBURANT OU D'ÉLECTRICITÉ.



FONCTIONNEMENT

KEROSENE (1-K)

Pour une performance optimale de ce chauffage, il est fortement suggéré que du kérosène 1-K soit utilisé. Le kérosène 1-K a été raffiné pour pratiquement éliminer les substances polluantes, comme le soufre qui peut causer une odeur d'œuf pourri pendant l'opération de l'appareil de chauffage. Cependant, du mazout #1 ou #2 (du carburant diesel), du carburant JP-8 ou du Jet A peuvent aussi être utilisés si du kérosène 1-K n'est pas disponible. Savoir que ces carburants ne brûlent pas aussi proprement que le kérosène 1-K et que des précautions doivent être prises pour fournir plus de ventilation d'air frais pour se débarrasser des substances polluantes supplémentaires qui peuvent être ajoutées à l'espace chauffé.

NOTE: Le kérosène ne doit être entreposé que dans un récipient bleu qui est nettement marqué « Kérosène ». Ne jamais entreposer le kérosène dans un récipient rouge. Le rouge est associé avec l'essence.

- Ne JAMAIS entreposer le kérosène dans un espace habité. Le kérosène doit être entreposé dans un endroit bien ventilé en dehors de l'espace d'habitation.
- N'utiliser JAMAIS de carburant tels que l'essence, le benzène, l'alcool, l'essence sans plomb, le carburant pour réchaud, les diluants de peintures, ou tout autre composants d'huile dans ce chauffage (Ce sont des carburants volatils qui peuvent être la cause d'un incendie ou d'une explosion).
- Ne JAMAIS entreposer le kérosène dans un endroit où il est exposé directement à la chaleur du soleil ou près d'une source de chaleur.
- Ne JAMAIS utiliser de kérosène qui a été entreposé d'une saison à l'autre. Le kérosène se dégrade au cours du temps. Du vieux kérosène ne brûlera pas correctement dans ce chauffage.
- Utiliser du kérosène 1-K dans ce chauffage. Le mazout #1, #2 (le carburant diesel), les carburants JP-8 ou Jet A sont des remplacements adéquats.

THÉORIE DE FONCTIONNEMENT

Système de carburant: Ce chauffage est équipé d'une pompe à air qui fonctionne à partir du moteur électrique. La pompe force l'air à travers la canalisation d'air raccordée au réservoir de carburant, tirant du carburant vers la gicleur dans la tête du brûleur. L'air passe aussi par la gicleur où il est mélangé avec le carburant et est vaporisé en une brume fine dans la chambre de combustion. *s sprayed into the combustion chamber in a fine mist.*

Allumage Rapide: Un transformateur envoie de la haute tension à une bougie à 2 fourches. L'étincelle enflamme le mélange carburant/air alors qu'il est vaporisé dans la chambre de combustion.

Système d'air: Un ventilateur est allumé par le moteur surpuissant ce qui force l'air à l'intérieur et autour de la chambre de combustion où il est surchauffé et ressort ensuite à l'avant de la chambre de combustion.

Contrôle Limiteur de Température: Ce chauffage est équipé d'un limiteur de température conçu pour mettre le moteur à l'arrêt si la température interne monte à un niveau dangereux. Si ce dispositif s'active et éteint votre chauffage, il sera peut être nécessaire de le faire entretenir. Le chauffage peut être remis en marche une fois que la température retombe sous le niveau prééglé.

 **ATTENTION: NE JAMAIS REMPLIR LE RÉSERVOIR DE CARBURANT À L'INTÉRIEUR. TOUJOURS REMPLIR LE RÉSERVOIR À L'EXTÉRIEUR. S'ASSURER QUE LE CHAUFFAGE EST SUR UNE SURFACE PLANE LORS DE L'APPROVISIONNEMENT ET NE JAMAIS TROP REMPLIR LE RÉSERVOIR DE CARBURANT.**

 **AVERTISSEMENT: NE JAMAIS RÉAPPROVISIONNER EN CARBURANT LORSQUE LE CHAUFFAGE FONCTIONNE OU EST TOUJOURS CHAUD.**

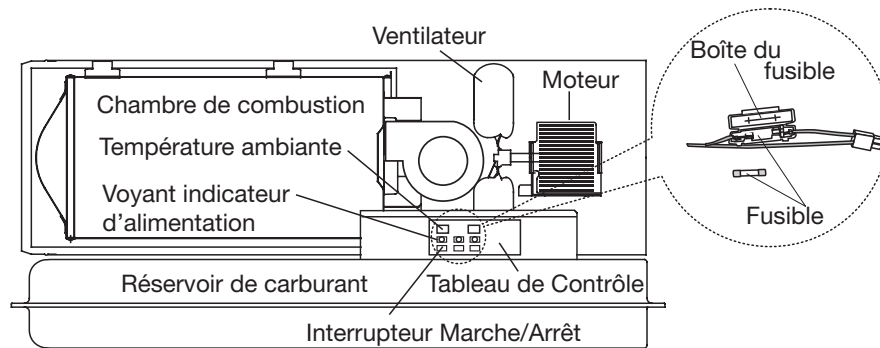
IMPORTANT: C'est toujours une bonne idée de démarrer le chauffage pour la première fois à l'extérieur. Ceci permet de brûler les huiles utilisées dans le procédé de fabrication dans un environnement sans danger. Ce fonctionnement initial doit durer au moins 10 minutes.

DÉGAGEMENTS

Les dégagements minimum à la sortie est de 8 pieds. Minimum de dessus, d'arrière et de côtés de 4 pi.

 **AVERTISSEMENT: NE JAMAIS LAISSER L'APPAREIL DE CHAUFFAGE SANS SURVEILLANCE LORSQU'IL FONCTIONNE OU LORSQU'IL EST BRANCHÉ À UNE SOURCE D'ALIMENTATION EN CARBURANT OU D'ÉLECTRICITÉ.**

FONCTIONNEMENT



VENTILATION

AVERTISSEMENT: RISQUE DE POLLUTION D'AIR INTERIEUR. N'UTILISER LE CHAUFFAGE QUE DANS DES ENDROITS BIEN VENTILES.

Risque de pollution de l'air intérieur. Utiliser le Chauffage à air pulsé seulement dans un endroit bien ventilé. Fournir une ouverture sur de l'air frais d'au moins 2800 cm² (3 pi²) pour chaque 100 000 BTU/h) Fournir de l'air frais supplémentaire si plus d'un Chauffage à air pulsé est utilisé.

AVERTISSEMENT: NE JAMAIS LAISSER L'APPAREIL DE CHAUFFAGE SANS SURVEILLANCE LORSQU'IL FONCTIONNE OU LORSQU'IL EST BRANCHÉ À UNE SOURCE D'ALIMENTATION EN CARBURANT OU D'ÉLECTRICITÉ.

POUR DÉMARRER LE CHAUFFAGE :

1. Remplir le réservoir avec du kérosène jusqu'à ce que la jauge de carburant indique le "F".
2. S'assurer que le bouchon du réservoir de carburant est bien fermé.
3. Brancher le cordon d'alimentation dans une rallonge électrique tri filaire avec mise à la terre et brancher la rallonge dans une prise de courant à trois branches de 120 volts avec mise à la terre.

La rallonge électrique doit mesurer au moins 1,80 m (6 pieds),

- De 6 à 10 pieds de long (1,8 à 3 m), utiliser un conducteur de 14 AWG.
- De 101 à 200 pieds de long (30,8 à 61 m), utiliser un conducteur de 12 AWG.
- De 201 à 300 pieds de long (61,25 à 91,44 m), utiliser un conducteur de 10 AWG.
- De 301 à 400 pieds de long (91,7 à 121,9 m), utiliser un conducteur de 8 AWG.
- De 401 à 500 pieds de long (122,2 à 152,4 m), utiliser un conducteur de 6 AWG.

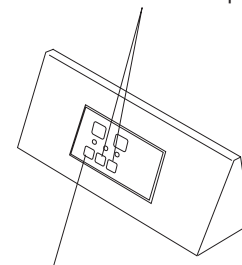
4. Pousser sur "BOUTON DE FONCTIONNEMENT". Le voyant indicateur d'alimentation et l'affichage de température ambiante s'allument et l'appareil de chauffage démarre. Pousser les touches flèches haut et bas sur le tableau de contrôle pour régler le thermostat à la température désirée.

Si le chauffage ne s'allume pas, le thermostat est peut être réglé à une température trop basse. Pousser la "touche fléchée de montée de température" jusqu'à une position plus élevée pour démarrer le chauffage. Si le chauffage ne démarre toujours pas, voir le Guide de Dépannage.

Note: Les composants électriques principaux de ce chauffage sont protégés par un disjoncteur (à fusible) qui est installé sur l'interrupteur de marche/arrêt. Si le chauffage ne démarre pas, vérifier d'abord ce fusible et le remplacer si nécessaire. Vérifier également la source d'alimentation afin de s'assurer qu'une bonne tension et fréquence est fournie au chauffage.

Note: Des additifs pour carburant diesel sont nécessaires afin d'éviter qu'il se gélifie lorsqu'il est utilisé sous des températures ambiantes froides (en dessous de 35° F ou 1.6° C). Respecter les instructions de mélange données par le fournisseur d'additifs diesel pour les bonnes proportions d'additif/carburant.

Boutons de contrôle de température



Interrupteur Marche/Arrêt

FONCTIONNEMENT

POUR METTRE L'APPAREIL À L'ARRÊT

⚠ AVERTISSEMENT: NE JAMAIS DEBRANCHER LE CHAUFFAGE EN MARCHÉ.

Le chauffage doit passer par un cycle de refroidissement. Le cycle de refroidissement refroidit la chambre de combustion. Le chauffage peut être endommagé si la chambre de combustion n'est pas refroidie. Le cycle de refroidissement doit être terminé avant de redémarrer le chauffage.

1. Pousser "BOUTON DE FONCTIONNEMENT". Ceci éteint la flamme du chauffage. Le moteur continue de marcher pendant le cycle de refroidissement. Ceci permet au ventilateur de refroidir la chambre de combustion. Le moteur s'arrête lorsque le cycle de refroidissement est terminé (environ 2 minutes). Ne pas débrancher le chauffage avant que le cycle de refroidissement soit terminé.
2. Débrancher le chauffage de la source d'alimentation.
3. Pour un arrêt temporaire du chauffage, régler le thermostat sur une température plus basse que la température ambiante. Le chauffage se remet en route si la température ambiante autour du chauffage est plus basse que le réglage du thermostat.

POUR REDÉMARRER LE CHAUFFAGE

⚠ ATTENTION: NE PAS REDEMARRER LE CHAUFFAGE AVANT QUE LE CYCLE DE REFROIDISSEMENT SOIT TERMINE.

Le cycle de refroidissement refroidit la chambre de combustion.

1. Attendre que le cycle de refroidissement soit terminé avant d'arrêter le chauffage.
2. Répéter les étapes de la partie POUR DÉMARRER LE CHAUFFAGE.

ENTREPOSAGE À LONG TERME

1. Afin de vidanger l'appareil, dévisser le boulon de vidange situé en dessous et à l'arrière du réservoir de carburant puis vidanger.
2. En utilisant une petite quantité de kérosène, rincer et faire tourner le kérosène à l'intérieur du réservoir de carburant. Ne JAMAIS mélanger d'eau au kérosène car l'intérieur du réservoir risque de rouiller. Le vidanger complètement en s'assurant qu'il est complètement vidé.

IMPORTANT : Ne jamais entreposer le kérosène restant pendant l'été. L'utilisation de vieux carburant peut endommager votre chauffage.

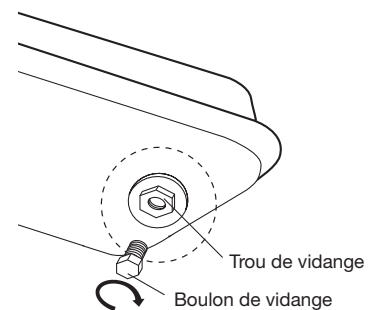
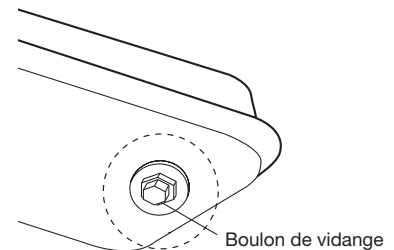
3. Réinstaller le boulon de vidange comme suit:
 - Insérer complètement la tête du joint d'étanchéité dans le trou de vidange de telle sorte que son collet soit bien appliqué sur le dessous du réservoir.
 - Insérer complètement le boulon d'étanchéité dans l'orifice du joint de telle sorte que le collet du boulon soit bien appliqué sur la tête du joint

IMPORTANT: Bien enfoncez complètement le boulon dans le trou du réservoir pour garantir une bonne étanchéité.

- S'assurer que l'endroit d'entreposage n'a pas de poussières et de vapeurs corrosives.
- Ranger le chauffage dans son emballage d'origine et conserver le manuel de l'opérateur dans un endroit facilement accessible.

NOTE: L'utilisation de carburant diesel peut être la cause d'un excès de production de suie.

⚠ AVERTISSEMENT: NE JAMAIS LAISSER L'APPAREIL DE CHAUFFAGE SANS SURVEILLANCE LORSQU'IL FONCTIONNE OU LORSQU'IL EST BRANCHÉ À UNE SOURCE D'ALIMENTATION EN CARBURANT OU D'ÉLECTRICITÉ.



ENTRETIEN

⚠ AVERTISSEMENT: NE JAMAIS ENTREtenir LE CHAUFFAGE LORSQU'IL EST BRANCHE OU LORSQU'IL EST CHAUD

N'utiliser que des pièces de rechange d'origine. L'utilisation de pièces autres que d'origine peut être la cause de conditions de fonctionnement dangereuses et annulera votre garantie.

RÉSERVOIR DE CARBURANT:

- Effectuer une vidange toutes les 200 heures d'opération ou au besoin.

PALES DE VENTILATEUR:

Nettoyer toutes les saisons ou si nécessaire.

- Retirer la coque supérieure (Voir filtre d'admission d'air).
- Utiliser une clé Allen pour desserrer la vis de pression qui maintient les pales du ventilateur à l'arbre du moteur.
- Faire glisser la pale du ventilateur pour l'enlever de l'arbre du moteur.
- Nettoyer la pale du ventilateur en utilisant un chiffon doux légèrement mouillé avec du kérosène ou du solvant.
- Sécher la pale du ventilateur à fond.
- Attacher la pale du ventilateur à l'arbre du moteur.
- Placer le moyeu du ventilateur de façon à ce qu'il soit aligné avec le bout de l'arbre du moteur.
- Placer la vis de pression sur le côté plat de l'arbre.
- Serrer la vis fermement (40-50 pouces par livres/4.5-5.6 N-m). Réinstaller la coque supérieure.

GICLEURS

Retirer les saletés du gicleur si nécessaire.

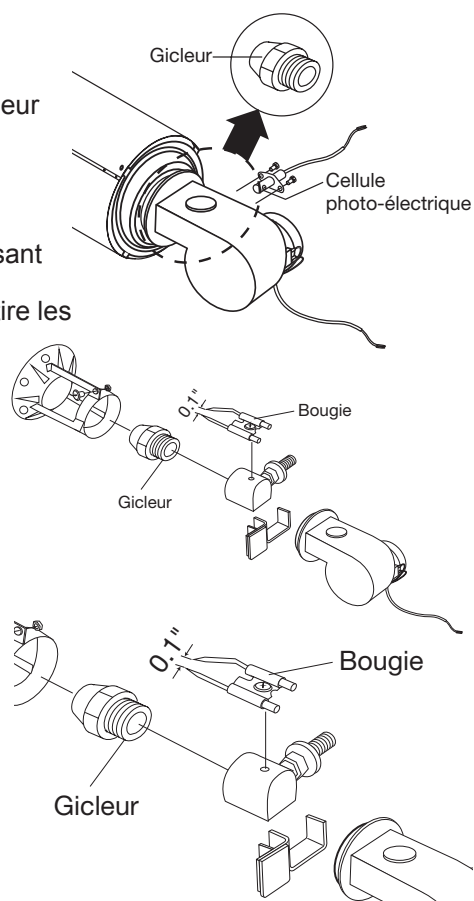
- Retirer la coque supérieure.
- Retirer la canalisation de carburant B de l'assemblage du brûleur en utilisant une clé.
- Retirer la tête du brûleur de l'assemblage du brûleur.
- Retirer le fil de sortie de la bougie.
- Retirer la bougie de la tête de brûleur.
- Retirer le gicleur avec précaution de la tête de brûleur en utilisant une clé à douille.
- Faire souffler de l'air comprimé par l'avant du gicleur (Ceci retire les saletés).
- Inspecter le gicleur afin de s'assurer qu'il n'est pas endommagé. Le remplacer s'il est endommagé ou bouché.
- S'assurer que le bouchon est bien en place sur la tête de brûleur.
- Réinstaller le gicleur dans la tête de brûleur et bien serrer (175-200 pouces-livres).
- Réinstaller la bougie dans la tête de brûleur.
- Attacher la tête de brûleur à la chambre de combustion.
- Attacher le fil de la bougie à la bougie.
- Attacher la canalisation de carburant à la tête de brûleur et serrer fermement.
- Remettre la coque supérieure.
- Raccorder le fil de l'allumeur à la bougie.
- Attacher les canalisations de carburant et d'air à la tête du brûleur.
- Réinstaller les pales du ventilateur et la coque supérieure.

Note: Le fait d'utiliser l'appareil de chauffage sans l'entretien requis peut entraîner une mauvaise combustion et la production de suie.

⚠ AVERTISSEMENT: NE JAMAIS LAISSER L'APPAREIL DE CHAUFFAGE SANS SURVEILLANCE LORSQU'IL FONCTIONNE OU LORSQU'IL EST BRANCHE À UNE SOURCE D'ALIMENTATION EN CARBURANT OU D'ÉLECTRICITÉ.

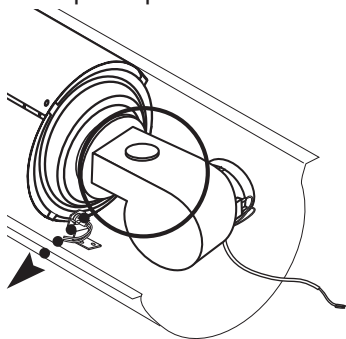
BOUGIE

Nettoyer et régler l'écartement toutes les 600 heures d'opération ou remplacer au besoin.



ENTRETIEN

- Retirer la coque supérieure.
- Retirer le fil de la bougie.
- Retirer la bougie de la tête de brûleur en utilisant un tournevis à pointe cruciforme moyenne.
- Nettoyer et régler l'écartement des électrodes de la bougie à 3.5 mm (+/- 0.5mm).
- Replacer la bougie dans la tête de brûleur.
- Raccorder le fil de la bougie à la bougie.
- Réinstaller la coque supérieure.



CELLULE PHOTO-ÉLECTRIQUE:

NETTOYER LA CELLULE PHOTO-ÉLECTRIQUE ANNUELLEMENT OU SI NÉCESSAIRE.

- Retirer la coque supérieure.
- Retirer le ventilateur (Voir les pales du ventilateur).
- Retirer la cellule photo-électrique de son support de fixation.
- Nettoyer la lentille de la cellule photo-électrique avec une tige de coton.

POUR REMPLACER: Retirer le panneau latéral près de l'interrupteur Marche/Arrêt.

- Débrancher les fils de l'interrupteur Marche/Arrêt et retirer la cellule photo-électrique.
- Débrancher les fils de la carte de circuit imprimé et retirer le panneau latéral.
- Installer la nouvelle cellule photo-électrique et raccorder les fils à la carte de circuit imprimé.
- Raccorder les fils de l'interrupteur et remettre le panneau latéral.
- Remettre le ventilateur et la coque supérieure.

FILTRE A CARBURANT

Nettoyer deux fois par saison de chauffage ou si nécessaire.

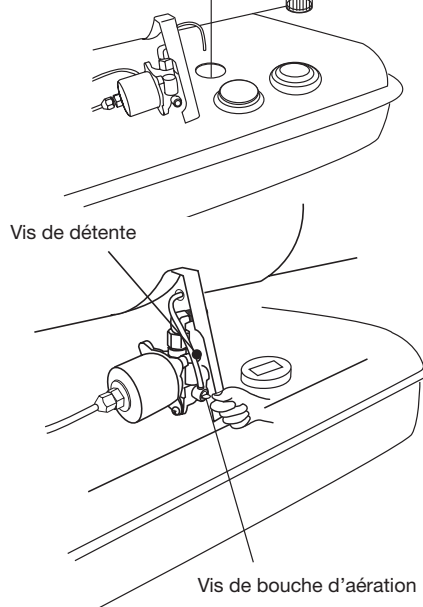
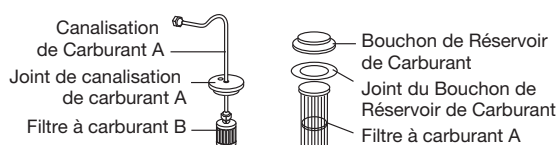
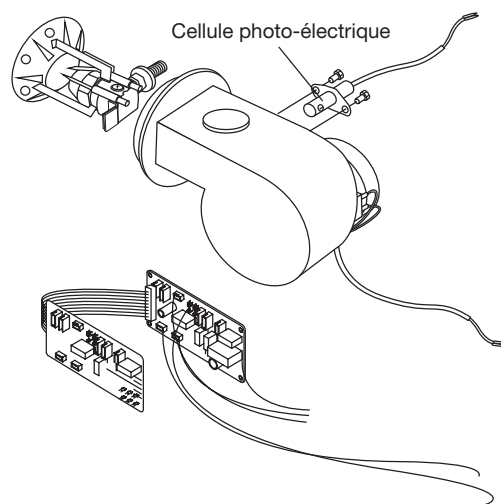
FILTRE A CARBURANT A SUR LE BOUCHON DE RESERVOIR DE CARBURANT

- Retirer le bouchon de réservoir de carburant.
- Sortir le filtre à carburant avec du kérosène propre.
- Laver le filtre à carburant avec du kérosène propre.
- Remettre le filtre à carburant sur le réservoir de carburant.
- Remettre le bouchon de réservoir de carburant sur le réservoir.

⚠ AVERTISSEMENT: NE JAMAIS LAISSER L'APPAREIL DE CHAUFFAGE SANS SURVEILLANCE LORSQU'IL FONCTIONNE OU LORSQU'IL EST BRANCHÉ À UNE SOURCE D'ALIMENTATION EN CARBURANT OU D'ÉLECTRICITÉ.

FILTRE A CARBURANT B SUR LA CANALISATION DE CARBURANT.

- Retirer la canalisation de carburant A de la pompe de carburant en utilisant une clé.



ENTRETIEN

- Retirer la canalisation de carburant du réservoir en sortant le joint du filtre à air.
- Retirer l'assemblage du filtre à carburant de la canalisation de carburant.
- Laver le filtre à carburant dans du kérosène propre.
- Remonter le filtre à carburant dans l'ordre inverse.

REGLAGE DE LA PRESSION DE POMPE

1. Remove right side panel. (If not using an accessory fuel pressure gauge, please skip to #4).
2. Retirer la vis de la bouche d'aération.
3. Insérer l'accessoire manomètre à carburant dans l'orifice de la vis de bouche d'aération.
4. Régler la pression de pompe en tournant la vis de détente.
5. Tourner la vis de détente de pression dans le sens des aiguilles d'une montre pour augmenter la pression.
6. Tourner la vis de détente de pression dans le sens inverse des aiguilles d'une montre pour diminuer la pression.
7. Régler la pression de la pompe à 125 PSI (+/- 6PSI).

Il n'est pas nécessaire de régler la pression de pompe si les marques rouges sur le corps de la pompe et la vis de détente de pression sont alignées l'une avec l'autre.

NOTE: N'utiliser que des pièces de rechange d'origine. L'utilisation de pièces autres que d'origine annulera votre garantie et peut être la cause de conditions de fonctionnement dangereuses.

8. Arrêter le chauffage (Voir FONCTIONNEMENT dans ce manuel).
9. Retirer l'accessoire manomètre s'il a été utilisé.
10. Ranger le manomètre en l'enfonçant à sa place dans le couvercle du filtre.

Note: Tourner la VIS DE BOUCHE D'AERATION dans le sens contraire des aiguilles d'une montre pour relâcher de l'air si le chauffage ne se met pas en marche lorsqu'il est allumé, puis tourner LE BOUTON DE FONCTIONNEMENT à sa position de marche.

NOTE: Un manomètre à carburant est disponible comme accessoire pour mesurer précisément la pression.

INSTRUCTIONS DE PURGE D'AIR

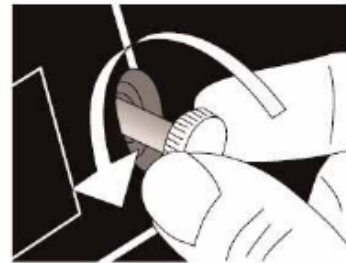
Si votre chauffage ne s'allume pas, il est possible qu'il reste de l'air dans la pompe à carburant. L'air dans la pompe à carburant peut être la cause d'un échec de démarrage qui est souvent accompagné d'un bruit fort de "grincement" ou de vibration provenant de la pompe. Ce chauffage est conçu pour que l'air s'évacue facilement de la pompe à carburant en suivant simplement les consignes de Purge d'Air ci-dessous:

1. Remplir le réservoir à carburant avec du kérosène ou du mazout No. 1. Tourner la vis de bouche d'aération de trois tours complets dans le sens contraire des aiguilles d'une montre à partir de la position fermée usine/à fond dans le sens des aiguilles d'une montre. (Ceci permet à l'air de s'échapper pendant le fonctionnement).
2. Démarrer le processus d'allumage en suivant les étapes d'allumage décrites.
3. Laisser le chauffage s'allumer pendant 3-5 secondes, pendant lesquelles vous pourrez entendre un bruit fort de "grincement" ou de vibration.
4. Si votre chauffage ne s'allume pas, recommencer le processus d'allumage. Tourner la vis de bouche d'aération dans le sens des aiguilles d'une montre en la serrant bien à la main une fois que le chauffage s'est mis en marche.

La pompe à carburant sera entièrement purgée d'air.

5. Votre chauffage est maintenant prêt à fonctionner.
6. Réapprovisionner votre chauffage en carburant avant qu'il soit vide afin d'éviter que les canalisations et la pompe à carburant ne se remplissent d'air. Dans tel cas, il sera nécessaire de recommencer les étapes de purge d'air.

Note: Le fait d'utiliser l'appareil de chauffage sans l'entretien requis peut entraîner une mauvaise combustion et la production de suie.



⚠ AVERTISSEMENT: NE JAMAIS LAISSER L'APPAREIL DE CHAUFFAGE SANS SURVEILLANCE LORSQU'IL FONCTIONNE OU LORSQU'IL EST BRANCHÉ À UNE SOURCE D'ALIMENTATION EN CARBURANT OU D'ÉLECTRICITÉ.

DÉPANNAGE

SYMPTÔME

Le chauffage s'allume mais le circuit de contrôle principal PCB met le moteur à l'arrêt après une courte période de temps. Le voyant tremblote et l'affichage par diodes électroluminescentes affiche "E1".

Le chauffage ne fonctionne pas ou le moteur ne marche que pendant une courte période de temps. Le voyant tremblote et l'affichage par diodes électroluminescentes affiche "E1".

Le ventilateur ne fonctionne pas lorsque le chauffage est branché et lorsque l'interrupteur de marche/arrêt est en position de marche (ON). Le voyant tremblote et l'affichage par diodes électroluminescentes affiche "E1" et "E2".

Le voyant tremblote et l'affichage par diodes électroluminescentes affiche "E3"

Le voyant tremblote et l'affichage par diodes électroluminescentes affiche "E4"

Le voyant tremblote et l'affichage par diodes électroluminescentes affiche "E5"

Mauvaise combustion

Le chauffage ne s'allume pas.

CAUSE PROBABLE

1. Pression de pompe incorrecte
2. Filtre à carburant sale
3. Gicleur sale
4. La lentille de cellule photoélectrique est sale
5. La cellule photoélectrique n'est pas installée correctement.
6. La cellule photoélectrique est défectueuse.
7. Mauvais raccord électrique entre le circuit de contrôle principal PCB et la cellule photoélectrique.

1. Pas de kérosène dans le réservoir de carburant
2. Pression de pompe incorrecte
3. Bougie corrodée ou écartement de bougie incorrect
4. Filtre à carburant sale
5. Gicleur sale
6. Humidité dans le carburant/réservoir de carburant
7. Raccord électrique incorrect entre le transformateur et le tableau de circuit
8. Fil de l'allumeur n'est pas raccordé à la bougie
9. Allumeur défectueux
10. Air dans le conduit de carburant.
11. Température ambiante en dessous de 35° F (1.6° C)

1. Le thermostat est réglé à une position trop basse
2. Connexion électrique rompue entre le moteur et le circuit de contrôle principal PCB

1. L'interrupteur du thermostat est défectueux
2. Court Circuit

1. Détecteur débranché

1. Le détecteur de limite de température a surchauffé

1. Les flammes s'étendent au-delà du chauffage rendement de chaleur bas

1. Pas de courant électrique

REMÈDE

1. Régler la pression de pompe
2. Nettoyer/remplacer le filtre à carburant
3. Nettoyer/remplacer le gicleur
4. Nettoyer/remplacer la cellule photoélectrique
5. Régler la position de la cellule photoélectrique
6. Remplacer la cellule photoélectrique
7. Vérifier les connexions du circuit Voir le schéma des connexions

1. Remplir le réservoir avec du kérosène frais
2. Régler la pression de pompe
3. Nettoyer/remplacer la bougie
4. Nettoyer/remplacer le filtre à carburant
5. Nettoyer/remplacer le gicleur
6. Rincer le réservoir de carburant avec du kérosène frais et propre
7. Inspecter tous les raccords électriques. Voir le schéma des connexions.
8. Rattacher le fil de l'allumeur à la bougie.
9. Remplacer l'allumeur
10. Purger l'air de la canalisation
11. Ajouter des additifs de carburant pour éviter que le carburant se gélifie.

1. Le thermostat est réglé à une position trop basse
2. Connexion électrique rompue entre le moteur et le circuit de contrôle principal PCB

1. Remplacer le bouton du thermostat.
2. Voir le schéma des connexions.

1. Vérifier le thermostat régulateur de température
2. Vérifier le raccordement du détecteur.

1. Attendre le refroidissement de l'appareil.

1. Aligner la marque rouge entre la vis de bouche d'aération et le corps de la pompe.

1. Vérifier/remplacer le fusible



GARANTIE LIMITÉE

Mi-T-M garantit à l'acheteur au détail d'origine seulement que ce Chauffage à air pulsé sera exempt de défauts de matière et de fabrication pendant une période d'un an à partir de la date de l'achat initial. Ce produit doit être installé, entretenu et utilisé correctement, en conformité avec les instructions fournies.

Mi-T-M exige une preuve raisonnable de la date d'achat chez un détaillant ou un distributeur autorisé. Il vous faut donc conserver votre preuve d'achat, facture ou chèque annulé pour l'achat d'origine. Cette garantie limitée couvre uniquement la réparation ou le remplacement des pièces jugées défectueuses dans des conditions d'utilisation et d'entretien normales pendant la période de garantie et Mi-T-M se réserve le droit de déterminer ceci à sa seule discrétion. Cette garantie ne couvre pas les pièces d'usure: filtres, ailettes, gicleurs et rotors.

Cette garantie limitée ne couvre pas toute défaillance ou difficulté d'utilisation résultant d'un usage normal, d'une usure normale, d'un accident, d'un abus, d'une mauvaise utilisation, d'une altération, d'un mauvais usage, d'une installation inadéquate ou encore d'une réparation ou d'un entretien inadéquats par vous ou par une quelconque tierce partie. Le fait de négliger d'effectuer l'entretien normal et de routine de ce radiateur, les dommages causés lors de l'expédition de l'expédition ou reliés à des insectes, des oiseaux ou des animaux ou encore à tout autre dommage résultant des conditions météorologiques ne sont pas couverts par cette garantie. En outre, cette garantie limitée ne couvre par les dommages au fini, comme les égratignures, les encoches, la décoloration, la rouille ou d'autres dommages résultant des conditions météorologiques, et survenus après l'achat.

Tous les frais de transport pour le retour de produits ou de pièces endommagés doivent être défrayés par l'acheteur. Sur réception de l'article endommagé, Mi-T-M examinera l'article en question et déterminera s'il est défectueux. Mi-T-M réparera ou remplacera et retournera l'article frais de port payés. Si Mi-T-M détermine que l'article est dans un état d'utilisation normale, ou n'est pas défectueux, il sera retourné fret payable à l'arrivée. Cette garantie limitée remplace toute autre garantie explicite. Mi-T-M renonce à toute garantie de produits achetés de vendeurs autres que des détaillants ou distributeurs autorisés.

APRÈS UNE PÉRIODE D'UN (1) AN CETTE GARANTIE EXPRESSE EXPIRE, Mi-T-M RENONCE À TOUTE GARANTIE IMPLICITE INCLUANT, MAIS SANS S'Y LIMITER, TOUTE GARANTIE IMPLICITE DE QUALITÉ MARCHANDE OU D'ADAPTATION À UN USAGE PARTICULIER. EN OUTRE, Mi-T-M N'EST AUCUNEMENT RESPONSABLE ENVERS L'ACHETEUR OU ENVERS TOUTE TIERCE PARTIE POUR UN QUELCONQUE DOMMAGE INDIRECT, PUNITIF, CONNEXE OU FORTUIT. Mi-T-M n'assume aucune responsabilité pour un quelconque défaut causé par une tierce partie. Cette garantie limitée donne à l'acheteur des droits légaux spécifiques; un acheteur pourrait jouir d'autres droits selon de la juridiction où il réside. Certaines juridictions ne permettent pas l'exclusion ou la limitation des dommages spéciaux, indirects ou fortuits ou des limitations sur la durée d'une garantie; les limitations ci-dessus pourraient donc ne pas s'appliquer à votre cas.

Mi-T-M n'autorise aucune personne ou aucune entreprise à assumer pour elle une quelconque obligation ou responsabilité autre reliée à la vente, l'installation, l'utilisation, l'enlèvement, le retour ou le remplacement de ces équipements et aucune telle représentation ne lie en quelque manière Mi-T-M

Toujours s'assurer de spécifier le numéro de modèle et le numéro de série lors de toute demande à Mi-T-M

Pour service ou considération de garantie, contactez
Mi-T-M® Corporation, 8650 Enterprise Drive, Peosta, IA 52068
563-556-7484 / 800-553-9053 / Fax 563-556-1235
du lundi au vendredi, de 8h00 à 17h00, CST (heure centrale)

TABLE OF CONTENTS

INTRODUCCION	40
ADVERTENCIAS IMPORTANTES DE SEGURIDAD	41
IDENTIFICACIÓN DEL PRODUCTO.....	46
ESPECIFICACIONES.....	47
MONTAJE	47
OPERACION	49
MANTENIMIENTO	52
LOCALIZACION DE FALLAS	55
GARANTIA LIMITADA	56

WARNING

ADVERTENCIA: Este producto tiene plomo, una sustancia química conocida al Estado de California a causar cáncer y defectos de nacimiento u otro daño reproductivo.

Lávese las manos despues de usar este producto.

ADVERTENCIA

Este producto contiene química conocido por el estado de California a causar cancer, defectos de nacimiento, y otros peligros reproductor.

INTRODUCCION

¡Felicitaciones por la compra de su nueva compresor de aire eléctrico! Puede estar seguro que su compresor de aire eléctrico fue construida con el nivel más. Cada componente ha sido probado rigurosamente por técnicos para asegurar la calidad, la resistencia y el rendimiento de esta unidad.

Este manual del operador fue compilado para su beneficio. Leyendo y siguiendo los pasos simples de seguridad, instalación, operación, mantenimiento y localización de fallas descritos en este manual ayudará a prolongar aun más la operación libre de fallas que usted puede esperar de su compresor de aire eléctrico. El contenido de este manual está basado en la información actualizada disponible al momento de la publicación. Mi-T-M® se reserva el derecho de efectuar cambios en precio, color, materiales, equipo, especificaciones o modelos en cualquier momento sin previo aviso.

¡IMPORTANTE!

Estos párrafos están rodeados por una “CASILLA DE ALERTA DE SEGURIDAD”. Esta casilla se usa par designar y enfatizar las Advertencias de Seguridad que deben seguirse al operar esta lavadora a presión. Acompañando a las Advertencias de Seguridad están las “palabras de alerta” que designan el grado o nivel de seriedad de riesgo. Las “palabras de alerta” usadas en este manual son las siguientes:

PELIGRO: Indica una situación inminente riesgosa la cual, si no se evita, RESULTARA en la muerte o en lesiones graves.

ADVERTENCIA: Indica una situación potencialmente riesgosa la cual, si no se evita, PODRIA resultar en la muerte o en lesiones graves.

PRECAUCION: Indica una situación potencialmente riesgosa la cual, si no se evita PUEDE resultar en lesiones menores o moderadas.



El símbolo indicado a la izquierda de este párrafo es el “Símbolo de Alerta de Seguridad”. Este símbolo se usa para alertarlo acerca de artículos o procedimientos que podrían ser peligrosos para usted u otras personas usando este equipo.

PROVEA SIEMPRE UNA COPIA DE ESTE MANUAL A CUALQUIER PERSONA QUE USE ESTE EQUIPO. LEA TODAS LAS INSTRUCCIONES ANTES DE OPERAR ESTA LAVADORA A PRESION, OBSERVANDO EN PARTICULAR LAS “ADVERTENCIAS DE SEGURIDAD” PARA EVITAR LA POSIBILIDAD DE LESIONES PERSONALES AL OPERADOR.

Escriba el número de serie de su unidad en el espacio provisto abajo, una vez que la unidad haya sido desempacada.

NUMERO DE SERIE _____



Inspeccione por daño el contenido de la caja. Si algo parece dañado, NO LA DEVUELVA AL LUGAR DE COMPRA. Llame a su representante de servicio al cliente de al 800-553-9053.

Por favor tenga disponible la información siguiente para todas las llamadas de servicio:

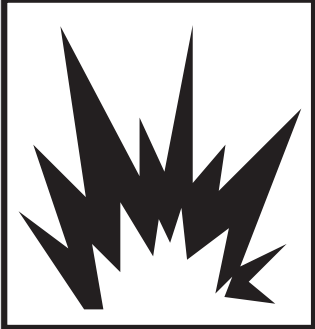

1. Número de modelo
2. Número de serie
3. Fecha y lugar de compra

Mi-T-M® Corporation
8650 Enterprise Drive
Peosta, IA 52068-0050

ADVERTENCIAS IMPORTANTES DE SEGURIDAD


Hazard	Potential Consequence	Prevention
<p style="text-align: center;">RIESGO DE DESCARGAS ELÉCTRICAS O ELECTROCUCIÓN</p> 	<p>Una incorrecta conexión a tierra del compresor de aire puede causar lesiones graves o incluso la muerte. Su compresor de aire es alimentado por corriente eléctrica que puede causar descargas eléctricas o electrocución, si no se usa correctamente.</p> <p>Las descargas eléctricas pueden ocurrir si no se usa correctamente el compresor de aire.</p> <p>Reparaciones de partes eléctricas realizadas por personal incapacitado puede causar lesiones graves o incluso la muerte.</p>	<p>La instalación de esta unidad, incluyendo todas las conexiones eléctricas, debe conformarse con todo el local, estado y códigos nacionales.</p> <p>Este producto debe ser puesto a tierra. Conecte con un interruptor de GFCI cuando esta' disponible. Si funciona incorrectamente la unidad o interrupción, el poner a tierra proporciona una trayectoria de menos resistencia para la corriente eléctrica para reducir el riesgo de la descarga eléctrica. No mueva a una línea de fuente de gas.</p> <p>La conexión incorrecta del conductor equipo-que pone a tierra puede dar lugar a un riesgo del electrocution. Compruebe con un electricista o un personal de servicio cualificado si usted es en duda si el sistema está puesto a tierra correctamente.</p> <p>Esté siempre seguro que la unidad está recibiendo voltaje apropiado Antes de instalar conexiones eléctricas, esté seguro que los interruptores están en la posición de "off".</p> <p>Mantenga todas las conexiones secas y de la tierra.</p> <p>No usar sin las protecciones de seguridad/coberturas o si éstas están dañadas.</p> <p>Cualquier operación de cableado o reparación eléctrica en debe ser realizado por personal autorizado, conforme a las normas eléctricas locales y nacionales.</p>
<p style="text-align: center;">RIESGO DE QUEMADURAS</p> 	<p>La herida grave podría ocurrir de tocar partes metálicas expuestas. Estas áreas pueden quedarse caliente durante un tiempo después de que la calentadora sea apagada.</p>	<p>Asegurarse que ninguna parte del cuerpo o de otros materiales entre en contacto con las partes metálicas expuestas del compresor de aire.</p>

ADVERTENCIAS IMPORTANTES DE SEGURIDAD






Hazard	Potential Consequence	Prevention
<p>RIESGO DE EXPLOSIÓN O DE INCENDIO</p> <div style="text-align: center;">   </div>	<p>Normales chispas eléctricas del motor y del interruptor de presión pueden causar lesiones graves e incluso la muerte.</p> <p>La herida grave puede ocurrir la entrada o salida del aire de la calentadora son bloqueadas.</p> <p>La herida o la muerte graves pueden ocurrir si combustibles impropios son utilizados, si calentadora esta operando al rellenar.</p> <p>SIEMPRE mantenga la calentadora en una superficie de estable y nivel. SIEMPRE mantenga a niños y animales lejos de calentadora.</p>	<p>Siempre opere calentadora en un área bien ventilada libre de vapores inflamables, polvo combustible, los gases u otras materias combustibles.</p> <p>Nunca ponga los objetos enfrente de entrada del aire (trasero) ni salida de aire (frente) de calentadora. Nunca utilice el trabajo de conducto en la frente ni en trasero de calentadora. Mantenga toda materia combustible lejos de esta calentadora.</p> <p>Nunca use combustibles como gasolina, el benceno, diluyentes de pintura, ni otro petróleo componen en esta calentadora. Esta calentadora está MUY CALIENTE mientras en la operación.</p> <p>Nunca transporte calentadora con combustible en su tanque.</p> <p>El almacenamiento del combustible del bulto debe ser un mínimo de 25 Pies de calentadoras, de las antorchas, de generadores portátiles, o de otras fuentes de ignición. Todo almacenamiento del combustible debe ser de acuerdo con federal, el estado, o las administración local que tienen jurisdicción.</p> <p>Nunca movimiento ni maneja calentadora mientras todavía caliente.</p> <p>SIEMPRE mantenga la calentadora en una superficie de estable y nivel. SIEMPRE mantenga a niños y animales lejos de calentadora.</p>

⚠ ADVERTENCIA: NUNCA DEJE DESATENDIDA LA CALENTADORA MIENTRAS ESTE ENCENDIDO O ESTE CONECTADA A UNA FUENTE ELÉCTRICO/ DE ALIMENTACIÓN, O CUANDO ESTE CONECTADA A UNA FUENTE DE COMBUSTIBLE.

ADVERTENCIAS IMPORTANTES DE SEGURIDAD

Hazard	Potential Consequence	Prevention
<p style="text-align: center;">RIESGOS A LA RESPIRACIÓN</p> 	<p>La herida o la muerte graves podrían ocurrir del fracaso para tener ventilación apropiada según este manual.</p>	<p>Esta es una calentadora del aire forcido que use queroseno y directo-despidió. El uso principal es para la calefacción temporaria de edificios en construcción, la modificación o la reparación. Los medios de directo-despidió que todos los productos de combustión de la calentadora entran el espacio calentado. Este aparato es valorado en 98% de eficiencia de combustión, pero produce cantidades pequeñas de monóxido de carbono. El monóxido de carbono es tóxico. Los humanos pueden tolerar cantidades pequeñas de monóxido de carbono, y las precauciones deben ser tomadas para proporcionar ventilación apropiada. El fracaso para proporcionar ventilación apropiada según este manual puede tener como resultado la muerte.</p> <p>Si no se suministra la adecuada ventilación indicada en este manual, se puede ocasionar la muerte. Las primeras etapas de intoxicación por monóxido de carbono producen síntomas similares a los de la gripe. Los síntomas que puede sufrir si la ventilación no es la adecuada son: * dolor de cabeza * mareo * irritación de la nariz y los ojos * náusea * boca seca * irritación de la garganta</p> <p>La abertura debe tener al menos 0.28 m² por cada 100,000 Btu de capacidad máxima.</p> <p>Las personas con problemas de respirar deben consultar a un médico antes de utilizar la calentadora. El Envenenamiento del Monóxido de carbono: Los signos tempranos de envenenamiento de monóxido de carbono se parecen a síntomas que son similares al gripe como dolores de cabeza, al mareo, y/o a la náusea. Si usted tiene estos síntomas, su calentadora no puede estar trabajando apropiadamente.</p> <p>¡Consiga aire fresco inmediatamente! La calentadora necesita atención pronto. Algunas personas son afectadas mas por monóxido de carbono que otros. Estos incluyen a mujeres embarazadas, éstos con problemas del corazón o problemas pulmonares, con la anemia, o con éstos ebrio, o a grandes altitudes. Nunca utilice esta calentadora en áreas de viviendo ni áreas durmientes.</p>

ADVERTENCIAS IMPORTANTES DE SEGURIDAD

-  PELIGRO DE INCENDIO, QUEMADURA, INHALACIÓN Y EXPLOSIÓN. MANTENGA LOS COMBUSTIBLES SÓLIDOS COMO, POR EJEMPLO, MATERIALES DE CONSTRUCCIÓN, PAPEL Y CARTÓN, A UNA DISTANCIA PRUDENCIAL DEL CALENTADOR SEGÚN LO RECOMIENDAN LAS INSTRUCCIONES. NUNCA USE EL CALENTADOR EN ESPACIOS QUE CONTENGAN O PUEDAN CONTENER COMBUSTIBLES VOLÁTILES O EN SUSPENSIÓN EN EL AIRE NI PRODUCTOS COMO, POR EJEMPLO, GASOLINA, DISOLVENTES, SOLVENTES DE PINTURA, PARTÍCULAS DE POLVO O QUÍMICOS DESCONOCIDOS.
-  RESIDENTES DE CALIFORNIA: ESTE CALENTADOR PRODUCE MONÓXIDO DE CARBONO, EL CUAL EL ESTADO DE CALIFORNIA IDENTIFICA COMO UNA TOXINA REPRODUCTIVA BAJO LA PROPUESTA 65.
-  RESIDENTES DE MASSACHUSETTS: LA LEY DEL ESTADO DE MASSACHUSETTS PROHÍBE EL USO DE ESTE CALENTADOR EN CUALQUIER EDIFICIO QUE SE UTILICE TOTAL O PARCIALMENTE PARA LA HABITACIÓN HUMANA. EL USO DE ESTE DISPOSITIVO DE CALEFACCIÓN EN MASSACHUSETTS REQUIERE LA AUTORIZACIÓN DEL DEPARTAMENTO DE BOMBEROS DE LA LOCALIDAD (M.G.L.C. 148, SECCIÓN 10A).
-  RESIDENTES DE LA CIUDAD DE NUEVA YORK: PARA USO SOLAMENTE EN LUGARES DE CONSTRUCCIÓN DE ACUERDO CON LOS CÓDIGOS APLICABLES DE LA CIUDAD DE NUEVA YORK. NÚM. DE APROBACIÓN DEL FDNY (DEPARTAMENTO DE BOMBEROS DE NUEVA YORK): 70T Y MH-0125-0M10 NÚM. DE APROBACIÓN DEL FDNY (DEPARTAMENTO DE BOMBEROS DE NUEVA YORK): 5101 PARA LOS MODELOS MH-0175-0M10.
-  EL CÓDIGO DE FUEGO DE LA CIUDAD DE NUEVA YORK PROHIBE EL ALMACENAJE, EL MANEJO, Y EL USO DE LAS CALENTADORAS ABASTECIDAS CON KEROSENO PARA LA CALEFACCIÓN ESPACIAL. CUALQUIERA PERSONA QUE VIOLA AQUELLA PROVISIÓN PUEDE SER CASTIGADA CON UNA MULTA DE HASTA 10.000 DÓLARES Y UN TÉRMINO DE ENCARCELAMIENTO HASTA 6 MESES.

 **¡GUARDE ESTAS INSTRUCCIONES!** 

ADVERTENCIA

LAS PAGINAS SIGUIENTES CONTIENEN INSTRUCCIONES DE OPERACION Y MANTENIMIENTO

NO TRATE DE OPERAR ESTA LAVADORA A PRESION HASTA QUE HAYA LEIDO Y ENTENDIDO TODAS LAS PRECAUCIONES E INSTRUCCIONES DE SEGURIDAD LISTADAS EN ESTE MANUAL.

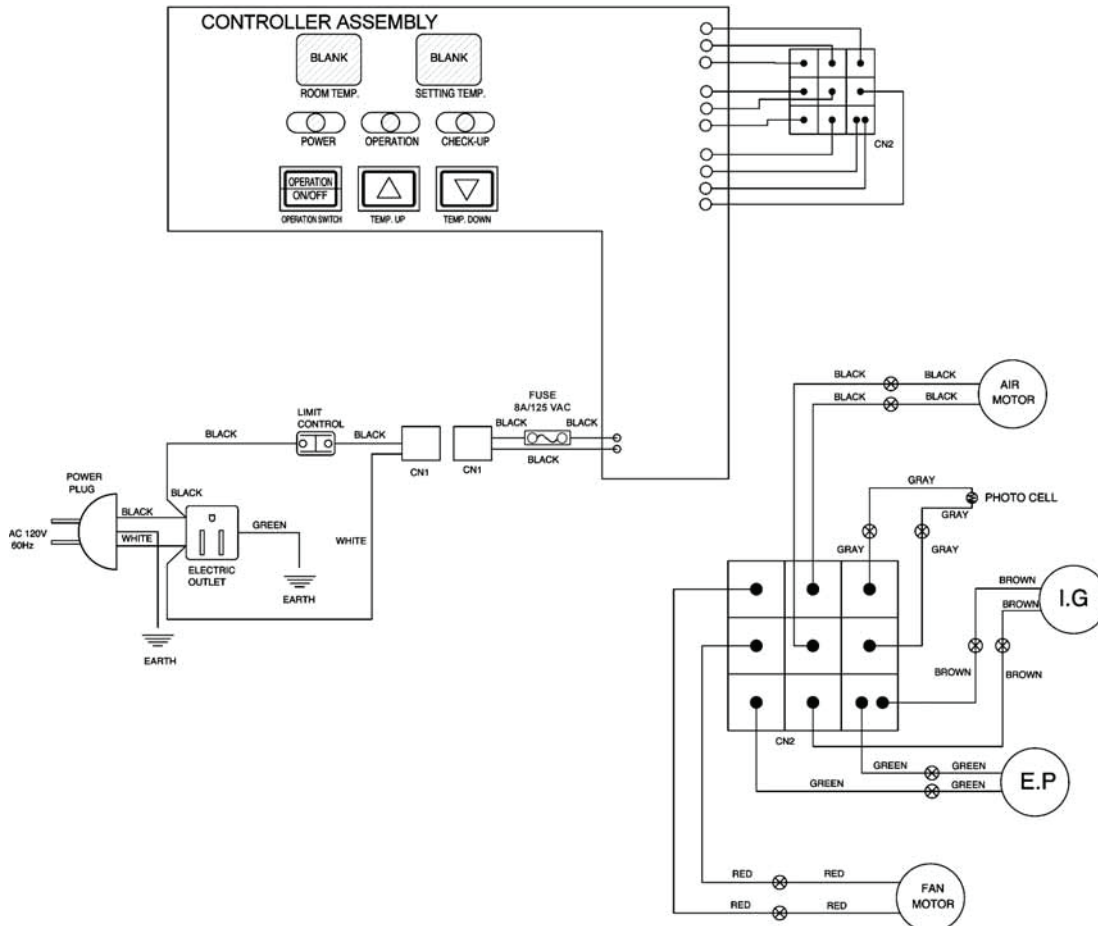
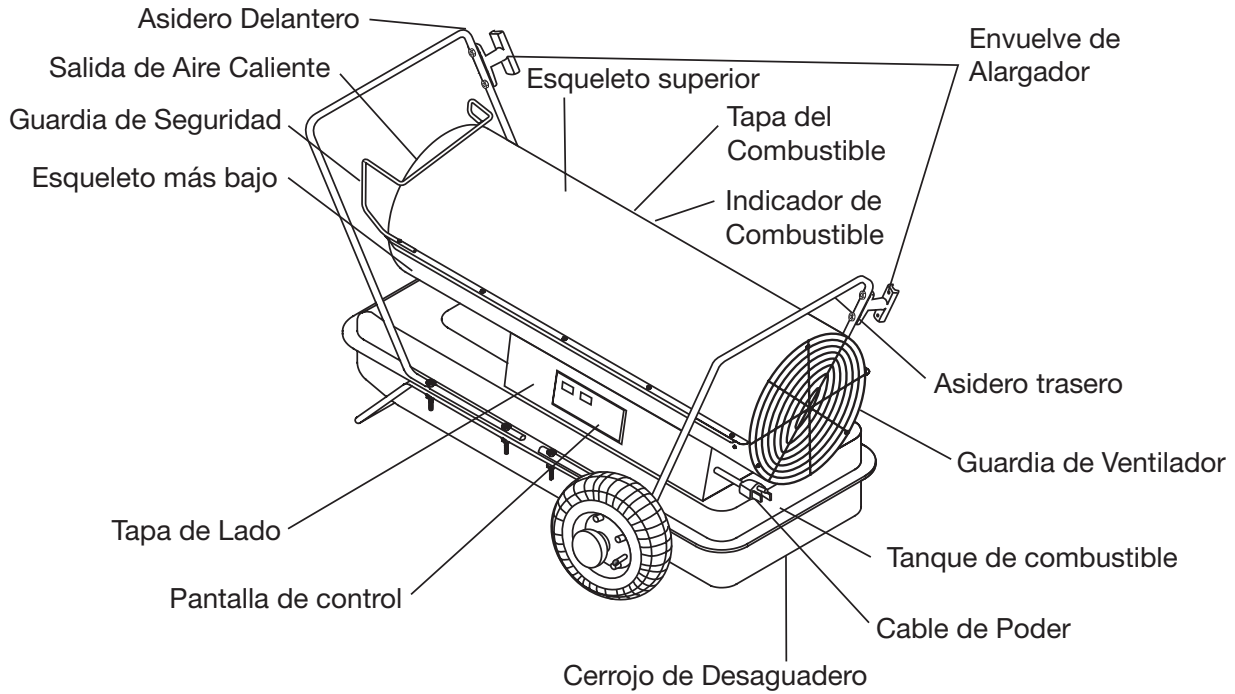
¡¡LA OPERACION INCORRECTA DE ESTA UNIDAD PUEDE CAUSAR LESIONES GRAVES!!

¡¡DE NINGUNA MANERA ALTERE O MODIFIQUE ESTE EQUIPO!!

**¡¡DE NINGUNA MANERA ALTERE O MODIFIQUE ESTE EQUIPO!!
NUNCA DEJE DESATENDIDO EL CALENTADOR MIENTRAS ESTE ESTE ENCENDIDO O ESTE CONECTADO A UNA FUENTE DE ALIMENTACION.**

IDENTIFICACIÓN DEL PRODUCTO

Model MH-0400-0M10

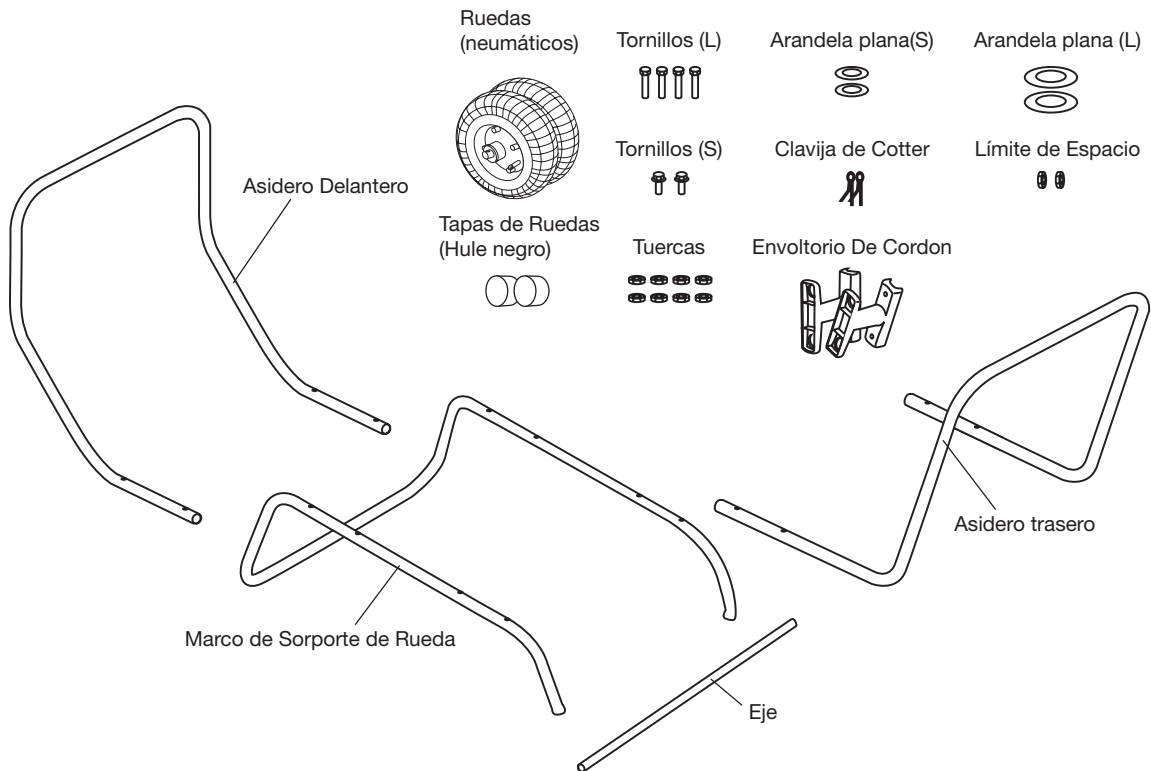


ESPECIFICACIONES

Modelo	MH-0400-0M10
Ritmo	400,000
Consumpcion Gal/Hora	3.0
Galones de capacidad del tanque de combustible	24.0
Presion de Bomba PSI	125
Voltaje/Hz	120V/ 60 Hz
Amperios	3.0
Fase	Sencillo
Tamano (Longitud x Ancho X altura)	53" x 30" x 36"
Peso Neto (Libras)	150

MONTAJE

COMPONENTES DEL MARCO



MONTAJE

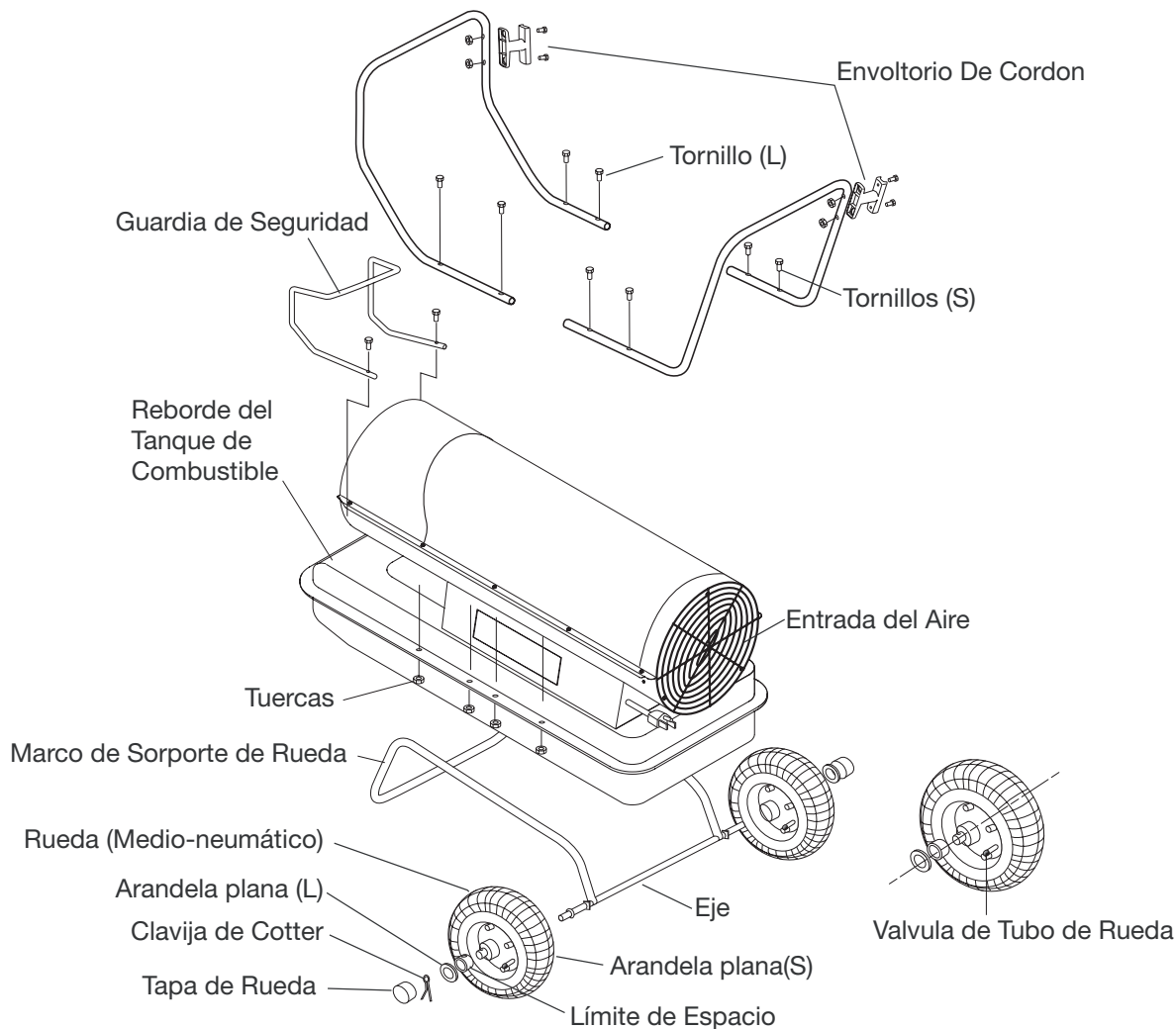
Nota: Herramientas necesarios para modelos un destornillador medio de Phillips , llave inglesa ajustable de fin abierto, tenazas

MONTANDO EL MARCO Y RUEDAS

1. Deslice eje por marco de soporte de rueda. Instale bujes de rueda, arandelas planas y rueda en el eje.
NOTA: Al instalar ruedas, válvula de tubo debe encarar fuera de marco de soporte.
2. Coloque arandelas planas (L) y alfileres de chaveta en fines de eje y alfileres de chaveta de curva con alicates con nariz largo para asegurar.
3. Coloque tapa de rueda en arandelas planas (L) y puso tapa de rueda en el fin de arandelas planas (L).
4. Coloque calentadora en el marco de soporte de rueda. Aségurese el fin de entrada del aire (trasero) de calentadora está sobre ruedas. Alinee los hoyos en el reborde de tanque de combustible. Inserte asideros (frente y trasero), reborde de tanque de combustible, y marco de soporte de rueda como mostrado en abajo y conecta tuerca dedo apretado después de que cada tornillo sea insertado.
5. Después de que todos tornillos sean insertados, aprieten tuercas firmemente.

⚠ PRECAUCION: NO OPERE CALENTADORA SIN REUNIO COMPLETAMENT DEL MARCO DE APOYO A TANQUE.

⚠ ADVERTENCIA: NUNCA DEJE DESATENDIDA LA CALENTADORA MIENTRAS ESTE ENCENDIDO O ESTE CONECTADA A UNA FUENTE ELÉCTRICO/ DE ALIMENTACIÓN, O CUANDO ESTE CONECTADA A UNA FUENTE DE COMBUSTIBLE.



OPERACION

QUEROSENO (1-K)

Para el desempeño óptimo de esta calentadora, es sugerido usar queroseno de 1 K. El queroseno de 1 K ha sido refinado para eliminar virtualmente contaminantes, como azufre, que puede causar un olor podrido de huevo durante la operación de la calentadora. Sin embargo, #1, #2 (gasóleo), JP-8 o Lanza en chorro (A) combustible también puede ser utilizado si queroseno de 1 K no está disponible. Es aconsejado que estos combustibles no queman limpia como como queroseno de 1 K, y el cuidado deben ser tomados para proporcionar ventilación aérea más fresca para acomodar ningún contaminante agregado que puede ser añadido al espacio calentado.

NOTA: El queroseno sólo debe ser almacenado en un contenedor azul que es marcado claramente "queroseno". Nunca almacene queroseno en un contenedor rojo. Rojo es asociado con gasolina.

- Nunca almacene queroseno en el espacio vital. El queroseno debe ser almacenado en un área bien ventilada fuera del área viva.
- Nunca combustible de uso como gasolina, el benceno, el alcohol, gas blanco, combustible de hornillo de camping, diluyentes de pintura, ni otro petróleo componen en esta calentadora (ESTOS SON COMBUSTIBLES VOLATILES QUE PUEDEN CAUSAR UN FUEGO O EXPLOSION)
- NUNCA almacene queroseno en la luz directa del sol ni cerca de una fuente de calor.
- Nunca uso queroseno que ha sido almacenado de una temporada al luego. El queroseno empeora con el tiempo. El QUEROSENO VIEJO NO QUEMARA APROPIADAMENTE EN ESTA CALENTADORA.
- Utilice queroseno de 1 K en esta calentadora. #1, #2 (gasóleo), JP-8, o combustible en Jet(A) son substitutos convenientes.

TEORIA DE OPERACION

Sistema de Combustible: Esta calentadora es equipada con una bomba de aire que opera lejos del motor eléctrico. La bomba fuerza aire por la línea aérea conectada al depósito, trayendo combustible a la boca en la cabeza de quemador. También aire pasa por la boquilla donde lo mezcla con el combustible y es rociado en la cámara de combustión en una niebla fina.

La Ignición de tiro rápido: Un transformador envía voltaje alto a una bujía de dos pinchas. La chispa enciende la mezcla de combustible/aéreo cuando es rociada en la cámara de combustión.

Sistema de Aéreo: Un ventilador gira por el motor pesado, que fuerza el aire alrededor y en la cámara de combustión, donde es súper-calentado y forzado fuera la frente de la cámara.

El Control del Límite de la temperatura: Esta calentadora es equipada con un Control de Límite de Temperatura diseñado para apagar la calentadora debe la subida interna de temperatura a un nivel peligroso. Si este dispositivo activa y gira su calentadora parar, puede requerir servicio. Cuando la temperatura se cae debajo de la temperatura del repuso, usted podrá comenzar su calentadora mas tarde.

La Protección de la Sistema eléctrica: La sistema eléctrica de las calentadoras es protegido por un cortacircuitos que protege los componentes de sistema del daño. Si la calentadora falla, verifica el fusible primero, y reemplaza si necesario.

Sensor de Llama: La calentadora utiliza una fotocelda para "ver" la llama en la cámara de combustión. Debe la llama extingue, el sensor parará corriente eléctrica y la calentadora apagará.



PRECAUCION: NUNCA LLENE EL DEPOSITO DENTRO. SIEMPRE LLENE EL TANQUE FUERA. ESTE SEGURO QUE LA CALENTADORA ESTA EN SUELO PLANO AL ABASTECER DE COMBUSTIBLE, Y NUNCA SATURAR EL DEPOSITO.



ADVERTENCIA: NUNCA RELLENE DEPOSITO CUANDO CALENTADORA OPERA O TODAVIA CALIENTE.

IMPORTANT: Es siempre una idea buena de despedir la calentadora fuera para el tiempo de puño. Esto permitirá cualquier óleos utilizado en el proceso industrial ser quemado en un ambiente seguro. Esta quemadura inicial debe durar por lo menos 10 minutos.



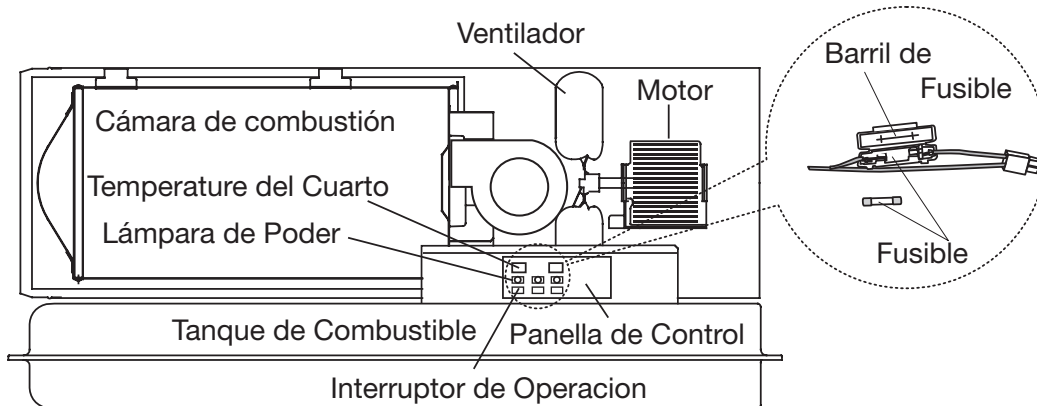
ADVERTENCIA: NUNCA DEJE DESATENDIDA LA CALENTADORA MIENTRAS ESTE ENCENDIDO O ESTE CONECTADA A UNA FUENTE ELÉCTRICO/ DE ALIMENTACIÓN, O CUANDO ESTE CONECTADA A UNA FUENTE DE COMBUSTIBLE.

OPERACION

VENTILACION

ADVERTENCIA: EL RIESGO DE CONTAMINACION ATMOSFERICA INTERIOR. UTILICE CALENTADORA SOLO EN AREAS BIEN VENTILADAS.

La abertura debe tener al menos 0.28 m² por cada 100,000 Btu de capacidad máxima.



SEPARACIONES

Las separaciones mínimas al enchufe son 8 pies. Mínimo de la tapa, de la parte posterior y de los lados de 4 pies.

COMENZAR LA CALENTADORA

1. Llene el tanque con queroseno hasta puntos de calibrador de combustible a "F".
2. Asegurese que la tapa del combustible esta segura.
3. Tape cable de alimentación en alargador de tres puntas y tape alargador en salida molio de tres punta 120V. El alargador debe ser por lo menos seis pies de largo.

- 6 a 10 pies de largo, para utilizar a 14 conductor de AWG.
- 101 a 200 pies de largo, para utilizar a 12 conductor de AWG.
- 201 a 300 pies de largo, para utilizar a 10 conductor de AWG.
- 301 a 400 pies de largo, para utilizar a 8 conductor de AWG.
- 401 a 500 pies de largo, para utilizar a 6 conductor de AWG.

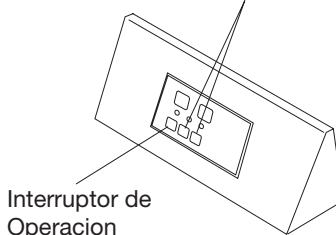
4. Empuje "BOTON DE OPERACION". La lámpara indicadora del poder y la presentación de la temperatura ambiente encenderán y la calentadora comenzará. Empuje los botones de arriba y abajo en el tablero de control para ajustar los ajustes de termostato.

Si calentadora no comienza, la colocación de termostato puede ser demasiado baja. Empuje el botón para "CONTROL TEMPORERO MAS ARRIBA" para tener posicion más alta para comenzar calentadora. Si calentadora todavía no comienza, vea Localizando fallas Gráfico.

NOTA: Los componentes eléctricos mayores de esta calentadora son protegidos por un cortacircuitos (fusible) eso es posicionado en el interruptor del poder. Si su calentadora falla de comenzar, verificar este primero y reemplazar como sea necesario. Usted también debe verificar su fuente de alimentación para asegurar ese voltaje y la frecuencia apropiado es suministrada a la calentadora.

NOTA: Cuando se usa gasóleo en temperaturas ambientes frías (debajo de 35° F) añadidas de combustible serán requeridas a prevenir el gasóleo de "endurecer". Siga las instrucciones mezcladas proporcionadas por el suministrador de añadidura de diesel para la proporción correcta de añadidura/combustible.

Botones de Control de la Temperatura



Interruptor de Operacion

ADVERTENCIA: NUNCA DEJE DESATENDIDA LA CALENTADORA MIENTRAS ESTE ENCENDIDO O ESTE CONECTADA A UNA FUENTE ELÉCTRICO/ DE ALIMENTACIÓN, O CUANDO ESTE CONECTADA A UNA FUENTE DE COMBUSTIBLE.

OPERACION

⚠ ADVERTENCIA: NUNCA DEJE DESATENDIDA LA CALENTADORA MIENTRAS ESTE ENCENDIDO O ESTE CONECTADA A UNA FUENTE ELÉCTRICO/ DE ALIMENTACIÓN, O CUANDO ESTE CONECTADA A UNA FUENTE DE COMBUSTIBLE.

PARAR LA CALENTADORA

⚠ ADVERTENCIA: NUNCA DESENCHUFE CALENTADORA MIENTRAS CALENTADORA ESTA OPERANDO.

La calentadora debe atravesar un ciclo de refrigeración. El ciclo de la refrigeración refresca la cámara de combustión. El daño a la calentadora puede ocurrir si cámara de combustión no es refrescada. No reinicie calentadora hasta ciclo de refrigeración es completo.

1. Empuje "BOTON DE OPERACION", Esto causará que llama de calentadora parar. El motor continuará correr durante el ciclo de refrigeración. Esto permite el ventilador para refrescar la cámara de combustión. Cuándo el ciclo de refrigeración (aprox. 2 minutos) es terminado, el motor parará. No desenchufe calentadora hasta la refrigeración ciclo es terminado
2. Desconecte calentadora de la fuente de alimentación.
3. Parar temporalmente calentadora, fijo el termostato en una temperatura mas baja que aire alrededor de calentadora. La calentadora irá en bicicleta atrás en si temperatura aérea alrededor de calentadora empareja colocación de termostato.

PARA REINICIAR LA CALENTADORA

⚠ CUIDADO: NO REINICIE CALENTADORA HASTA EL CICLO DE REFRIGERACION ES TERMINADO.

El ciclo de la refrigeración refresca la cámara de combustión.

1. Espera hasta el ciclo de refrigeración es terminado después de parar calentadora.
2. Repita pasos abajo de COMENZAR CALENTADORA.

ALMACENAMIENTO DE TIEMPO LARGO

1. Quite tuerca de desagadero del lado trasero inferior del tanque de combustible como destornillando tuerca y desagadero.
2. Utilizando una cantidad pequena de queroseno, remolina y aclara el dentro del tanque. **NUNCA MEZCLA EL AGUA CON QUEROSENO**, como causará oxidación dentro del tanque. Quite el queroseno , asegurándose de que usted lo quita todo.

IMPORTANTE: NUNCA ALMACENE QUEROSENO SOBRANTE DURANTE EL VERANO. UTILIZANDO COMBUSTIBLE VIEJO PUEDE DAÑAR SU CALENTADORA.

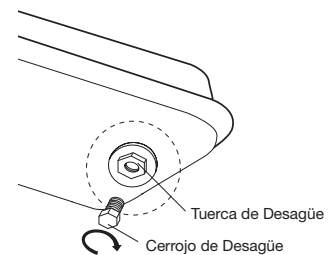
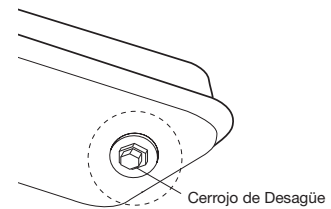
3. Reinstalar cerrojo de desagadero de la siguiente manera:

- Inserte cabeza del sello de cerrojo completamente en hoyo de desagadero para que reborde sea parejo al fondo del tanque.
- Inserte tapa de sello completamente en hoyo de cabeza para que reborde de tapa sea parejo dirigir reborde.

IMPORTANTE: Reinstalar el cerrojo completamente en hoyo en el tanque; de otro modo no sellará completamente.

- Asegúrese lugar de almacenamiento es libre de polvo y vapores corrosivos.
- Almacene la calentadora en la caja original con la original que empaca materia y mantiene el MANUAL de USUARIO con calentadora.

NOTA: la Utilización del diesel puede causar la producción de hollín de exceso.



MANTENIMIENTO

ADVERTENCIA: ¡NUNCA DAR SERVICIO A LA CALENTADOR MIENTRAS ESTA CONECTADO NI MIENTRAS CALIENTE!

Solo utilice repuestos originales de equipo. El uso de alterno o componentes de terceros pueden causar condiciones de funcionamiento peligrosas, y vaciar su garantía. Sugerimos seguir un horario de mantenimiento de la siguiente manera.

TANQUE DEL COMBUSTIBLE:

- Limpie cada 200 horas de operación o como necesitado.

HOJAS DE VENTILADOR

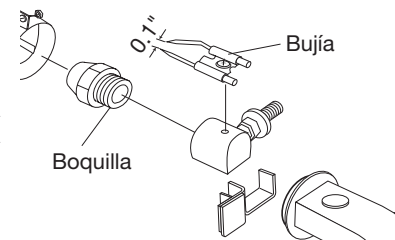
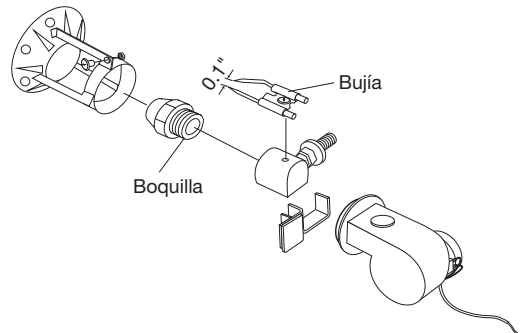
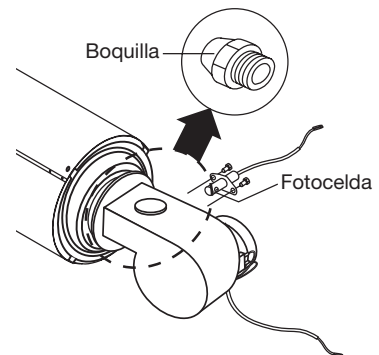
LIMPIE CADA TEMPORADA O COMO NECESITADO.

- Quite esqueleto superior (Ve entrada de filtro de aire).
- Use llave inglesa de Allen para aflojar tornillo fijo que tiene hoja de ventilador al eje de motor.
- Resbale hoja de ventilador de eje de motor.
- Limpie hoja de ventilador que utiliza tela suave que tiene queroseno o solvente.
- Seque hoja de ventilador completamente
- Reinstalar hoja de ventilador al eje de motor.
- Coloque el cubo del ventilador en la posición similar con fin del eje de motor.
- Coloque tornillo fijo en el fin plano del eje.
- Apriete tornillo firmemente (40-50 libras de pulgada/4,5-5,6 N-M). Reinstalar el esqueleto superior

BOQUILLA

Quite tierra en la boquilla como necesitado.

- Quite esqueleto superior.
- Quite combustible línea B de la assembly de quemador con una llave inglesa.
- Quite quemador cabeza de la assembly de quemador.
- Quite alambre principal de la bujía
- Quite bujía de la cabeza de quemador.
- Quite con cuidado boquilla de cabeza de quemador que utiliza la llave inglesa de enchufe.
- Mueva aire comprimido por la cara de la boquilla (Este quitará toda suciedad).
- Inspecte la boquilla para dañado. Reemplaza boca si dañado o atascado.
- Asegurese bujía esta en posición en la cabeza de quemador.
- Reinstalar boquilla en la cabeza de quemador y apriete firmemente (175-200 pulgada-libras).
- Reinstalar bujía en la cabeza de quemador
- Conecte quemador cabeza a la cámara de combustión.
- Conecte bujía alambre a la bujía
- Conecta combustible línea a la cabeza del quemador y aprieta firmemente.
- Reemplace esqueleto superior.
- Conecte ignitor alambre a la bujía
- Conecte combustible y mangas de línea de aire a la cabeza del quemador.
- Reinstalar hoja de ventilador y esqueleto superior.



ADVERTENCIA: NUNCA DEJE DESATENDIDA LA CALENTADORA MIENTRAS ESTE ENCENDIDO O ESTE CONECTADA A UNA FUENTE ELÉCTRICO/ DE ALIMENTACIÓN, O CUANDO ESTE CONECTADA A UNA FUENTE DE COMBUSTIBLE.

BUJIA

LIMPIA Y RECOLOCA cada 600 HORAS DE OPERACION O REEMPLAZA COMO NECESITADO.

- Quite esqueleto superior

MANTENIMIENTO

- Quite bujía alambre de la bujía.
- Quite bujía de cabeza de quemador que utiliza desatornillador medio de Phillips.
- Limpie y recolocque electrodos de bujía a 3,5 vacío de Mm (+ /- 0.5mm).
- Reinstalar bujía en la cabeza de quemador
- Conecte bujía alambre a la bujía
- Reinstalar esqueleto superior.

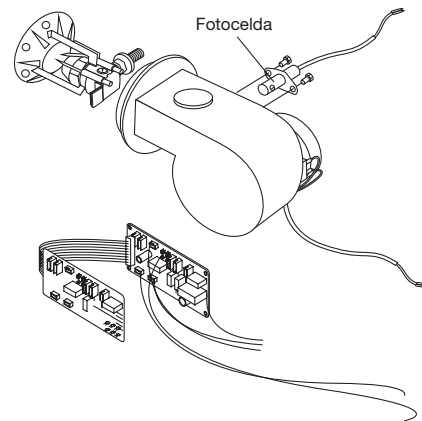
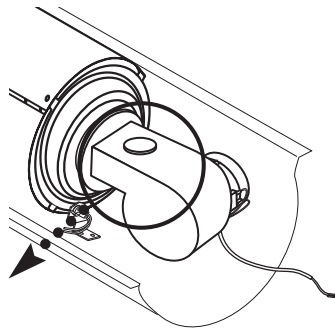
FOTOCELDA

LIMPIE FOTOCELDA ANUALMENTE O COMO NECESITADO.

- Quite esqueleto superior.
- Quite ventilador (Ve ventilador hojas).
- Quite fotocelda de su soporte de posición.
- Limpia lente de fotocelda con bastoncillo dealgodón.

Para REEMPLAZAR: Quite cobertura del lado cerca de interruptor de Operación.

- Disconnect wires from Operation switch and remove photocell.
- Desconecte alambres del tablero de circuitos y quite lado cobertura.
- Instale nueva fotocelda y conecte alambres tablero de circuitos.
- Reemplace alambres de interruptor al interruptor de la operación y la cobertura del lado
- Reemplace ventilador y esqueleto superior.

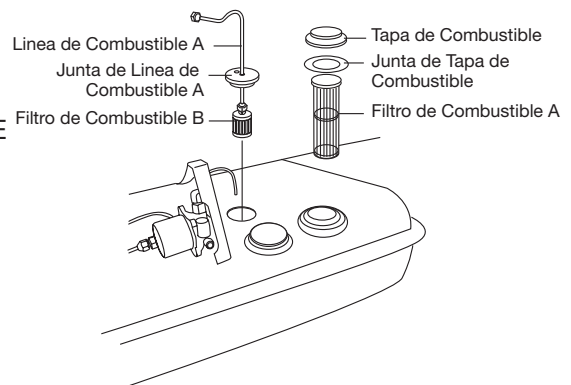


FILTRO DE COMBUSTIBLE

LIMPIE DOS VECES POR CALEFACCION TEMPORADA O COMO NECESITADO.

FILTRO DEL COMBUSTIBLE A EN TAPA DEL COMBUSTIBLE

- Quite tapa del combustible.
- Quite filtro de combustible con queroseno limpio.
- Lave filtro de combustible con queroseno limpio.
- Reemplace filtro de combustible en el tanque de combustible.
- Reemplace tapa del combustible en el tanque de combustible.



FILTRO DE COMBUSTIBLE B EN LA LINEA DE COMBUSTIBLE

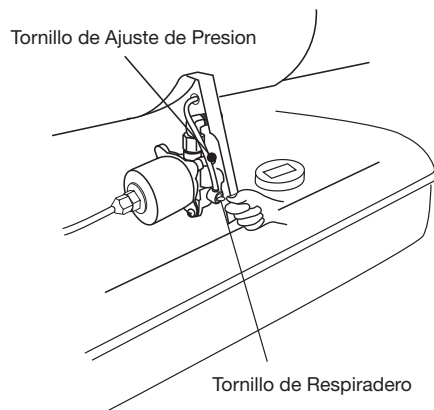
- Quite combustible línea A del surtidor de gasoline por utilizando la llave inglesa.
- Quite combustible línea del tanque de combustible por quitando la junta del filtro de combustible.
- Quite asamblea de filtro de combustible de la línea de combustible
- Lave filtro de combustible en el queroseno limpio.
- Reasamble el filtro de combustible en la orden inversa.

NOTA: la Utilización de la calentadora sin el mantenimiento apropiado puede causar la combustión pobre y la producción de hollín.

MANTENIMIENTO

AJUSTE DE PRESION DE BOMBA

1. Quite panel correcto de lado. (Si no utilizando un manómetro accesorio de combustible, se salta por favor a #4)
2. Quite el tornillo del respiradero.
3. Inserte el accesorio de indicador de la presión de combustible en salida de tornillo de respiradero.
4. Ajuste la presión de bomba por girando el tornillo de ajuste de presión.
5. Gire tornillo de ajuste de presión en sentido del agujas del reloj para aumentar la presión.
6. Gire tornillo de ajuste de presión en sentido opuesto de agujas del reloj para disminuir la presión.
7. Fija la presión de la bomba a 125 PSI (+/- 6PSI).



Recomendamos que el ajuste de la presión de bomba no sea necesitado si marcas rojas en el cuerpo de bomba y presión que tornillo de ajustan son alineadas uno con el otro.

NOTA: Utilice repuestos sólo originales de equipo. El uso de alterno o componentes terceros eliminarán cualquier garantía y pueden causar condiciones de funcionamiento peligrosas.

8. Pare calentadora (Ve OPERACION en este manual).
9. Si el accesorio de indicador de presión es utilizado, quite indicador de presión.
10. Reemplace indicador de presión, y el tapón en el fin de cobertura de filtro

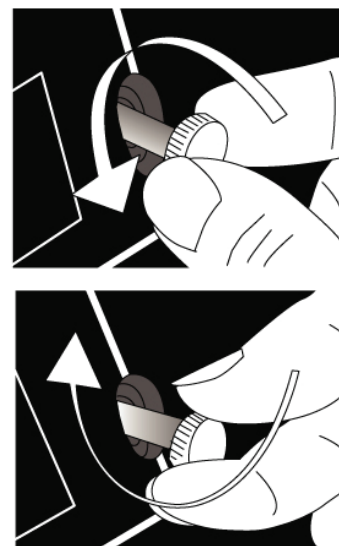
NOTA: Si calentadora no enciende cuándo calentadora esta en posición de ON, gira TORNILLO de RESPIRADERO en sentido opuesto a las agujas del reloj para soltar aire, entonces encender otra vez el INTERRUPTOR de OPERACION..

NOTA: Un accesorio está disponible para probar exacto de presión de combustible es un indicador de presión.

DIRECCIONES DEL PROCEDIMIENTO DEL TOMANDO EL AIRE

Si su calentadora no encenderá, la razón puede ser que hay aire atrapado en el surtidor de gasolina. El aire en el surtidor de gasolina causará que fracaso de ignición y muchas veces acompañado de un sonido fuerte de "moler" o sonido vibrante ser hecho por el surtidor de gasolina. Esta calentadora es diseñada para quitar algo aire en el surtidor de gasolina por seguir el Procedimiento del Tomando el Aire que está abajo:

1. Llene tanque de combustible con queroseno o No. 1 petróleo del combustible. Gire el Tornillo de Respiradero 3 tiempos en sentido opuesto a las agujas del reloj de la posición de fábrica de cerrada / sentido de las agujas del reloj en todo. (Este permitirá aire para escapar durante operación).
2. Comience la sucesión de ignición siguiendo los procedimientos estándar de ignición.
3. Permite la calentadora para tratando la ignición por 3-5 segundos, durante cuál tiempo usted puede oír un sonido fuerte de "moler" o sonido de vibración.
4. Si su calentadora no ha encendido, reinicia la sucesión de ignición. Una vez que la calentadora ha encendido, gire el Tornillo de Respiradero a la derecha hasta completamente mano apretada.



Todo aire atrapado en el surtidor de gasolina habrá sido purgado.

5. Ahora su calentadora está lista para la operación.
6. Rellene su calentadora con combustible antes de no tiene nada. Este prevendrá las líneas de combustible y surtidor de gasolina del trayendo en el aire y teniendo que atravesar en el procedimiento de tomando en el aire otra vez.

NOTA: la Utilización de la calentadora sin el mantenimiento apropiado puede causar la combustión pobre y la producción de hollín.

⚠ ADVERTENCIA: NUNCA DEJE DESATENDIDA LA CALENTADORA MIENTRAS ESTE ENCENDIDO O ESTE CONECTADA A UNA FUENTE ELÉCTRICO/ DE ALIMENTACIÓN, O CUANDO ESTE CONECTADA A UNA FUENTE DE COMBUSTIBLE.

LOCALIZACION DE FALLAS

SINTOMA

La calentadora despide, pero Principal PCP apaga la calentadora después de un tiempo corto. La lámpara parpadea, y pantalla de LED muestra "E1"

La calentadora no operará, o el motor opera por un tiempo corto. La lámpara parpadea y la pantalla de LED muestra "E1".

Ventile no opere cuándo calentadora es conectada y Interruptor del poder esta en posición de "ON". La lámpara parpadea o pantalla de LED muestra "E1" o "E2".

La lámpara parpadea o pantalla de LED muestran "E3"

La lámpara parpadea o pantalla de LED muestran "E4"

La lámpara parpadea o pantalla de LED muestran "E5"

Poor Combustion

Heater does not turn on

CAUSA PROBABLE

1. La presión inexacta de bomba
2. Filtro de Combustible Sucio
3. Boquilla está Sucia
4. El lente de la fotocelda está Sucio
5. La fotocelda no instaló apropiadamente
6. La fotocelda es Defectuosa
7. La conexión eléctrica impropia entre Principal PCB y la Fotocelda.

1. Ningún queroseno en el tanque del combustible
2. La presión inexacta de la bomba
3. Bujía corroída o vacío del tapón incorrecto
4. Filtro de Combustible Sucio
5. Boquilla Sucia
6. Humedad en el Tanque / Tanque de combustible
7. La conexión eléctrica impropia entre Transformador y Tablero de circuitos
8. Alambre de Ignitor no conecta a la Bujía
9. Ignitor defectuoso
10. El aire en la línea del Combustible
11. La temperatura ambiente debajo de 35°F

1. El termostato esta en posición demasiado bajo
2. La conexión eléctrica esta rota entre Principal PCB y el motor

1. El Interruptor del termostato ha fallado
2. Circuito Corto

1. El sensor es Desconectado

1. El sensor del límite de la temperatura ha recalentado

1. Las llamas que extienden más allá de calentadora salida baja de calor

1. No power supply to heater

REMEDIOS

1. Ajuste Presión de Bomba
2. Limpia/reemplaza El Filtro del Combustible
3. Limpia/reemplaza la boquilla
4. Limpia/reemplaza la Fotocelda
5. Ajuste la posición de Fotocelda.
6. Reemplace Fotocelda
7. Verifique las conexiones de alambre. (Vea diagramas de Alambre)

1. Llene tanque con queroseno fresco
2. Ajuste la Presión de Bomba
3. Limpia/reemplaza la Bujía
4. Limpia/reemplaza de combustible
5. Limpia/reemplaza la boquilla
6. Lave tanque con queroseno que es limpio y fresco
7. Inspeccione todas conexiones eléctricas. Vea Diagramas de Alambre.
8. Reconecte alambre de Ignitor a la Bujía
9. Reemplace Ignitor
10. Tome el aire de la línea
11. Agregue añadiduras de combustible para mantener combustible fluido.

1. Gire termostato a una posición más alta
2. Inspeccione todas conexiones eléctricas. Vea Diagramas de Alambre

1. Reemplace Interruptor de Termostato.
2. Vea Diagramas de Alambre

1. Verifique termostato de control de límite
2. Verifique conexión de sensor

1. Espere hasta que la unidad se enfríe

1. Alinee la marca roja entre el tornillo del aéreo de tornillo y el cuerpo de bomba.

1. Cheque/reemplaza el Fusible



GARANTIA LIMITADA

Garantía limitada de protemp. Por un año. Mi-T-M le garantiza al Usuario original que los modelos tratados en este manual de los calentadores de aceite portátiles Protemp® están libres de defectos en la mano de obra o el material, cuando se les somete a uso Normal, por un año a partir de la fecha de compra. Cualquier parte que se halle defectuosa, ya sea en el material o en la mano de obra, y sea devuelta (con los costos de envío pagados por Adelantado) a un centro de servicio autorizado designado por Mi-T-M, será reparada o reemplazada (no Existe otra posibilidad) según lo determine Mi-T-M. Para obtener información sobre los procedimientos de reclamo cubiertos en la garantía limitada, vea la sección "atención oportuna" que aparece más adelante. Esta garantía limitada confiere al comprador derechos legales específicos que varían de Jurisdicción a jurisdicción.

Limites de responsabilidad. En la medida en que las leyes aplicables lo permitan, la responsabilidad de Mi-T-M por los daños emergentes o incidentales está expresamente excluida. La responsabilidad de Mi-T-M expresamente está limitada y no puede exceder el precio de compra pagado por el artículo. Exclusión de responsabilidad de la garantía. Se han hecho esfuerzos diligentes para proporcionar información e ilustraciones apropiadas sobre el producto en este manual; sin embargo, esta información y las ilustraciones tienen como único propósito la identificación del producto y no EX-PRESAN NI IMPLICAN GARANTÍA DE QUE LOS PRODUCTOS SEAN VENDIBLES O ADECUADOS PARA UN PROPÓSITO EN PARTICULAR NI QUE SE AJUSTAN NECESARIAMENTE A LAS ILUSTRACIONES O DESCRIPCIONES. CON EXCEPCIÓN DE LO QUE SE ESTABLECE A CONTINUACIÓN, MI-T-M NO HACE NI AUTORIZA NINGUNA GARANTÍA O AFIRMACIÓN DE HECHO, EXPRESA O IMPLÍCITA, QUE NO SEA ESTIPULADA EN LA "GARANTÍA LIMITADA" ANTERIOR. Consejo Técnico y Recomendaciones, Exclusiones de Responsabilidad. A pesar de las prácticas, negociaciones o usos comerciales realizados previamente, las ventas no deberán incluir el suministro de consejo técnico o asistencia o diseño del sistema. Mi-T-M no asume ninguna obligación o responsabilidad por recomendaciones, opiniones o consejos no autorizados sobre la elección, instalación o uso de los productos. Adaptación del Producto. Muchas jurisdicciones tienen códigos o regulaciones que rigen la venta, la construcción, la instalación y/o el uso de productos para ciertos propósitos que pueden variar con respecto a los aplicables a las zonas vecinas. Si bien se trata de que los productos Mi-T-M cumplan con dichos códigos, no se puede garantizar su conformidad y no se puede hacer responsable por la forma en que se instale o use su producto. Antes de comprar y usar el producto, revise su aplicación y todos los códigos y regulaciones nacionales y locales aplicables y asegúrese de que el producto, la instalación y el uso los cumplan. Ciertos aspectos de limitación de responsabilidad no se aplican a productos al consumidor; es decir (a) algunas jurisdicciones no permiten la exclusión ni limitación de daños incidentales o consecuentes, de modo que las limitaciones o exclusiones anteriores quizás no apliquen en su caso; (b) asimismo, algunas jurisdicciones no permiten limitar el plazo de una garantía implícita, por lo tanto, la limitación anterior quizás no aplique en su caso; y (c) por ley, mientras la Garantía Limitada esté vigente no podrán excluirse ni limitarse en modo alguno ninguna garantía implícita de comercialización o de idoneidad para un propósito en particular aplicables a los productos al consumidor adquiridos por éste. Atención Oportuna. Se hará un esfuerzo de buena fe para corregir puntualmente, o hacer otros ajustes, con respecto a cualquier producto que resulte defectuoso dentro de los términos de esta garantía limitada. En el caso de que encuentre un producto defectuoso y que esté cubierto dentro de los límites de esta garantía haga el favor de escribir primero, o llame, al distribuidor a quien le compró el producto. El distribuidor le dará las instrucciones adicionales. Si no puede resolver el problema en forma satisfactoria, escriba a Mi-T-M a la dirección a continuación, dando el nombre del distribuidor, su dirección, la fecha y el número de la factura del distribuidor y describa la naturaleza del defecto. La propiedad del artículo y el riesgo de pérdida pasan al comprador en el momento de la entrega del artículo a la compañía de transporte. Si el producto se daña durante el transporte, debe presentar su reclamo a la compañía transportista.

**For Service or Warranty Consideration, contact
Mi-T-M® Corporation, 8650 Enterprise Drive, Peosta, IA 52068
563-556-7484 / 800-553-9053 / Fax 563-556-1235
Monday - Friday 8:00 a.m. - 5:00 p.m. CST**

Manufactured by Mi-T-M
8650 Enterprise Drive, Peosta IA 52068
563-556-7484/ Fax 563-556-1235